

United States Patent [19]

Wright

[11] Patent Number: **Des. 314,350**

[45] Date of Patent: **** Feb. 5, 1991**

[54] LEVEL

[76] Inventor: **Randall J. Wright**, 2000 Moraine End, Delafield, Wis. 53018

[**] Term: **14 Years**

[21] Appl. No.: **215,911**

[22] Filed: **Jul. 6, 1988**

[52] U.S. Cl. **D10/69**

[58] Field of Search D10/61, 65, 66, 67, D10/68, 69, 70, 71; 33/365, 366, 367, 368, 369, 370, 371, 372, 373, 374, 375, 376, 377, 378, 379, 380, 381, 382, 383, 384, 385, 386, 387, 388, 389, 451, 483, 484, 485, 486, 487, 488, 489, 490, 491, 492, 493, 494

3,190,010 6/1965 Johnson 33/381
 3,752,566 8/1973 Mathews 33/451 X
 4,130,943 12/1978 Talbot 33/374
 4,435,908 3/1984 Semler, Jr. D10/69 X
 4,531,301 7/1985 Tau 33/382
 4,607,437 8/1986 McSorley, Sr. et al. D10/69 X

Primary Examiner—Nelson C. Holtje
Assistant Examiner—Antoine D. Davis
Attorney, Agent, or Firm—Jones, Day, Reavis & Pogue

[57] CLAIM

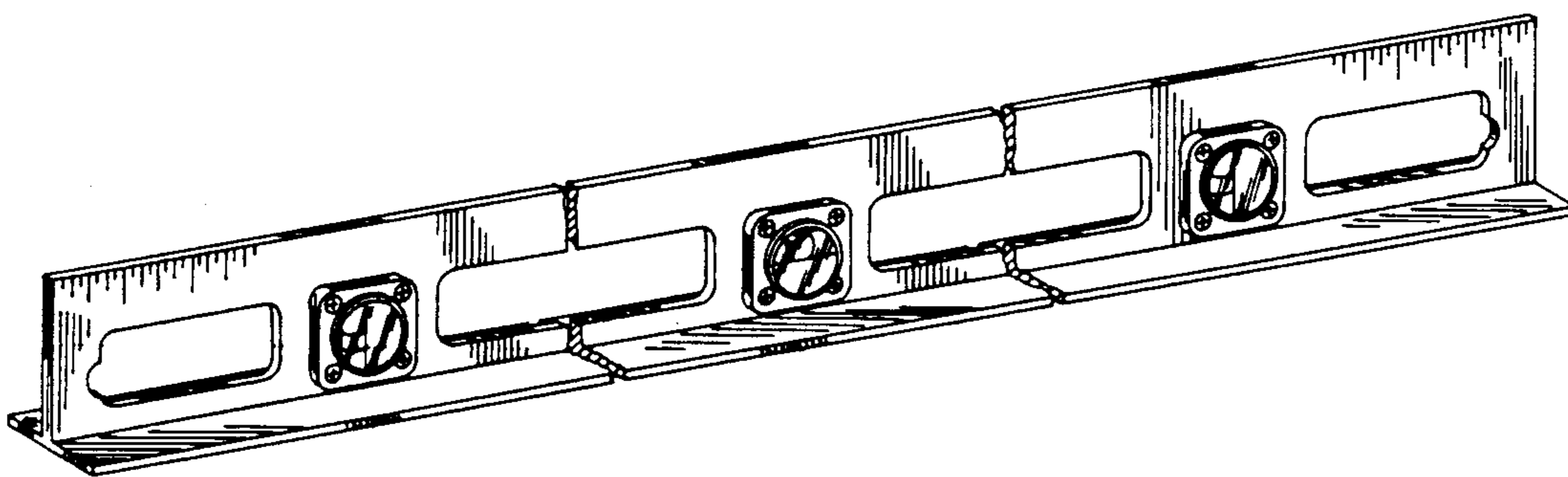
The ornamental design for a level, as shown and described.

DESCRIPTION

FIG. 1 is a top, front, and left side perspective view of a level showing my new design;
 FIG. 2 is a rear elevational view;
 FIG. 3 is a top plan view;
 FIG. 4 is a right side elevational view;
 FIG. 5 is a top, front, and left side perspective view of an embodiment of FIGS. 1-4;
 FIG. 6 is a rear elevational view;
 FIG. 7 is a top plan view; and
 FIG. 8 is a right side elevational view thereof.

[56] **References Cited**
U.S. PATENT DOCUMENTS

D. 211,754	7/1968	Wullschlegel	D10/69
D. 257,330	10/1980	VanderWerf	D10/69
D. 269,255	6/1983	Olson	D10/69
D. 288,539	3/1987	VanderWerf	D10/69
D. 308,644	6/1990	Butler et al.	D10/69
1,493,164	5/1924	Schade	33/381



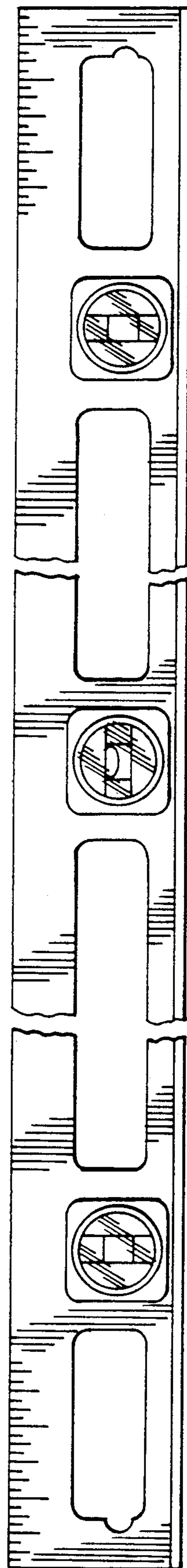
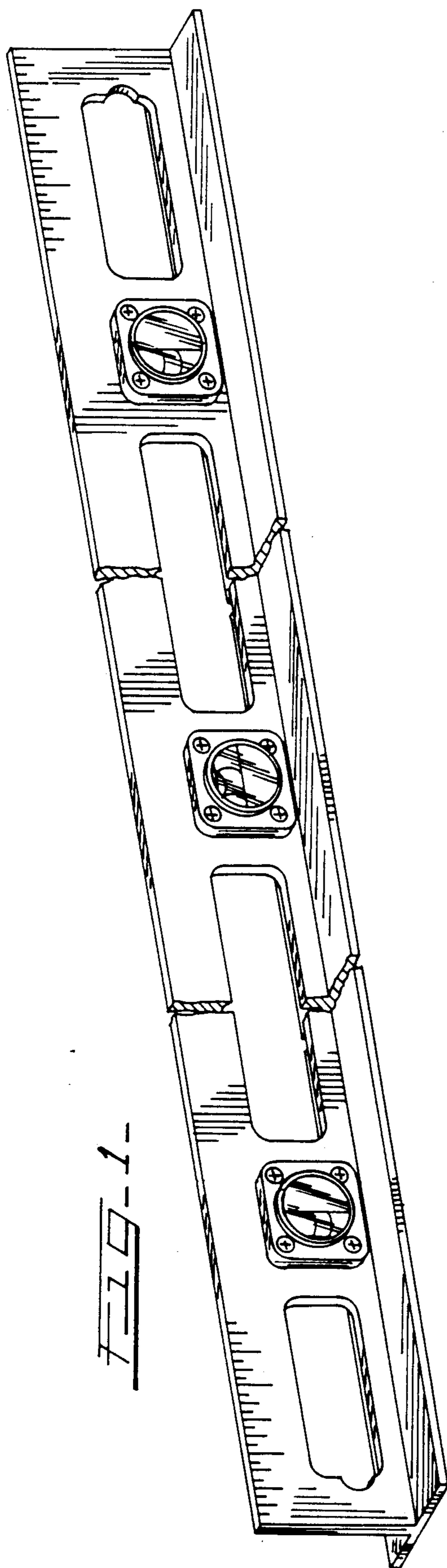


FIG. 3-

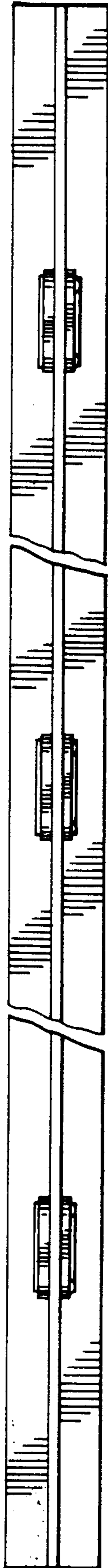
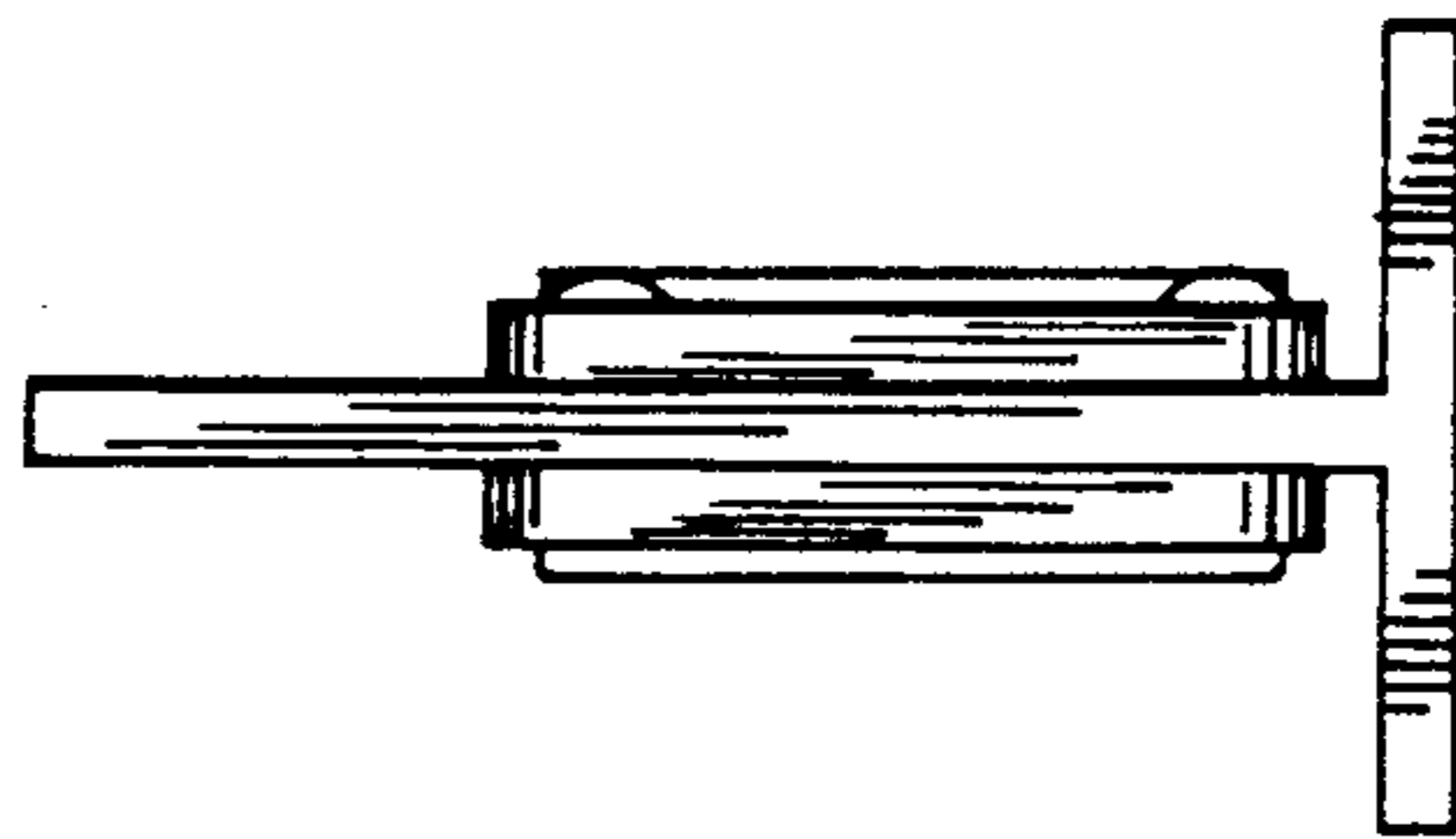


FIG. 4-



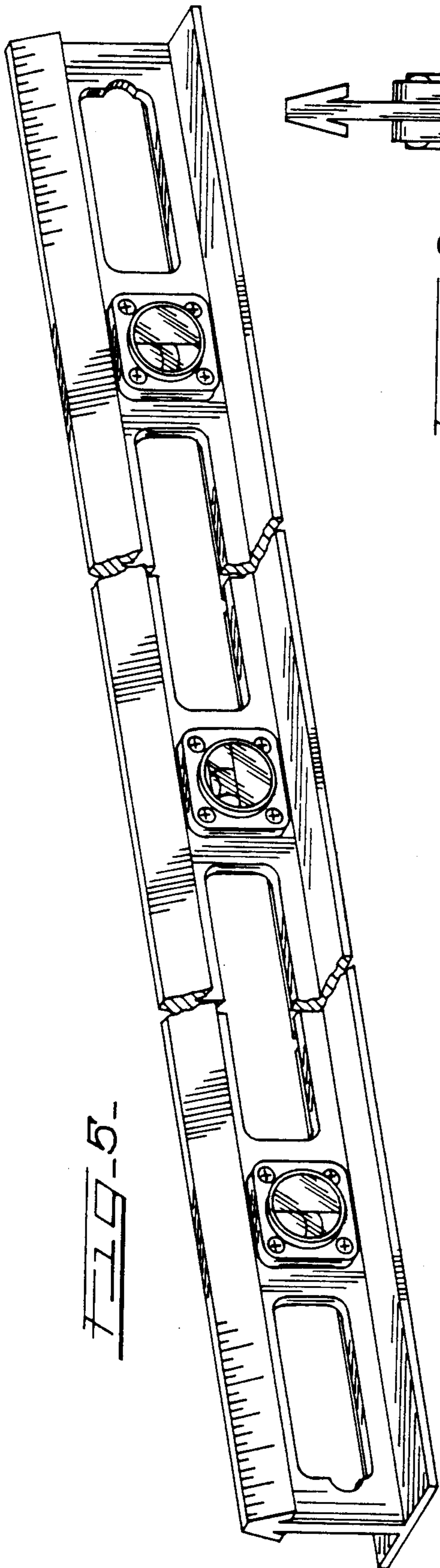


Fig. 5-

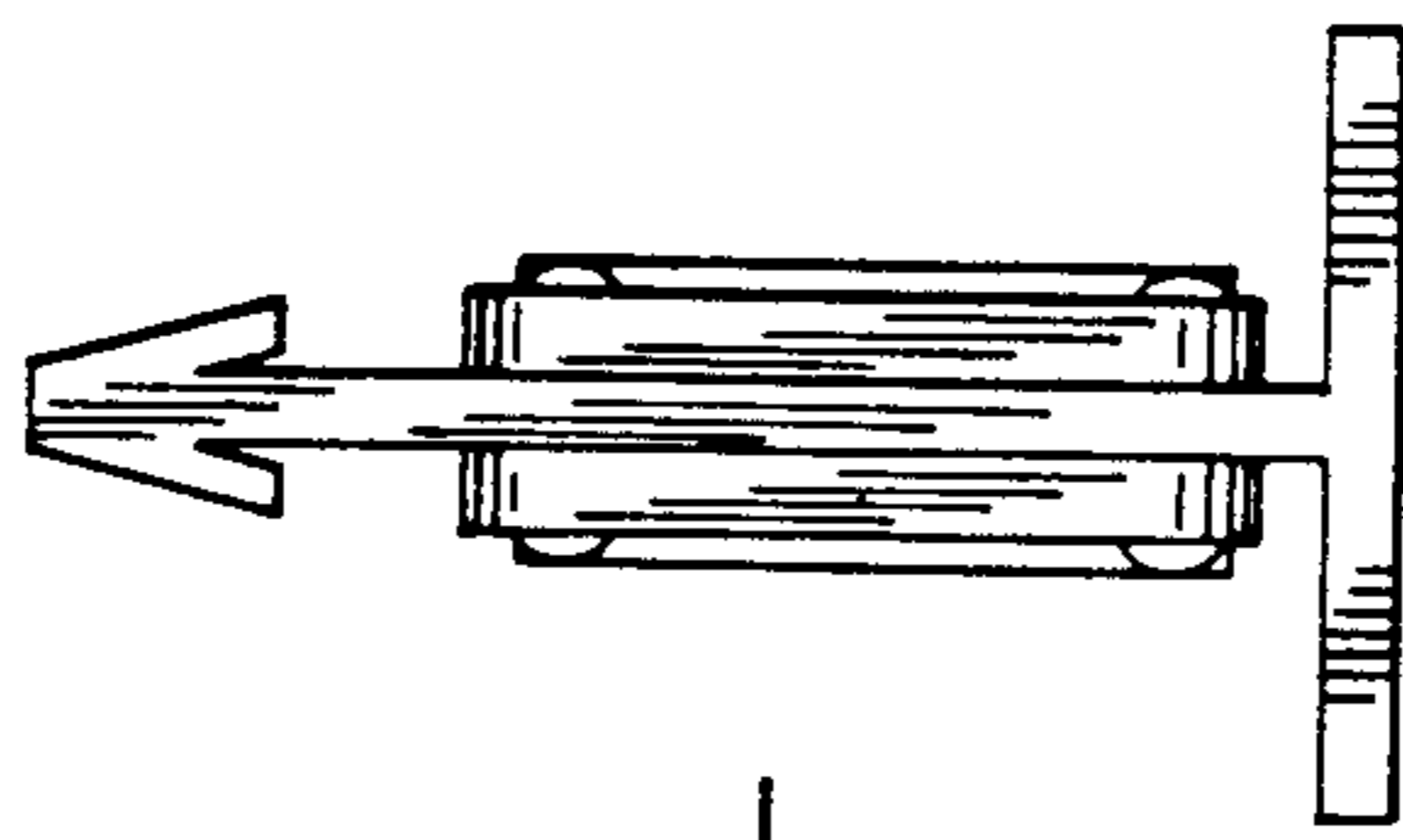


Fig. 8-

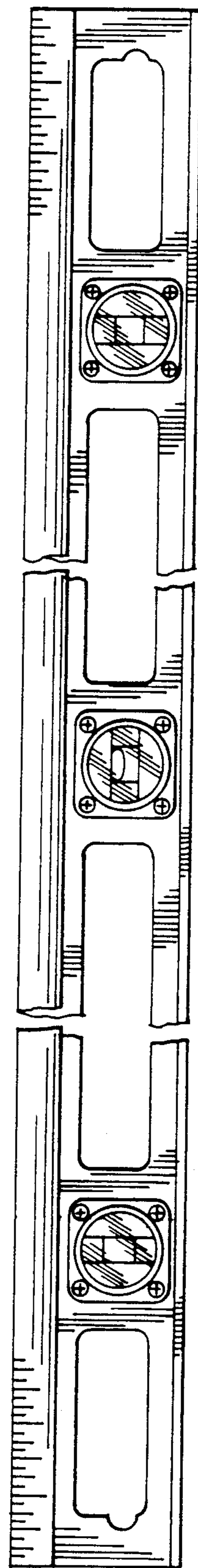


Fig. 6-

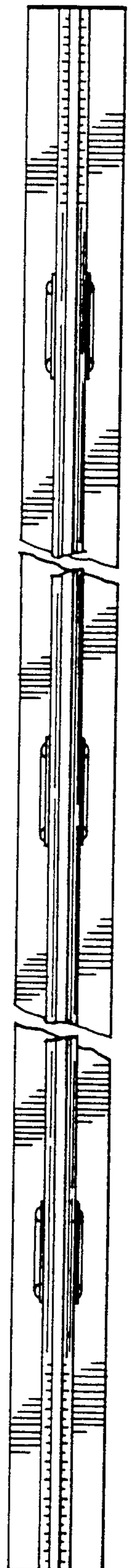


Fig. 7-