

[54] DEPTH SOUNDER

[75] Inventors: Earl W. Spencer, Montgomery; James Evans, Prattville, both of Ala.

[73] Assignee: Microsonics, Inc., Columbus, Ga.

[**] Term: 14 Years

[21] Appl. No.: 145,254

[22] Filed: Jan. 19, 1988

[52] U.S. Cl. D10/46; D10/70

[58] Field of Search D10/46, 70; 33/719, 33/730; 340/744-745, 753-754, 815.1, 815.03; 342/42, 46, 47; 367/97, 107-108, 110-111

[56] References Cited

U.S. PATENT DOCUMENTS

D. 191,581	10/1961	Scharfenberg	D10/70 X
D. 279,766	7/1985	Honda	D10/46
D. 281,148	10/1985	Highstreet	D10/70
D. 289,265	4/1987	Wood	D10/46
D. 296,767	7/1988	Wood	D10/46
D. 301,841	6/1989	Imazeki	D10/46
4,644,512	2/1987	Griik	D10/70 X
4,829,493	5/1989	Bailey	367/111

OTHER PUBLICATIONS

Popular Science, 2/1979, p. 94.
Boat/U.S. Catalog, 1/1984, p. 167, Model 1022.
Boat/U.S. Catalog, 1/1984, p. 169, top right.
Boat/U.S. Catalog, 1/1984, p. 170, top left.

Primary Examiner—Nelson C. Holtje
Assistant Examiner—Gary D. Watson
Attorney, Agent, or Firm—Jennings, Carter, Thompson & Veal

[57] CLAIM

The ornamental design for a depth sounder, as shown and described.

DESCRIPTION

FIG. 1 is a front perspective view of a depth sounder showing my new design; FIG. 2 is a rear perspective view; FIG. 3 is a front elevational view; FIG. 4 is a rear elevational view; FIG. 5 is a top plan view; FIG. 6 is a bottom view thereof; and FIG. 7 is a left side elevational view, the right being a mirror image thereof.

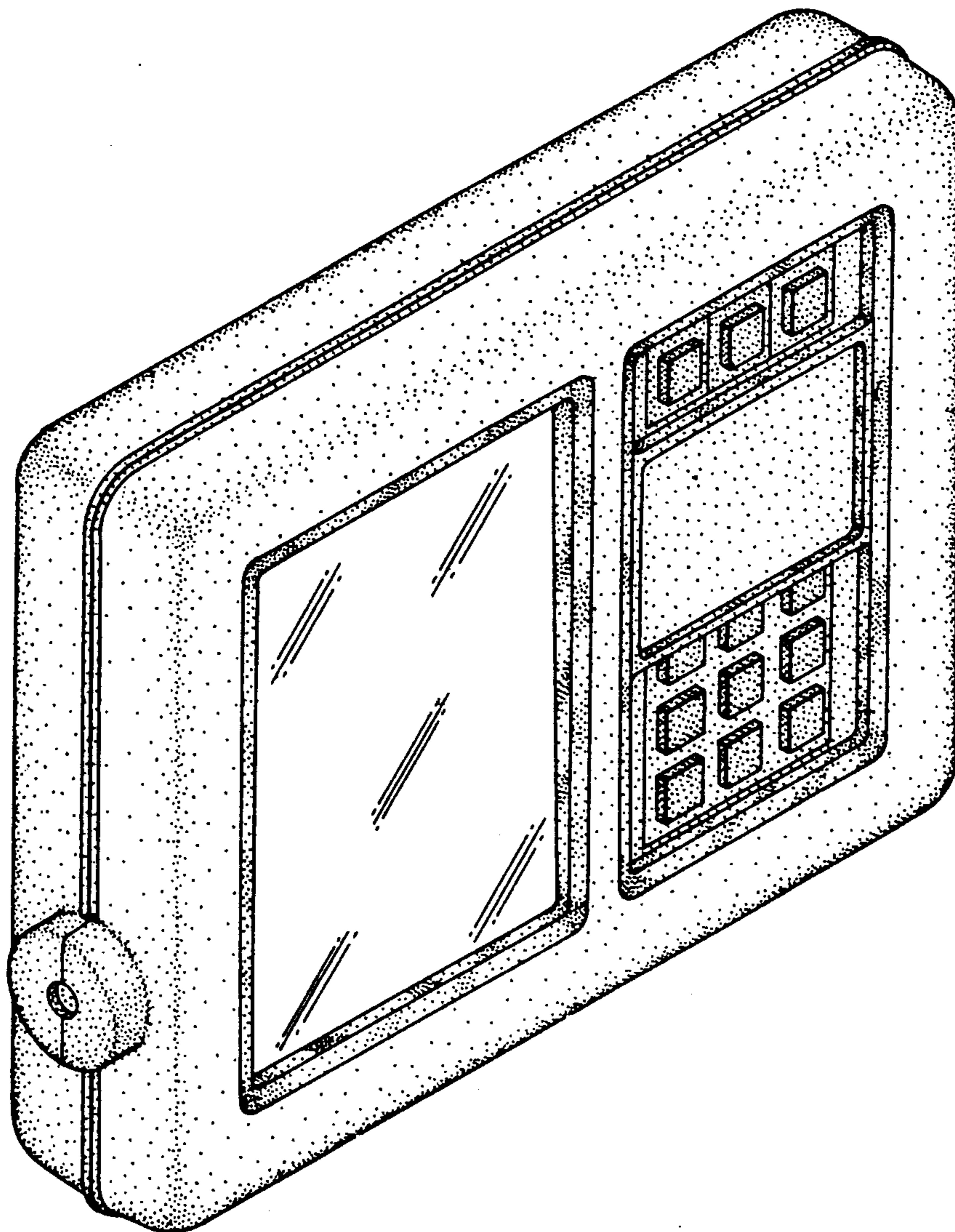


Fig. 1

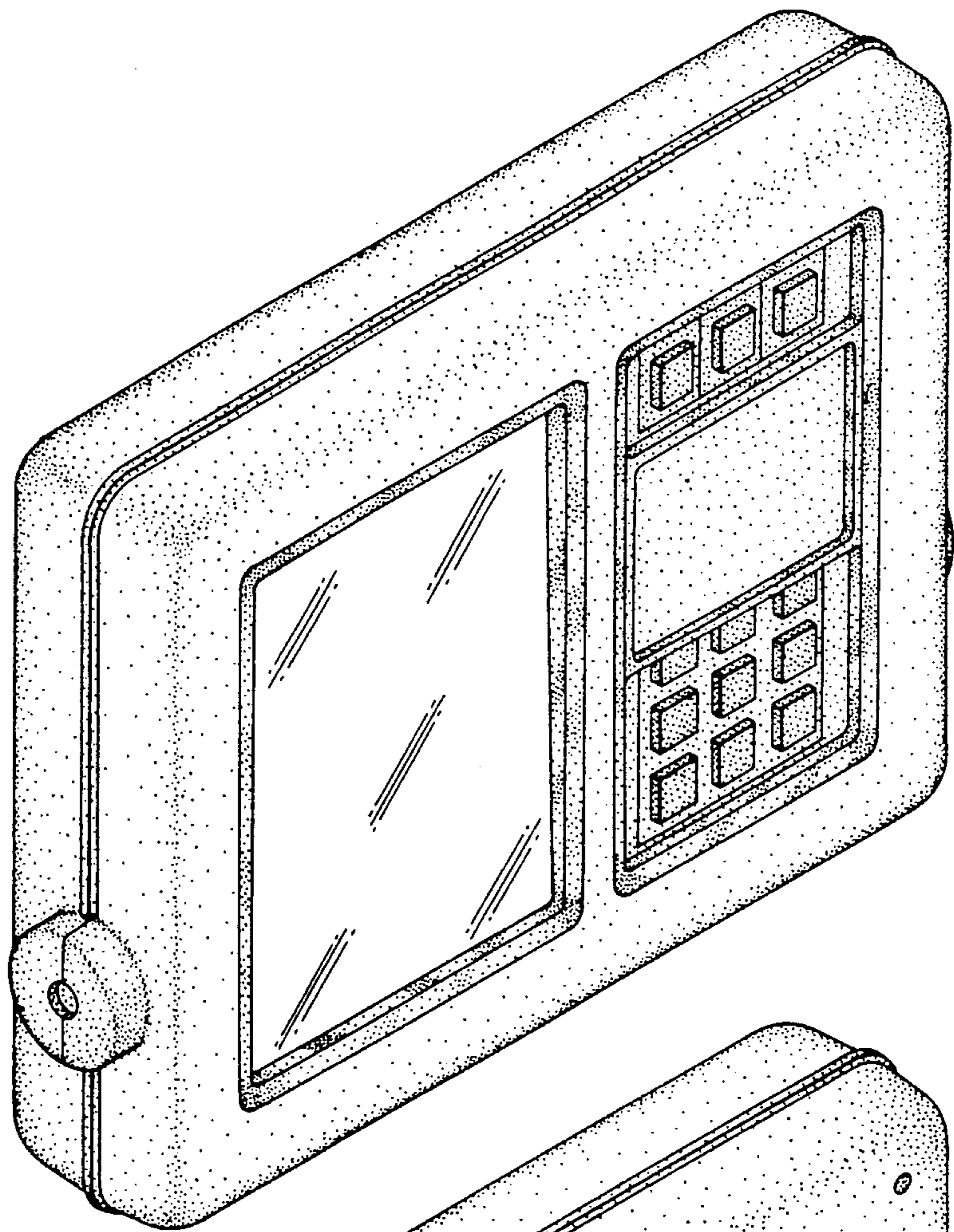


Fig. 2

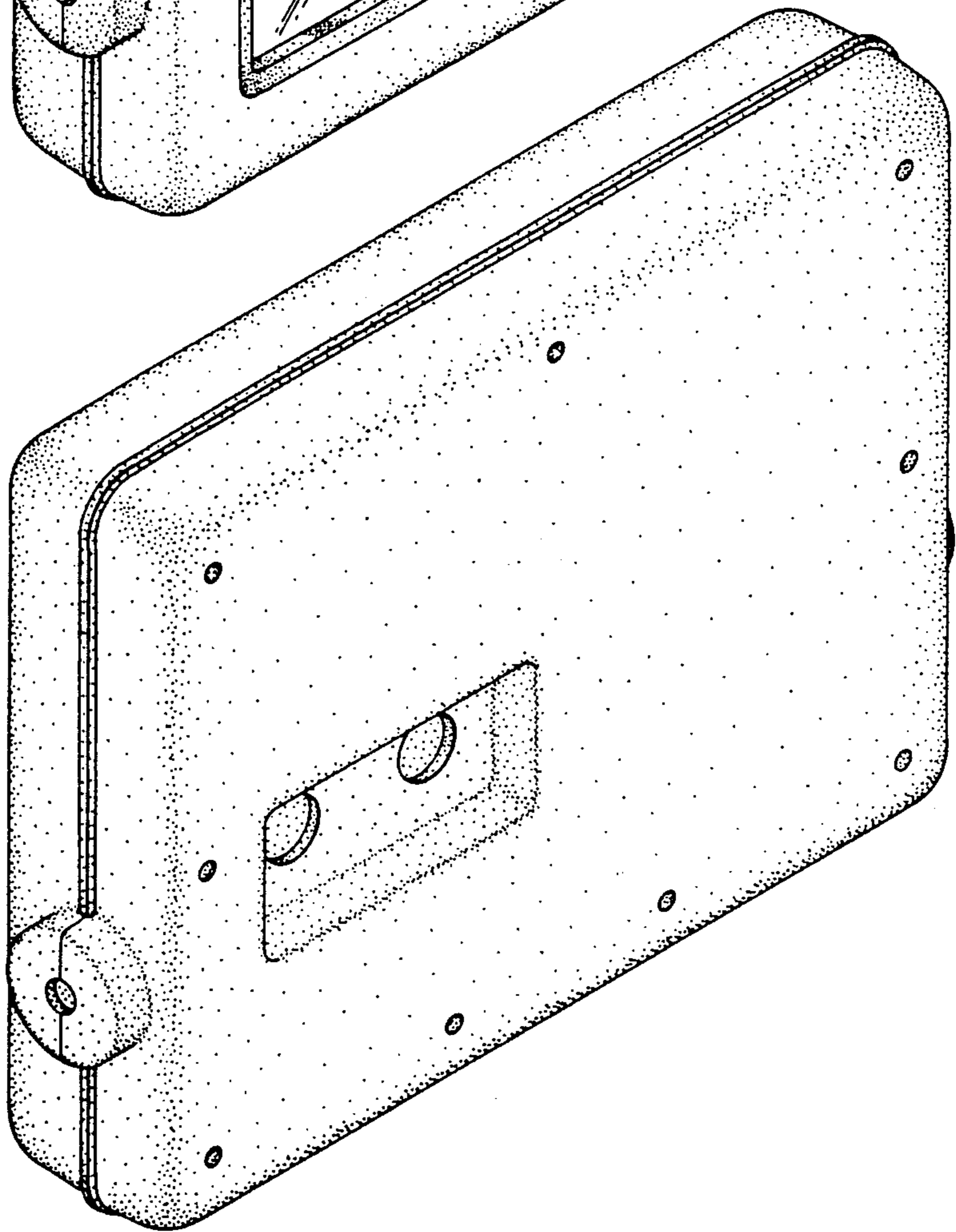


Fig. 3

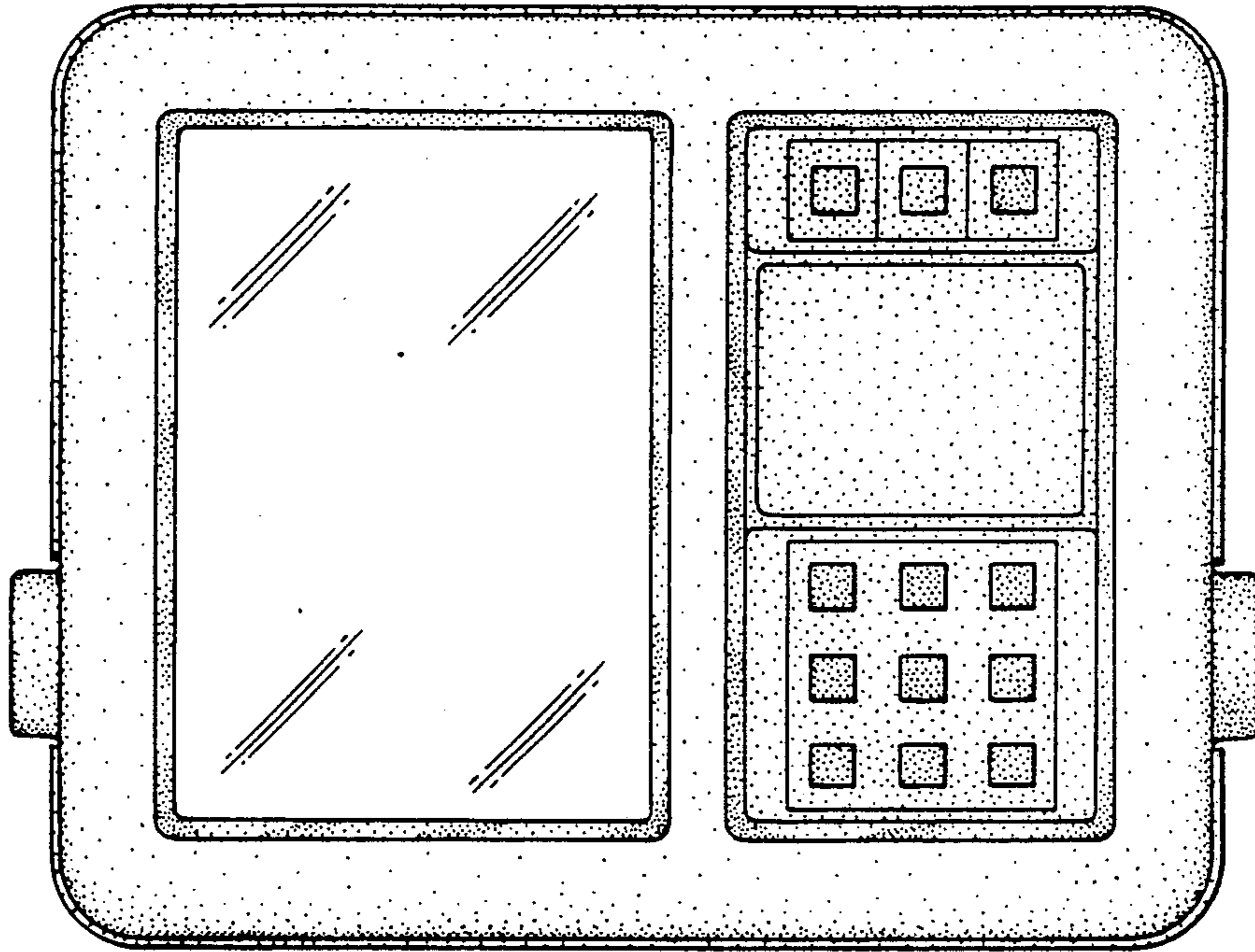


Fig. 4

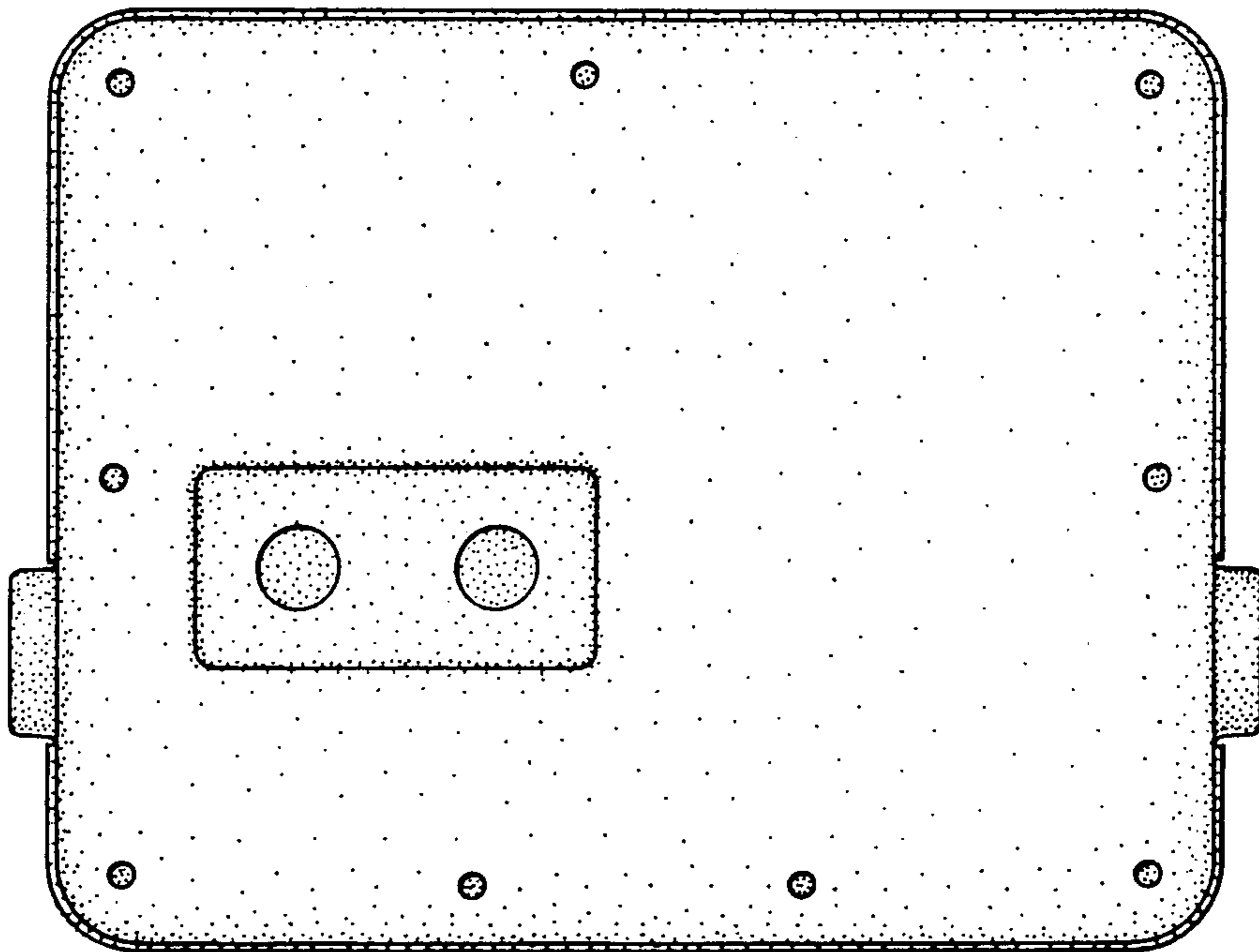


Fig. 5

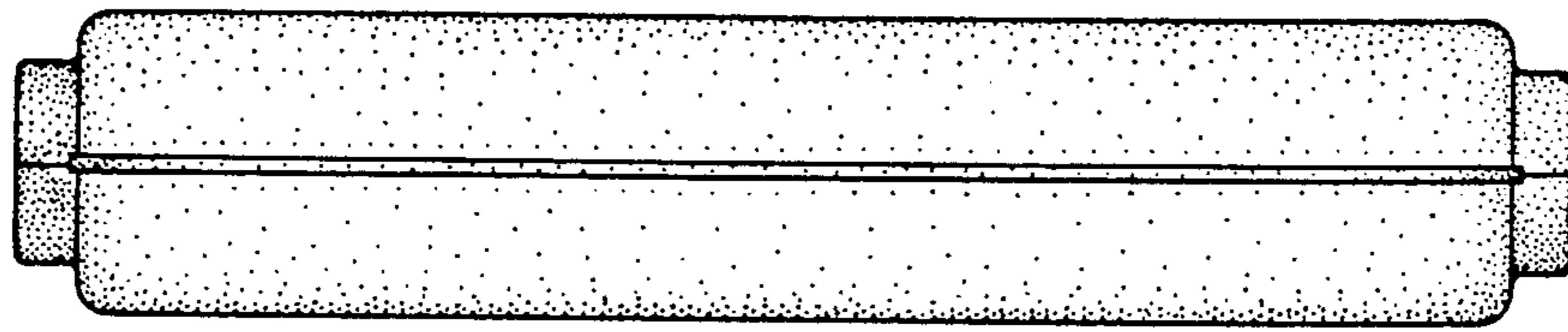


Fig. 6

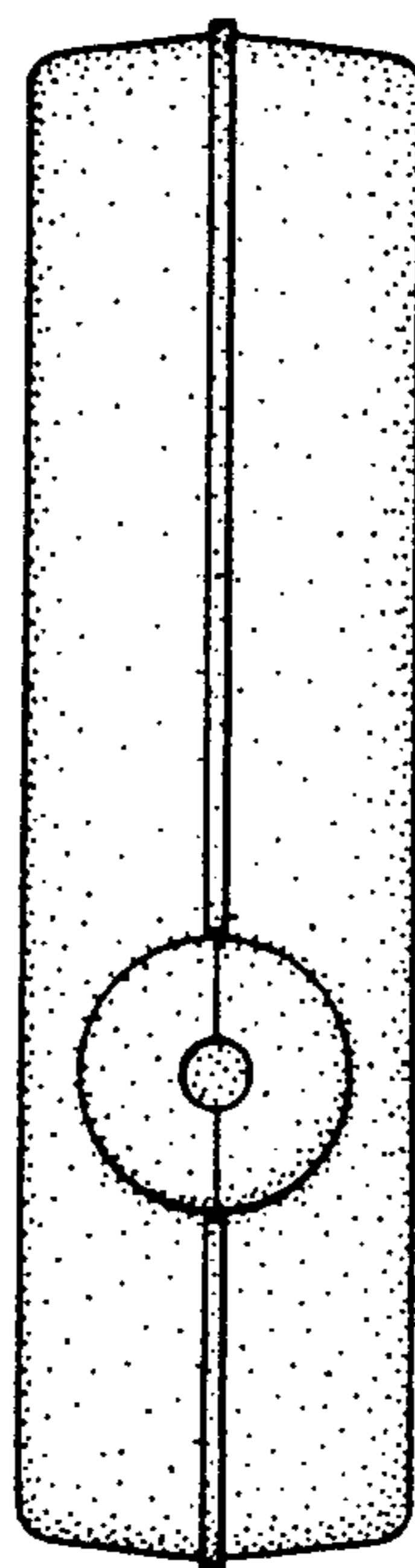
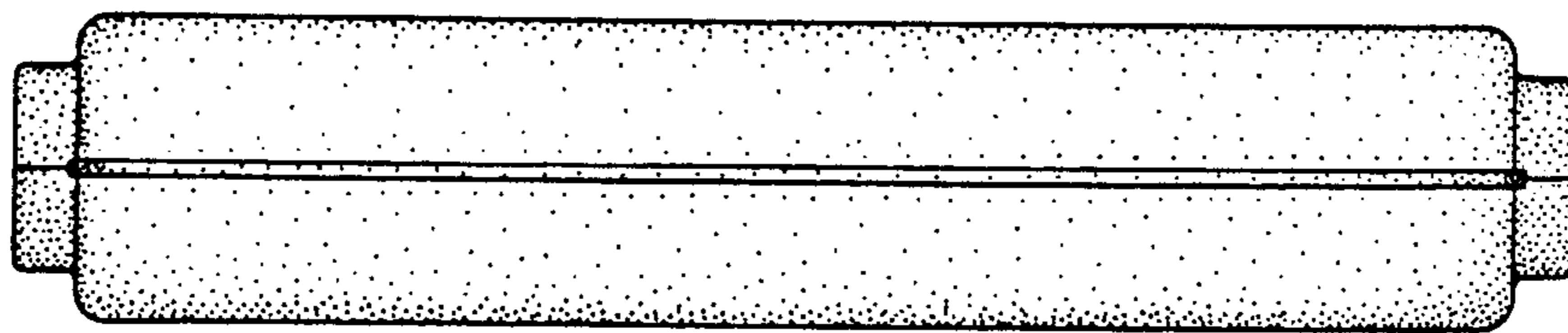


Fig. 7