

[54] PRESENTATION BOX AND CONTENTS

[75] Inventors: Robert E. Newell, Pinner; Paul K. Rand, Hitchin, both of England

[73] Assignee: Glaxo Group Limited, London, England

[\*\*] Term: 14 Years

[21] Appl. No.: 504,429

[22] Filed: Apr. 3, 1990

Related U.S. Application Data

[62] Division of Ser. No. 18,954, Feb. 25, 1987.

[52] U.S. Cl. .... D9/418

[58] Field of Search ..... D9/418, 424, 425, 428, D9/430, 337, 341, 342; 206/45.31, 45.33, 203, 45.19, 207, 83, 315.1, 6.1, 368, 5.1; D3/30.1; D24/56

[56] References Cited

U.S. PATENT DOCUMENTS

D. 152,555 2/1949 Millard ..... D9/418

D. 257,585	12/1980	Neuwirth .....	D9/425
D. 263,561	3/1982	Wong .....	D9/424 X
D. 265,977	8/1982	Strongwater .....	D9/430 X
D. 286,137	10/1986	Huck et al. ....	D9/341 X
D. 291,947	9/1987	Nakata .....	D3/30.1 X
D. 294,970	3/1988	Marienfeld .....	D24/56 X
4,467,551	8/1984	Pulver .....	206/315.1 X
4,494,651	1/1985	Malcolm .....	206/45.34

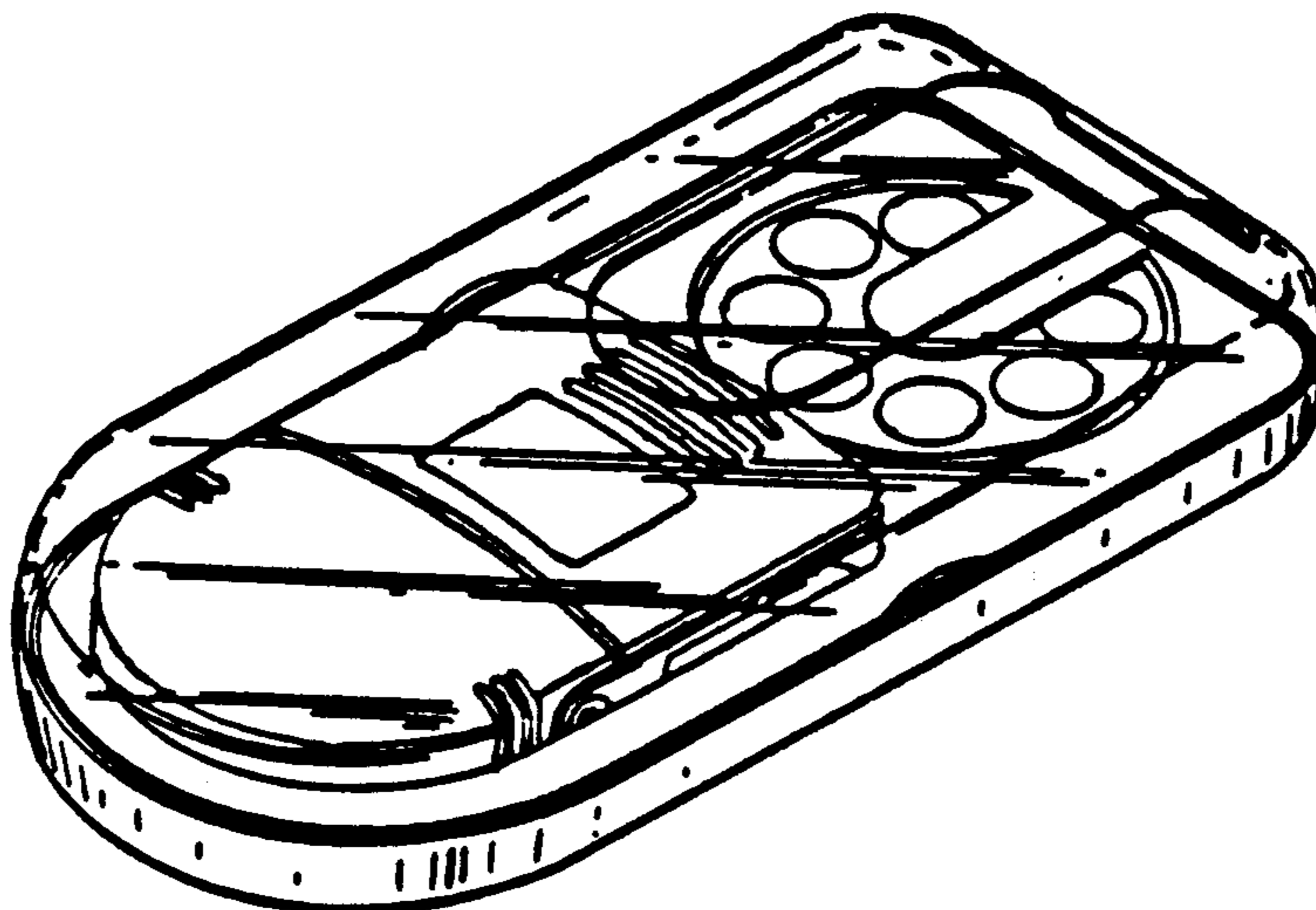
Primary Examiner—Bernard Ansher  
Assistant Examiner—Prabharar Deshmukh  
Attorney, Agent, or Firm—Darby & Darby

[57] CLAIM

The ornamental design for a presentation box and contents, as shown and described.

DESCRIPTION

FIG. 1 is a perspective view of a presentation box and article showing our new design;  
FIG. 2 is a bottom plan view thereof;  
FIG. 3 is a top plan view thereof;  
FIG. 4 is a side elevation view thereof;  
FIG. 5 is an elevation view of one end thereof; and  
FIG. 6 is an elevation view of the other end thereof.



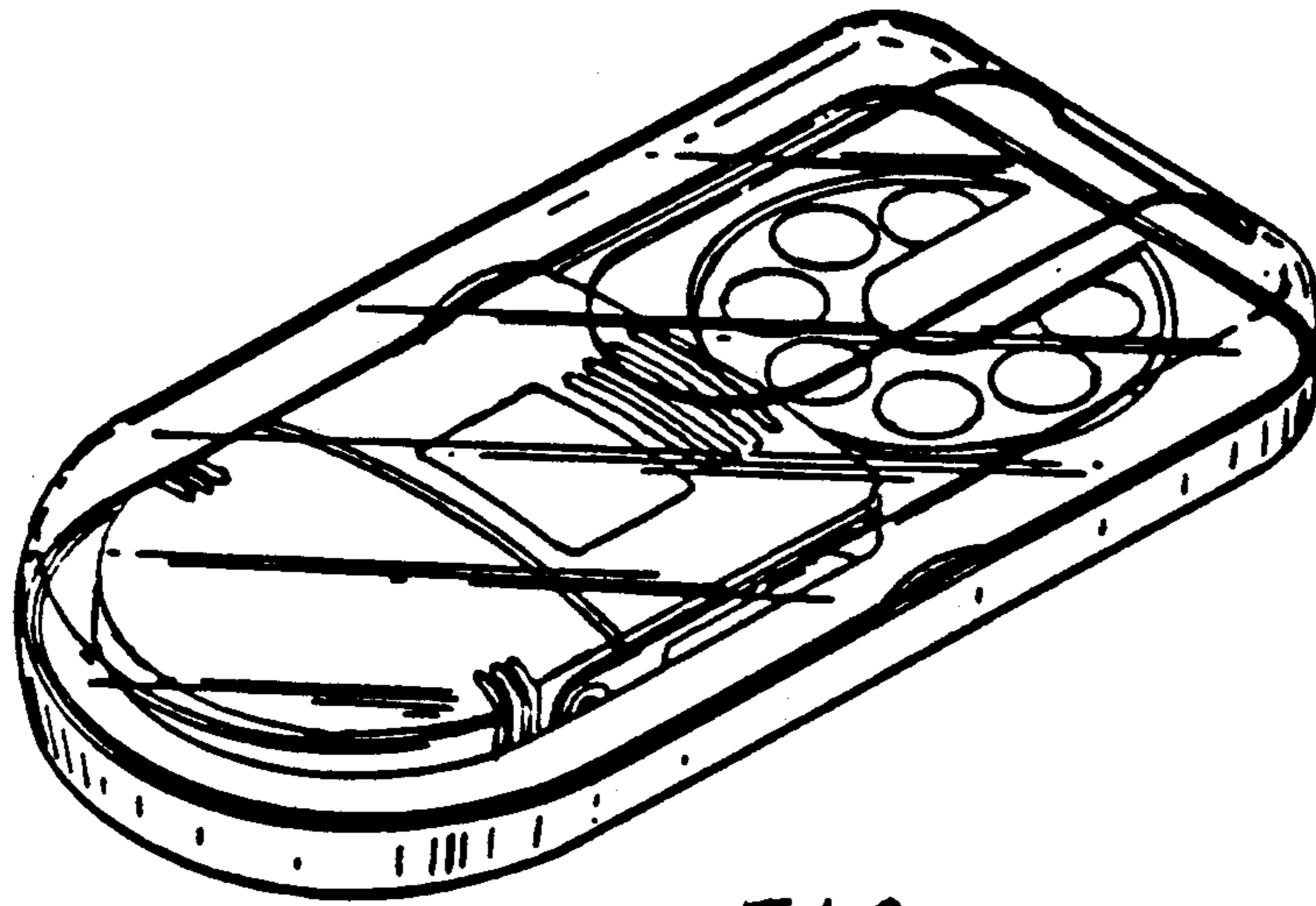


FIG. 1

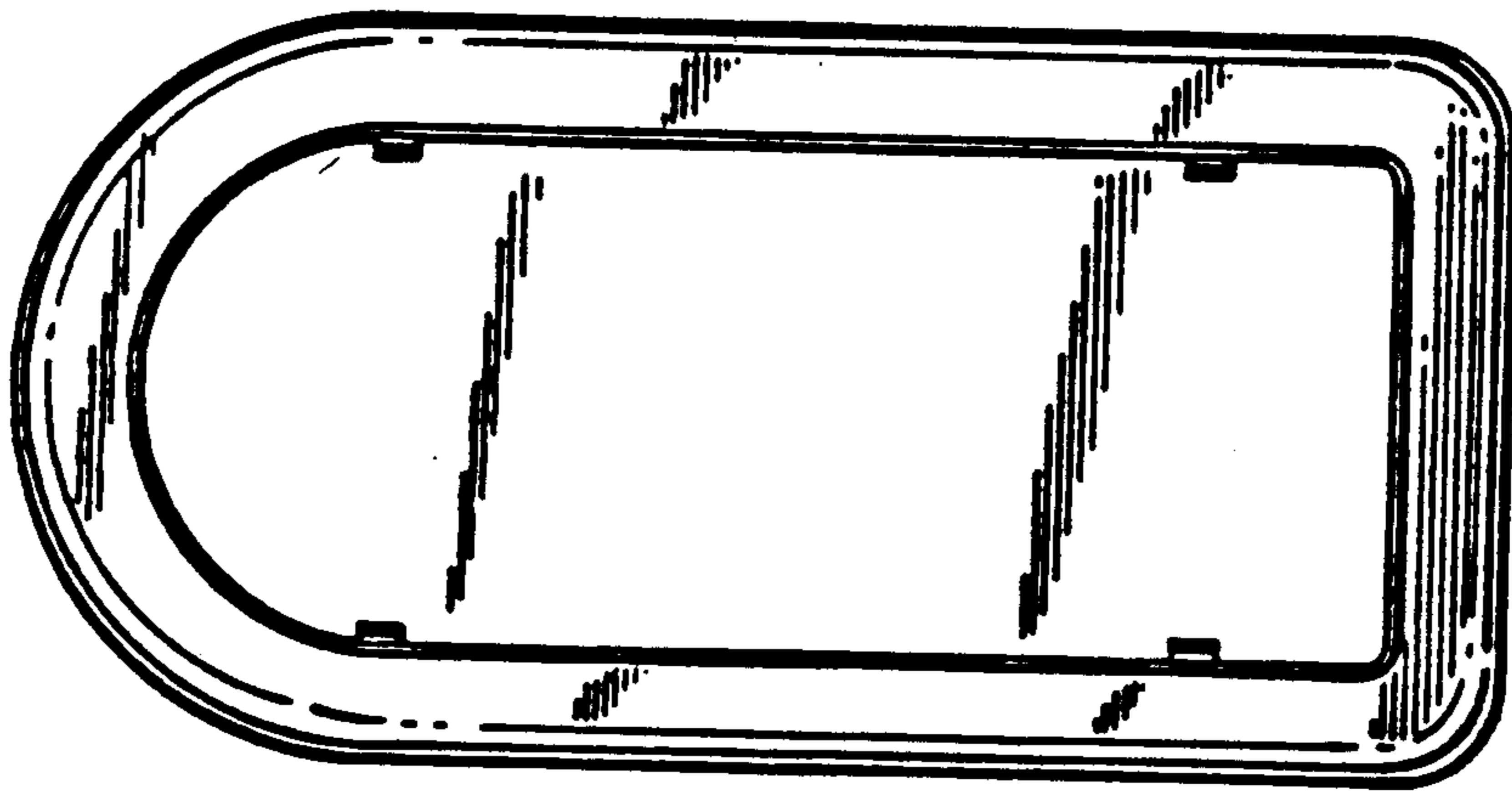


FIG. 2

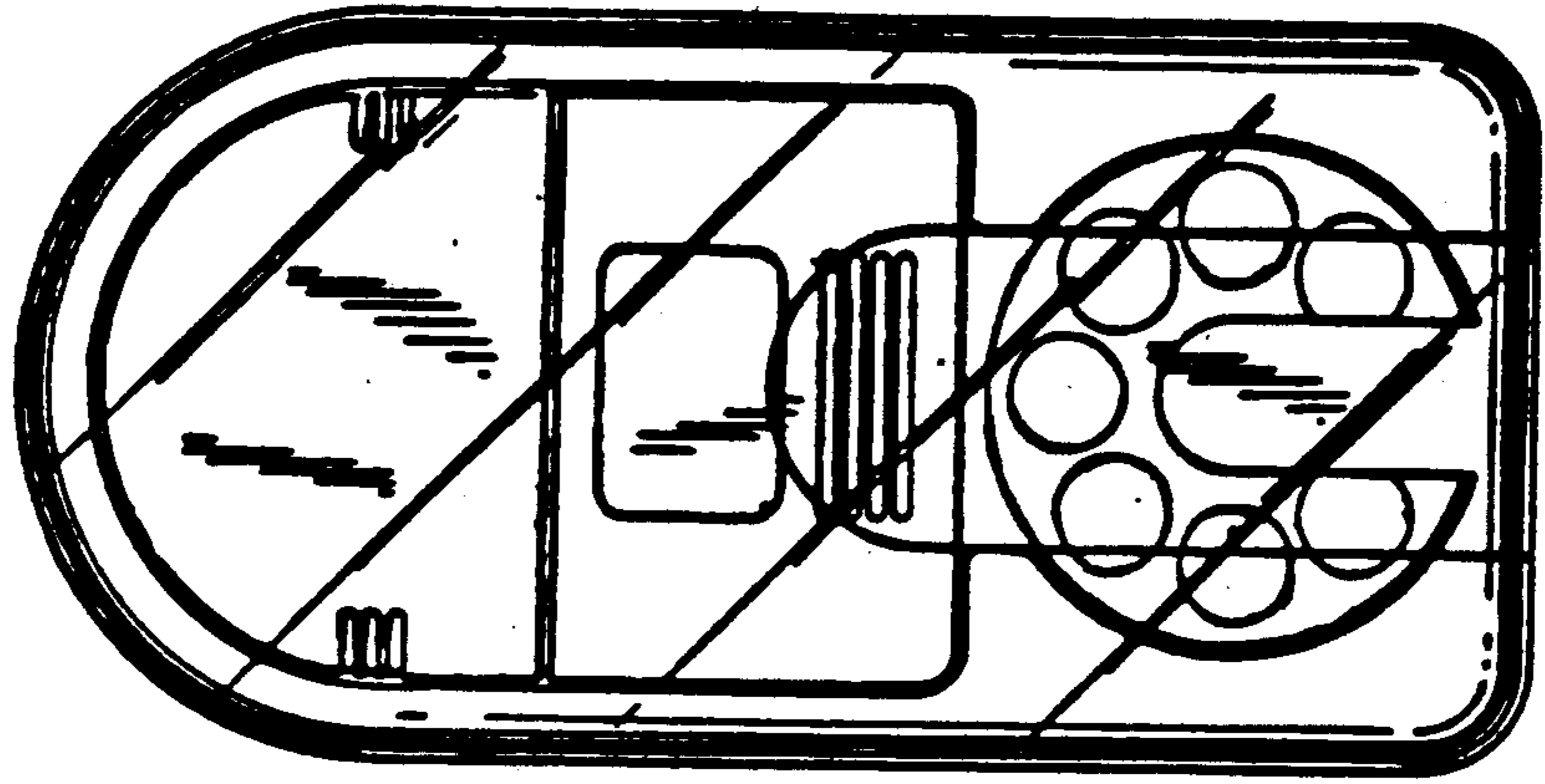


FIG. 3

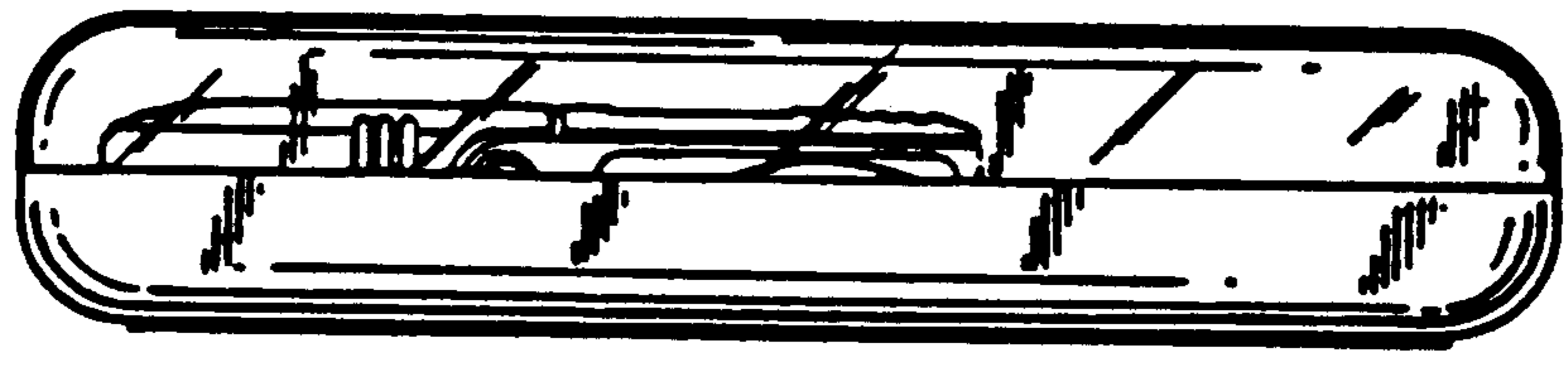


FIG. 4

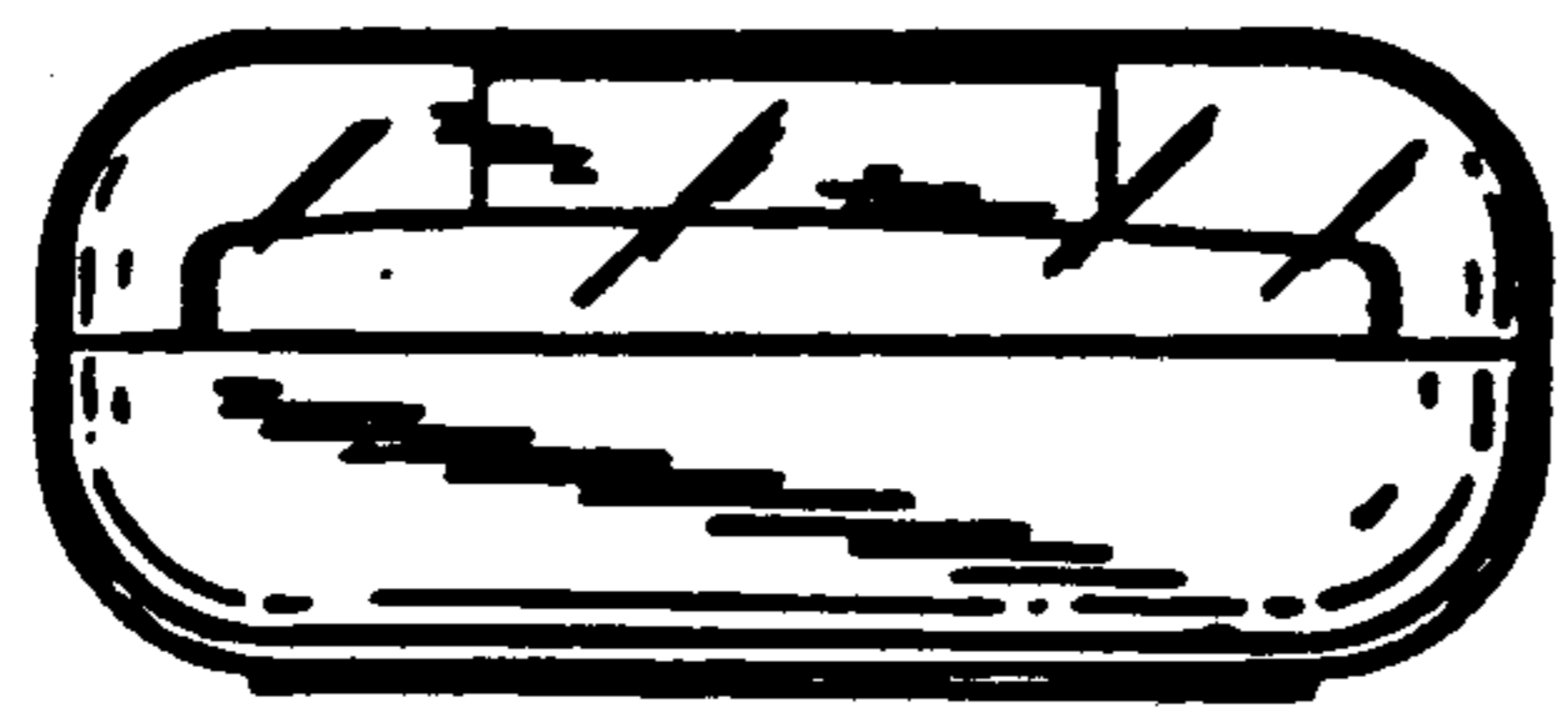


FIG. 5

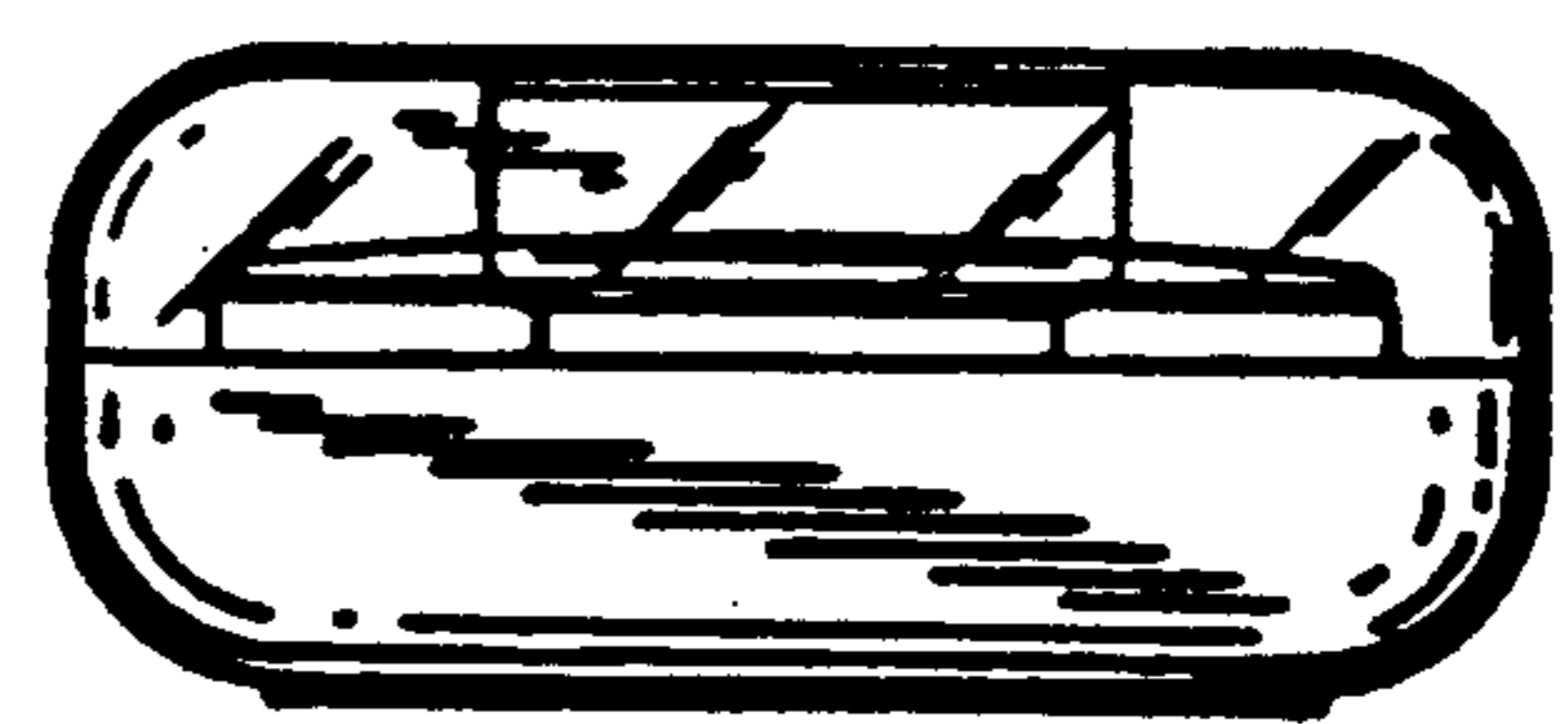


FIG. 6