

[54] BRACKET FOR PENDANTLY SUPPORTING  
A SPEAKER

[76] Inventor: Boyd K. Temple, P.O. Box 20638,  
Roanoke, Va. 24018

[\*\*] Term: 14 Years

[21] Appl. No.: 139,709

[22] Filed: Dec. 30, 1987

[52] U.S. Cl. .... D8/373

[58] Field of Search ..... D8/373; D6/405, 403;  
248/317, 343, 323; D14/209

[56] References Cited

U.S. PATENT DOCUMENTS

D. 63,582	12/1923	Phillips	.....	D6/403
D. 198,802	8/1964	Cucallo	.....	D6/403
D. 202,899	11/1965	Charlton	.....	D14/209
D. 242,318	11/1976	Gomberoff et al.	.....	D6/403
D. 281,317	11/1985	Whitaker	.....	D8/373 X
1,955,223	4/1934	Brouyette	.....	248/214 X
3,356,840	12/1967	Cohen	.....	248/343

3,614,046	10/1971	Lehmar	.....	248/343
4,101,109	7/1978	Edwards	.....	248/317
4,227,669	10/1980	McInnis	.....	248/317
4,417,714	11/1983	Charms	.....	248/323

Primary Examiner—Horace B. Fay, Jr.  
Attorney, Agent, or Firm—Norman B. Rainer

[57] CLAIM

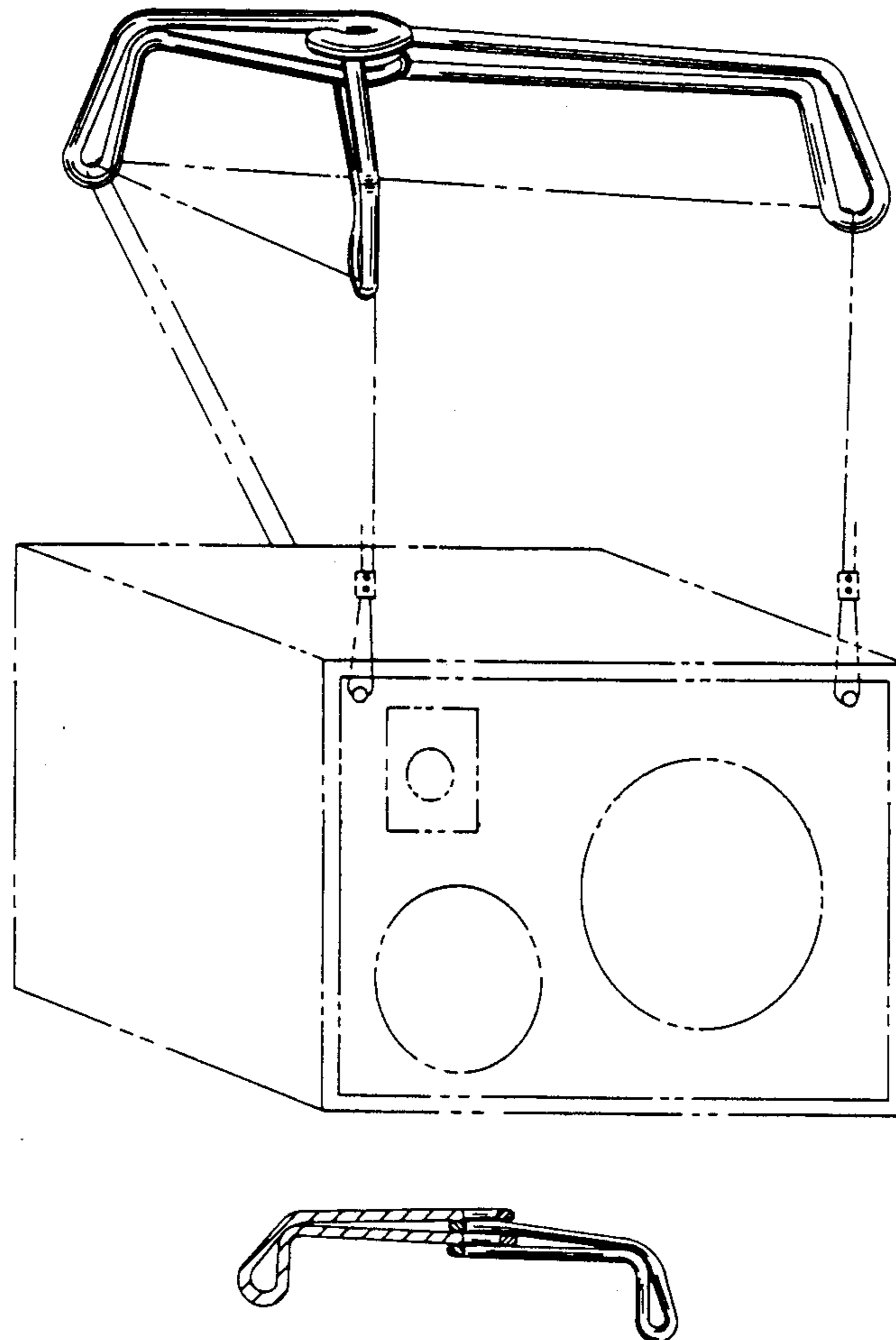
The ornamental design for a bracket for pendantly supporting a speaker, as shown and described.

DESCRIPTION

FIG. 1 is a left side, top and front perspective view of a bracket for pendantly supporting a speaker in broken line operative environment association with a speaker; FIGS. 2 and 3 are respectively top and bottom plan views thereof; and

FIG. 4 is a sectional view thereof, taken along the line 4—4 of FIG. 2.

The broken line showing of environmental association with an attached speaker is for illustrative purposes only and forms no part of the claimed design.



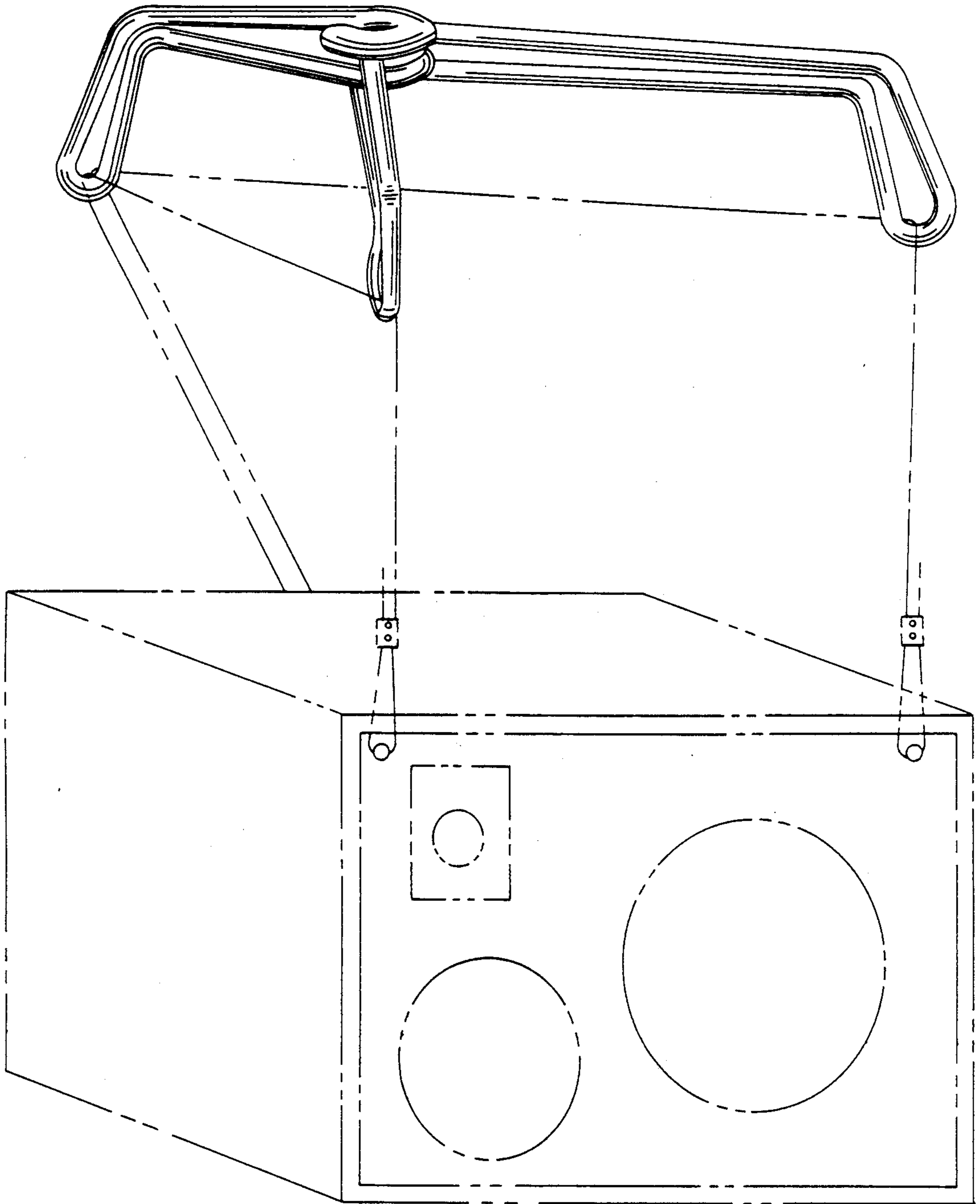


FIG. 1

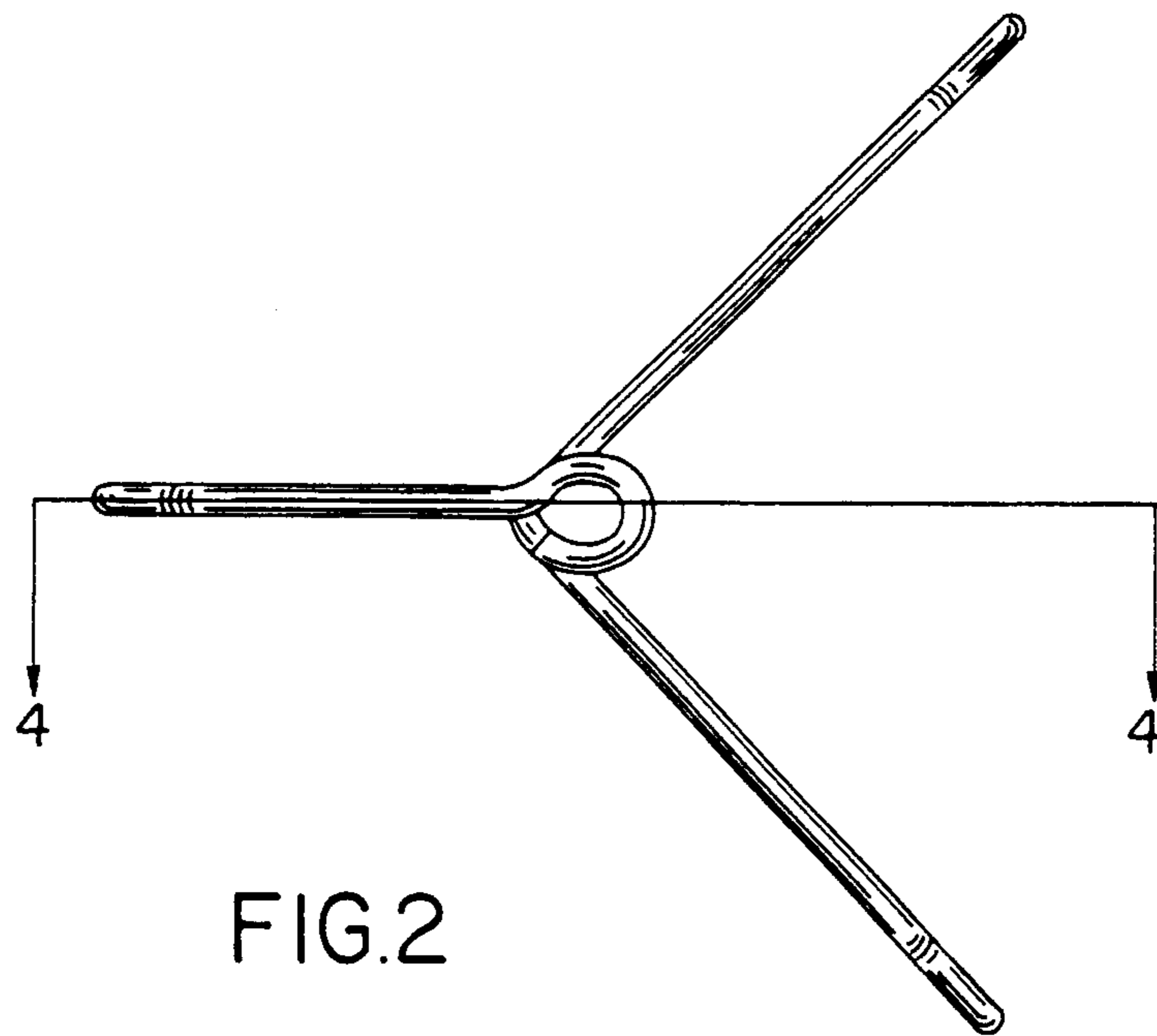


FIG. 2

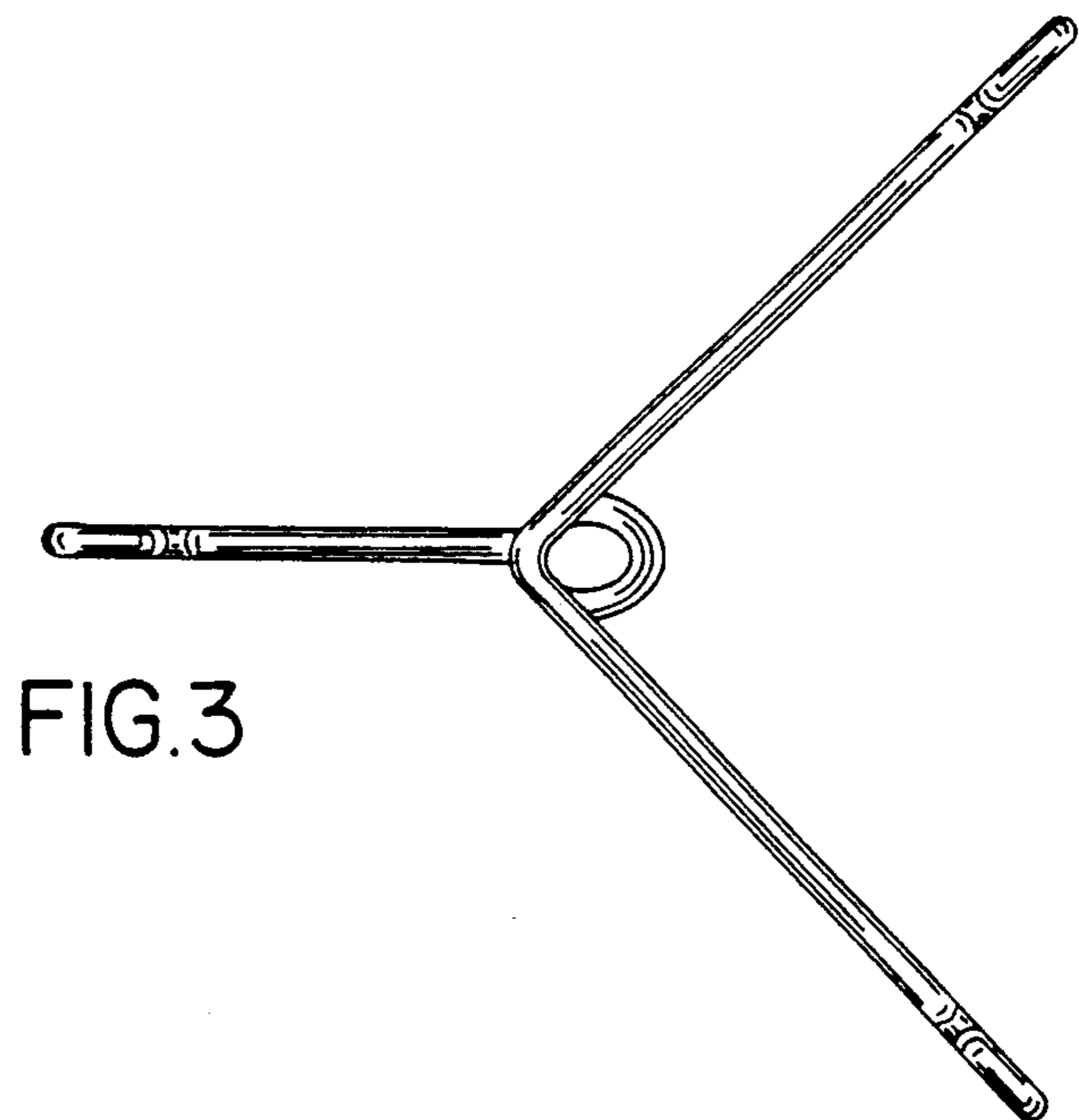


FIG. 3

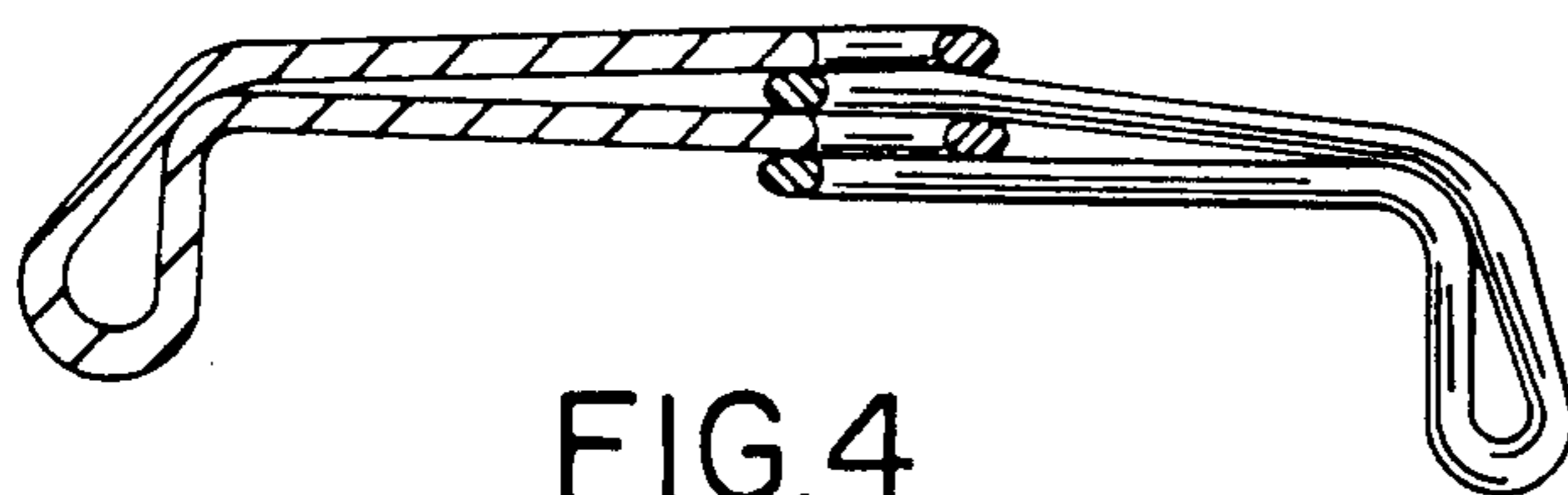


FIG. 4