

[54] CLAMPING SET OF BRACKET ARMS FOR SUPPORTING TUBULAR OBJECTS

3,305,100 2/1967 Barbee 248/316.7 X
3,971,591 7/1976 Ziayek 297/191

[76] Inventors: Theodore Ziaylek, Jr., 140 Riverview Dr.; Michael P. Ziaylek, 3 Brook La., both of Yardley, Pa. 19067

OTHER PUBLICATIONS

Ziamatic Corp.: Bulletin BA-80: copyright 8-80: on pp. 4, 13, Walkaway Bracket at Down and Rest Positions.

[**] Term: 14 Years

Primary Examiner—Horace B. Fay, Jr.
Attorney, Agent, or Firm—Sperry, Zoda & Kane

[21] Appl. No.: 106,490

[22] Filed: Oct. 9, 1987

[52] U.S. Cl. D8/373

[58] Field of Search D8/373, 354, 395, 396, D8/394; 248/311.2, 313, 311.3, 316.7; 211/89, 74, 75, 71, 59.2, 60.1; 24/257

[57] CLAIM

The ornamental design for clamping set of bracket arms for supporting tubular objects, as shown and described.

DESCRIPTION

[56] References Cited

U.S. PATENT DOCUMENTS

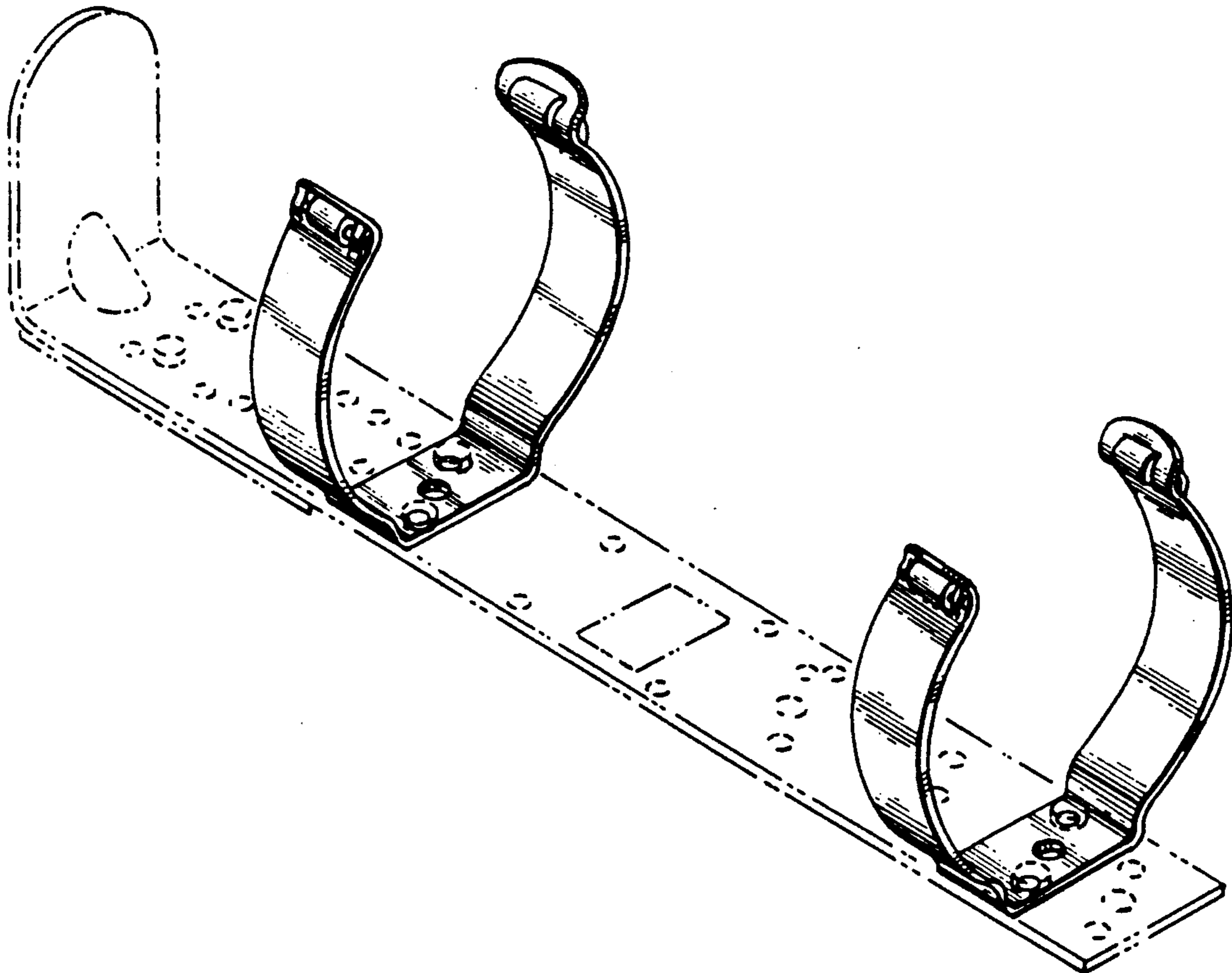
- D. 188,000 5/1960 Shangle et al. D8/354 X
- D. 222,527 11/1971 Ziaylek, Jr. D8/373
- D. 237,357 10/1975 Ziaylek, Jr. D8/373
- 1,117,491 11/1914 Hornung 248/113 UX
- 1,798,028 3/1931 Nachtigal 248/113

FIG. 1 is a top three-quarter perspective view of a clamping set of bracket arms for supporting tubular objects;

FIG. 2 is a bottom plan view thereof; and

FIG. 3 is a rear elevational view thereof.

The broken line showing of a vertical mounting plate in all three figures is for illustrative purposes only and forms no part of the claimed design.



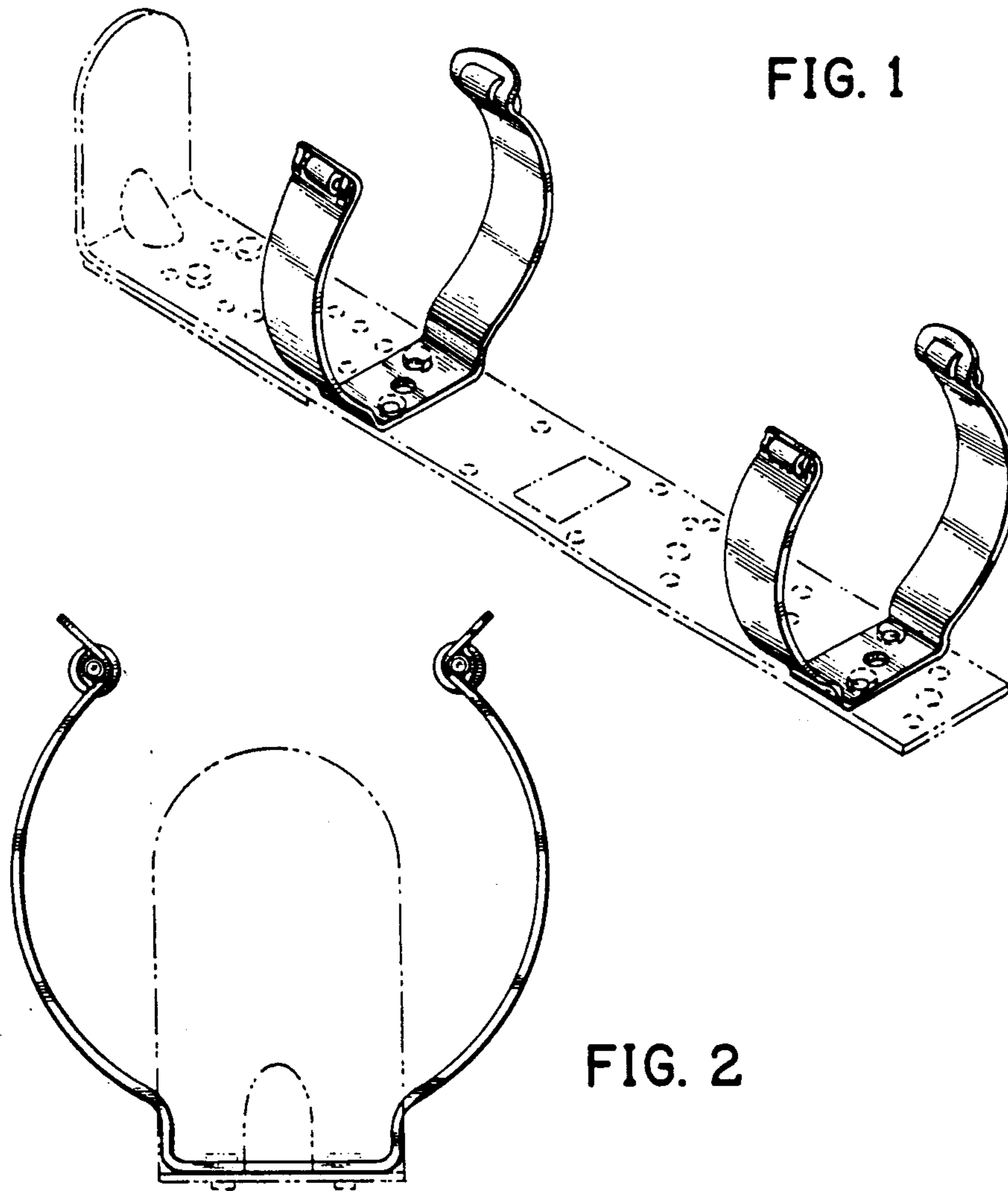


FIG. 1

FIG. 2

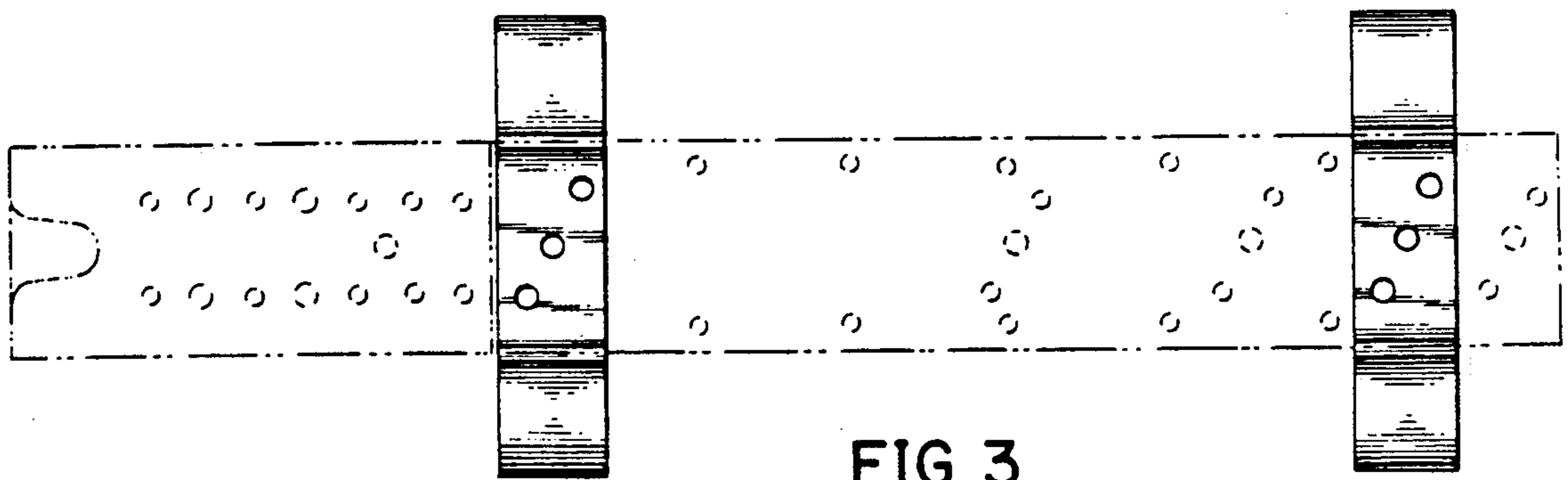


FIG. 3