

- [54] SPARK PLUG WIRE HARNESS
- [75] Inventor: Randy J. Allison, Huntington Beach, Calif.
- [73] Assignee: Russell Performance Products, Paramount, Calif.
- [**] Term: 14 Years
- [21] Appl. No.: 229,329
- [22] Filed: Aug. 8, 1988
- [52] U.S. Cl. D8/357
- [58] Field of Search D8/357, 360.1; D74/72 A

Assistant Examiner—Marcus Jackson
Attorney, Agent, or Firm—Lyon & Lyon

[57] CLAIM

The ornamental design for a spark plug wire harness, as shown and described.

DESCRIPTION

FIG. 1 is a perspective view of a spark plug wire harness showing my new design in use, with the broken lines shown for illustrative purposes only and forming no part of the claimed design;

FIG. 2 is a top plan view thereof;

FIG. 3 is a right side elevational view thereof;

FIG. 4 is a left side elevational view thereof;

FIG. 5 is a rear elevational view thereof;

FIG. 6 is a front elevational view thereof;

FIG. 7 is a bottom plan view thereof;

FIG. 8 is a sectional view taken along line 8—8 of FIG. 3; and

FIG. 9 is a sectional view taken along line 9—9 of FIG. 3.

- [56] **References Cited**
- U.S. PATENT DOCUMENTS
- D. 298,798 12/1988 Finley D8/357
- 3,949,457 4/1976 Fortsch 174/72 A
- 4,177,359 12/1979 Naranjo 174/72 A

Primary Examiner—Wallace R. Burke

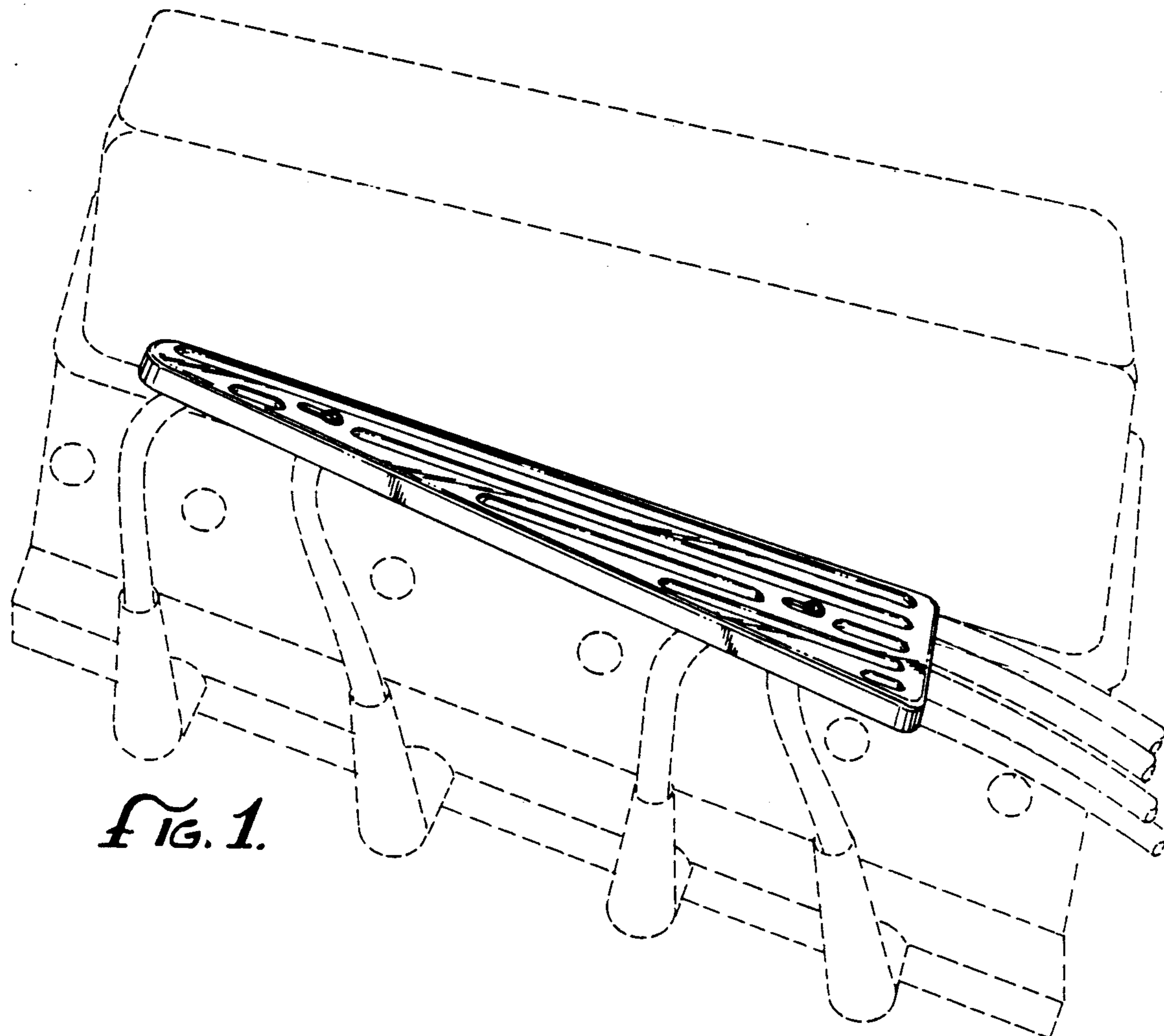


FIG. 1.

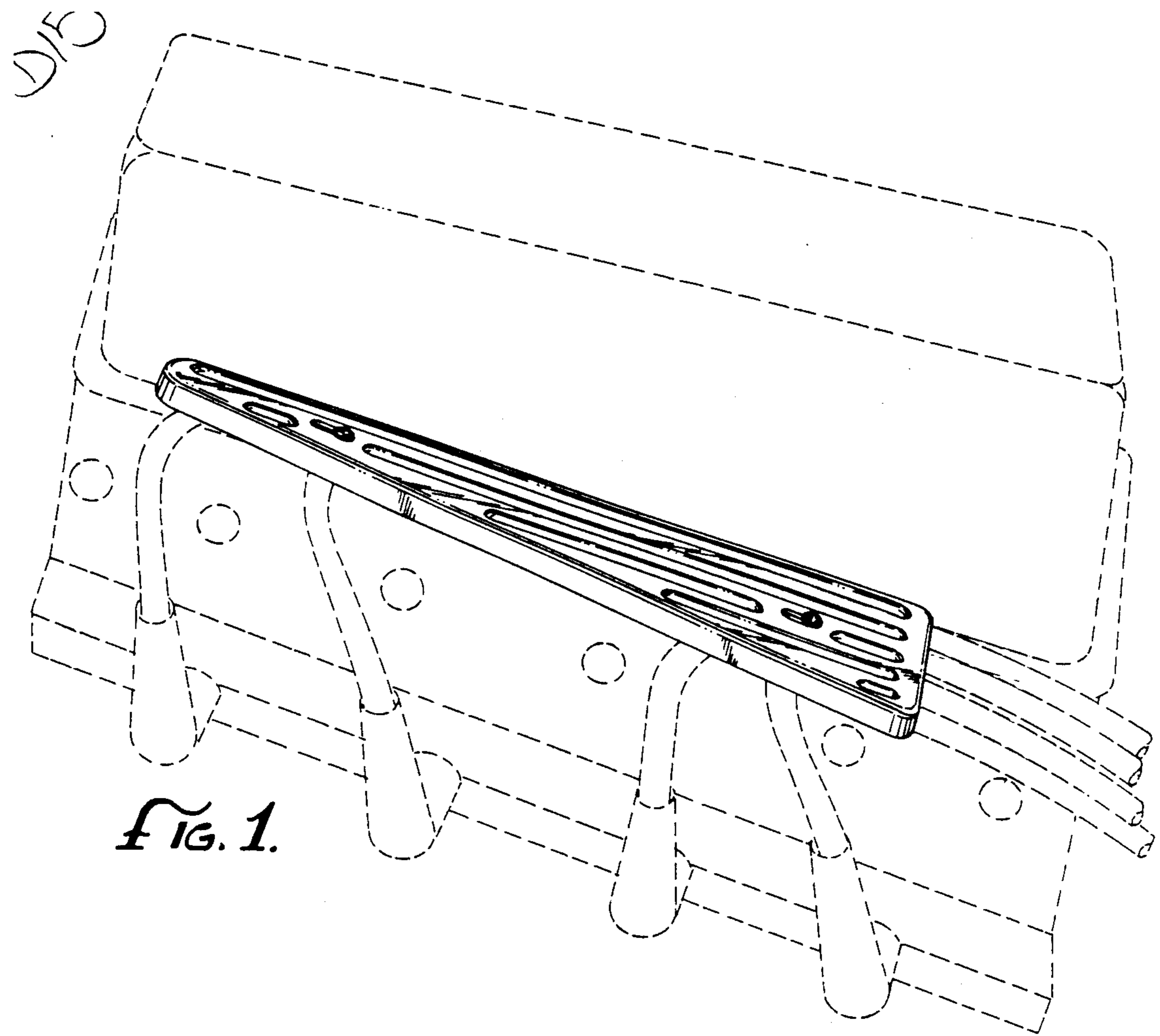


FIG. 1.

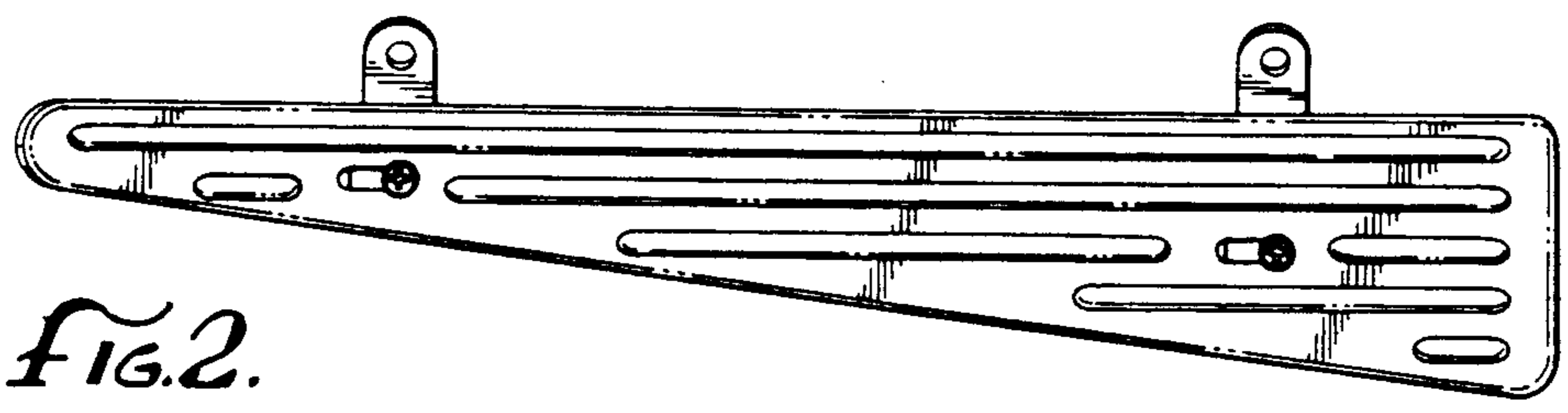


FIG. 2.

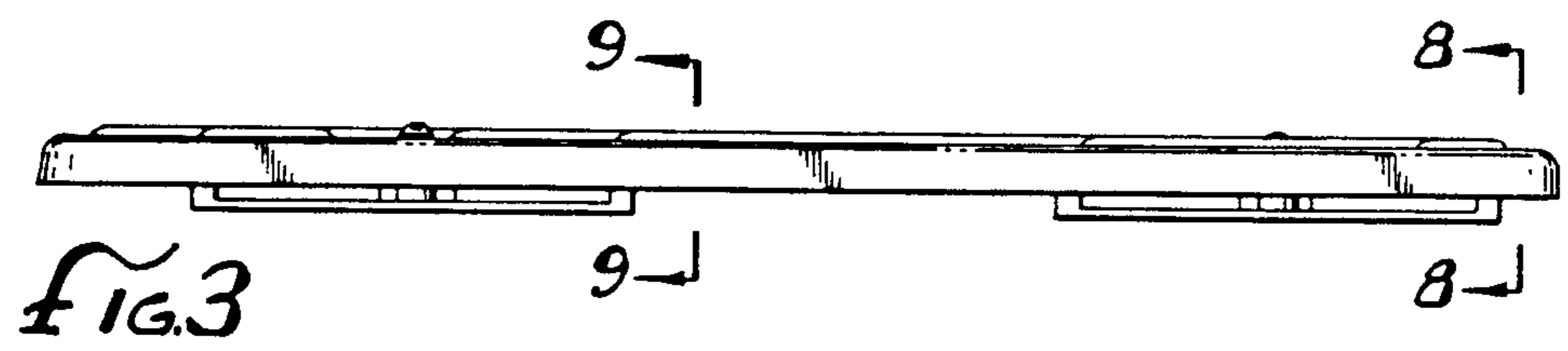


FIG. 3

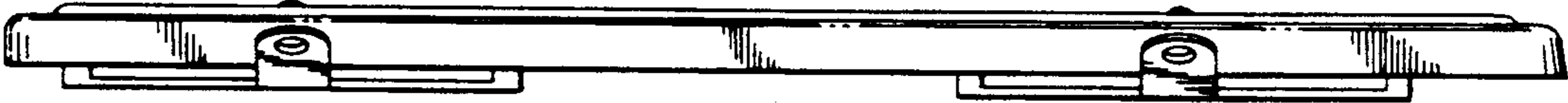


FIG. 4.



FIG. 6.



FIG. 5.

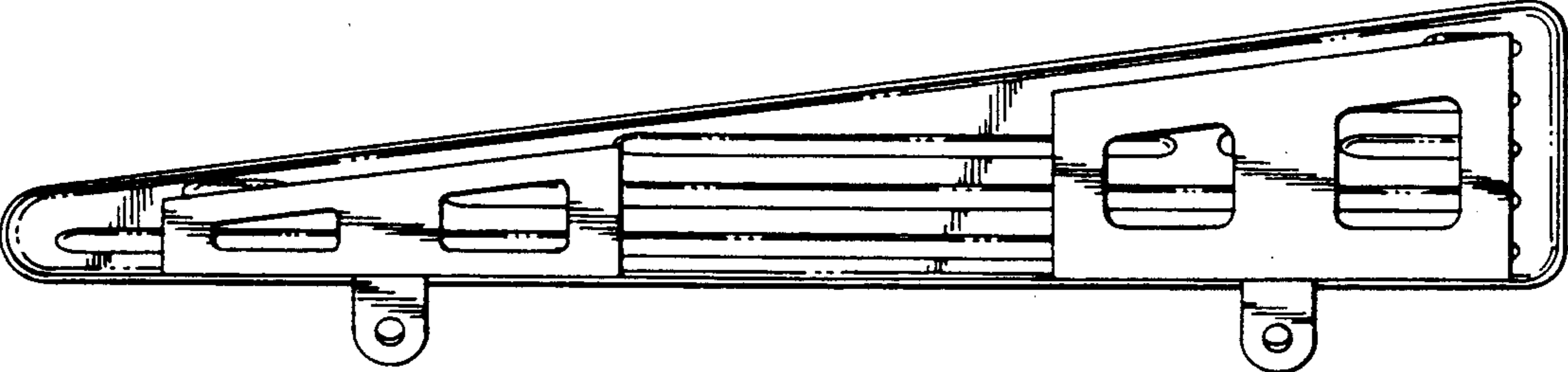


FIG. 7.



FIG. 9.



FIG. 8.