

[54] TOILET SEAT LIFTING HANDLE

[76] Inventor: Gary Burghoff, 2001 Sombrero Beach Rd., Boot Key, Marathon, Fla. 33050

[\*\*] Term: 14 Years

[21] Appl. No.: 45,122

[22] Filed: May 1, 1987

[52] U.S. Cl. .... D8/307

[58] Field of Search ..... D23/311, 312; D8/300, D8/305, 306, 307, 314, 319, 320; 4/251

[56] References Cited

U.S. PATENT DOCUMENTS

D. 245,095	7/1977	Murray	.....	D8/307
D. 295,604	5/1988	Purdy	.....	D8/307
1,999,555	4/1935	Adams	.....	4/251
2,236,576	4/1941	Loebner	.	
2,318,518	5/1943	Opperer	.	
2,440,232	4/1948	Davidson	.	
2,473,082	6/1949	Warner	.	
2,758,315	8/1956	Hylton	.	
3,191,193	6/1965	Bogenberger	.	
3,417,411	12/1968	Greenwood	.	
3,504,385	4/1970	Fields	.	
3,717,884	2/1973	Mantooth	.	
3,783,455	1/1974	Vanderbrook	.	
3,935,601	2/1976	Hermann	.	
4,129,907	12/1978	Vaughan et al.	.	
4,512,046	4/1985	Riggle	.	
4,574,401	3/1986	Nakajima	.	

OTHER PUBLICATIONS

Architectural Record, Jul. 1962, p. 269, "Brookline Industries, Inc.", Item.

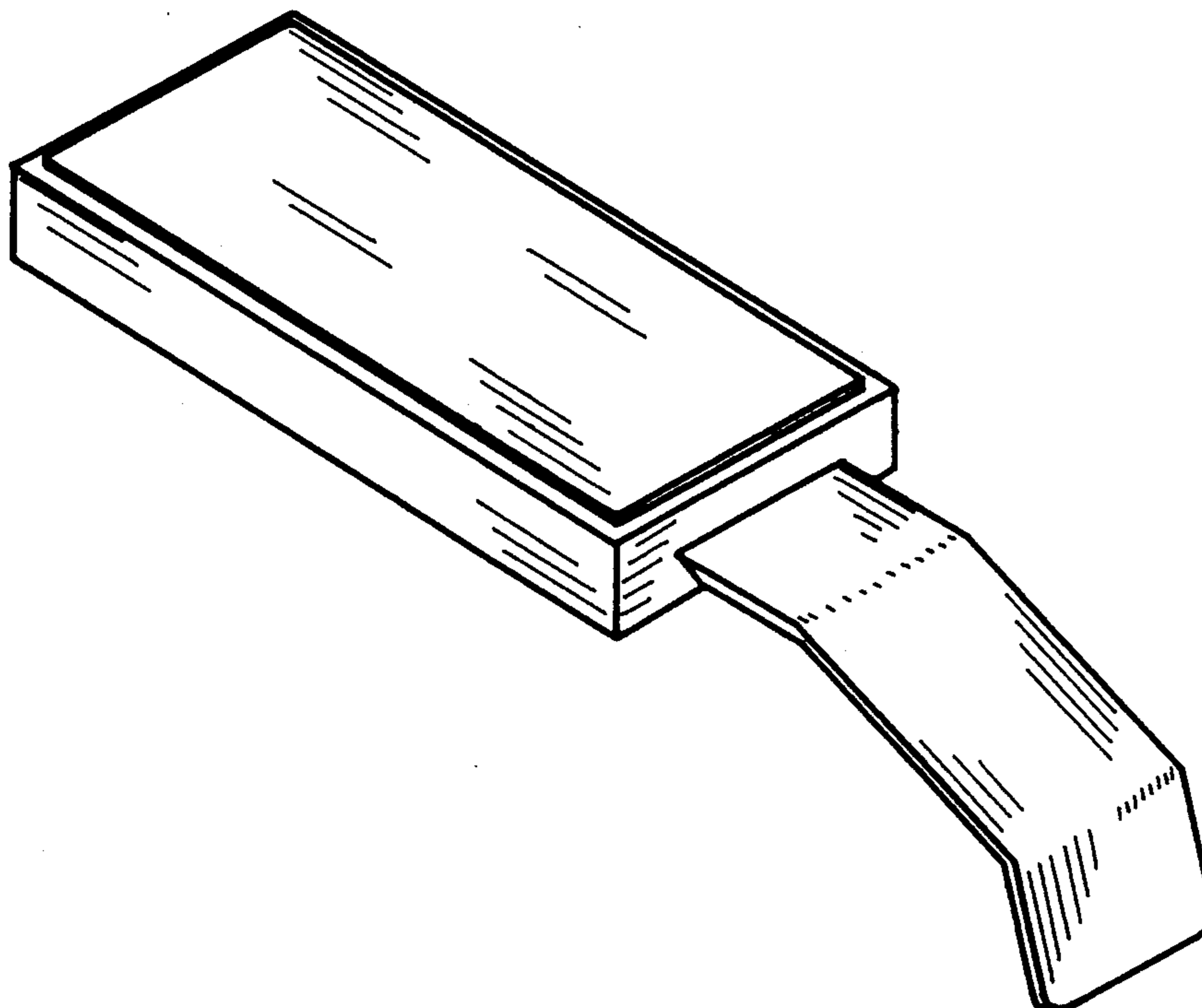
Primary Examiner—James R. Largen  
Attorney, Agent, or Firm—Frijouf, Dust & Pyle

[57] CLAIM

The ornamental design for a toilet seat lifting handle, as shown and described.

DESCRIPTION

FIG. 1 is an isometric view of a toilet seat lifting handle showing my new design;  
FIG. 2 is a left side elevational view thereof; the right side being a mirror image of the left side shown;  
FIG. 3 is a top plan view thereof;  
FIG. 4 is a rear elevational view thereof;  
FIG. 5 is a front elevational view thereof;  
FIG. 6 is an enlarged isometric view taken from the top, front and left side of a second embodiment of the toilet seat lifting handle shown in FIG. 1;  
FIG. 7 is a left side elevational view of FIG. 6, the right side being a mirror image of the left side shown;  
FIG. 8 is a top plan view of FIG. 6;  
FIG. 9 is a bottom plan view of FIG. 6;  
FIG. 10 is a front elevational view of FIG. 6;  
FIG. 11 is a rear elevational view of FIG. 6;  
FIG. 12 is a left side elevational view of a third embodiment of the toilet seat lifting handle shown in FIG. 1, the right side being a mirror image of the left side shown;  
FIG. 13 is a top plan view of FIG. 12;  
FIG. 14 is a rear elevational view of FIG. 12;  
FIG. 15 is a front elevational view of FIG. 12; and  
FIG. 16 is a bottom plan view of FIG. 12.  
The fragmentary broken line showing of a toilet seat in FIG. 1 is for purposes of illustration only and forms no part of the claimed design.



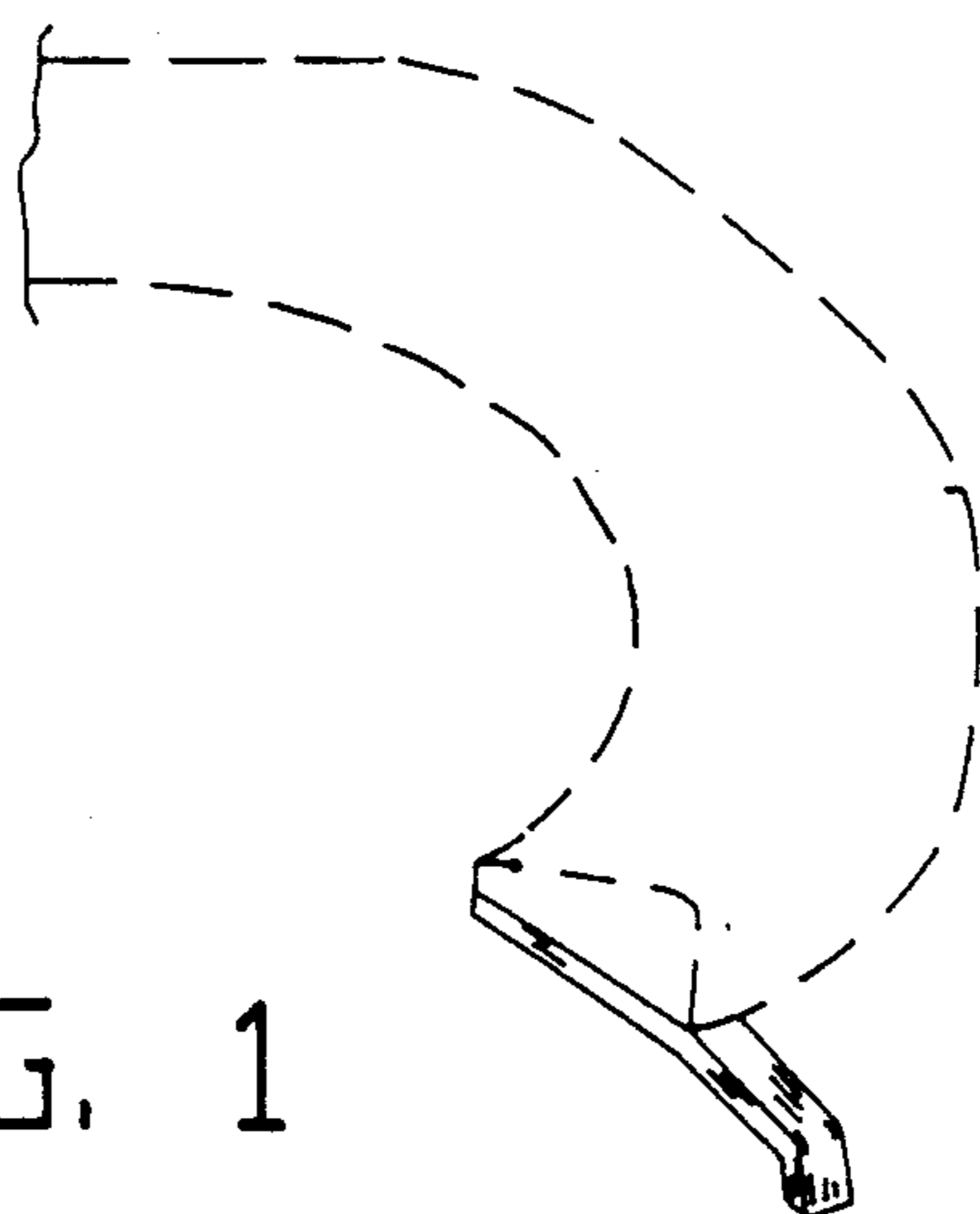


FIG. 1



FIG. 2

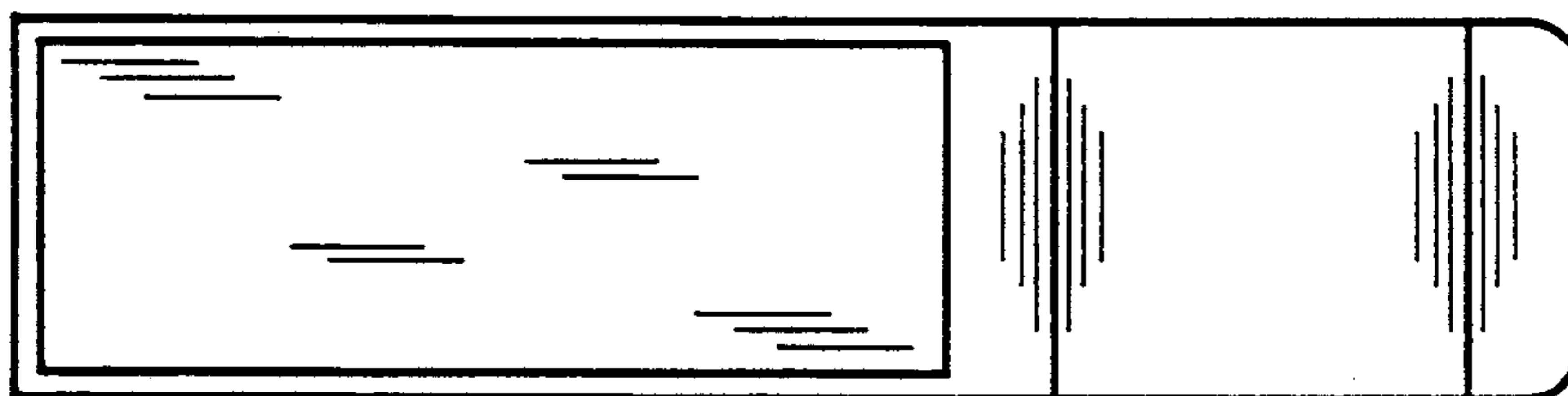


FIG. 3

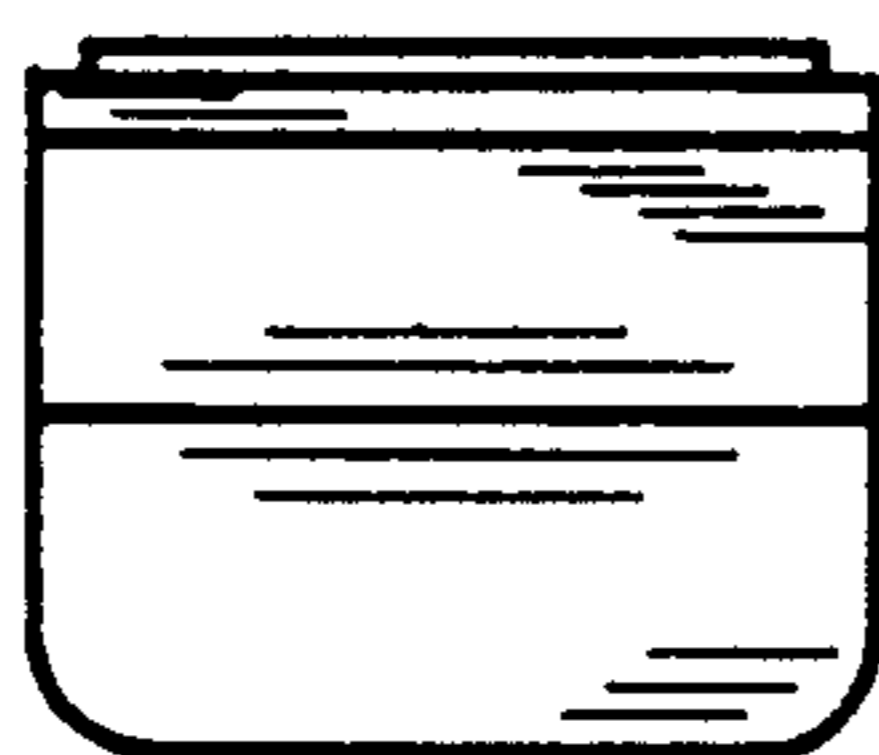


FIG. 4

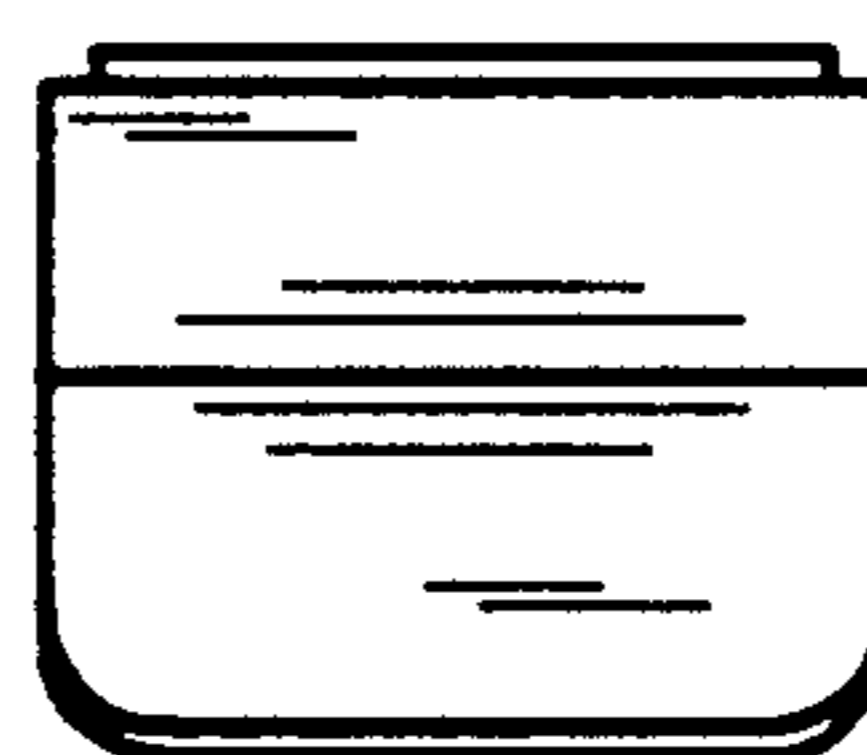


FIG. 5

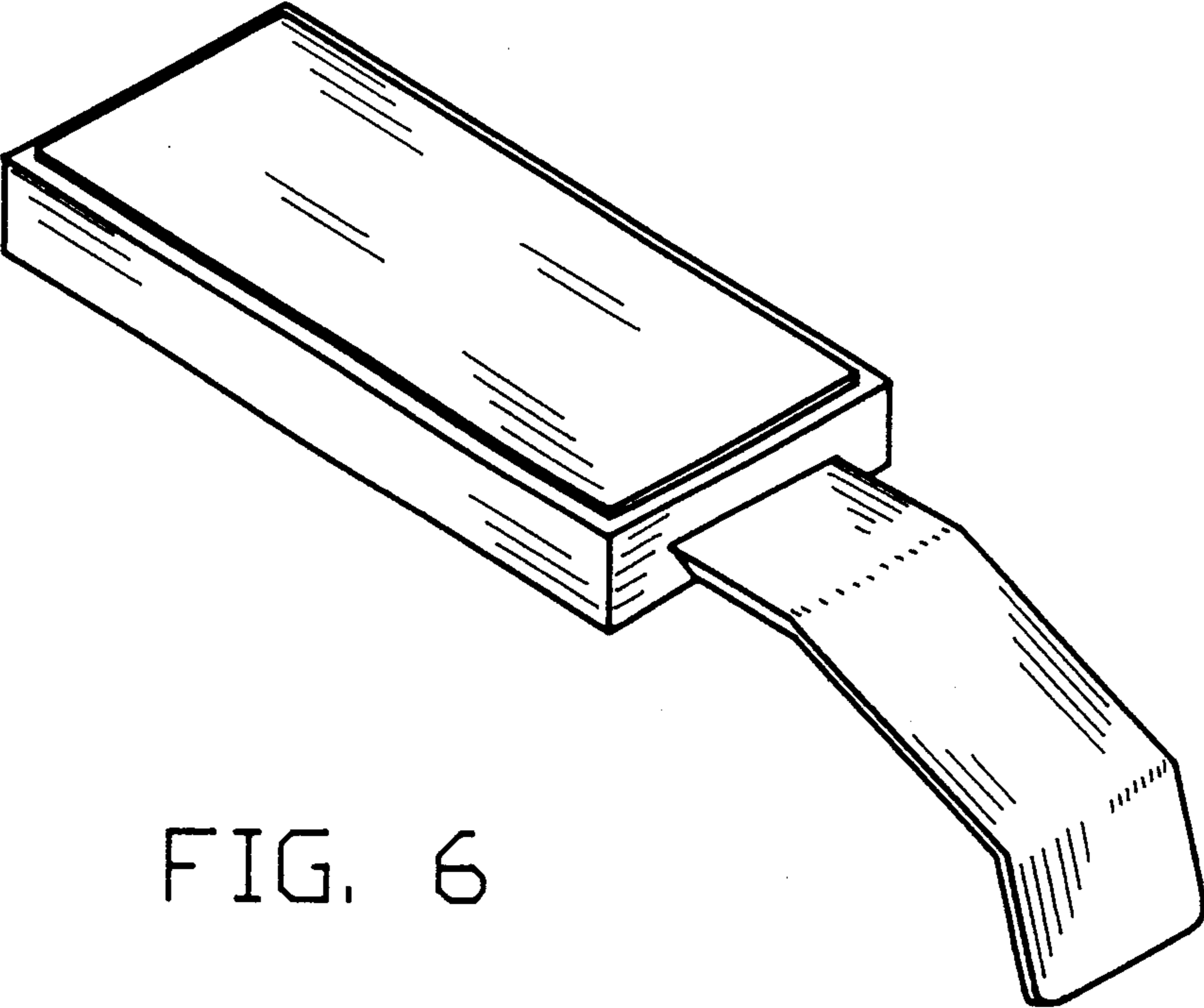


FIG. 6

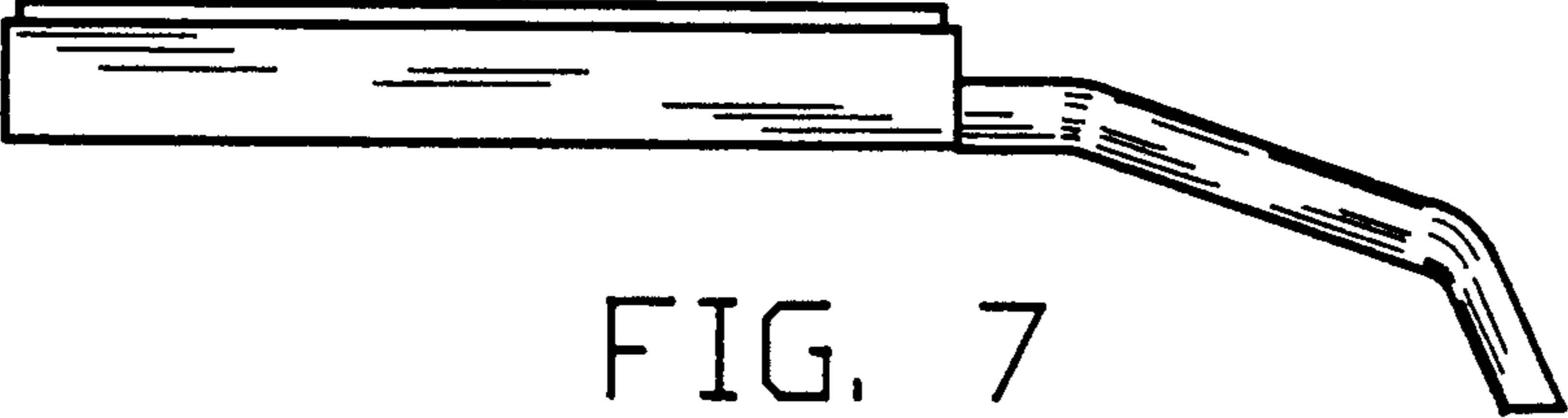


FIG. 7

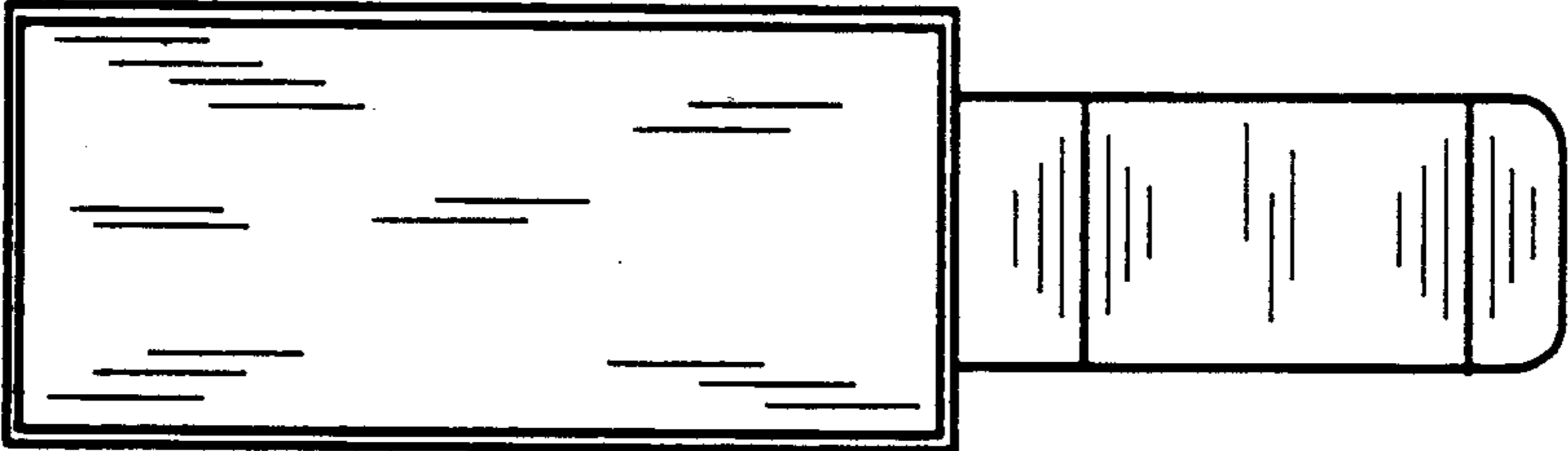


FIG. 8

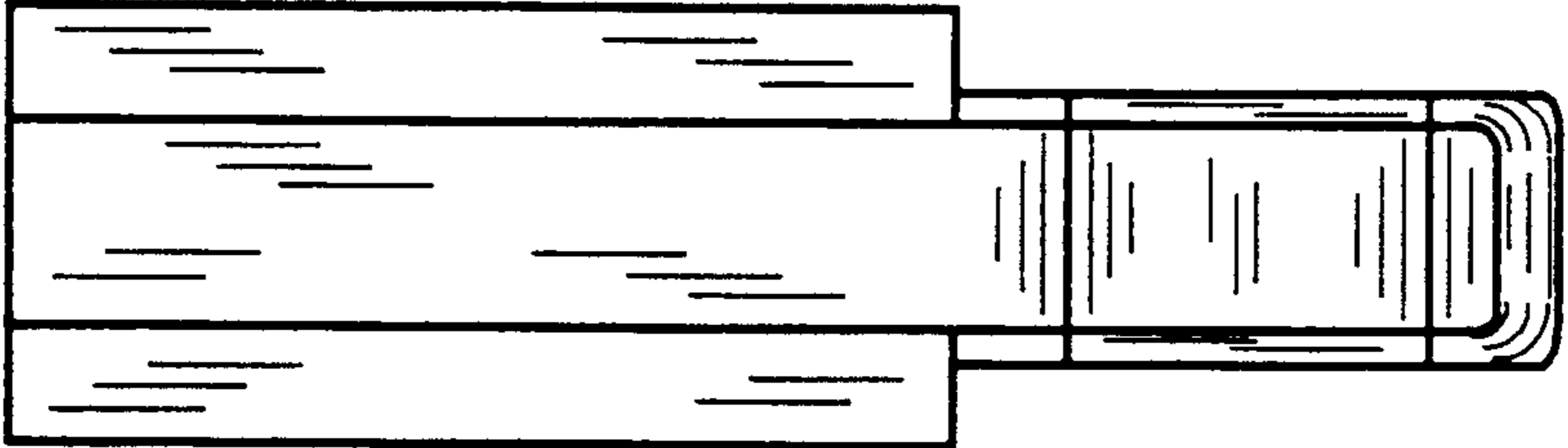


FIG. 9



FIG. 10



FIG. 11

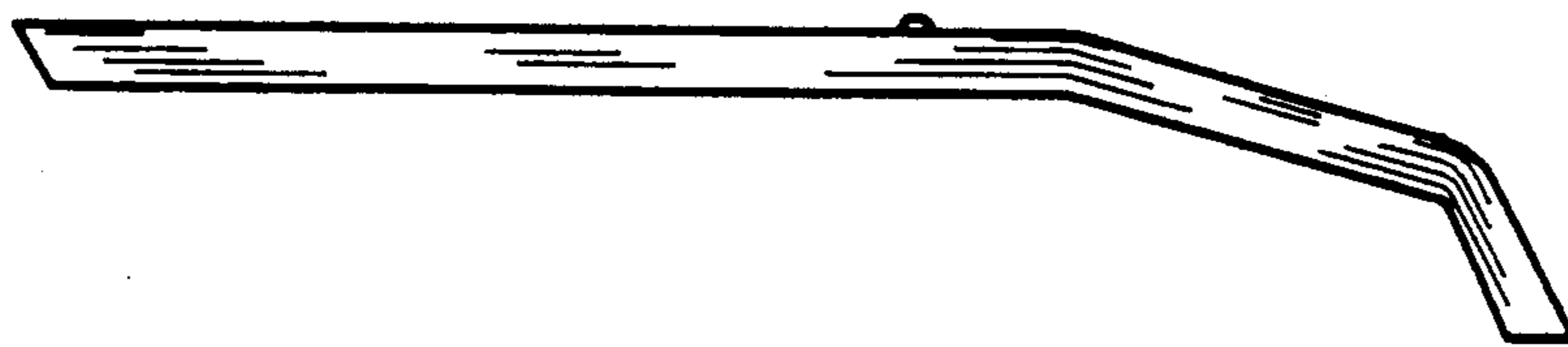


FIG. 12

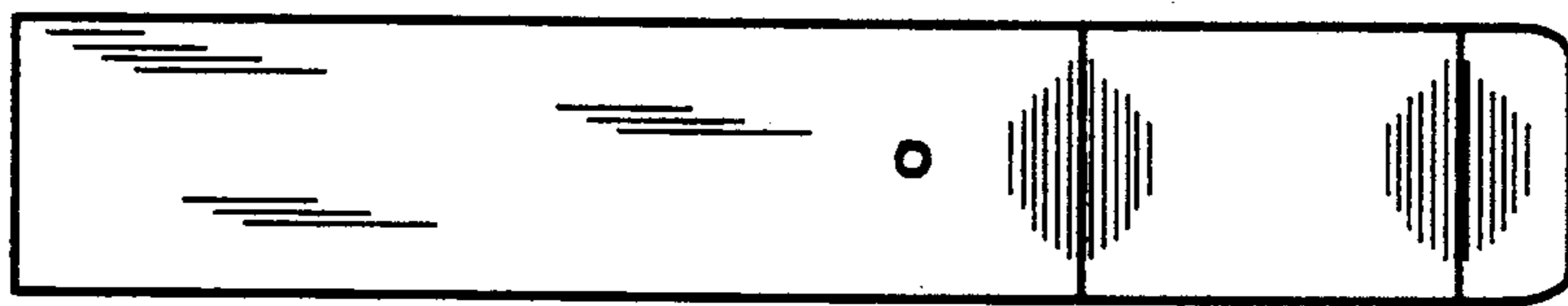


FIG. 13



FIG. 14



FIG. 15

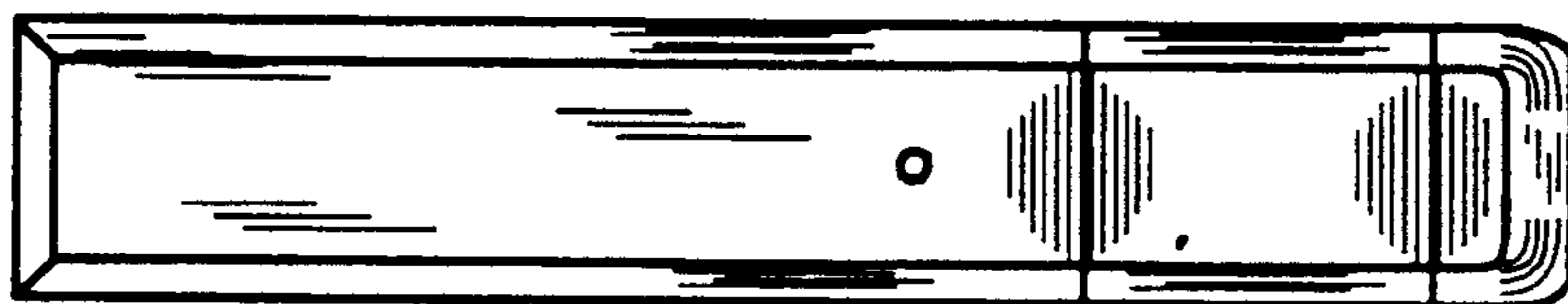


FIG. 16