

[54] SHOVEL  
 [76] Inventor: **Kaarlo A. Uimonen**, 221 S. Geneva St., Apt. 203, Ithaca, N.Y. 14850  
 [\*\*] Term: **14 Years**  
 [21] Appl. No.: **247,583**  
 [22] Filed: **Sep. 22, 1988**  
 [52] U.S. Cl. .... **D8/10**  
 [58] Field of Search ..... **D8/1, 10; 37/264, 266, 37/270, 285, 129-130; 294/55, 54.5, 58**

3,014,750 12/1961 Briggs ..... 294/58  
 3,078,604 2/1963 Neuman .  
 4,264,096 4/1981 Barnett ..... 294/58

FOREIGN PATENT DOCUMENTS

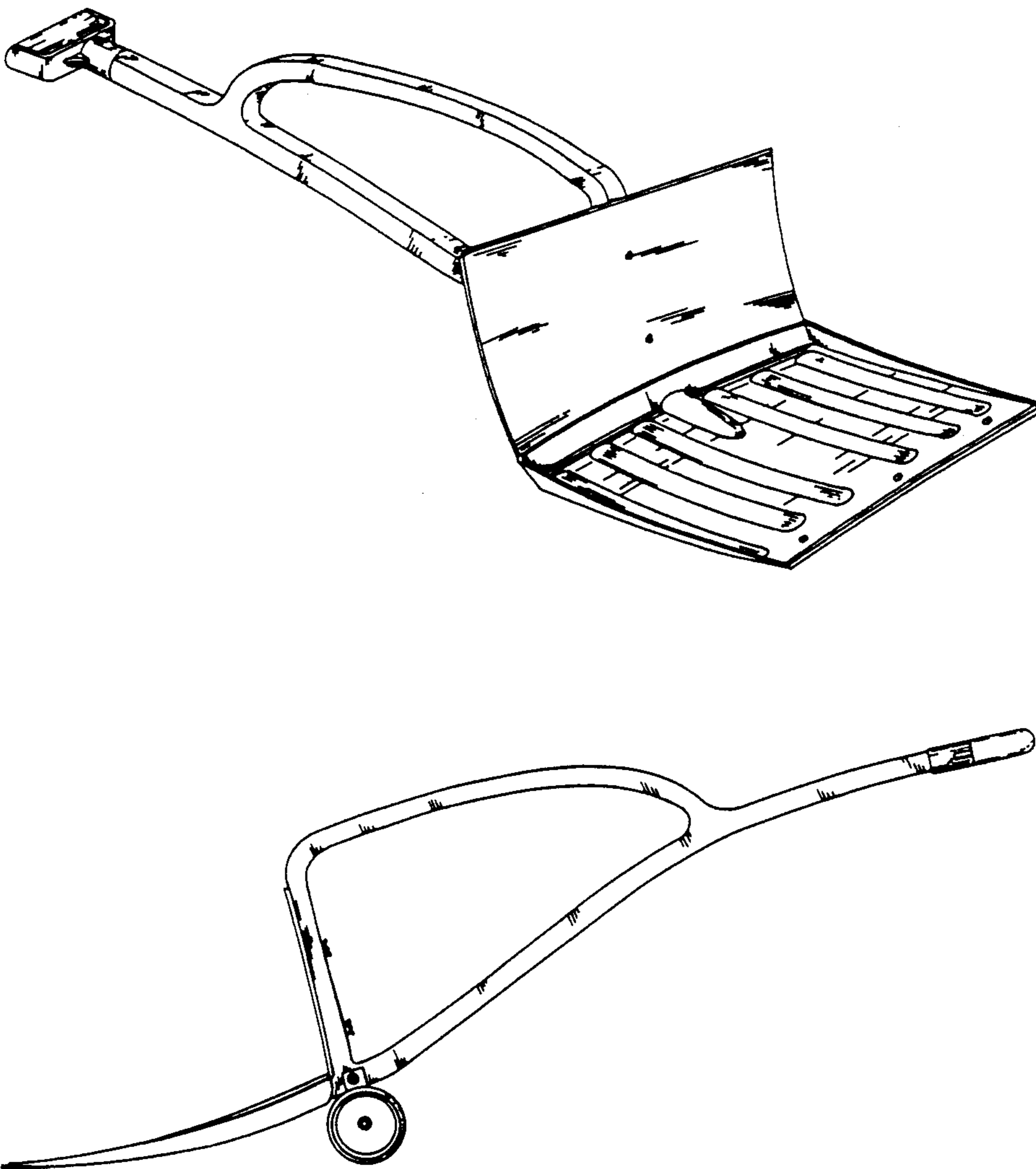
1019249 11/1957 Fed. Rep. of Germany .  
 962690 4/1958 Fed. Rep. of Germany .  
 1238253 4/1967 Fed. Rep. of Germany .  
 73559 5/1948 Norway .  
 346767 6/1960 Switzerland .

*Primary Examiner*—Wallace R. Burke  
*Assistant Examiner*—Brian N. Vinson

[56] **References Cited**  
**U.S. PATENT DOCUMENTS**  
 61,784 2/1867 Wheat .  
 120,607 11/1871 Alsip .  
 D. 206,177 11/1966 Unruh ..... D8/10  
 D. 261,351 10/1981 Carper ..... D8/10  
 D. 270,612 9/1983 Storlie ..... D8/10  
 D. 271,369 11/1983 Gesner ..... D8/10  
 781,772 2/1905 Gifford .  
 2,598,952 6/1952 Weingart .  
 2,785,483 3/1957 Gajewski .  
 2,811,792 11/1957 Cork .  
 2,846,785 8/1958 Underwood .

[57] **CLAIM**  
 The ornamental design for a shovel, as shown and described.

**DESCRIPTION**  
 FIG. 1 is a perspective view of a shovel showing my new design;  
 FIG. 2 is a rear elevational view thereof;  
 FIG. 3 is a right side elevational view thereof, the left side being a mirror image of that shown;  
 FIG. 4 is a front elevational view thereof; and  
 FIG. 5 is a bottom plan view thereof.



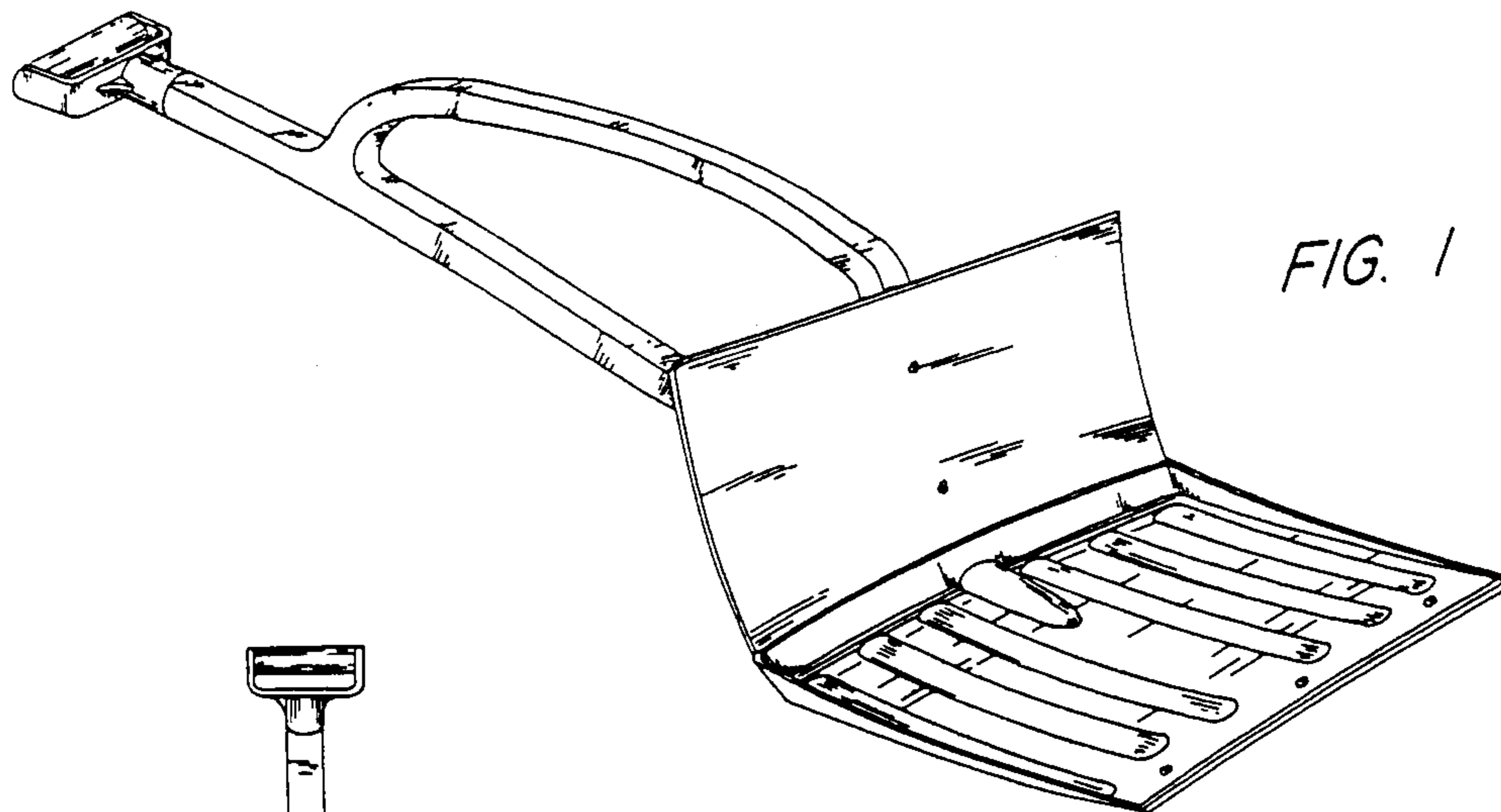


FIG. 1

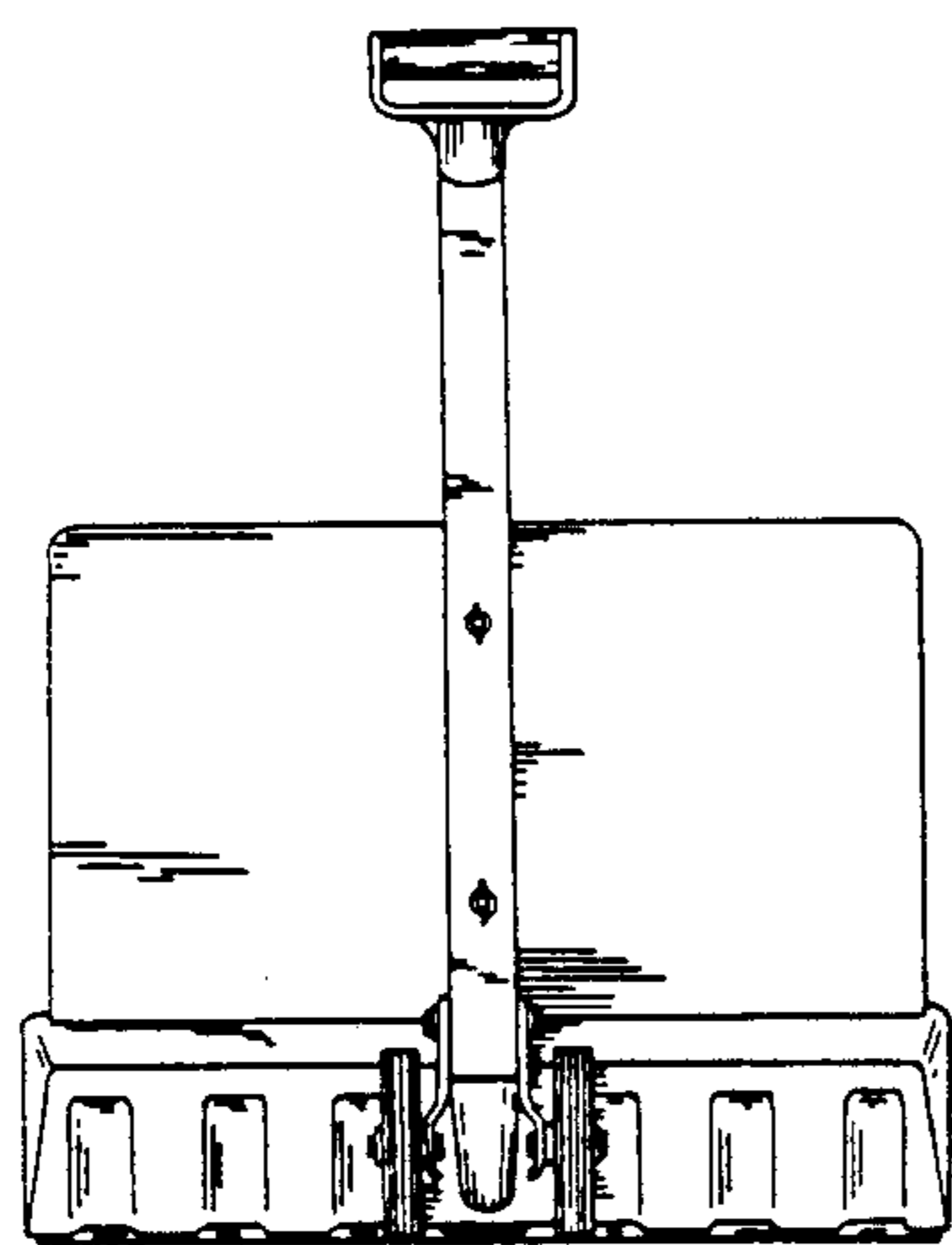


FIG. 2

FIG. 3

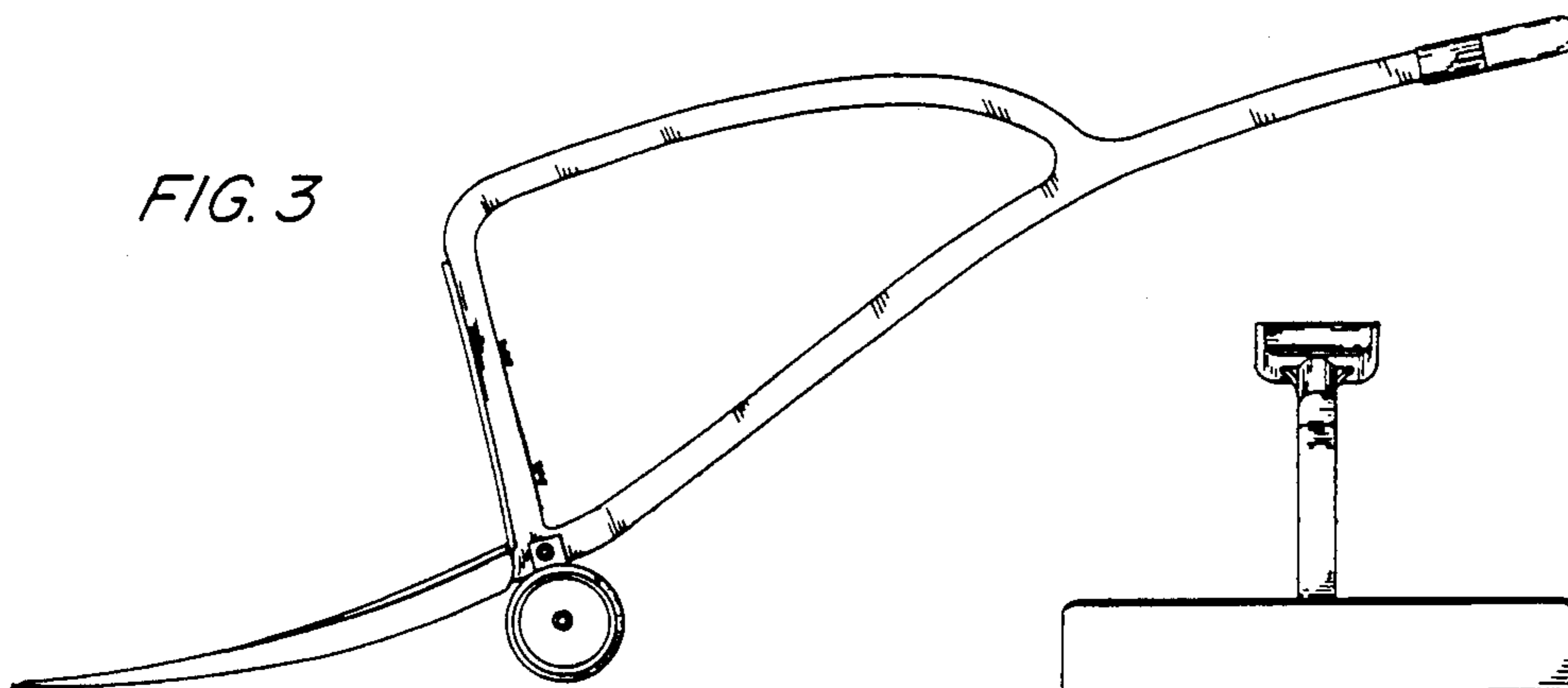
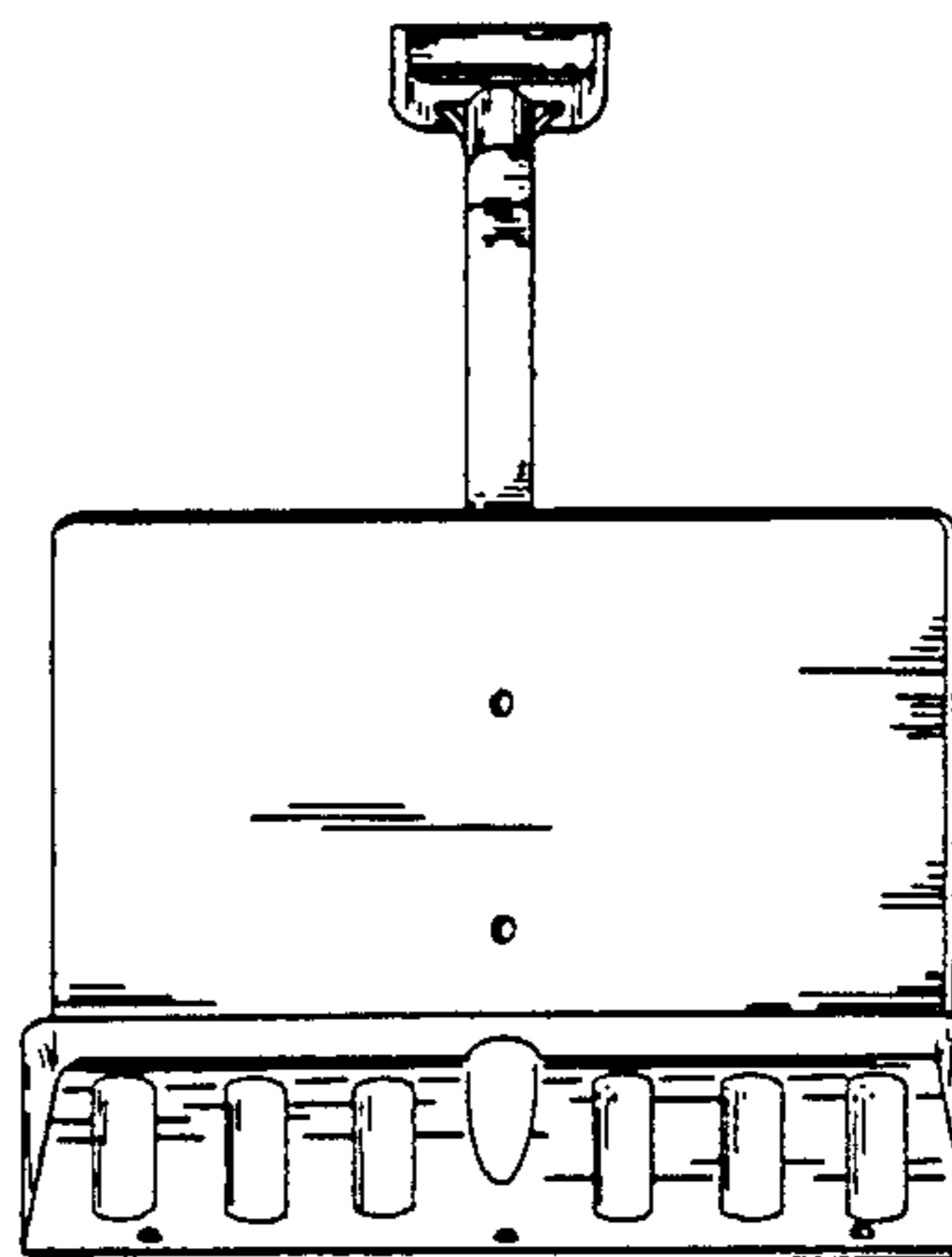


FIG. 4



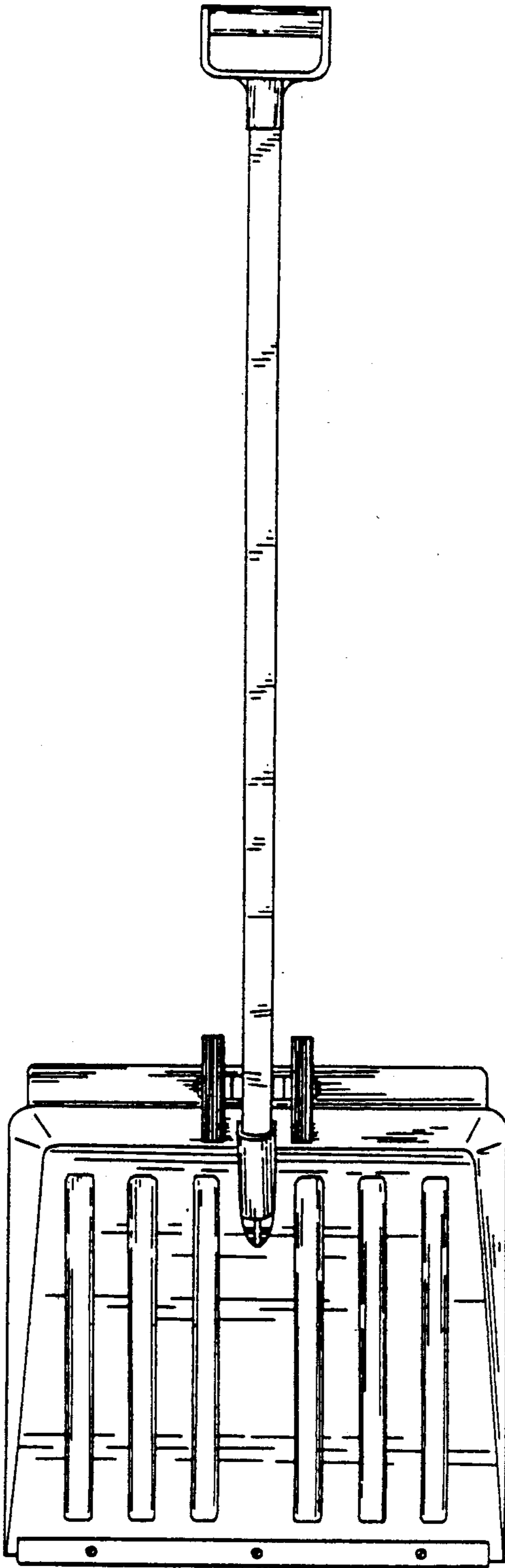


FIG. 5