

[54] BUFFET DINNER PLATE

3,984,024 10/1976 Fauvel 220/72

[76] Inventor: Erna E. Pyle, 30 Drayton Ct., Blaine, Wash. 98230

Primary Examiner—Winifred E. Herrmann
Attorney, Agent, or Firm—Hughes & Multer

[**] Term: 14 Years

[57] CLAIM

[21] Appl. No.: 114,104

The ornamental design for a buffet dinner plate, as shown and described.

[22] Filed: Oct. 27, 1987

[52] U.S. Cl. D7/543; D7/536; D7/548

[58] Field of Search D7/20, 45, 500, 504, D7/505, 507, 533, 536, 543, 548, 319

[56] References Cited

U.S. PATENT DOCUMENTS

- D. 38,512 4/1907 Donovan D7/20
- D. 41,764 9/1911 Sanford .
- D. 41,854 10/1911 Gaylord .
- D. 42,711 7/1912 Sanford .
- D. 49,224 6/1916 Sanford .
- D. 56,914 1/1921 Farber et al. .
- D. 75,432 6/1928 Keller D7/45 X
- D. 197,245 12/1963 Bateson .
- D. 236,409 8/1975 Cyren D7/319
- D. 276,873 12/1984 Gulotta D7/19
- 2,672,250 3/1954 Haslett D7/45 X
- 3,308,953 3/1967 Hinshaw D7/70 X

DESCRIPTION

FIG. 1 is a top, front, and left side perspective view of a buffet dinner plate showing my new design;
 FIG. 2 is a top plan view thereof;
 FIG. 3 is a front elevational view thereof, the rear elevational view being a mirror image;
 FIG. 4 is a left side elevational view thereof;
 FIG. 5 is a right side elevational view thereof.
 FIG. 6 is a bottom plan view thereof.
 FIG. 7 is a top, front, and left side perspective view of a second embodiment of my new design for a buffet dinner plate;
 FIG. 8 is a top plan view of FIG. 7;
 FIG. 9 is a front elevational view of FIG. 7, the rear elevational view being a mirror image;
 FIG. 10 is a left side elevational view of FIG. 7;
 FIG. 11 is a right side elevational view of FIG. 7; and
 FIG. 12 is a bottom plan view of FIG. 7.

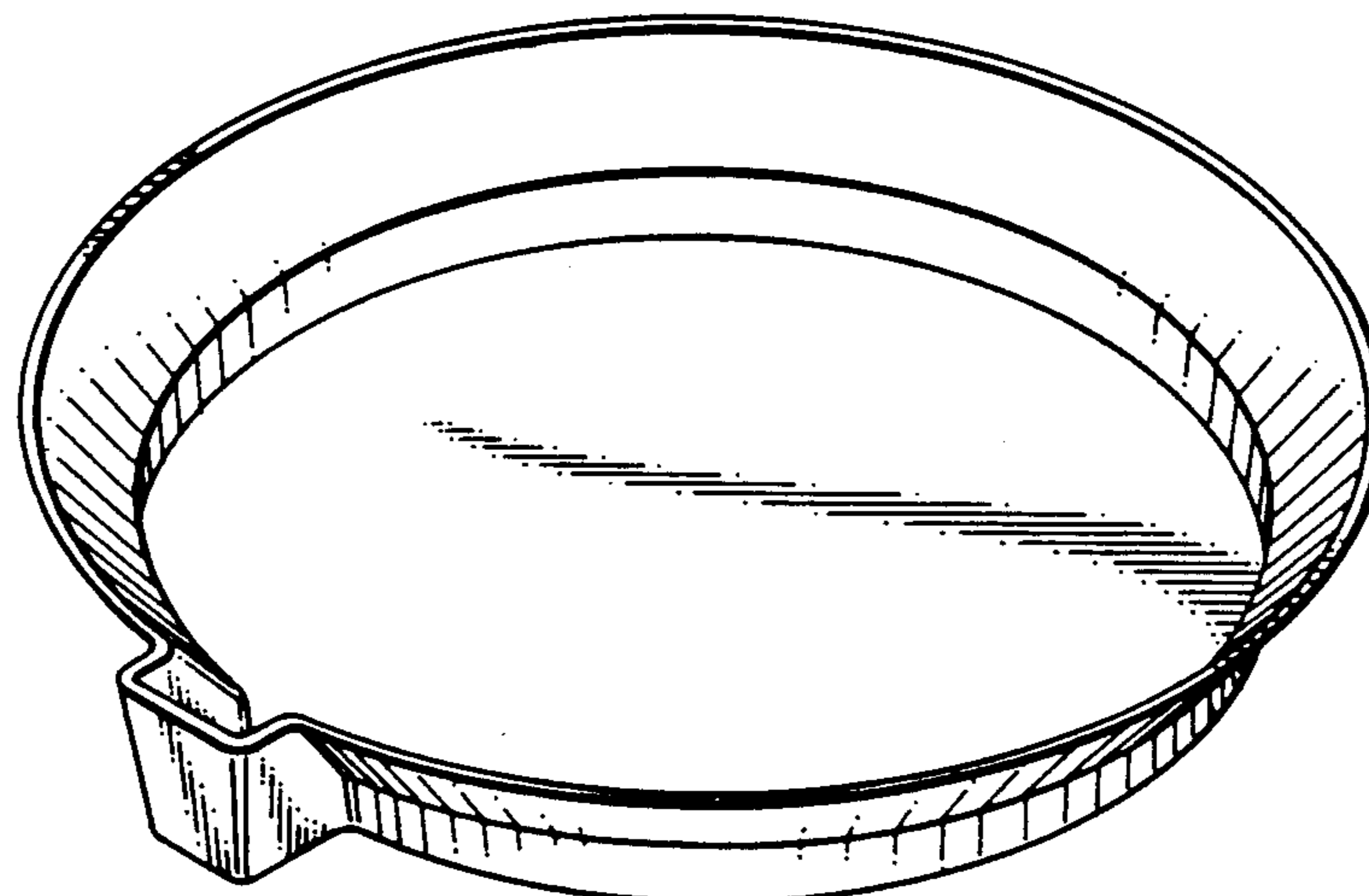
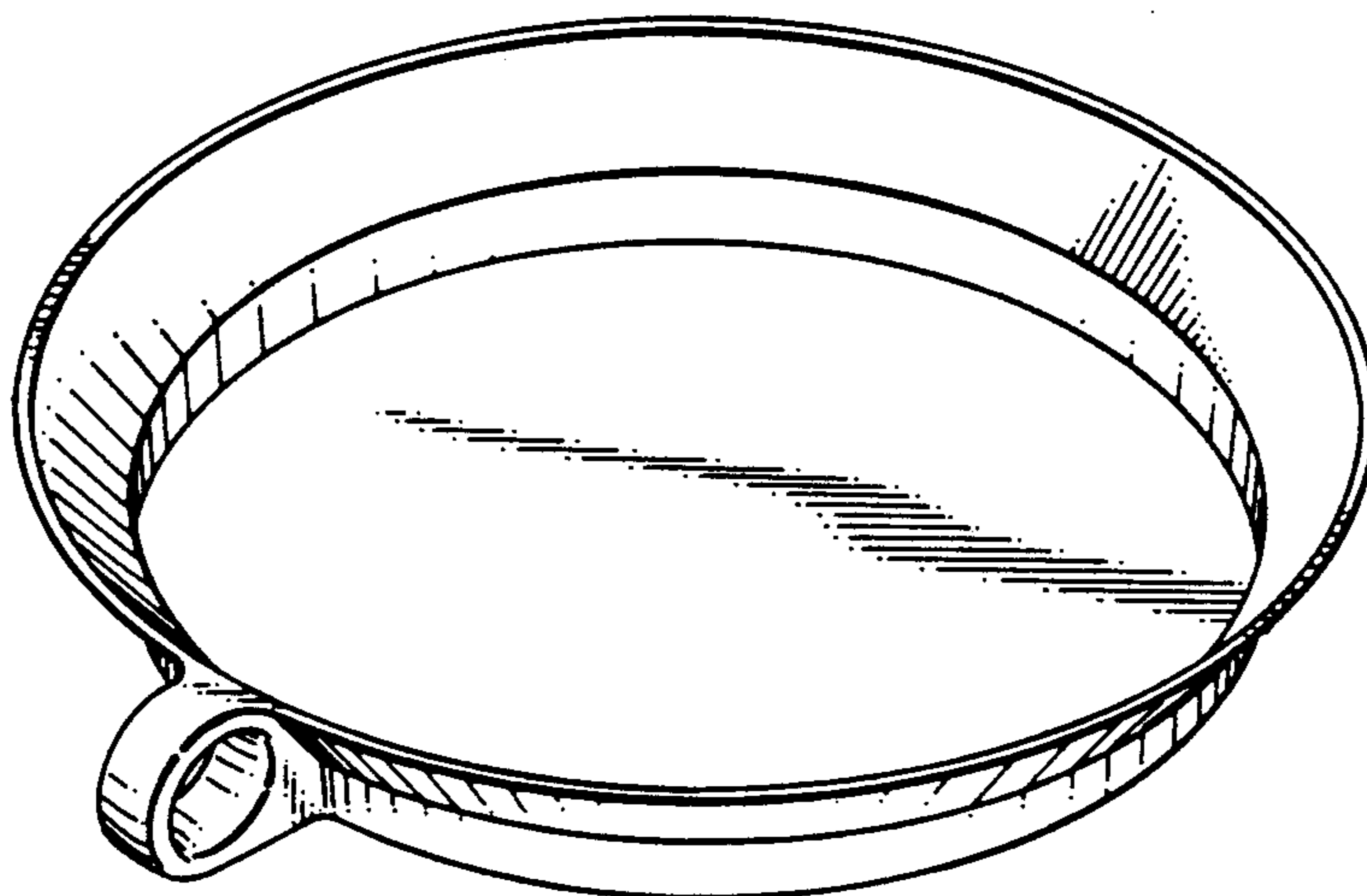


FIG. 1

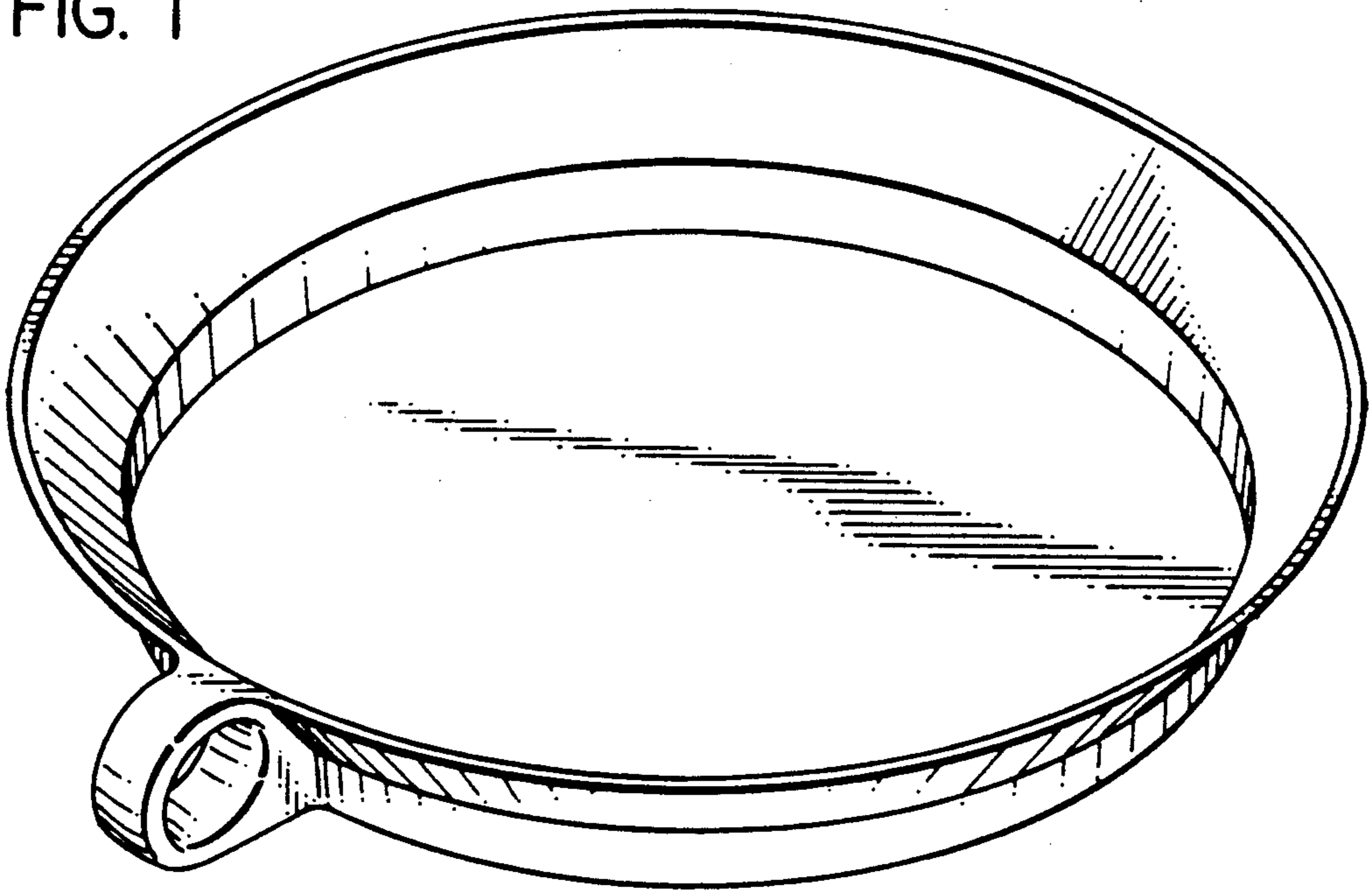


FIG. 2

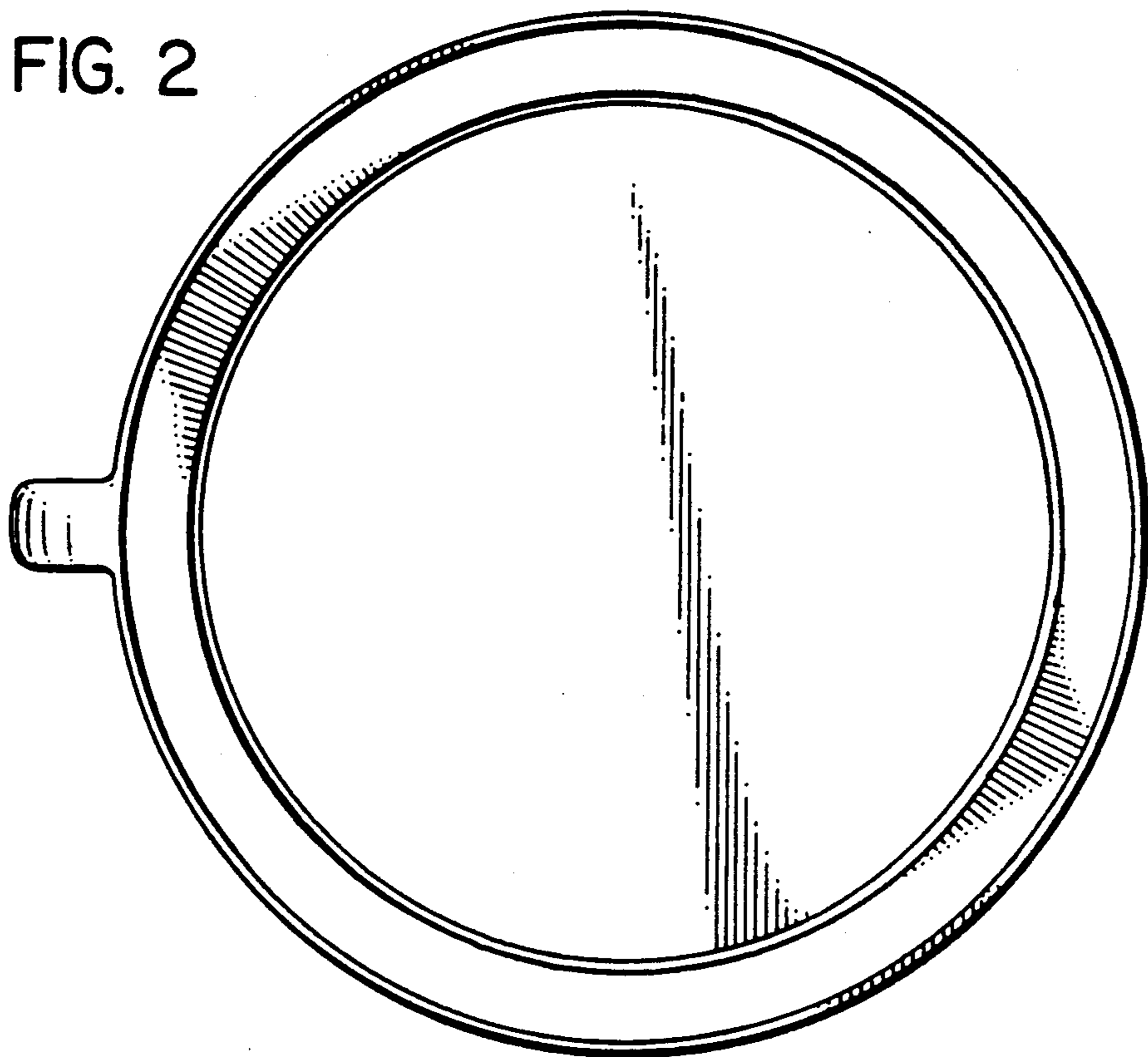


FIG. 3

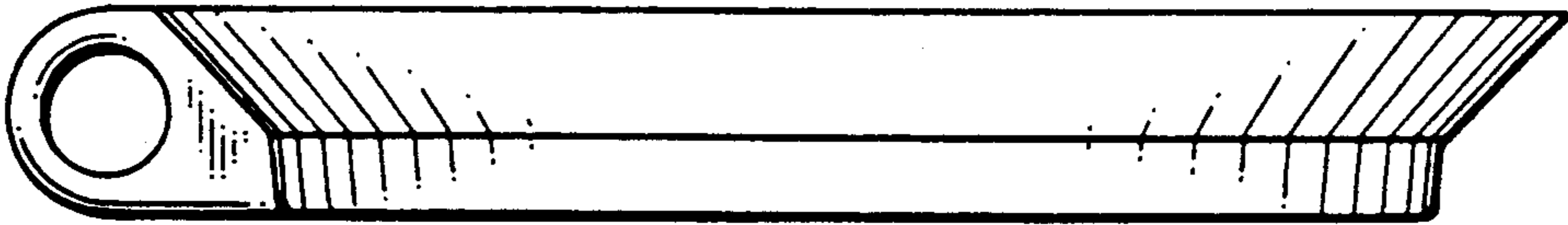


FIG. 4



FIG. 5

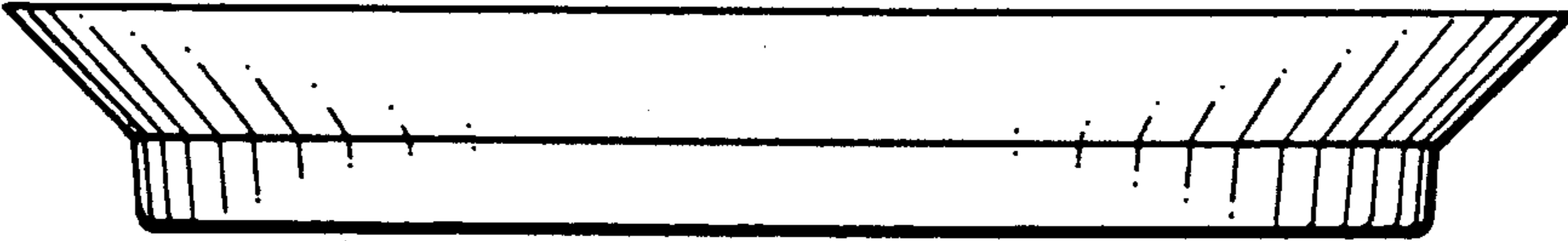
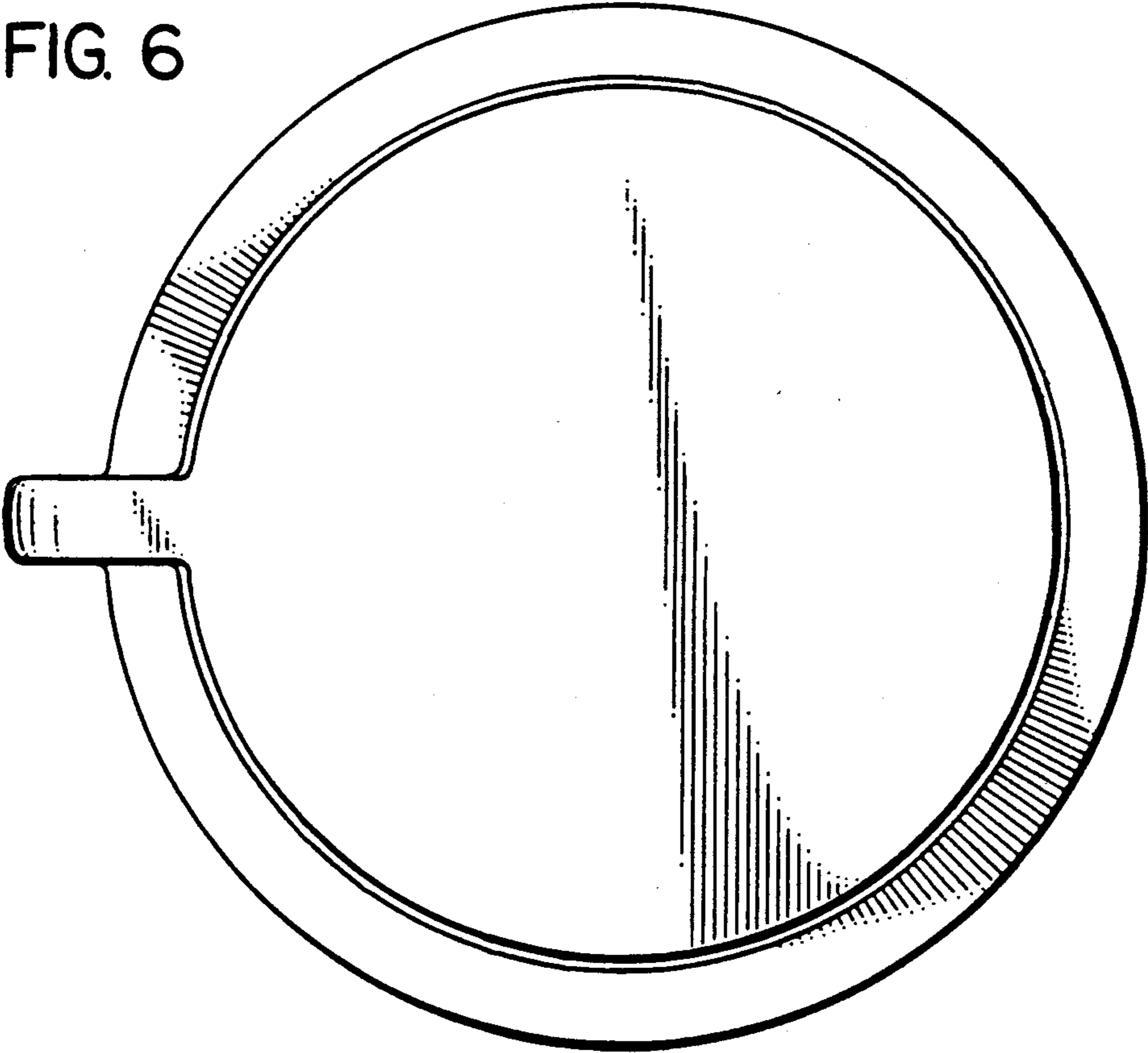


FIG. 6



3/4

FIG. 7

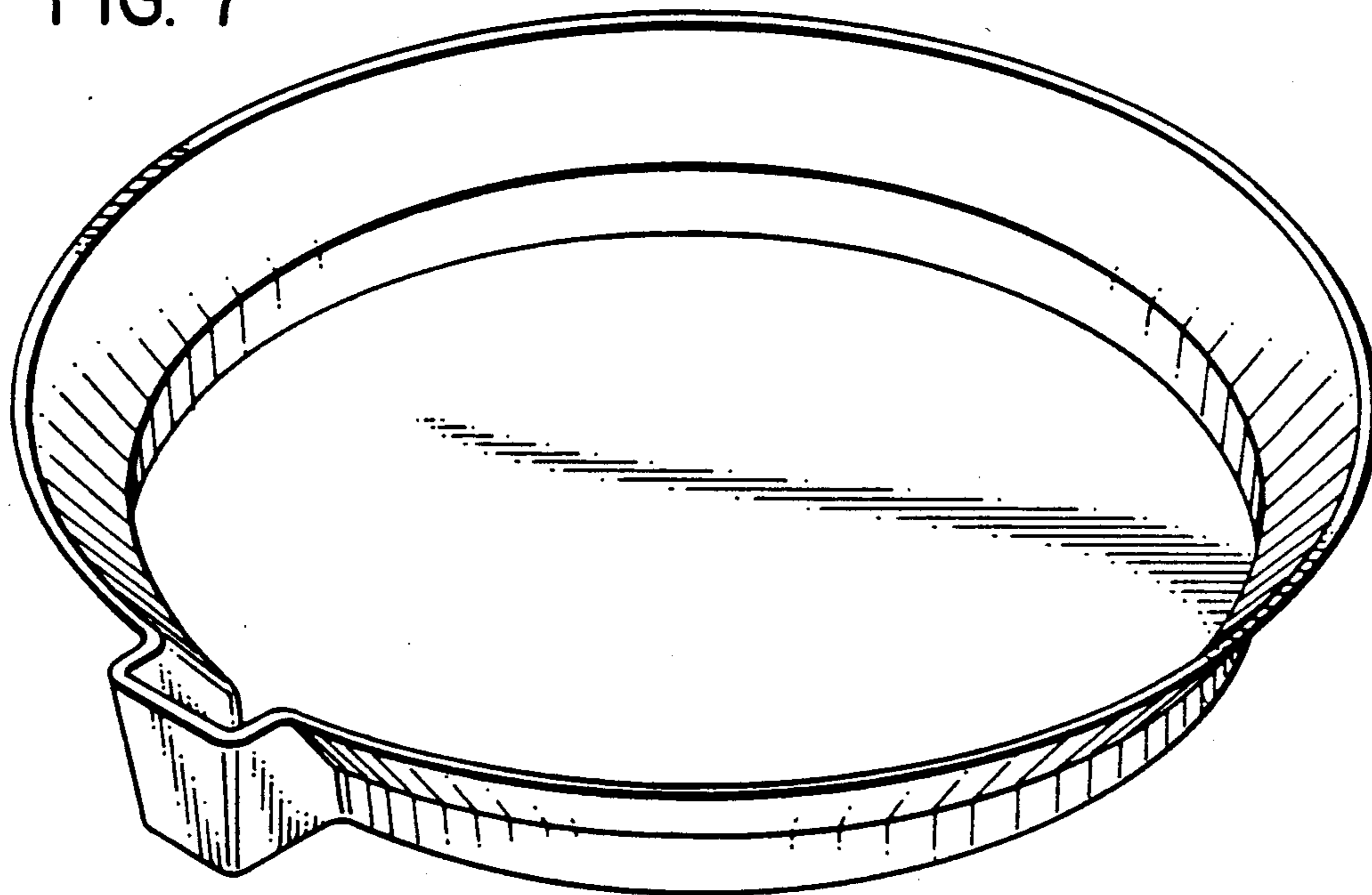
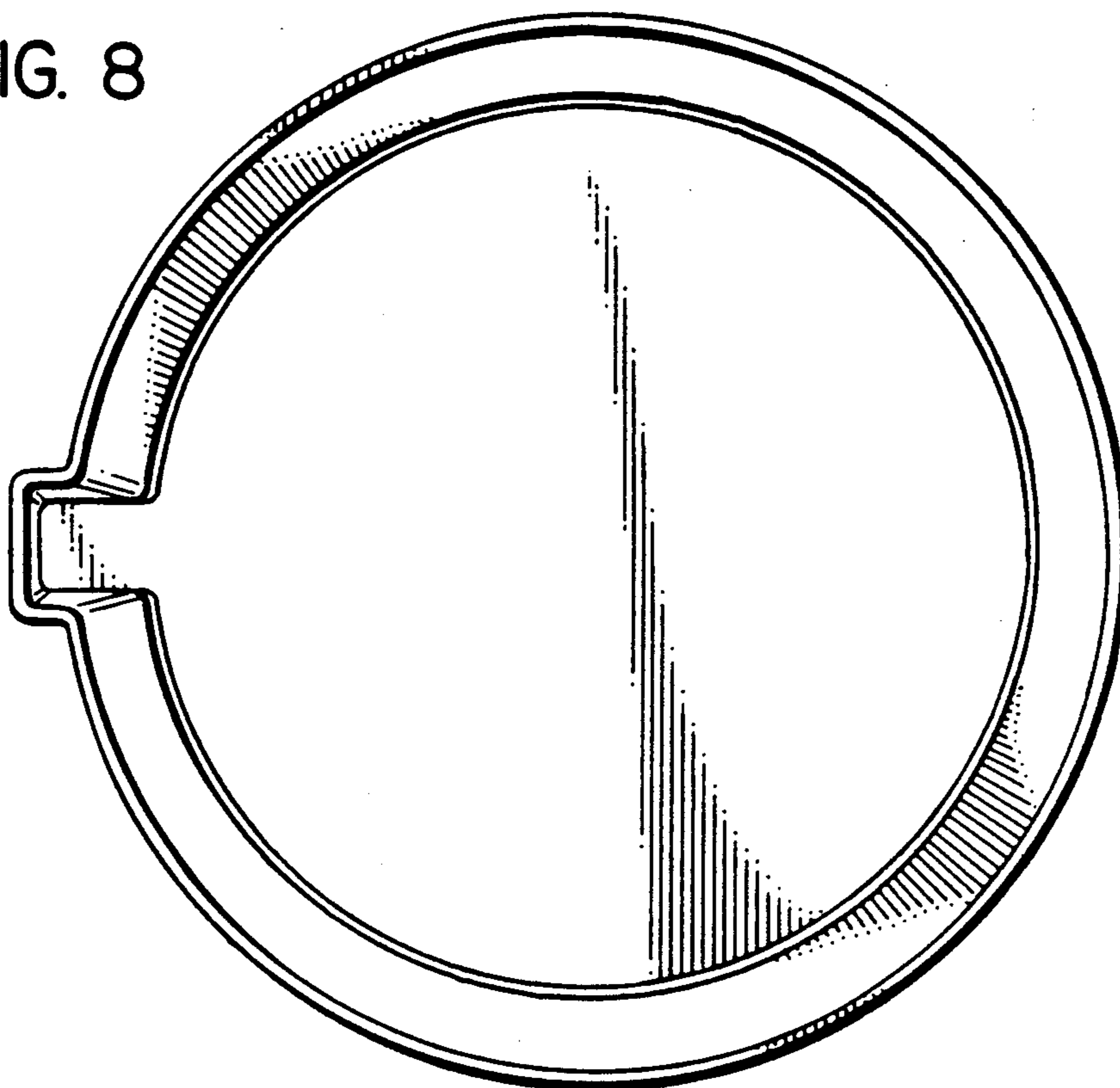


FIG. 8



4/4

FIG. 9

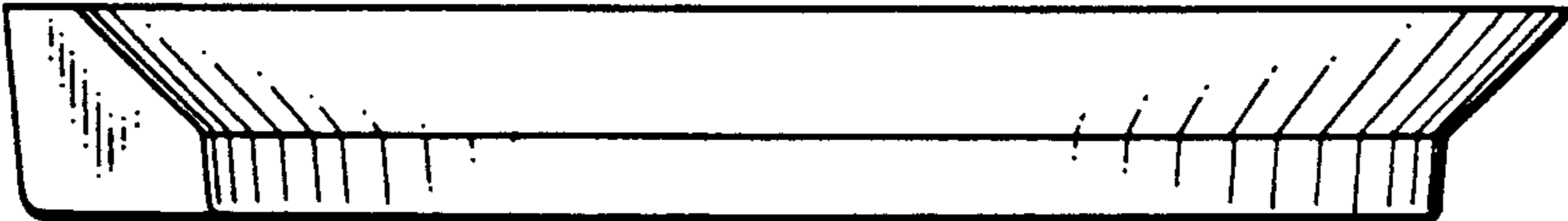


FIG. 10



FIG. 11

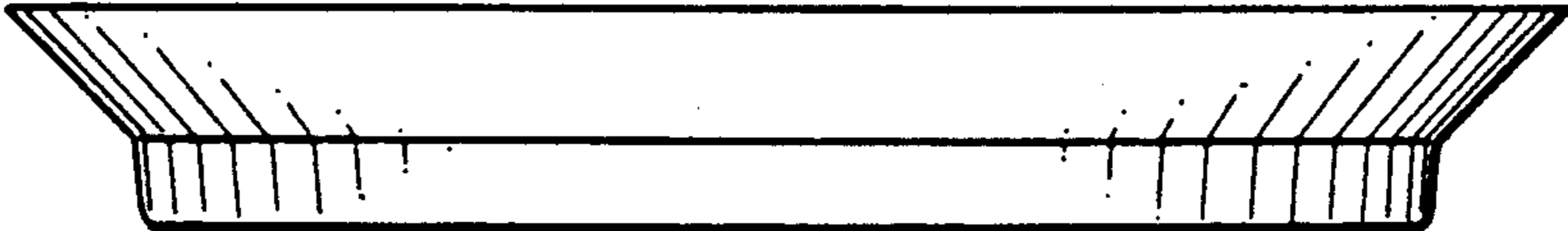


FIG. 12

