

[54] DUST RUFFLE FOR A BED

[76] Inventor: Marjorie Levine, 1520 I St., #301, Coronado, Calif. 92118

[**] Term: 14 Years

[21] Appl. No.: 276,328

[22] Filed: Nov. 25, 1988

[52] U.S. Cl. D6/606

[58] Field of Search D6/595-596, D6/602, 606; 5/482, 493, 499, 508

[56] References Cited

U.S. PATENT DOCUMENTS

- 2,139,980 12/1938 Simon D6/603
- 2,245,779 6/1941 Heil 5/499
- 3,368,601 2/1968 Gantert-Merz D6/617 X
- 3,999,233 12/1976 Morris 5/493

Primary Examiner—Wallace R. Burke
Assistant Examiner—Brian N. Vinson
Attorney, Agent, or Firm—Lewis Massie; David L. Baker; Andsel Group

[57] CLAIM

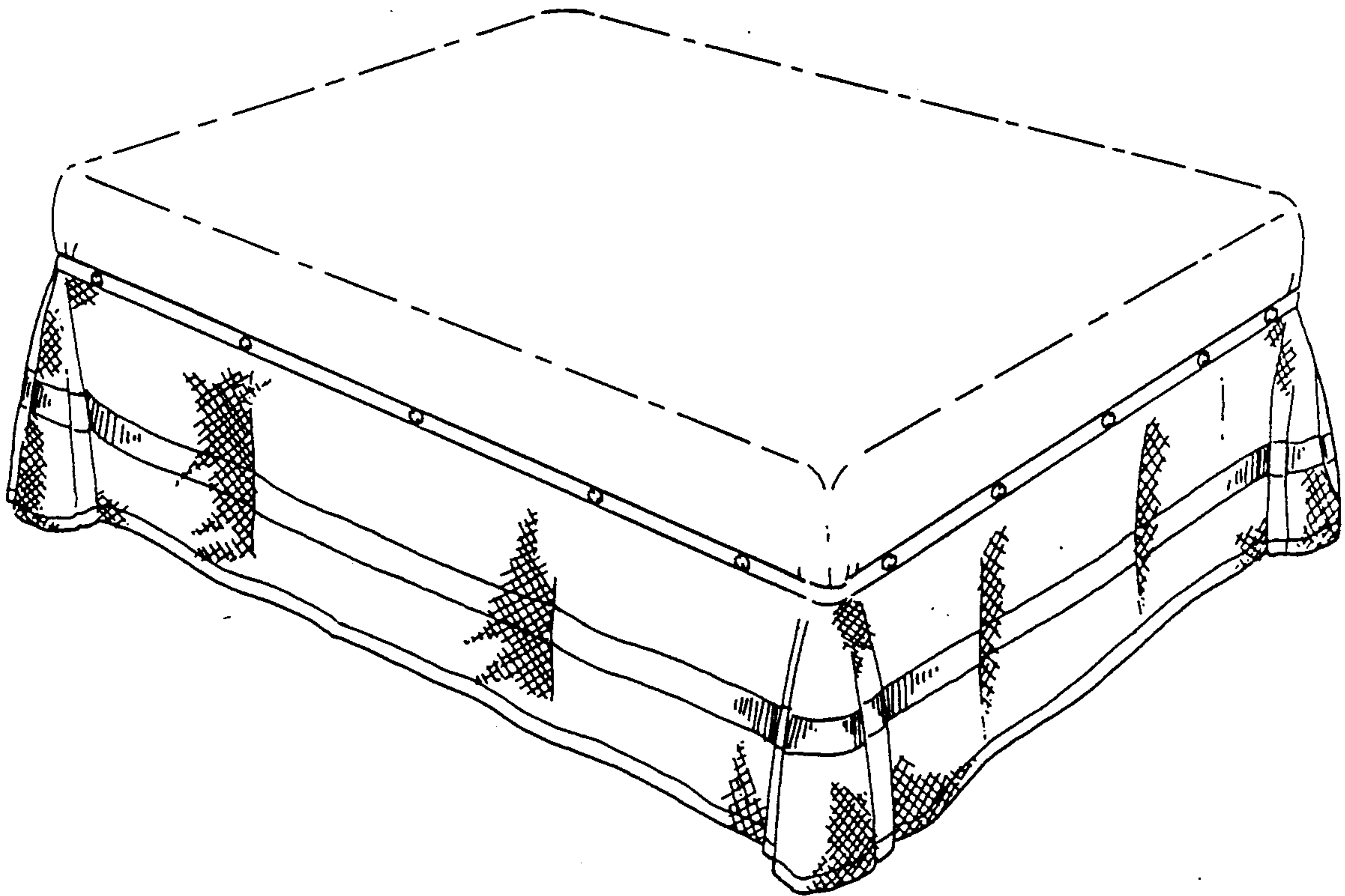
The ornamental design for a dust ruffle for a bed, as shown and described.

DESCRIPTION

FIG. 1 is a top, front, and left side perspective view of a dust ruffle for a bed showing my new design, the undisclosed right side being identical in appearance to the left side; and

FIG. 2 is a rear elevation view thereof.

The broken line depiction of the bed portions is for illustrative purposes only and forms no part of the claimed design and the cross-hatching is intended to represent a conventional fabric material.



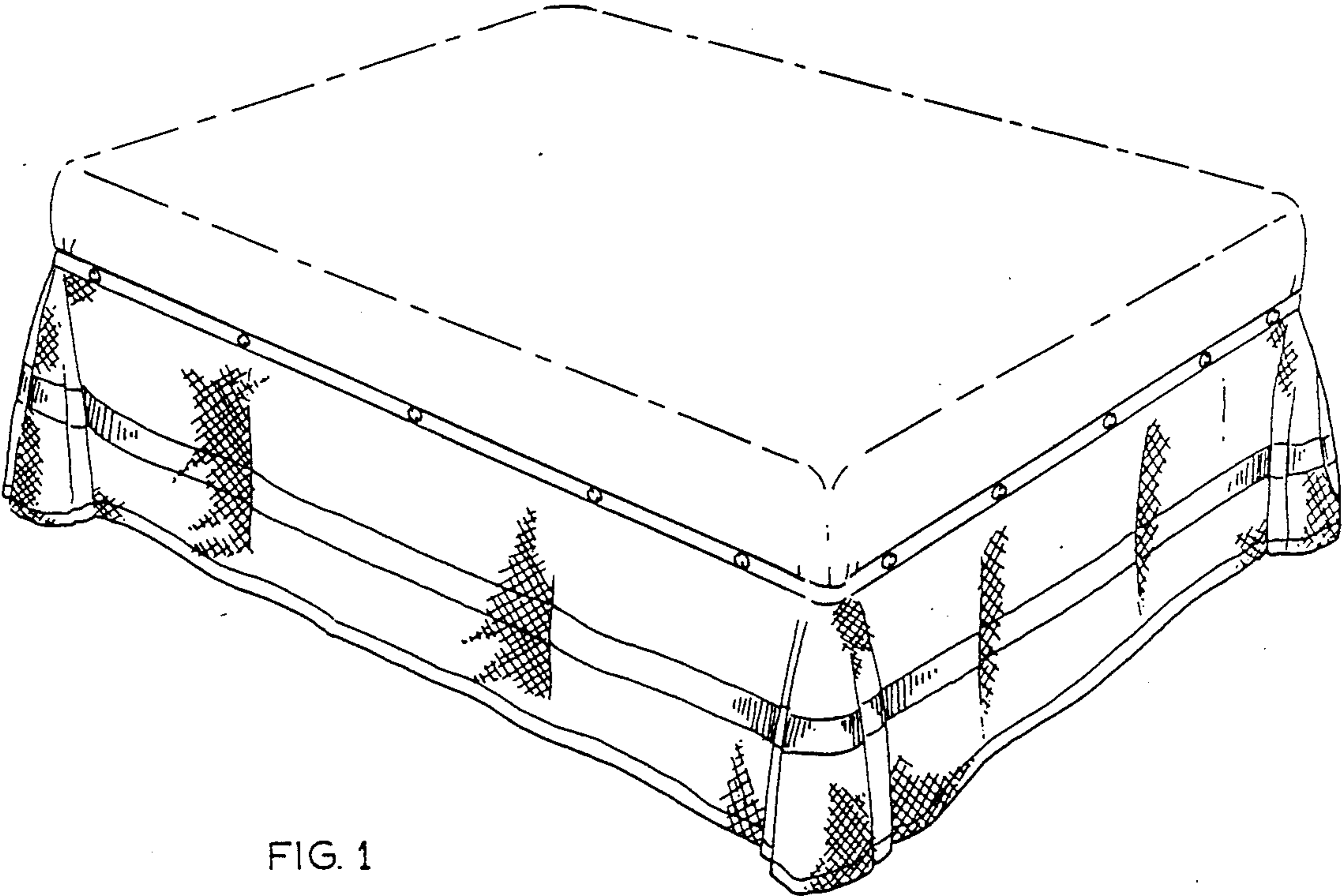


FIG. 1

FIG. 2

