

United States Patent [19]

Glaspie

[11] Patent Number: Des. 314,303

[45] Date of Patent: ** Feb. 5, 1991

[54] ARCHERY BOW HOLDER

[76] Inventor: James W. Glaspie, 31226 Kenady La., Cottage Grove, Oreg. 97424

[**] Term: 14 Years

[21] Appl. No.: 337,541

[22] Filed: Apr. 14, 1989

[52] U.S. Cl. D6/552; D12/157; D22/107

[58] Field of Search D22/107; D6/552, 553, D6/468; D3/38; D12/157; 211/60.1, 63, 64; 224/916; 124/23.1, 24.1, 44.5; 248/309.1, 122, 126; D8/354

[56] **References Cited**

U.S. PATENT DOCUMENTS

D. 260,674 9/1981 Simmons et al. D6/552

D. 268,574 4/1983 Hampton D12/157
D. 301,734 6/1989 Pernosky D8/354 X
3,082,878 3/1963 Thomas 211/60.1
4,450,967 5/1984 Castro 211/13

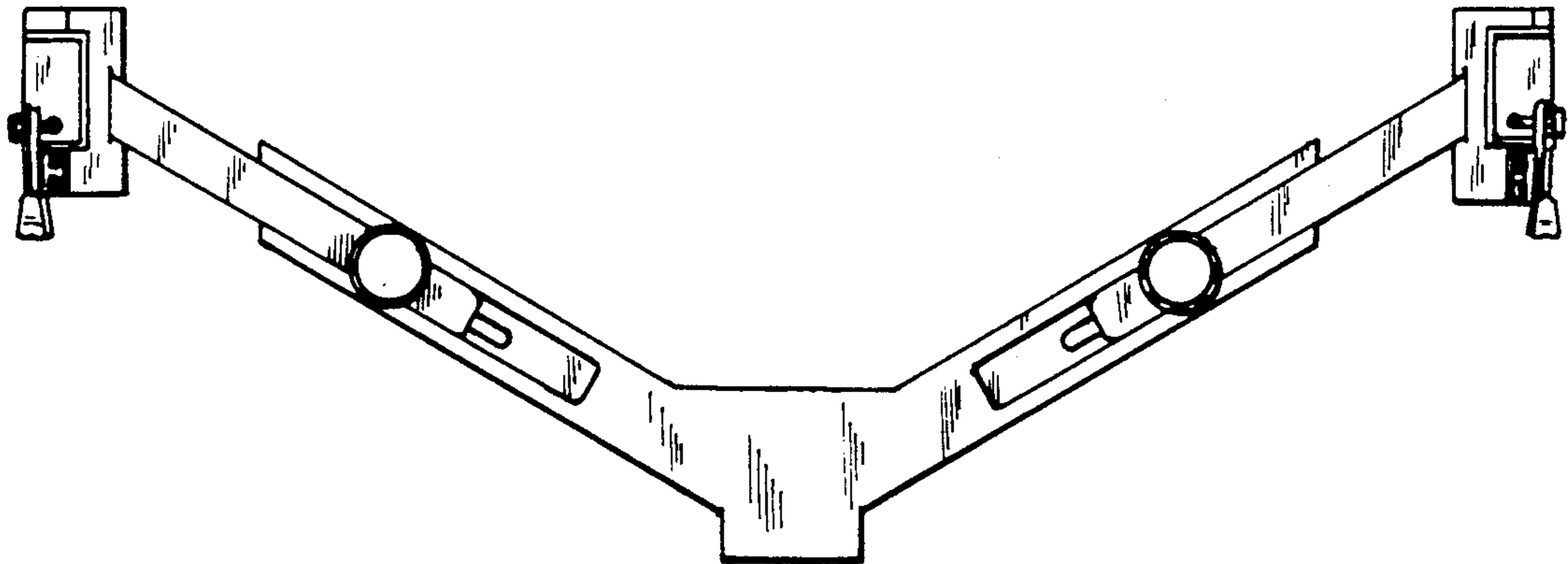
Primary Examiner—A. Hugo Word
Assistant Examiner—Doris V. Coles
Attorney, Agent, or Firm—John F. Ingman

[57] **CLAIM**

The ornamental design for an archery bow holder, as shown and described.

DESCRIPTION

FIG. 1 is a top plan view of an archery bow holder, showing my new design;
FIG. 2 is a right side elevational view thereof;
FIG. 3 is a bottom plan view thereof;
FIG. 4 is a left side elevational view thereof; and
FIG. 5 is an end elevational view, the opposite end being a mirror image thereof.



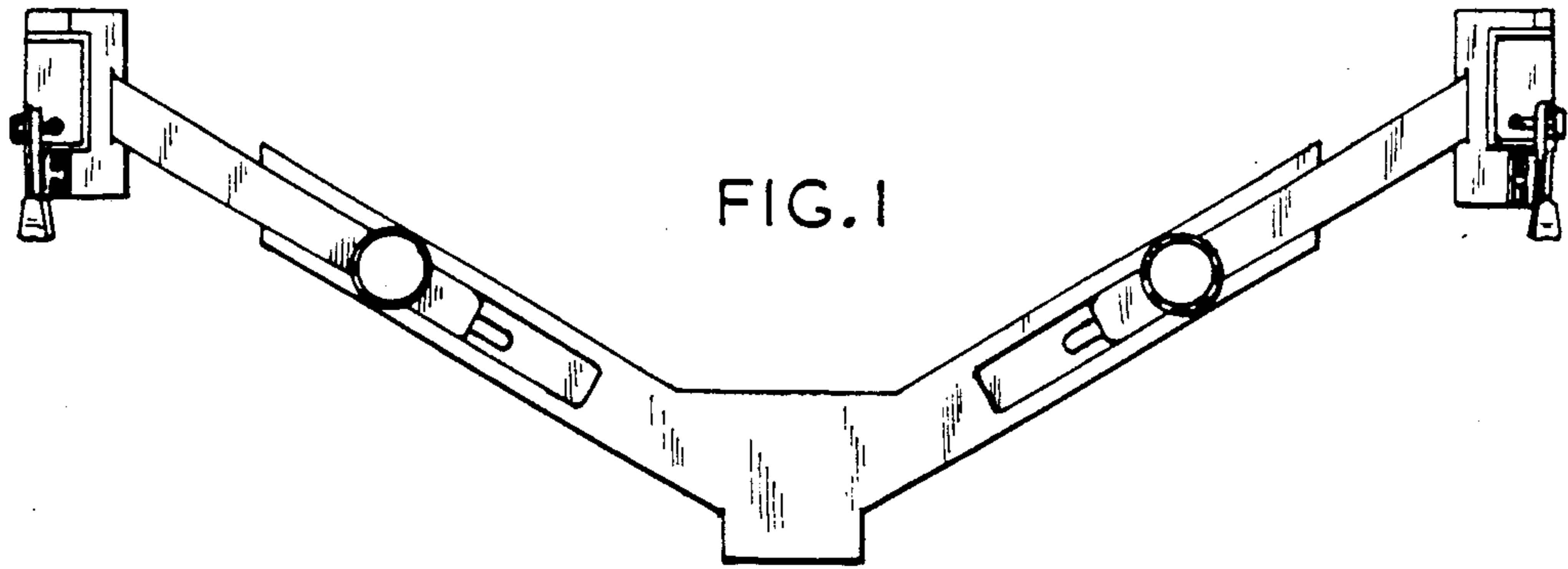


FIG. 1

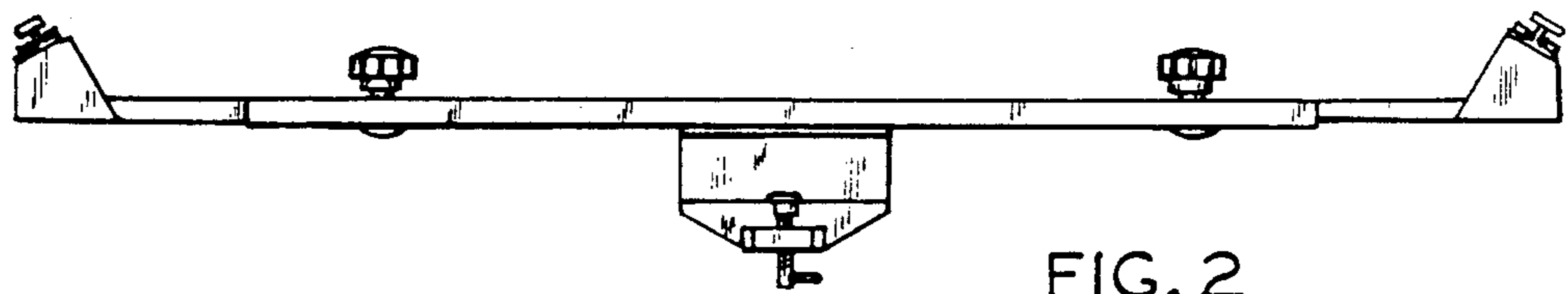


FIG. 2

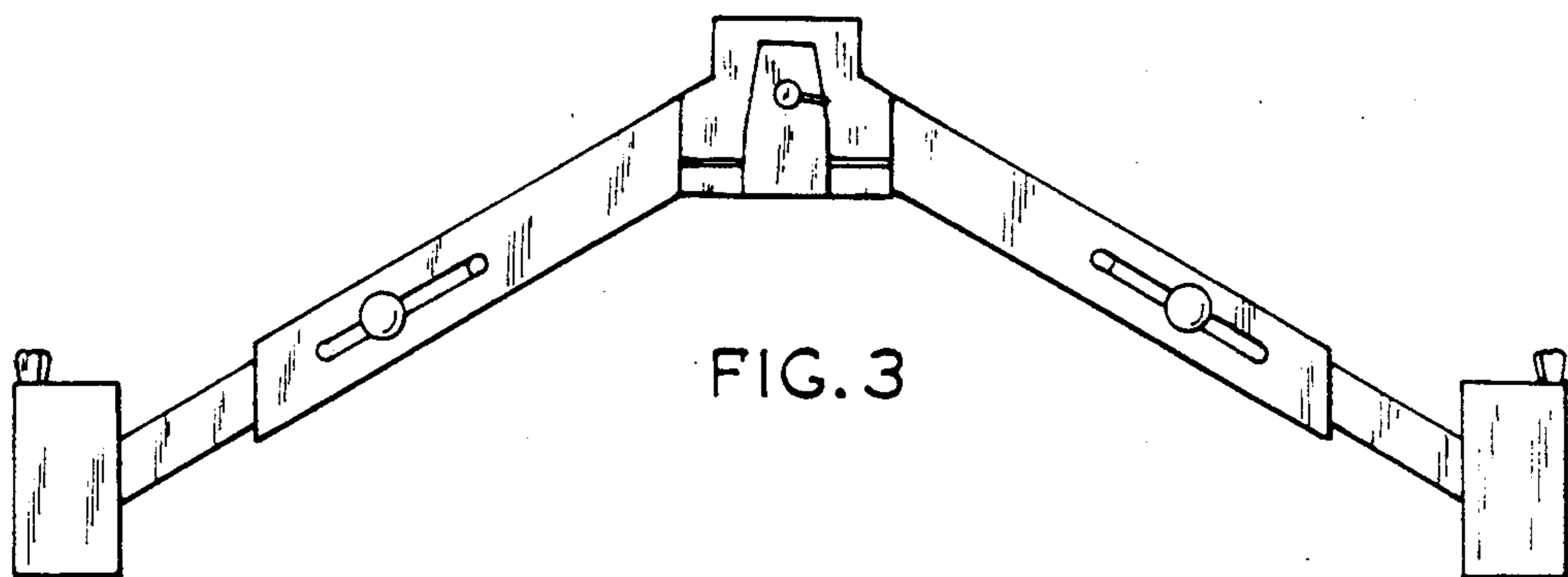


FIG. 3

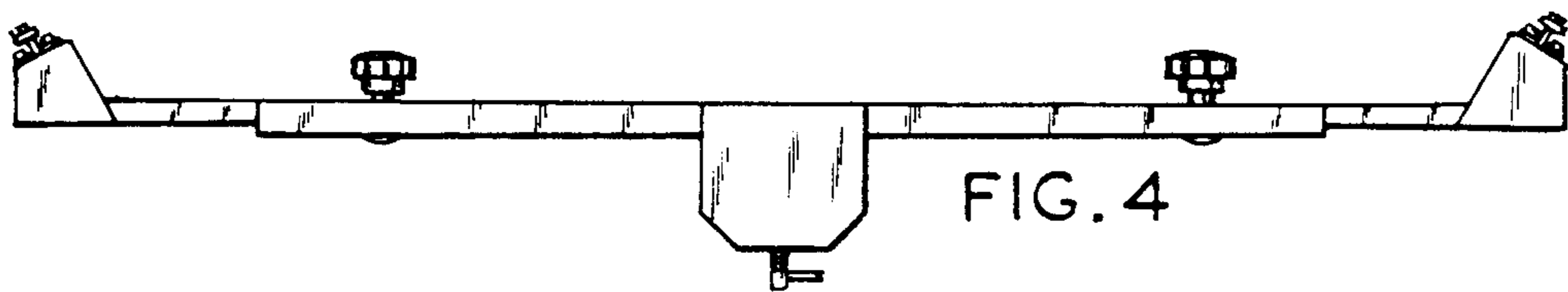


FIG. 4

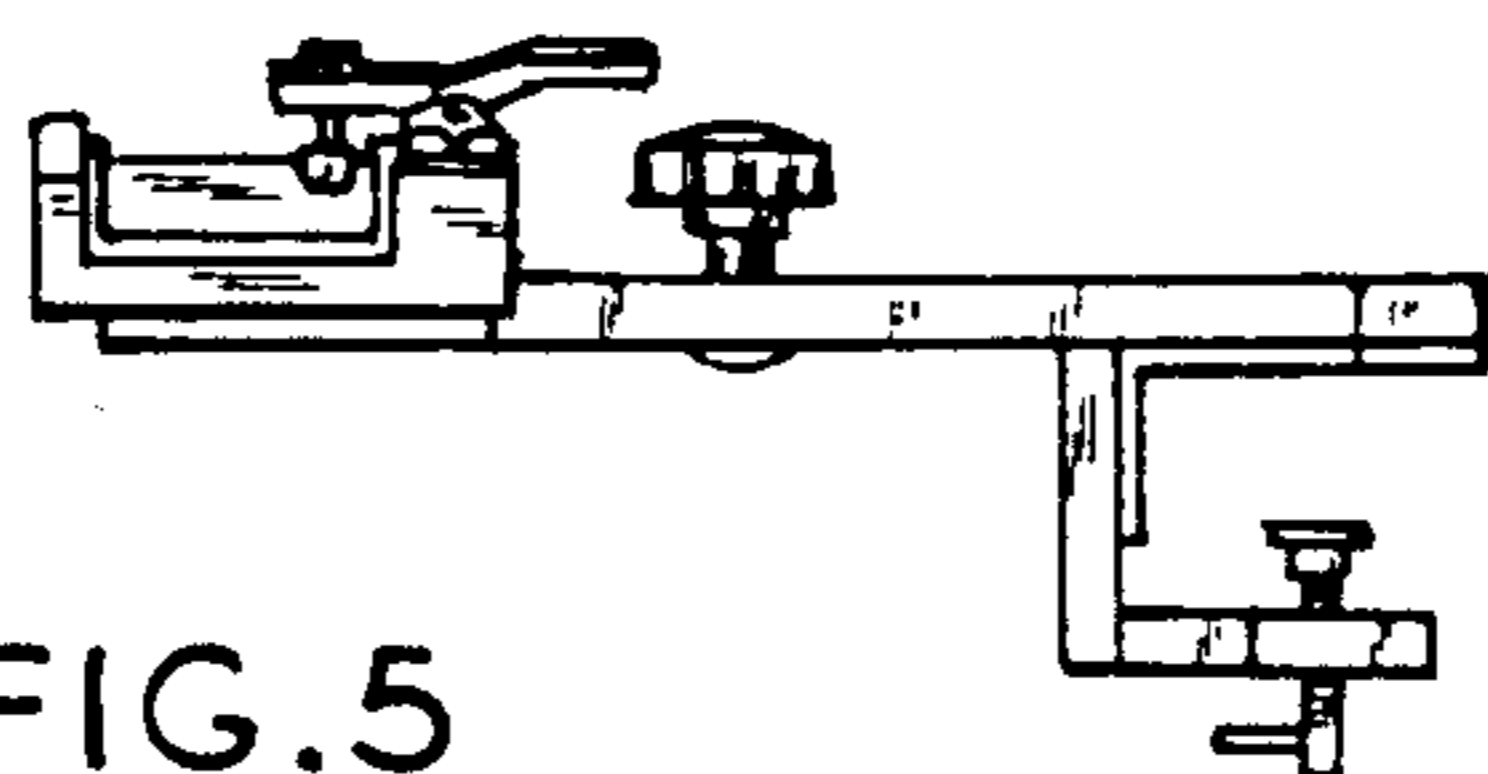


FIG. 5