

[54] **TABLE LEG**

[75] **Inventor: Niels Diffrient, Ridgefield, Conn.**

[73] **Assignee: Howe Furniture Corporation, Trumbull, Conn.**

[**] **Term: 14 Years**

[21] **Appl. No.: 182,061**

[22] **Filed: Apr. 14, 1988**

[52] **U.S. Cl. D6/495; D6/498**

[58] **Field of Search D6/491, 495, 496, 498, D6/499-502, 486, 366, 393, 480, 482, 489, 363**

[56] **References Cited**

U.S. PATENT DOCUMENTS

D. 161,897	2/1951	Bishop et al.	D6/498
D. 178,408	7/1956	Konkle	D6/495
D. 203,199	12/1965	Beckman	D6/495
D. 223,498	4/1972	Baum	D6/495
D. 277,717	2/1985	Petrick	D6/495

OTHER PUBLICATIONS

Interiors, 12-1972, p. 31, Johnson Tables, "Tray Top" top center.

Primary Examiner—Bruce W. Dunkins
Assistant Examiner—Janice E. Seeger
Attorney, Agent, or Firm—Parmelee, Bollinger & Bramblett

[57] **CLAIM**

The ornamental design for a table leg, as shown and described.

DESCRIPTION

FIG. 1 is a perspective view of a table leg, showing my new design;
FIG. 2 is a top plan view;
FIG. 3 is an elevational view, showing the side not shown in FIG. 1;
FIG. 4 is an elevational view, showing one of the two identical ends; and
FIG. 5 is a bottom plan view.

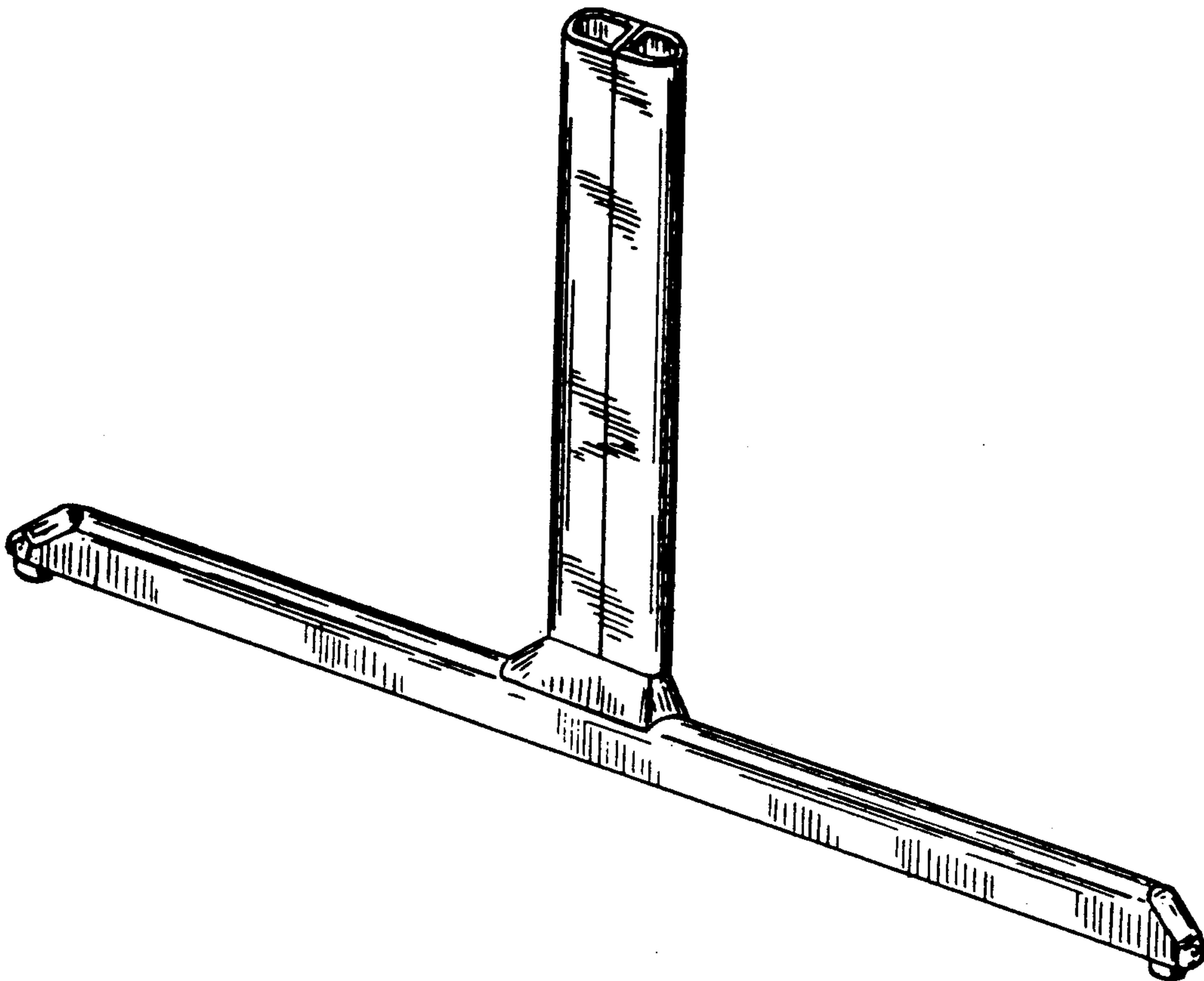


Fig. 1.

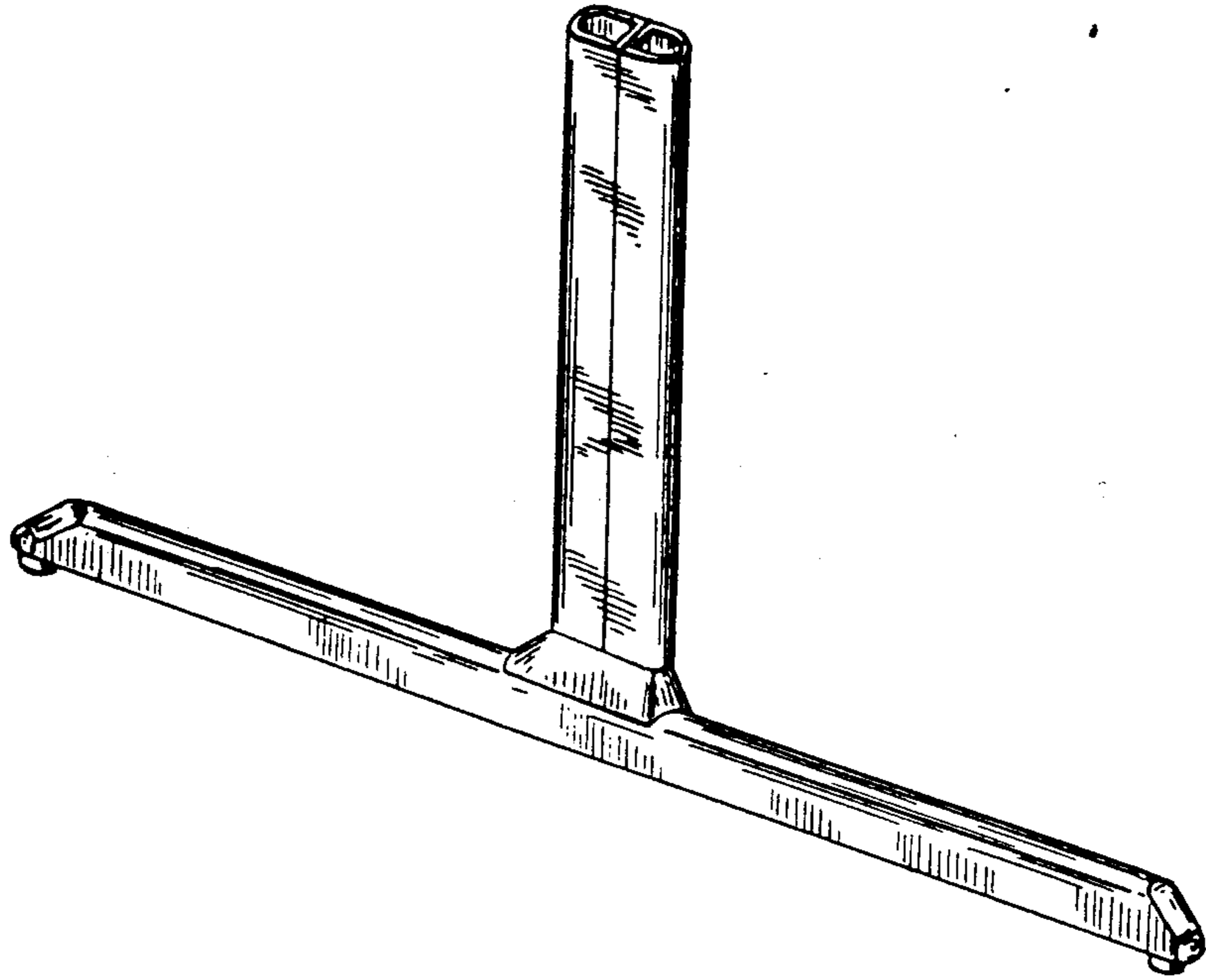


Fig. 2.



Fig. 3.

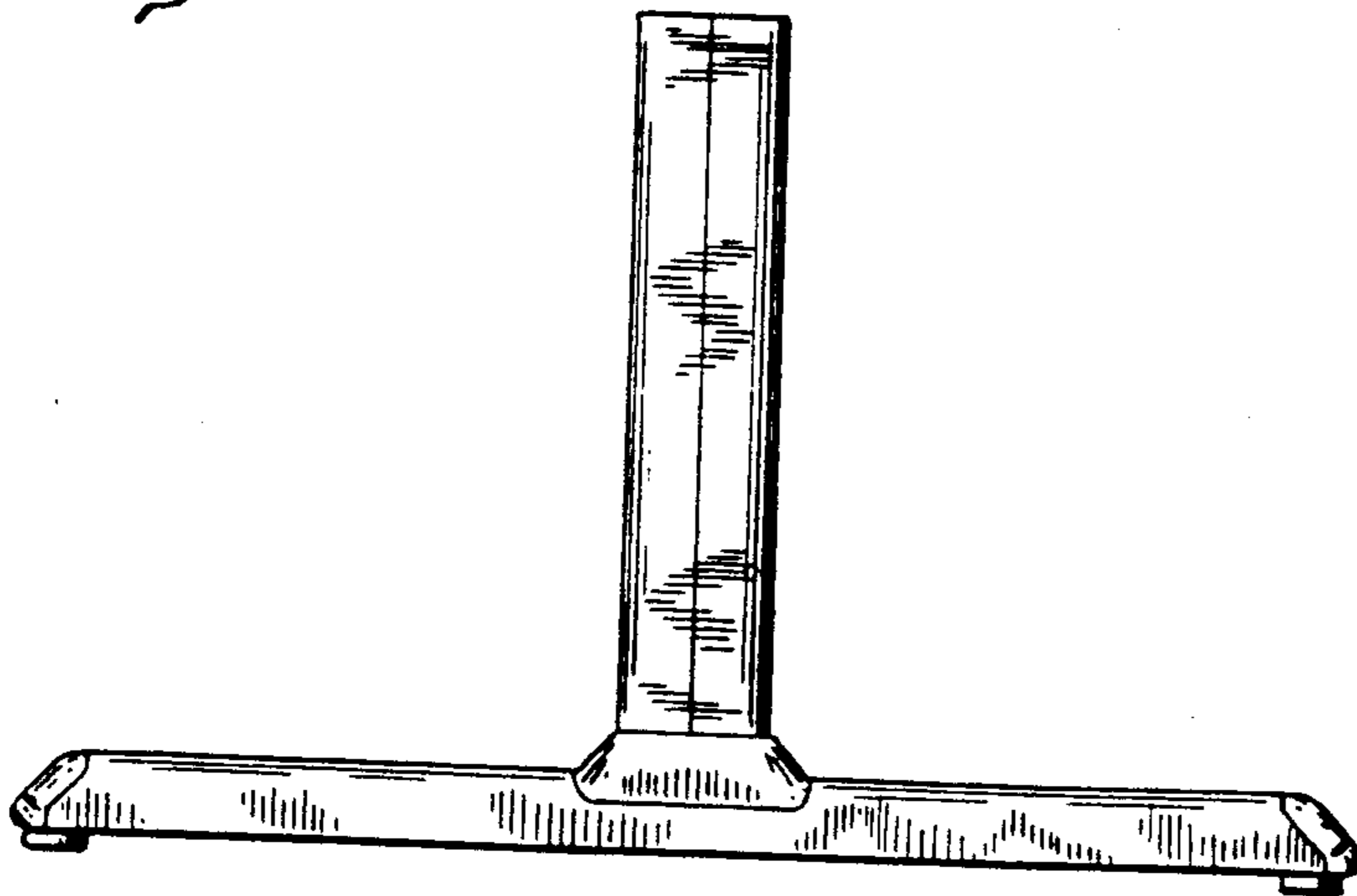


Fig. 4.



Fig. 5.