

[54] **TABLE**
[75] **Inventor: Steven Holl, New York, N.Y.**
[73] **Assignee: Pace Collection, Inc., Long Island City, N.Y.**
[**] **Term: 14 Years**
[21] **Appl. No.: 190,936**
[22] **Filed: May 6, 1988**
[52] **U.S. Cl. D6/484; D6/480**
[58] **Field of Search D6/480-486, D6/488, 489, 495, 429, 455, 460, 461, 474, 477-479, 470**

D. 303,741 10/1989 Lefkowitz D6/482 X
Primary Examiner—Bruce W. Dunkins
Assistant Examiner—Janice Seeger
Attorney, Agent, or Firm—Darby & Darby

[57] **CLAIM**
The ornamental design for a table, as shown and described.

DESCRIPTION

FIG. 1 is a top perspective view of a table showing my new design;
FIG. 2 is a side elevational view;
FIG. 3 is a side elevational view of the table shown rotated 90 degrees with respect to FIG. 2;
FIG. 4 is a side elevational view, showing the side opposite that shown in FIG. 2;
FIG. 5 is a side elevational view, showing the side opposite that shown in FIG. 3;
FIG. 6 is a top plan view thereof; and
FIG. 7 is a bottom plan view.

[56] **References Cited**
U.S. PATENT DOCUMENTS
D. 192,603 4/1962 Dahl D6/488
D. 264,531 5/1982 Trode D6/483 X
D. 290,668 7/1987 Lundy D6/484
D. 303,740 10/1989 Lefkowitz D6/489 X

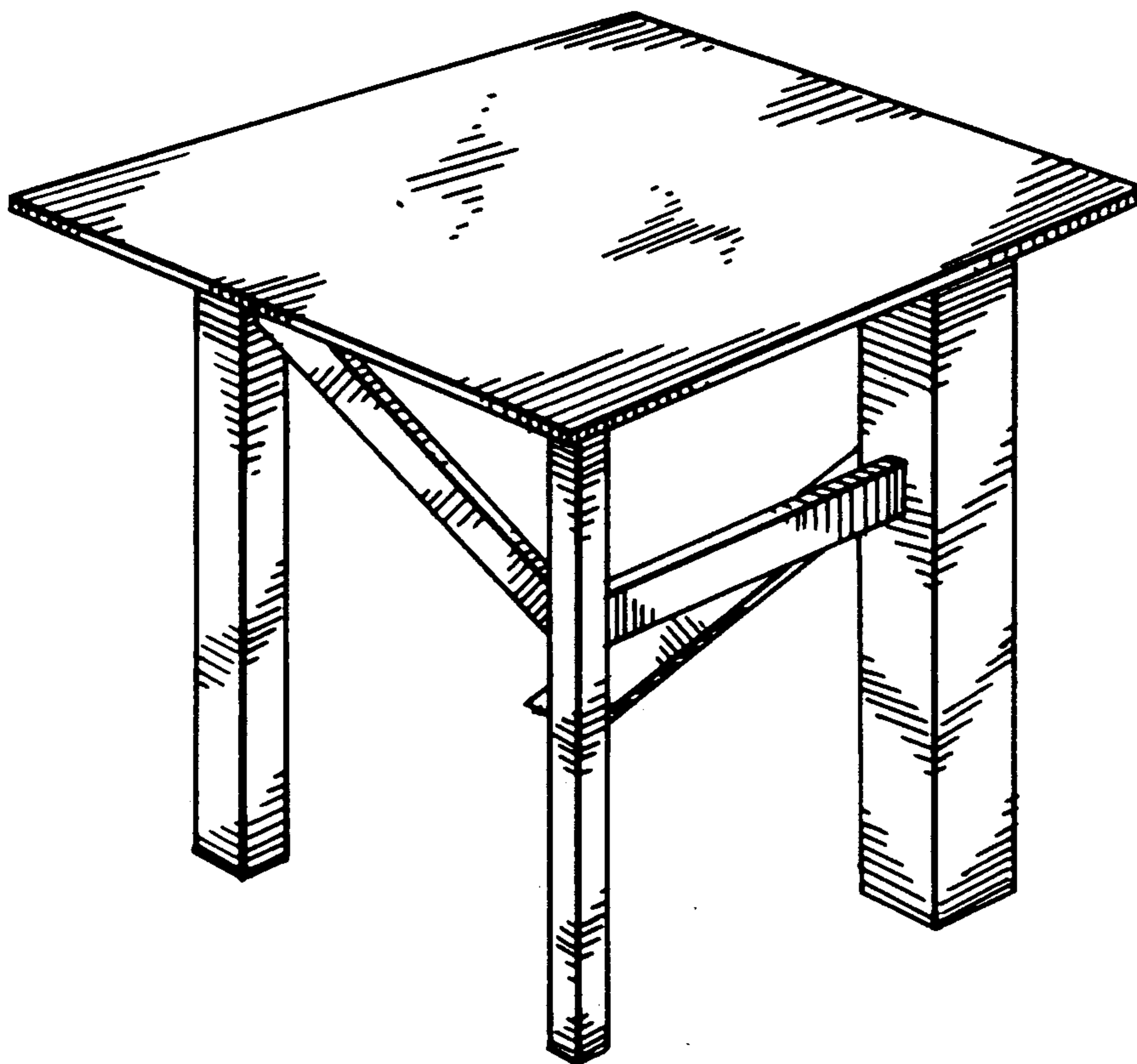


FIG. 1

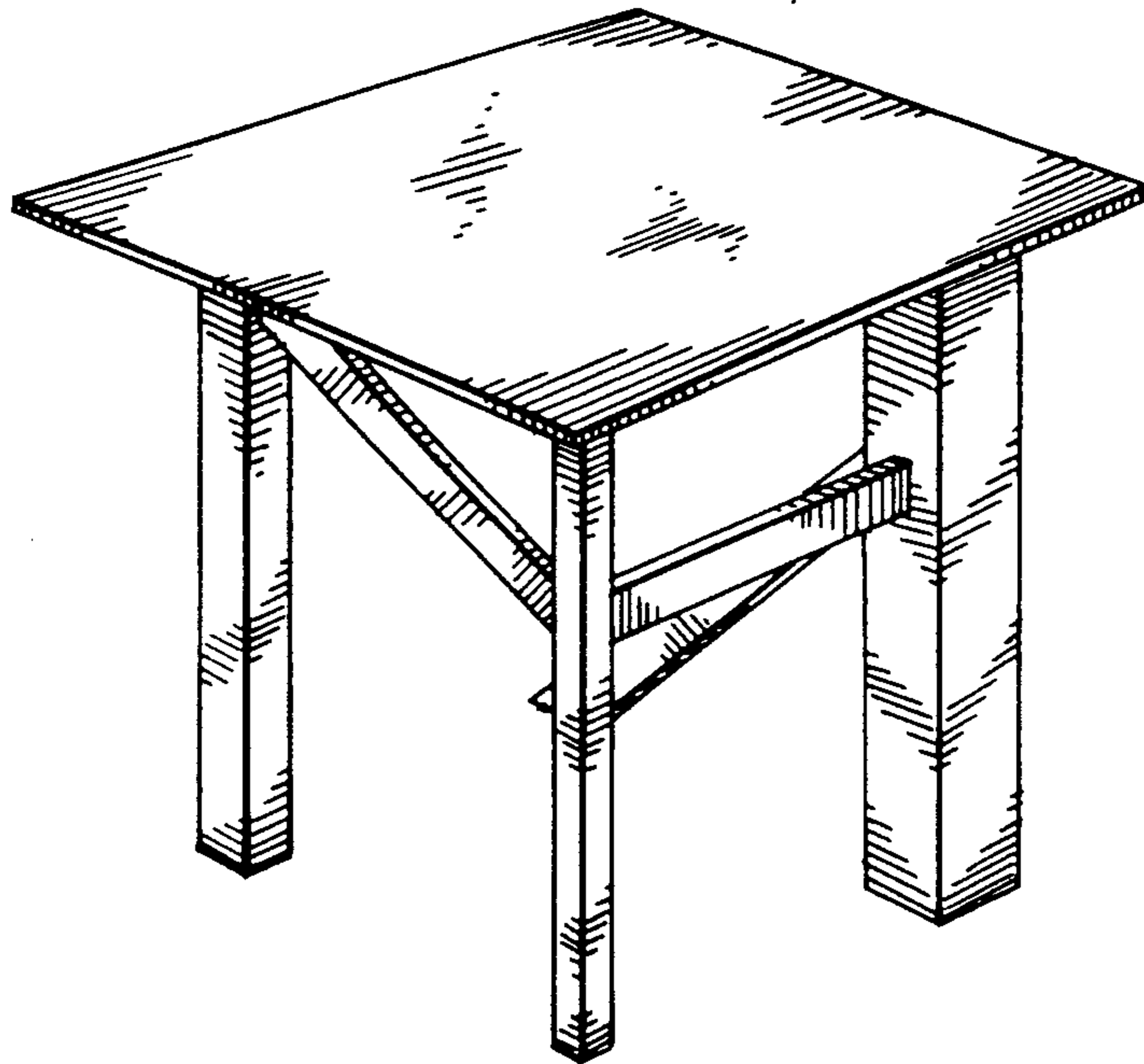


FIG. 2

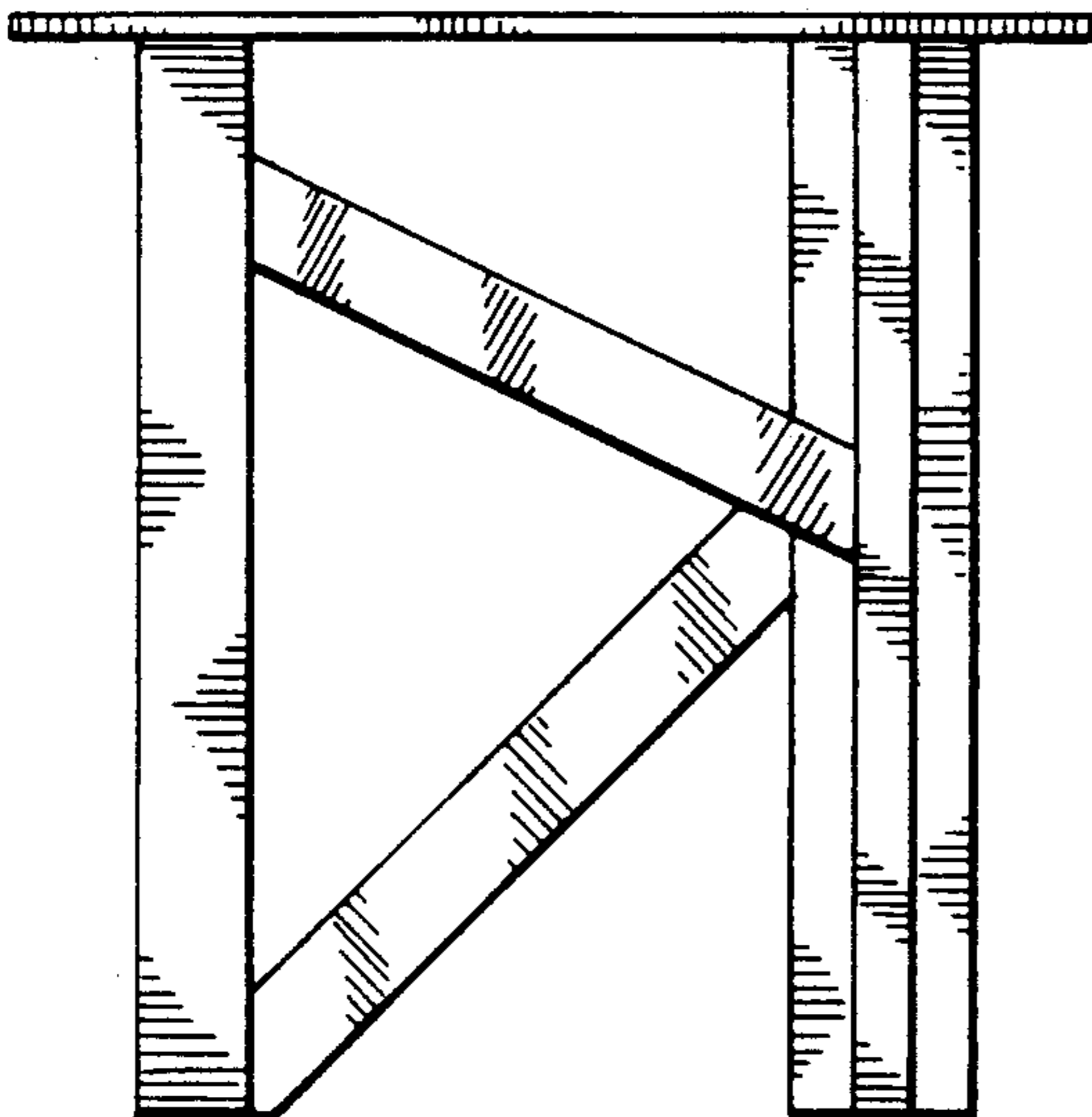


FIG. 3

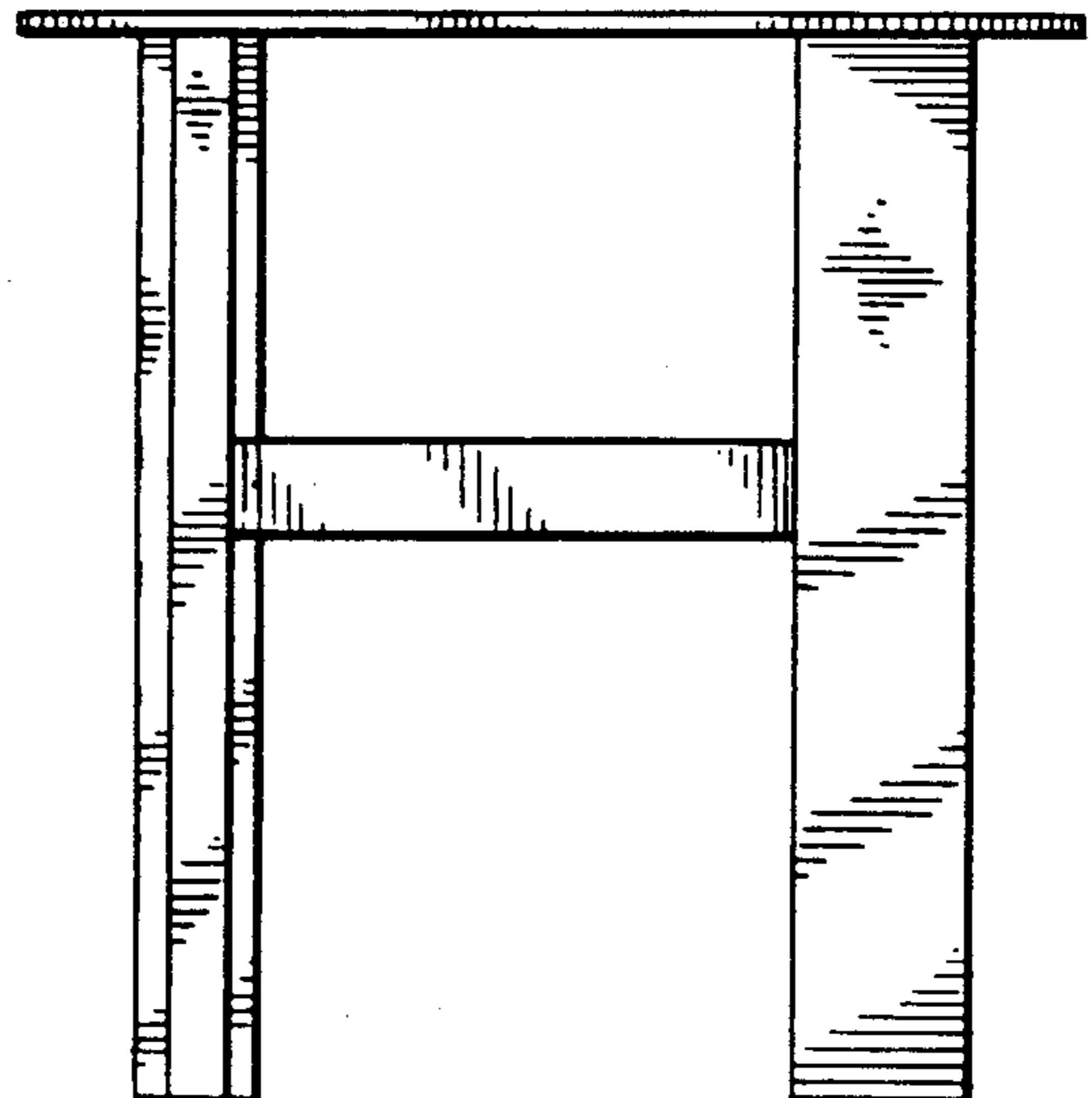


FIG. 4

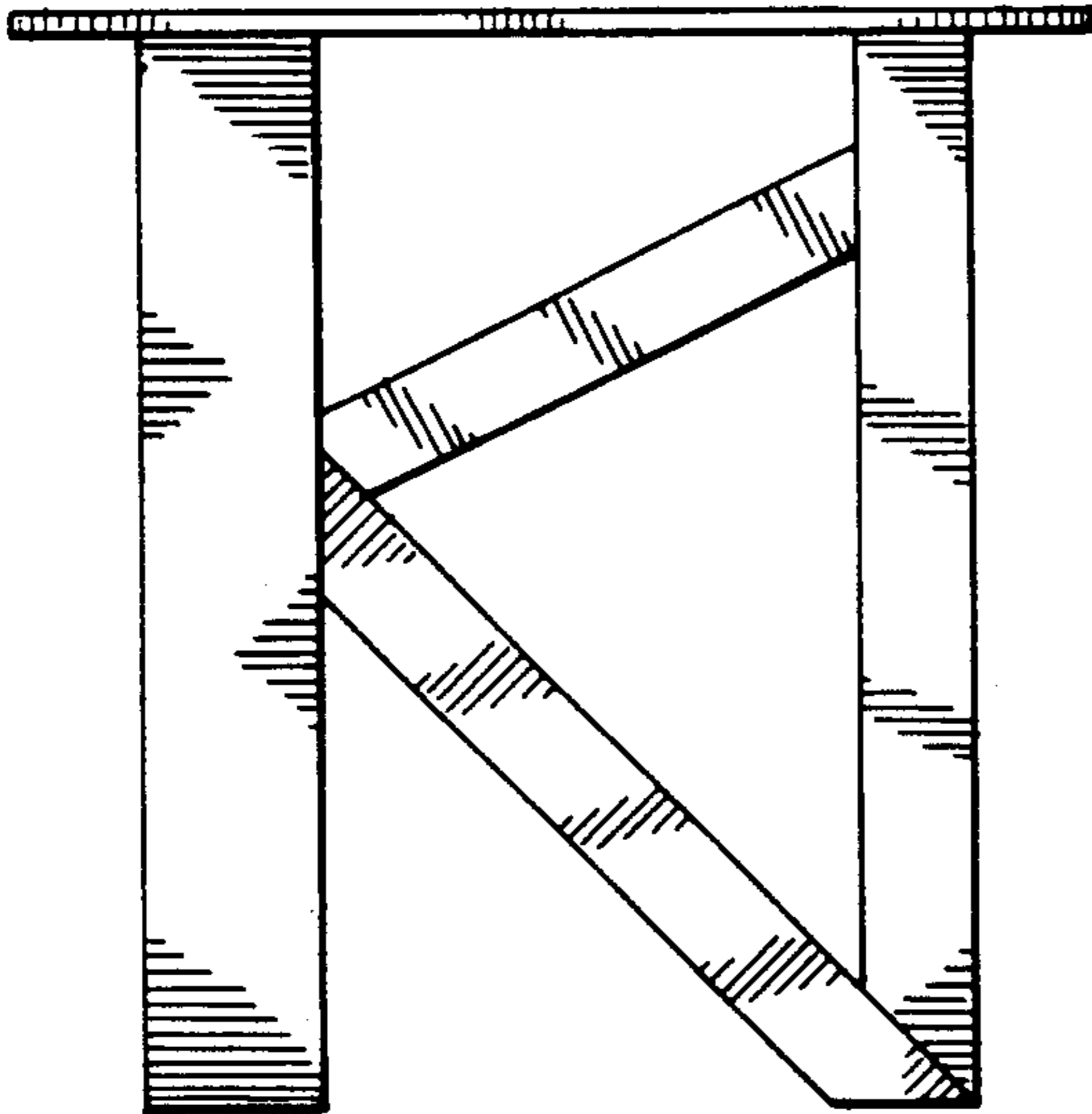


FIG. 5

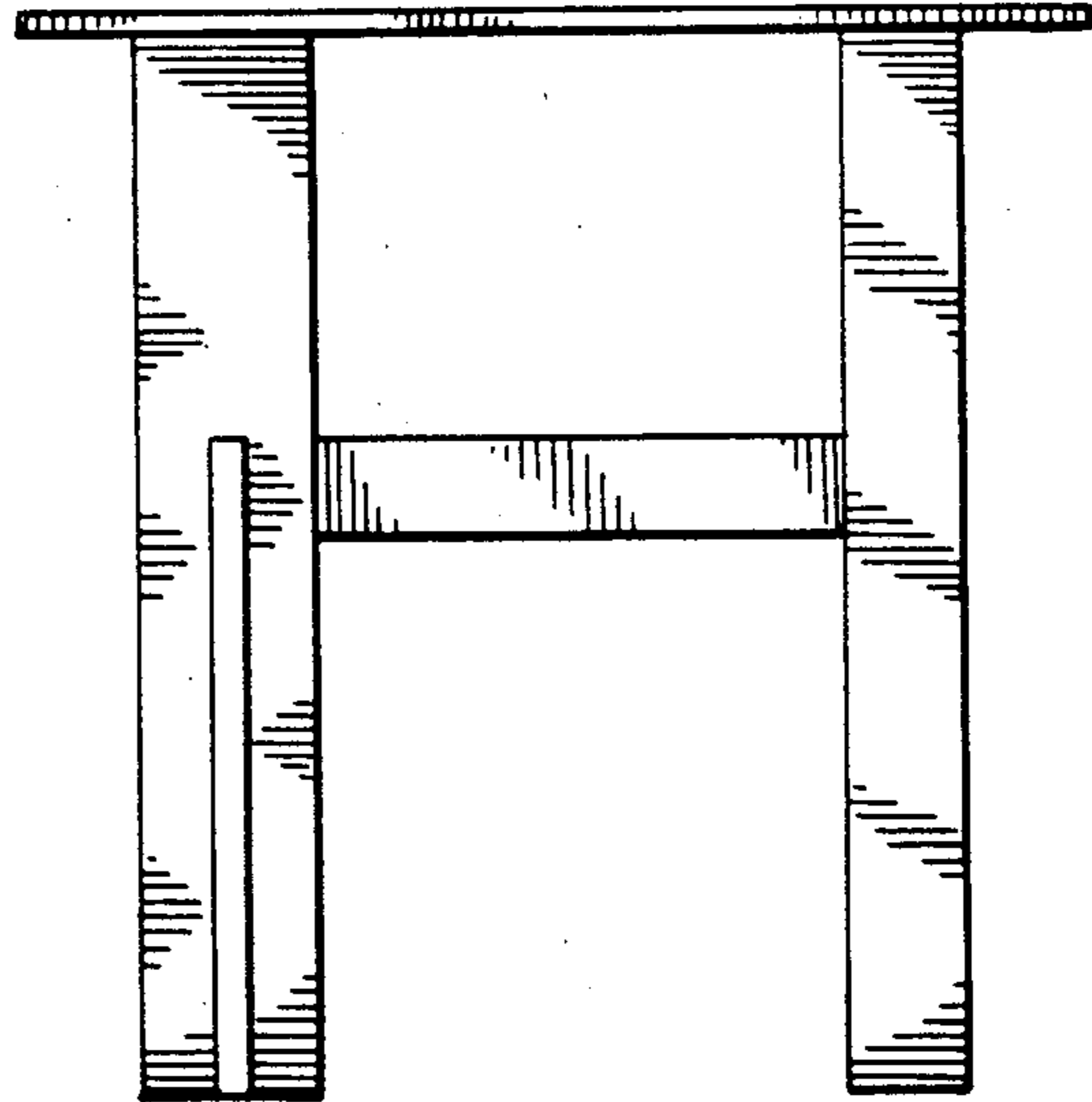


FIG. 6

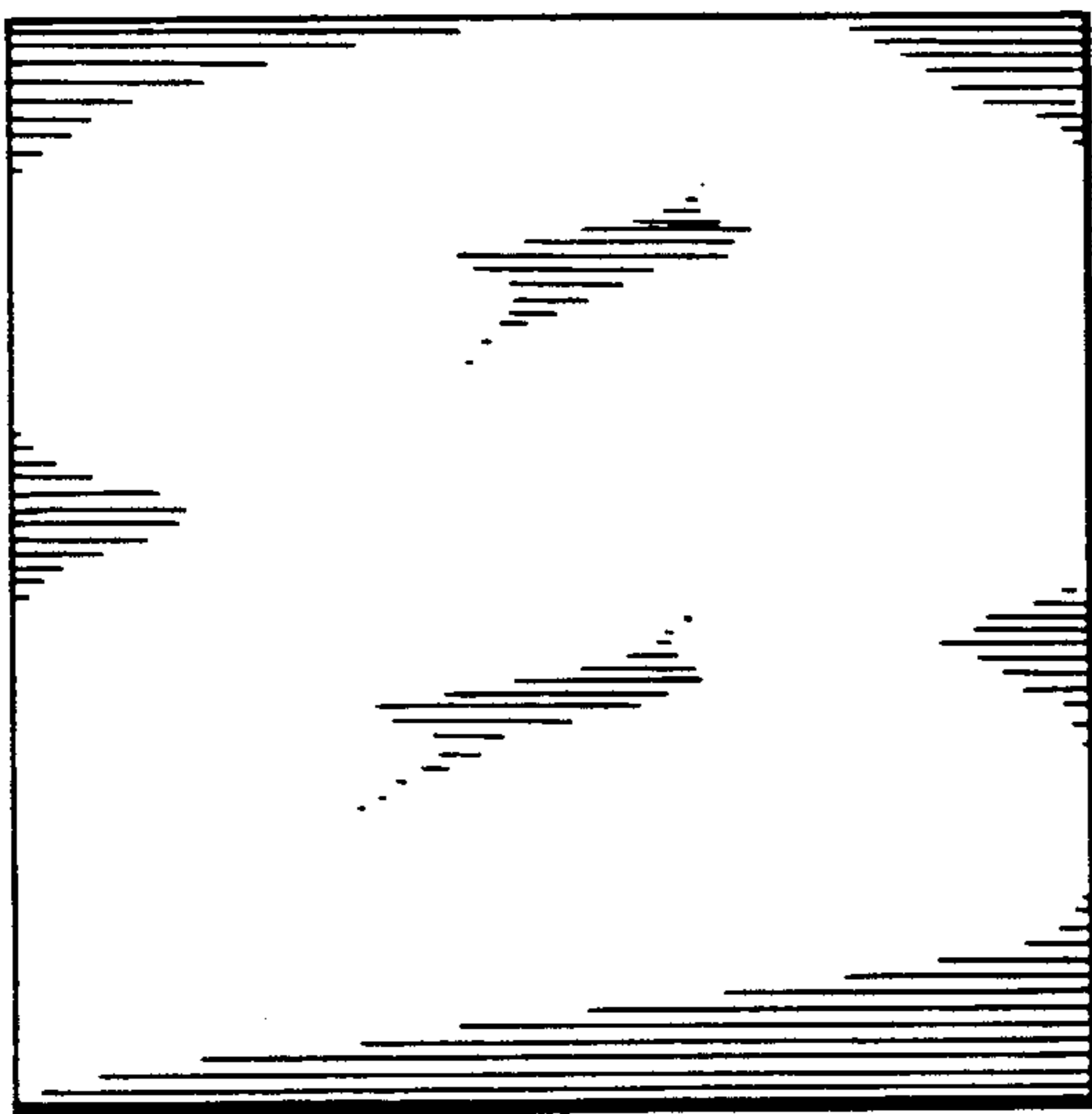


FIG. 7

