

United States Patent [19]
Grant

[11] **Patent Number:** **Des. 314,283**
[45] **Date of Patent:** **** Feb. 5, 1991**

[54] **ADJUSTABLE PICTURE FRAME**
[76] **Inventor:** **Jonathan J. Grant, 11 Merriam St., Walla Walla, Wash. 99362**
[**] **Term:** **14 Years**
[21] **Appl. No.:** **240,043**
[22] **Filed:** **Sep. 2, 1988**
[52] **U.S. Cl. D6/310**
[58] **Field of Search D6/300-314;**
40/152, 152.1, 155, 156

3,545,115 12/1970 Nichols 40/152.1

Primary Examiner—Bernard Ansher
Assistant Examiner—Terry A. Pfeffer
Attorney, Agent, or Firm—Jerry T. Kearns

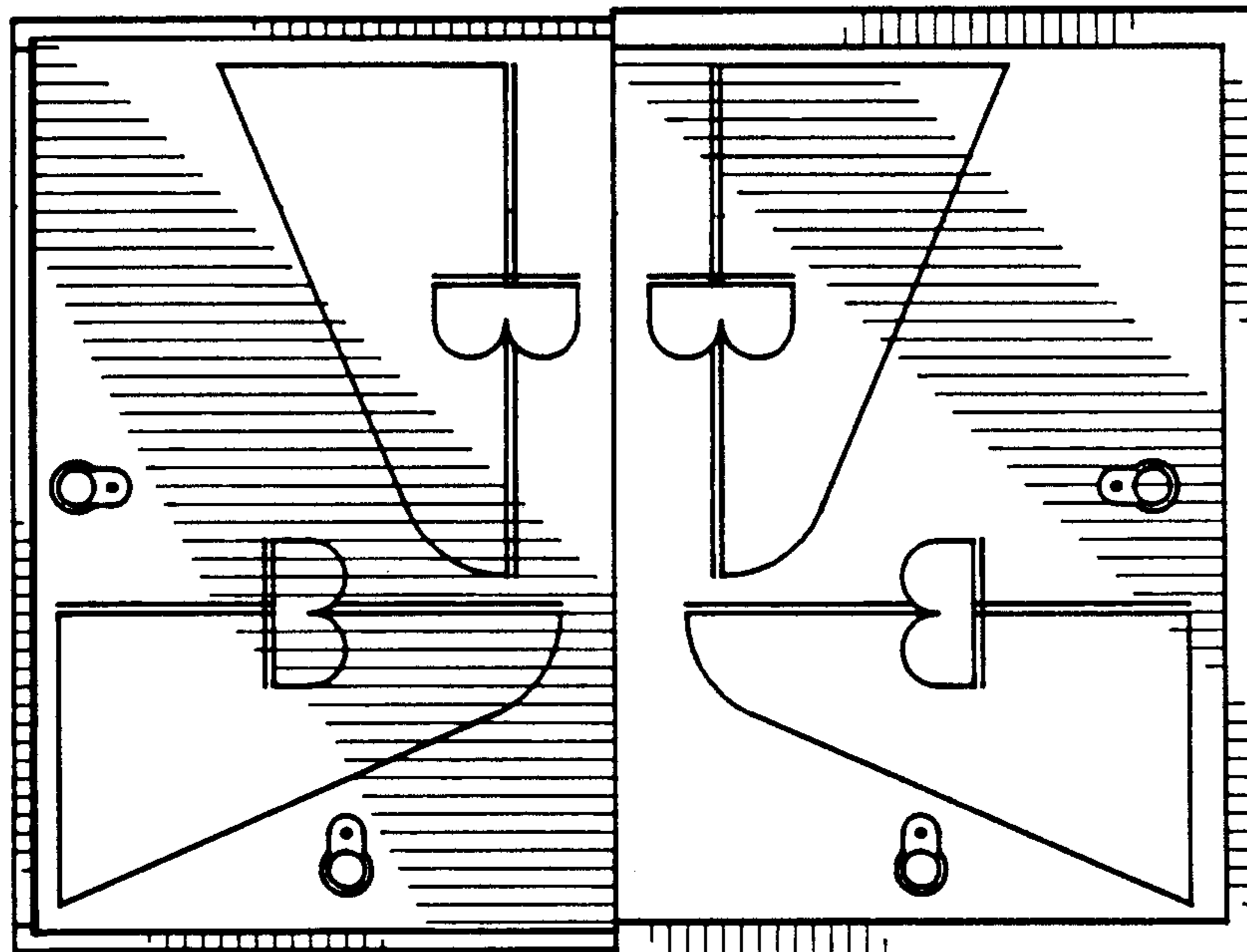
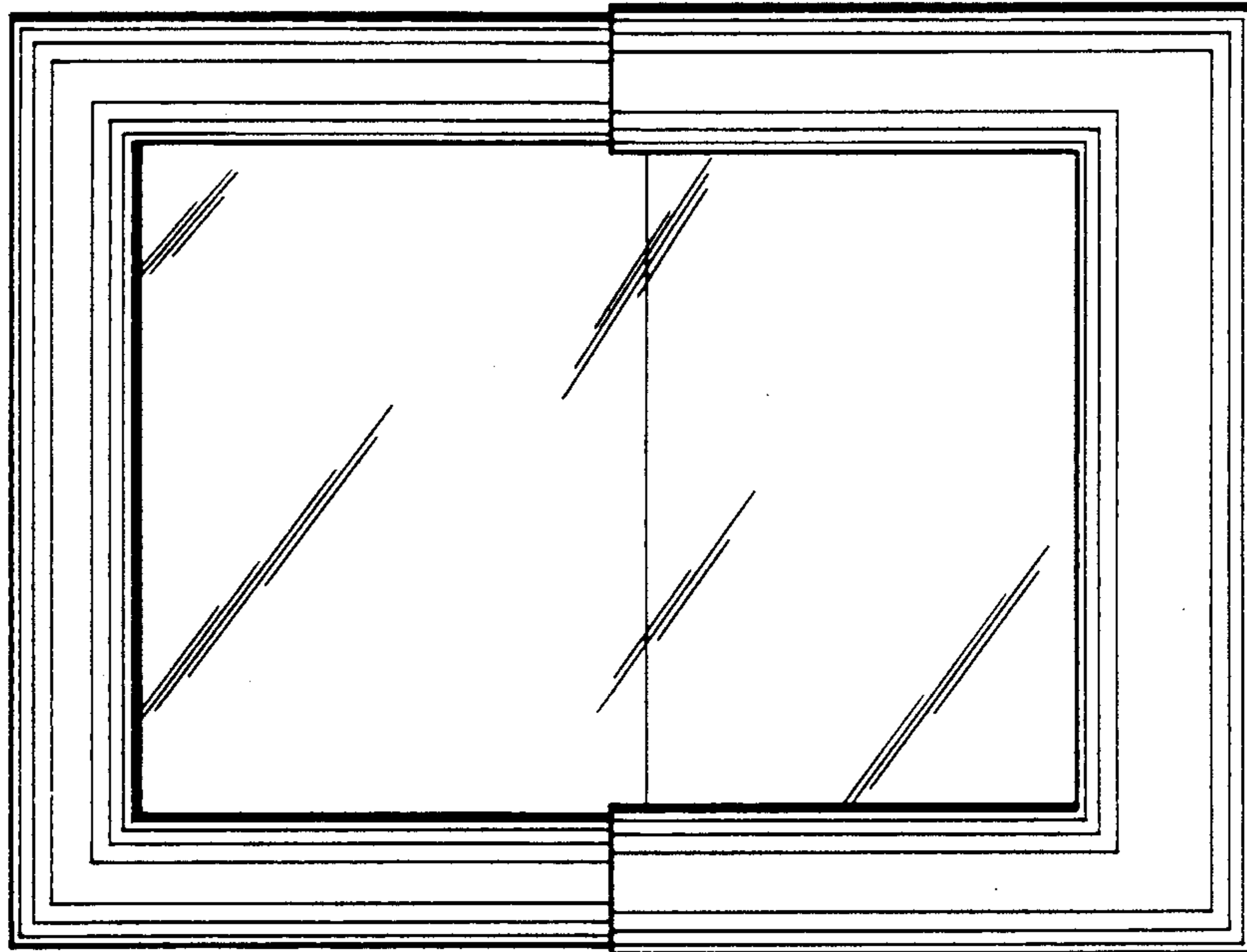
[57] **CLAIM**

The ornamental design for an adjustable picture tube frame, as shown and described.

DESCRIPTION

FIG. 1 is a front elevational view of an adjustable picture frame showing my new design; FIG. 2 is a rear elevational view thereof; FIG. 3 is a left side elevational view thereof; FIG. 4 is a right side elevational view thereof; FIG. 5 is a top plan view thereof; and, FIG. 6 is a bottom plan view thereof.

[56] **References Cited**
U.S. PATENT DOCUMENTS
579,243 3/1897 Schulze 40/156 X
723,497 3/1903 Strauss 40/155
1,091,623 3/1914 Bland 40/155



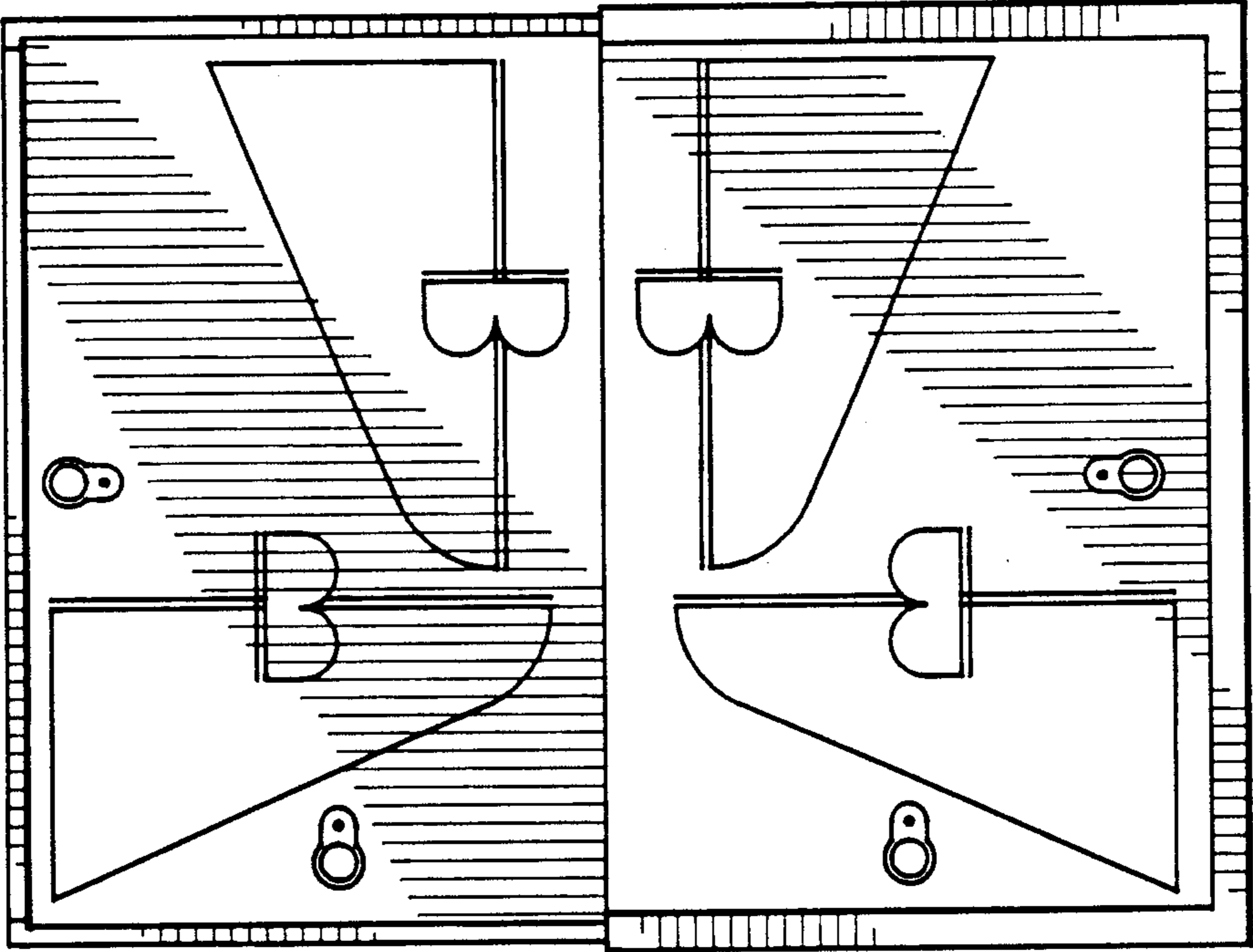


Fig. 2

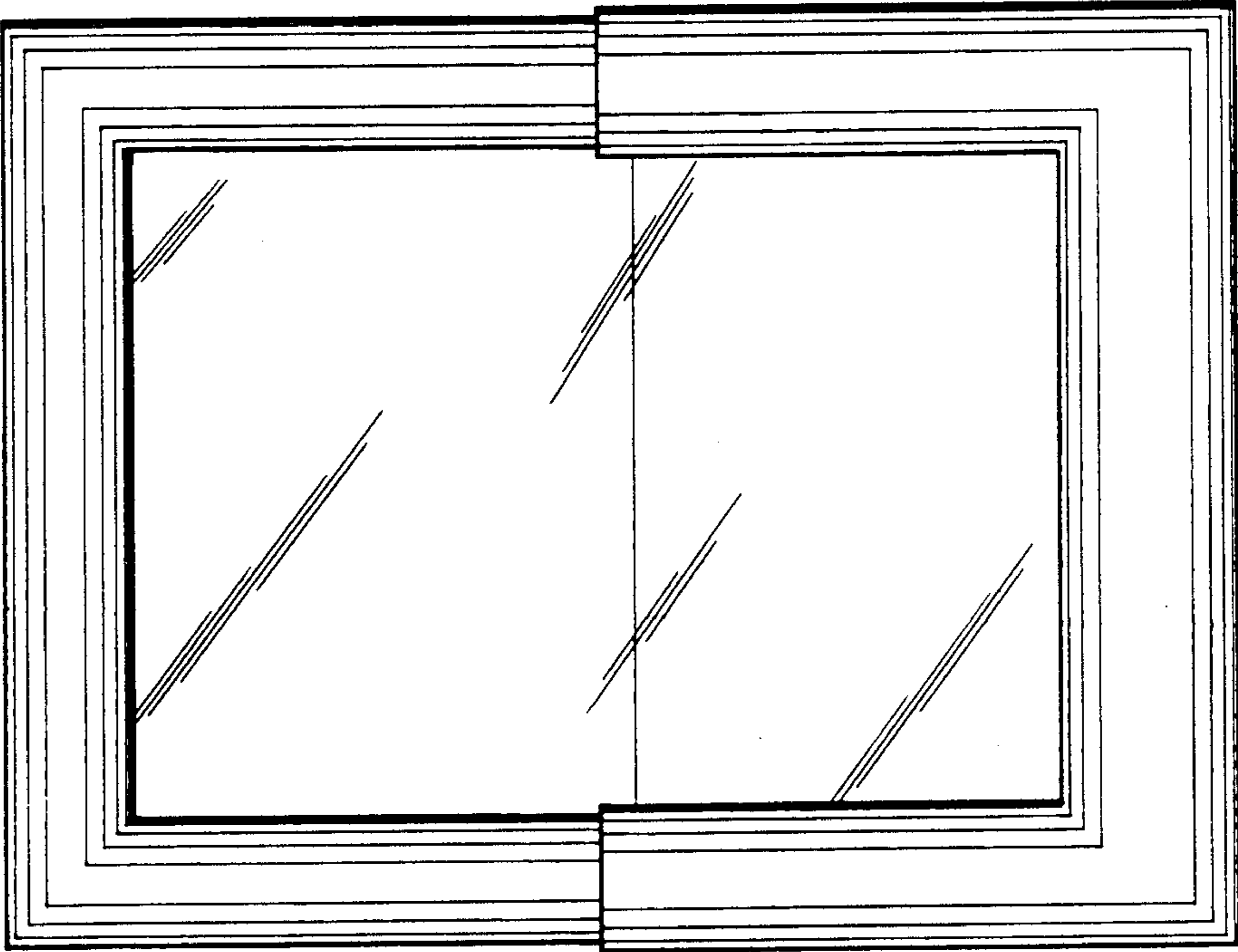


Fig. 1

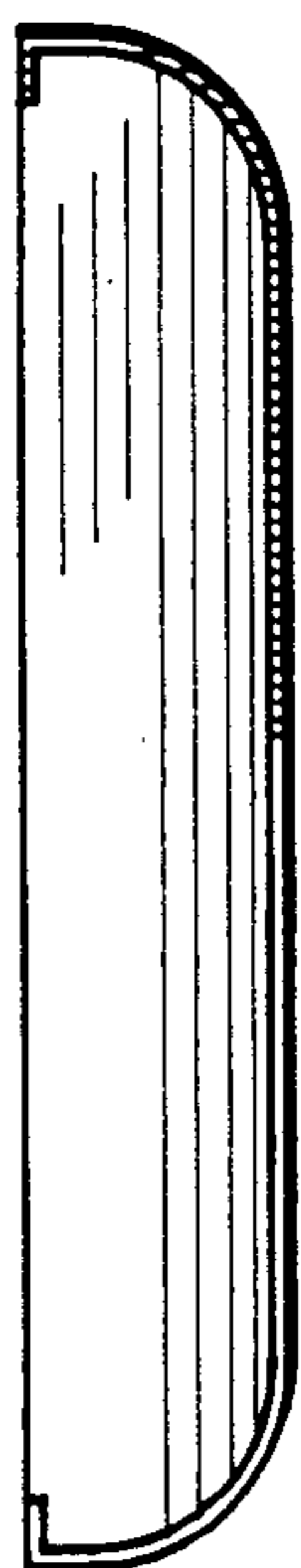


Fig. 5

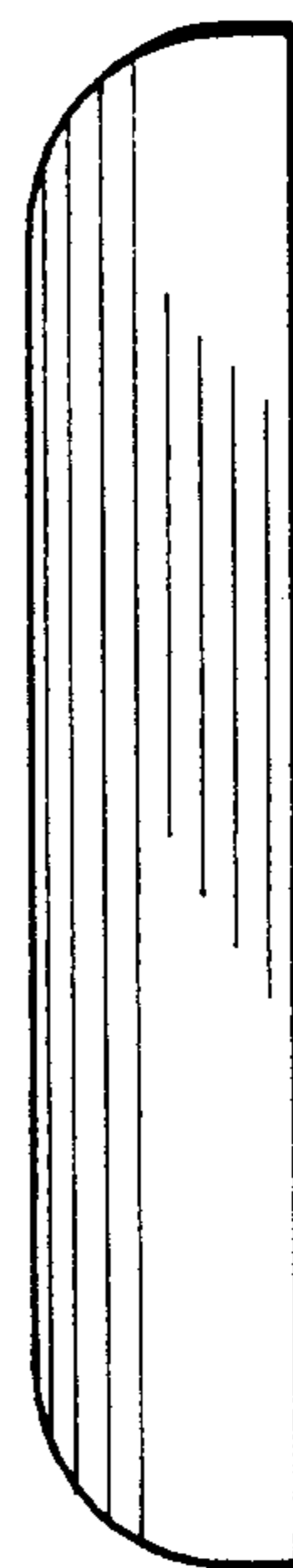


Fig. 6

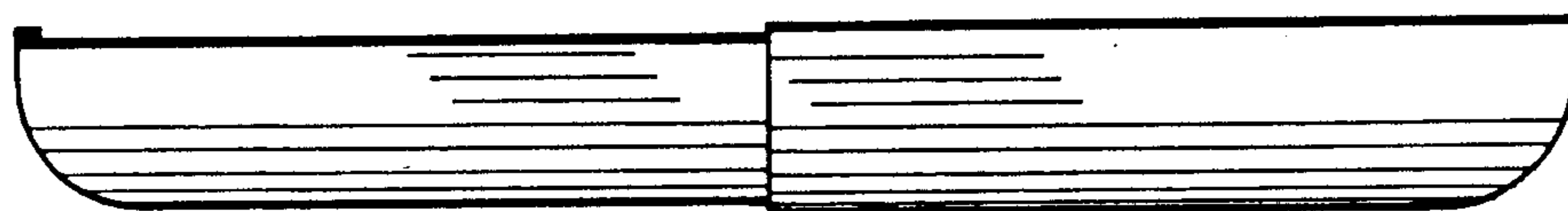


Fig. 3

Fig. 4

