

[54] COMBINED PAINT ROLLER AND APPLICATOR UNIT

3,085,270 4/1963 Vosbikian et al. 15/230,11 X
4,667,363 5/1987 Calvert 15/248 A

[76] Inventor: Ricardo Garcia, 240 NW. 49th Ave., #2, Miami, Fla. 33126

Primary Examiner—Wallace R. Burke
Assistant Examiner—Lavone D. Tabor
Attorney, Agent, or Firm—Malloy & Malloy

[**] Term: 14 Years

[57] CLAIM

[21] Appl. No.: 230,377

The ornamental design for a combined paint roller and applicator unit, as shown and described.

[22] Filed: Aug. 10, 1988

[52] U.S. Cl. D4/122

[58] Field of Search D4/114-116,
D4/122; 15/24, 230.11, 248 A; 401/15, 21-22,
218-220, 268, 270, 277, 282, 286, 289

DESCRIPTION

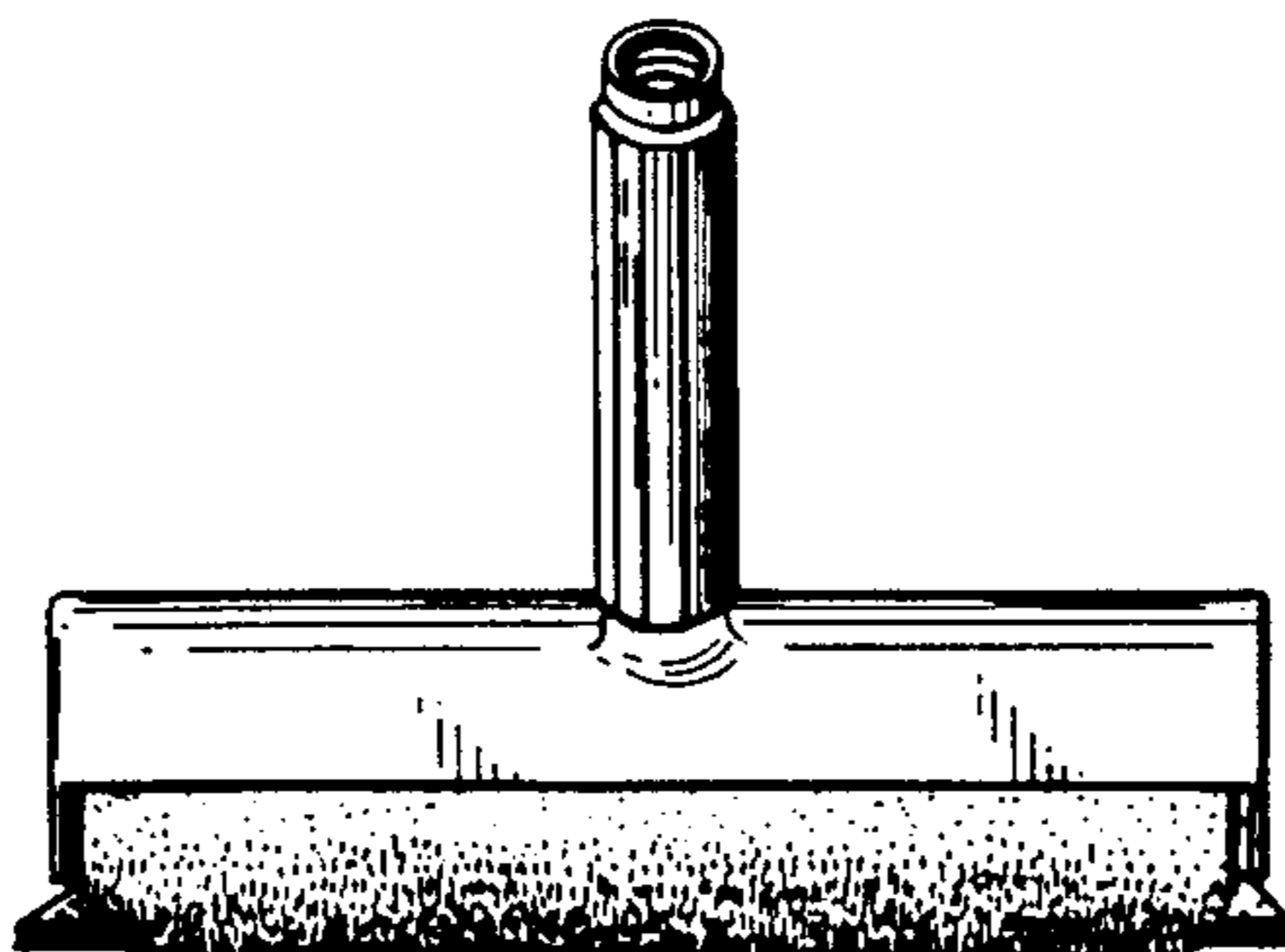
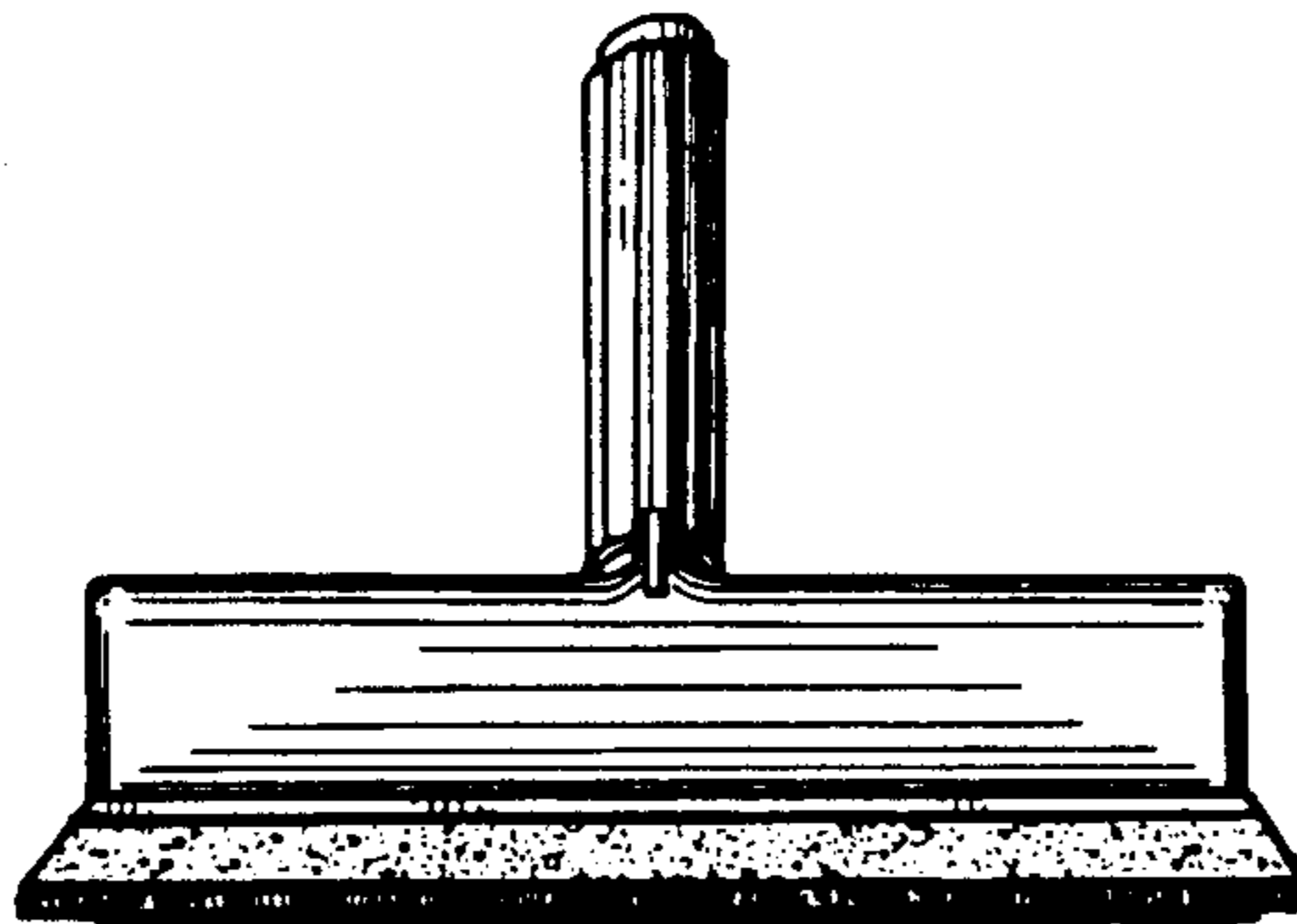
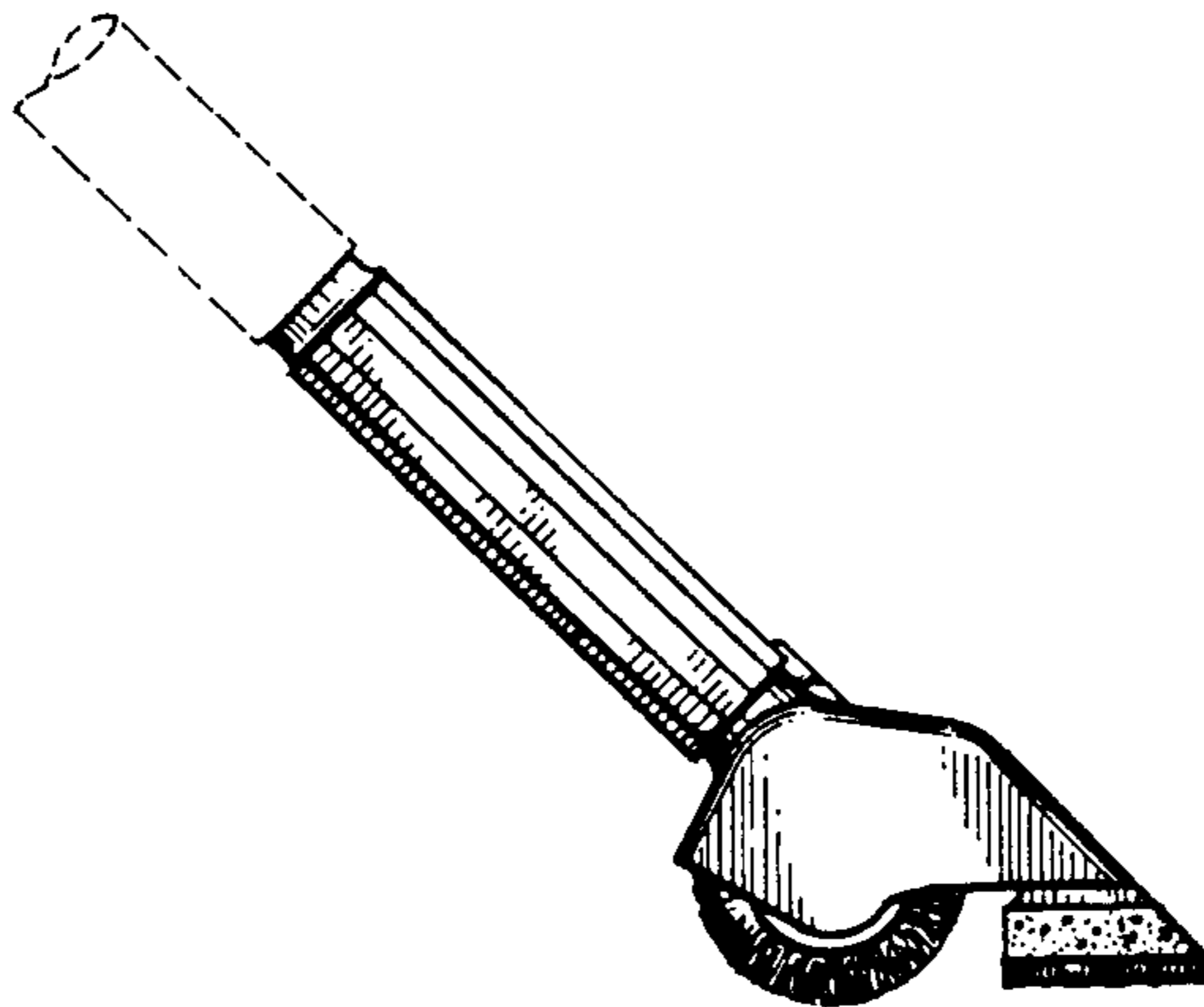
[56] References Cited

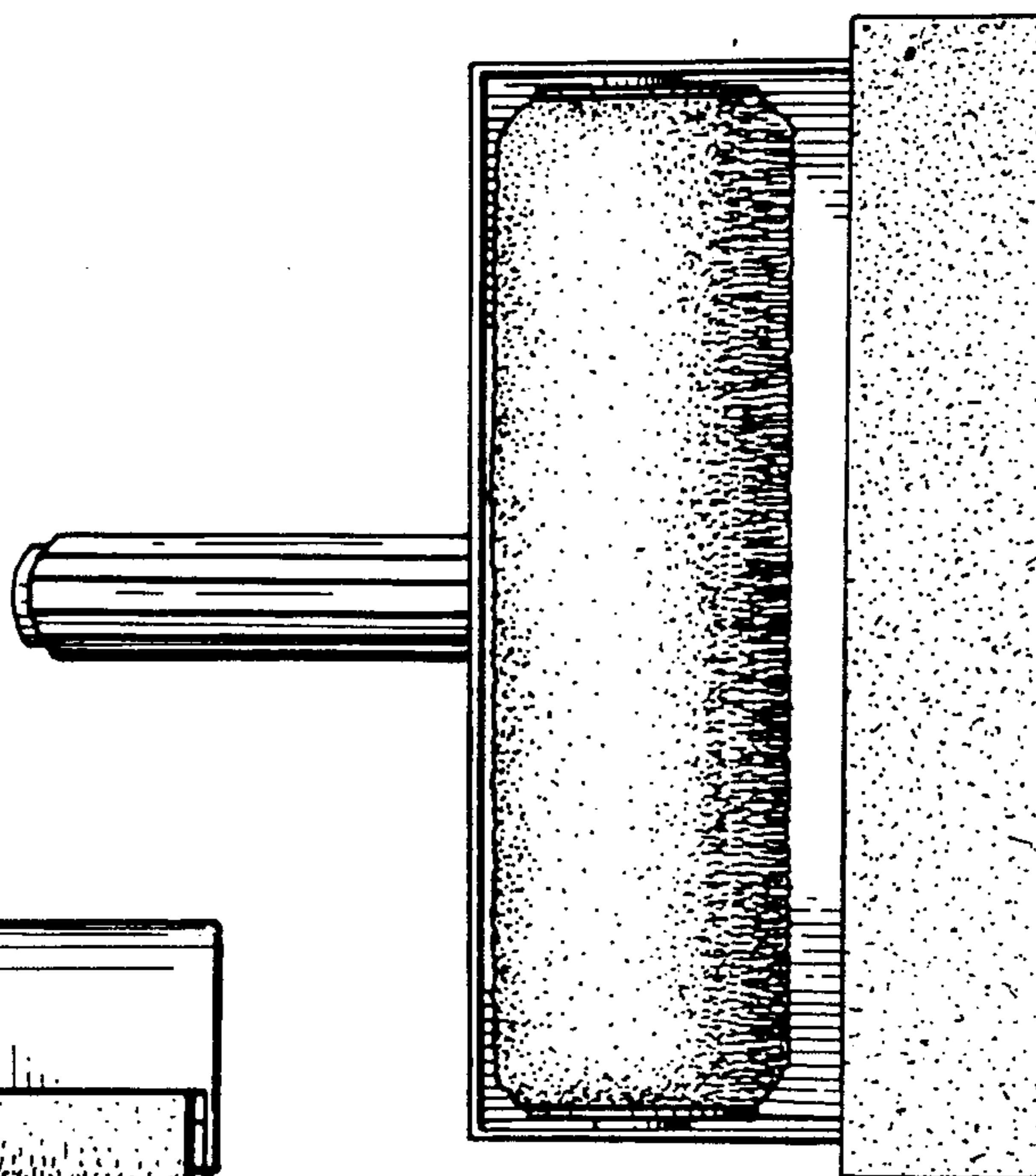
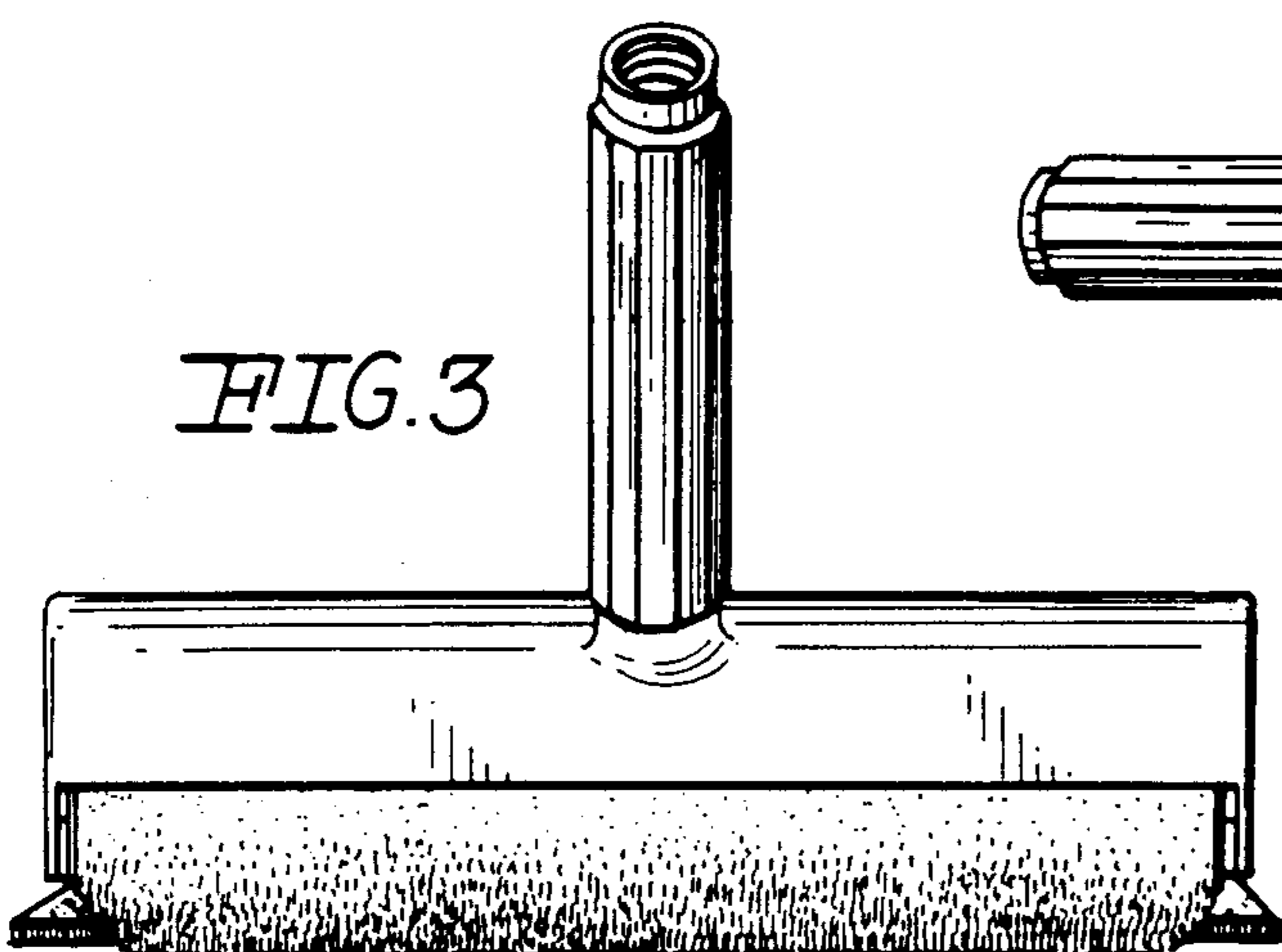
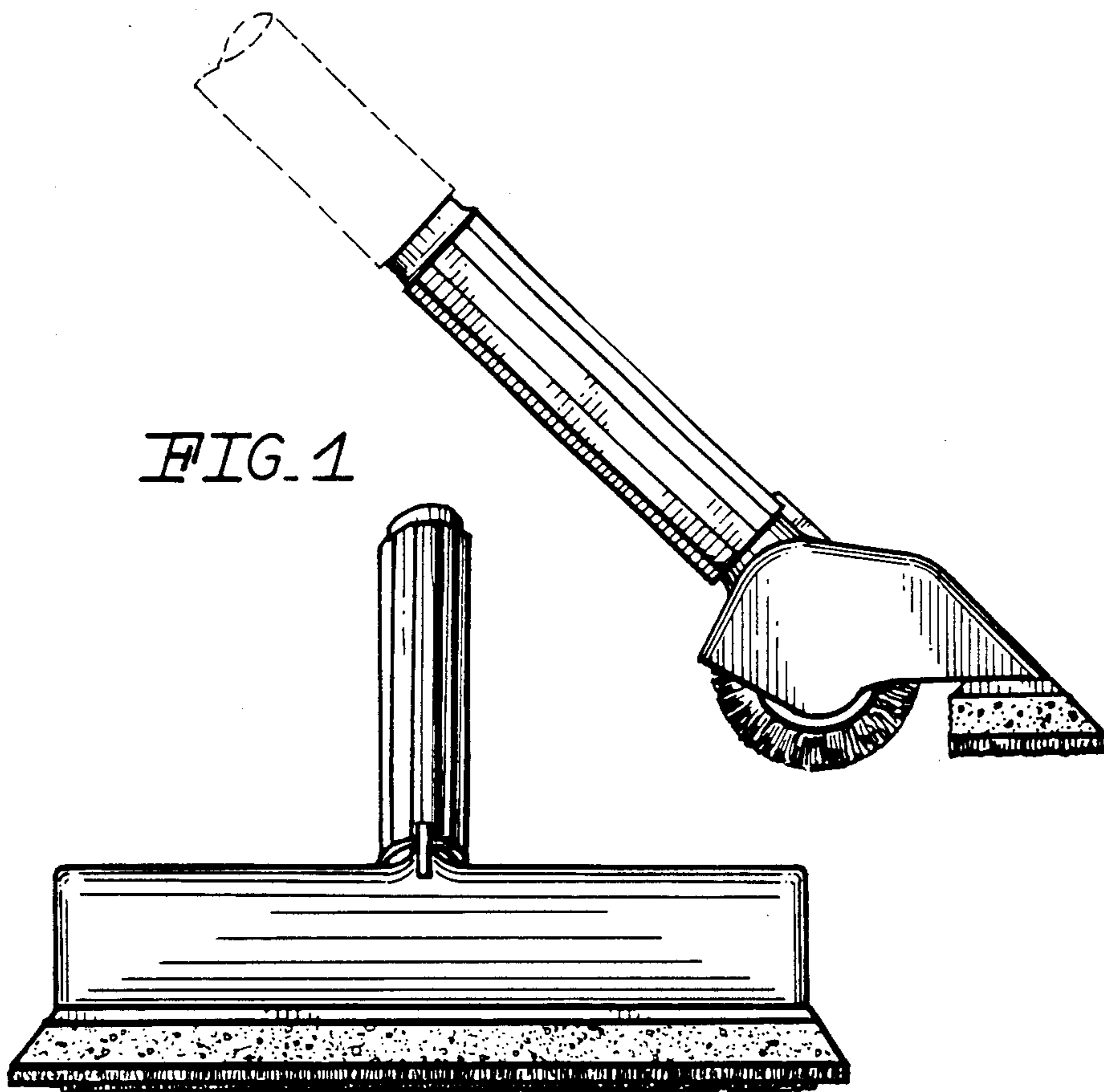
U.S. PATENT DOCUMENTS

- D. 235,278 6/1975 Janssen D4/122
- D. 248,416 7/1978 Lupkes D4/116
- D. 280,784 10/1985 DeVreeze et al. D4/122
- 1,827,003 10/1931 Gailhofer 401/21

FIG. 1 is a side elevational view of a combined paint roller and applicator unit showing my new design, the opposite side being a mirror image thereof; FIG. 2 is a front elevational view thereof; FIG. 3 is a rear elevational view thereof; FIG. 4 is a bottom plan view thereof; and FIG. 5 is a top plan view thereof.

The broken lines shown in FIG. 1 are for illustrative purposes only and form no part of the claimed design.





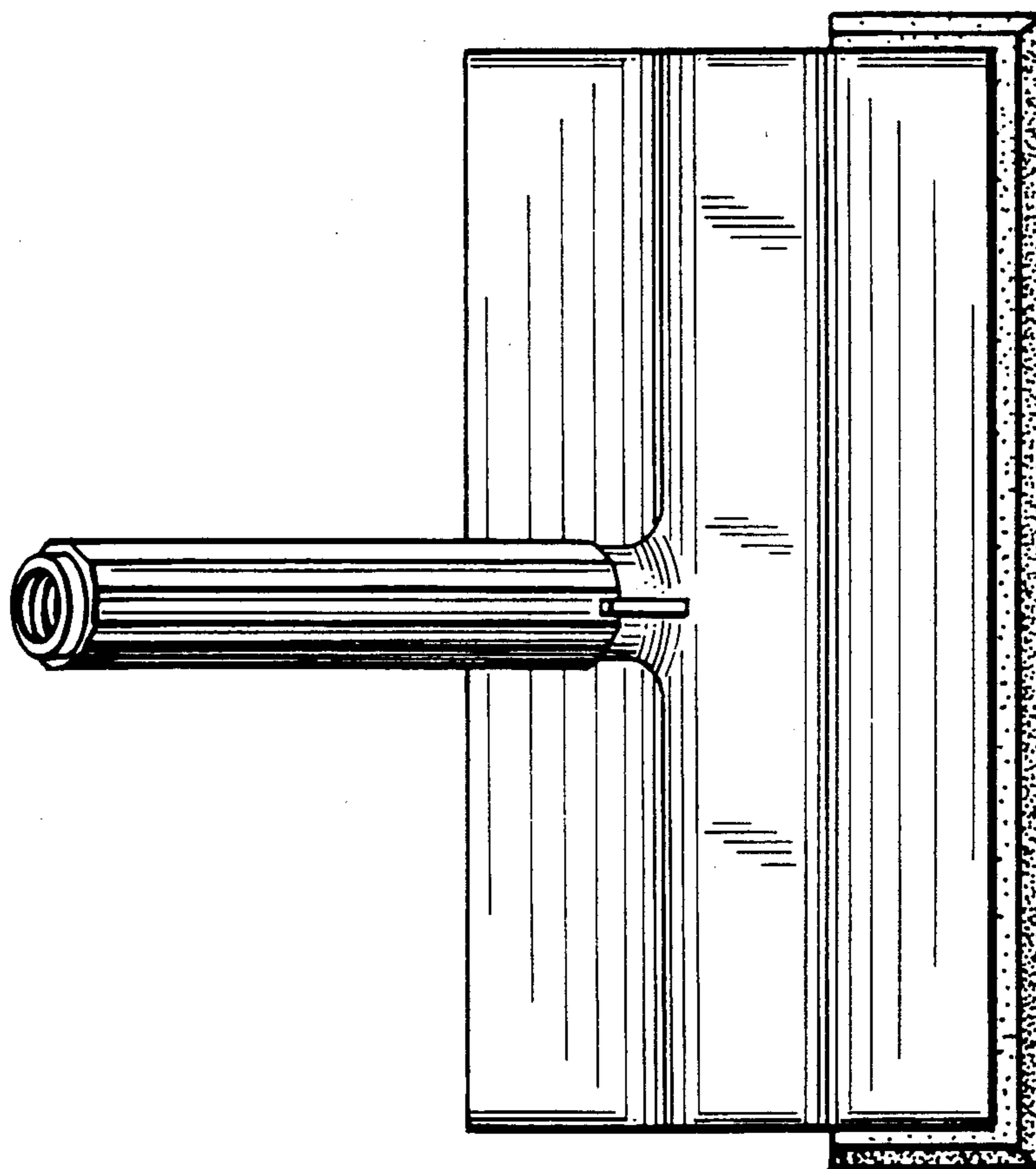


FIG. 5