

- [54] TRAY FOR CARRYING TOOLS
- [75] Inventor: Eric Hotchkiss, Wooster, Ohio
- [73] Assignee: Rubbermaid Incorporated, Wooster, Ohio
- [**] Term: 14 Years
- [21] Appl. No.: 297,267
- [22] Filed: Jan. 13, 1989
- [52] U.S. Cl. D3/30.1; D32/53; D34/40
- [58] Field of Search D3/74, 73, 30.1; D34/40; 206/372, 373, 562, 563, 564; 170/117, 111; D32/53

Road, Box 5050, Statesville, NC 28677, publication date 1985.
 P. 11, Sentry Pack, Safety Scope Inc., P.O. Box 2390, Waterbury, CT 06722, publication date unknown.
 Sell sheet, Contico Manufacturing Company, a Division of Contico International Inc., street address unknown, St. Louis, MO 63132, publication date unknown.
 P. 8, Akro Mills, 880 West Waterloo Road, Akron, OH 44309, publication date Mar. 1, 1986.
 Catalog page, Ingrid, Suite 200, 1419 Lake Cook Road, Deerfield, IL 60615, publication date unknown.

Primary Examiner—Louis S. Zarfes
 Assistant Examiner—M. N. Pandozo
 Attorney, Agent, or Firm—Richard B. O’Planick

- [56] **References Cited**
- U.S. PATENT DOCUMENTS**
- D. 198,236 5/1964 Schaefer D3/73
- D. 264,514 5/1982 Kordan D3/74 X
- D. 265,711 8/1982 Dunden D34/40 X
- D. 265,768 8/1982 Howley D34/40
- D. 275,918 10/1984 Taylor D34/40 X
- D. 367,967 5/1990 Lanus D34/40
- 2,715,458 8/1955 Polglase D3/74
- 3,618,749 11/1971 Vaccaro 206/372 X
- 3,628,843 12/1971 Wynne et al. 206/373 X
- 4,714,158 9/1986 Oltman et al. 190/117 X

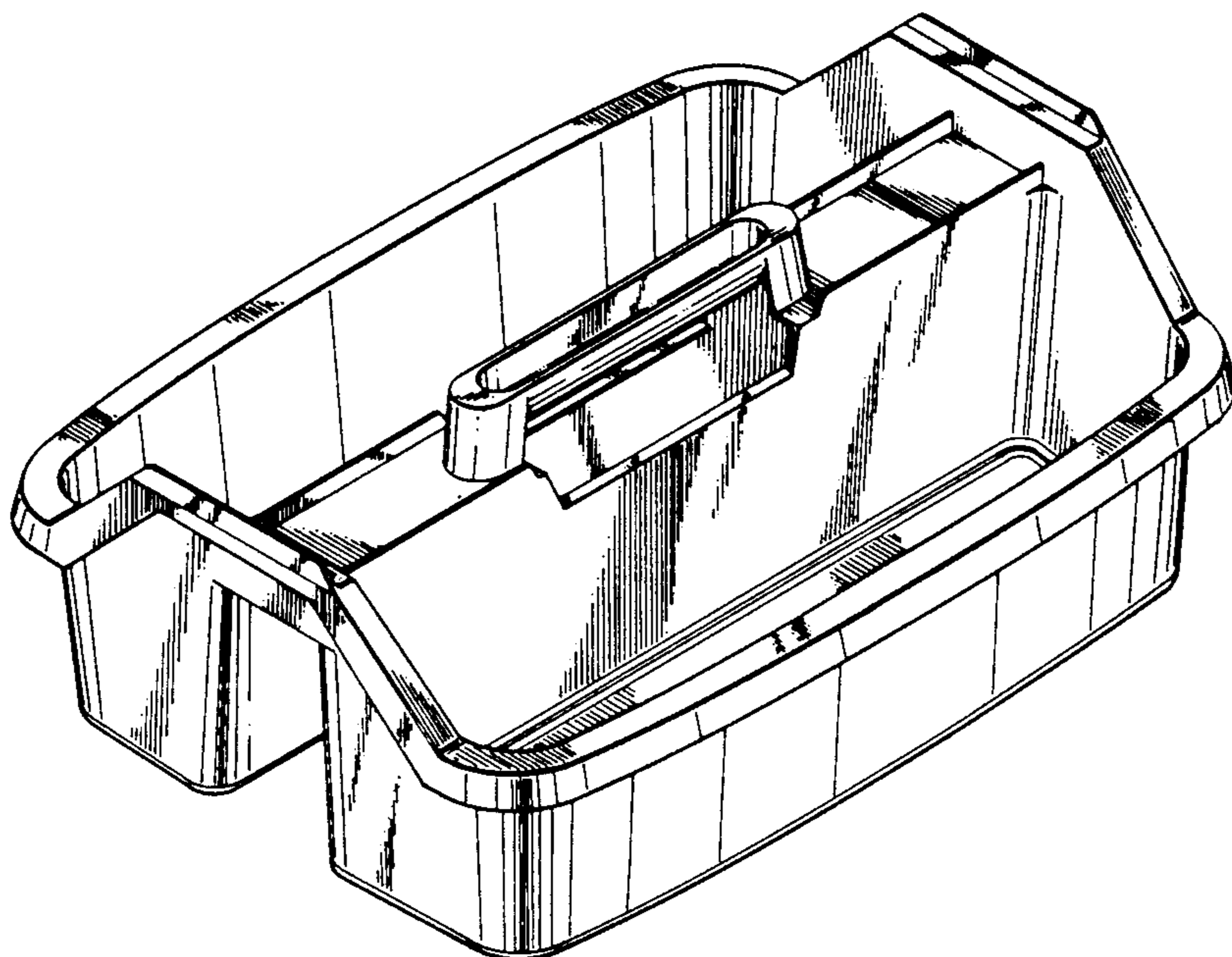
- FOREIGN PATENT DOCUMENTS**
- 3702061 8/1987 Fed. Rep. of Germany 206/372

- OTHER PUBLICATIONS**
- P. 14, Rubbermaid Specialty Products Inc., Taylorsville

[57] **CLAIM**
 The ornamental design for a tray for carrying tools, as shown and described.

DESCRIPTION

FIG. 1 is a front perspective view of a tray for carrying tools showing my new design;
 FIG. 2 is a top plan view thereof; the opposite side being a mirror image.
 FIG. 3 is a bottom plan view thereof.
 FIG. 4 is a front elevational view thereof; the opposite side being a mirror image.
 FIG. 5 is a side elevational view thereof; the opposite side being a mirror image.
 FIG. 6 is a transverse sectional view of the tray for carrying tools taken along line 6—6 of FIG. 2.
 FIG. 7 is a longitudinal sectional view of the tray for carrying tools taken along line 7—7 of FIG. 3.



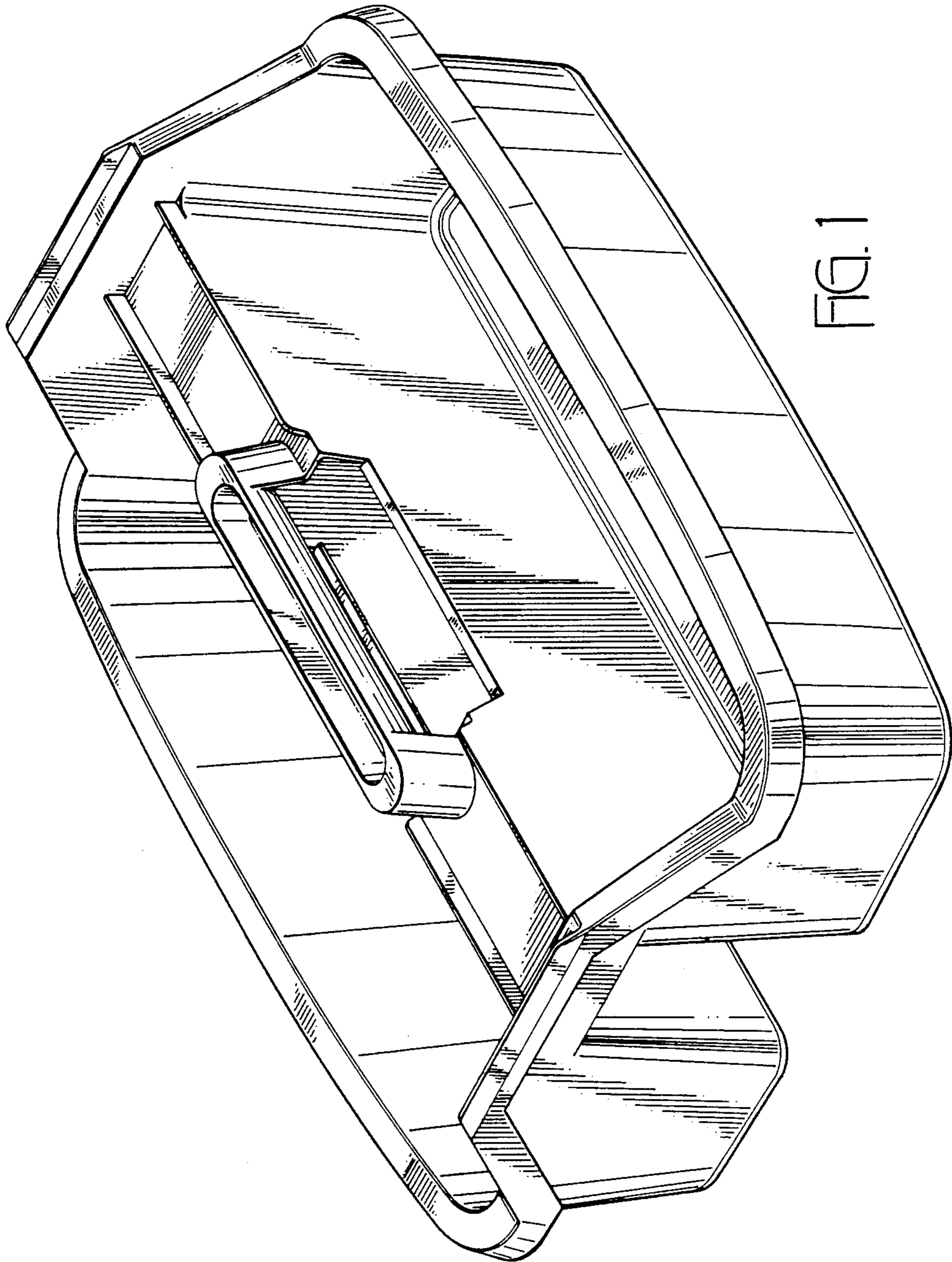


FIG. 1

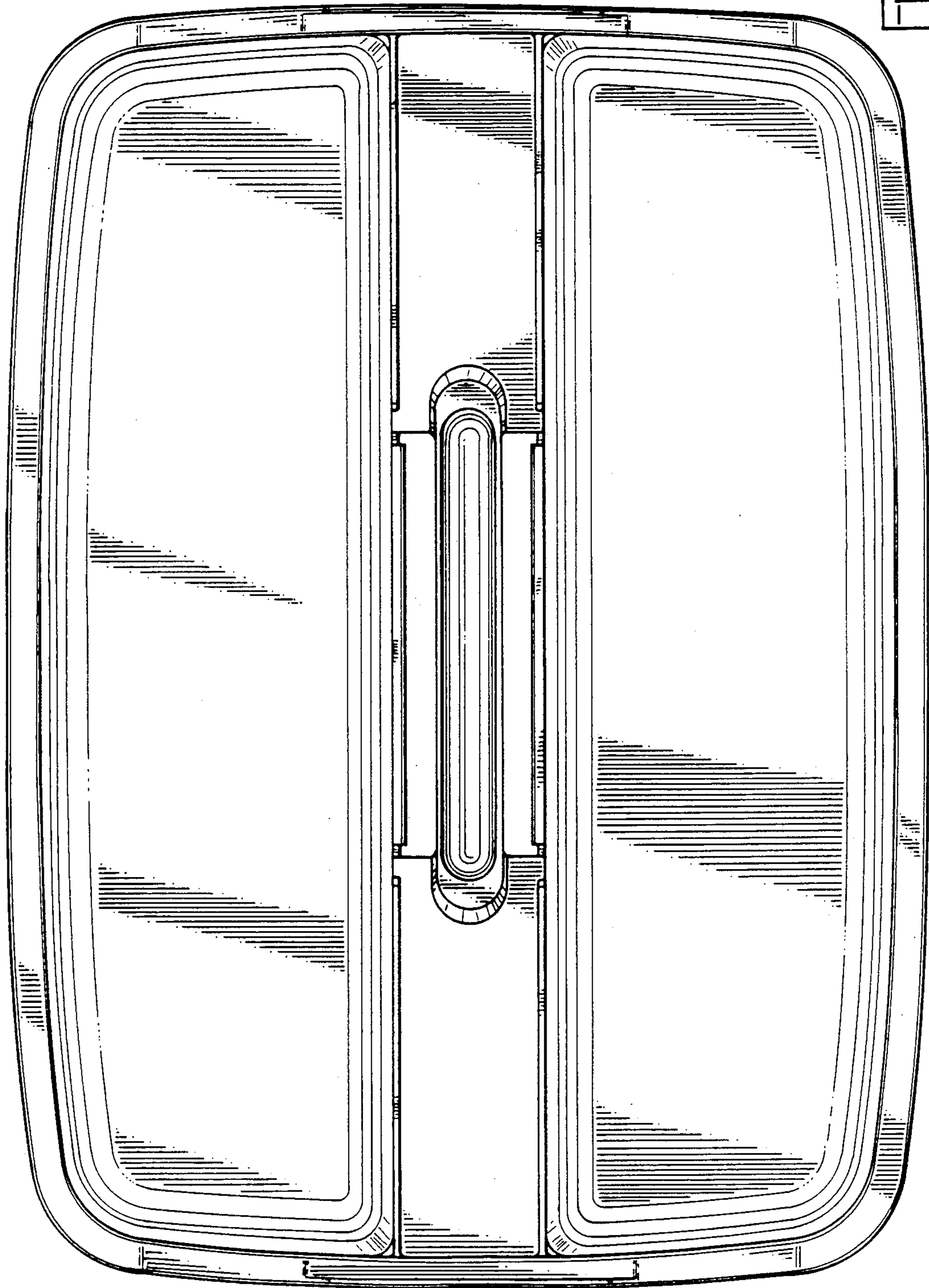


FIG. 2

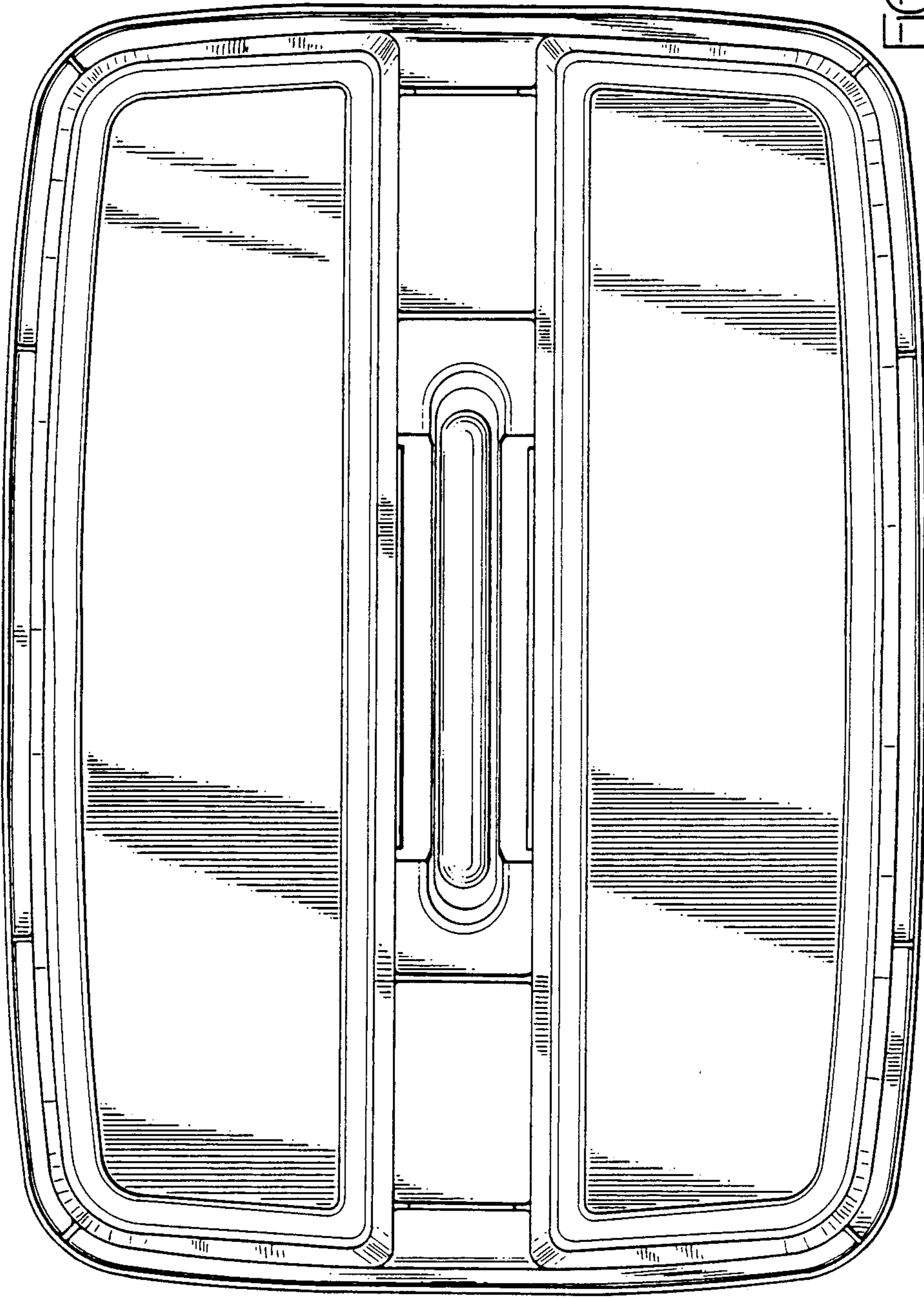


FIG. 3

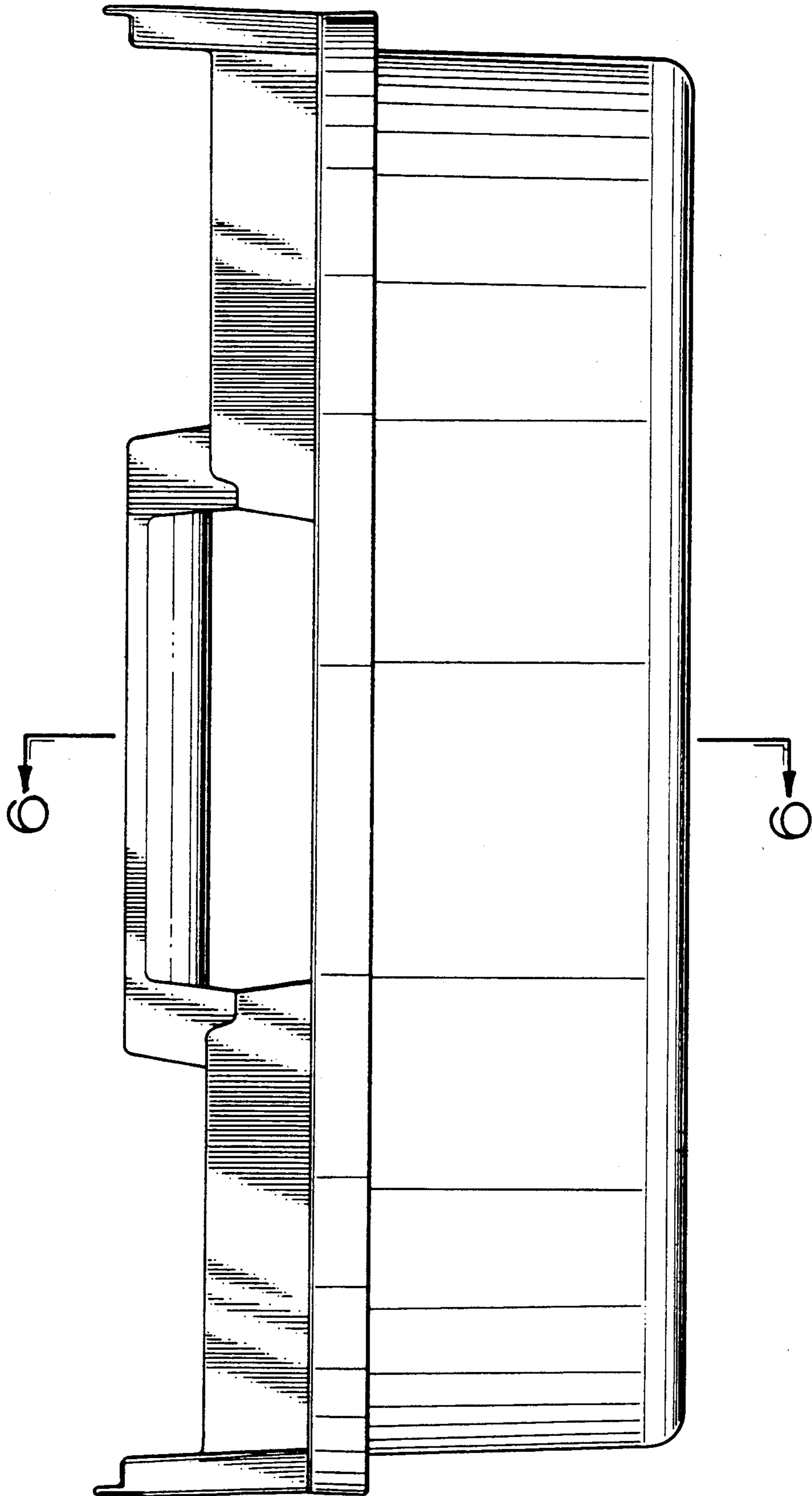


FIG. 4

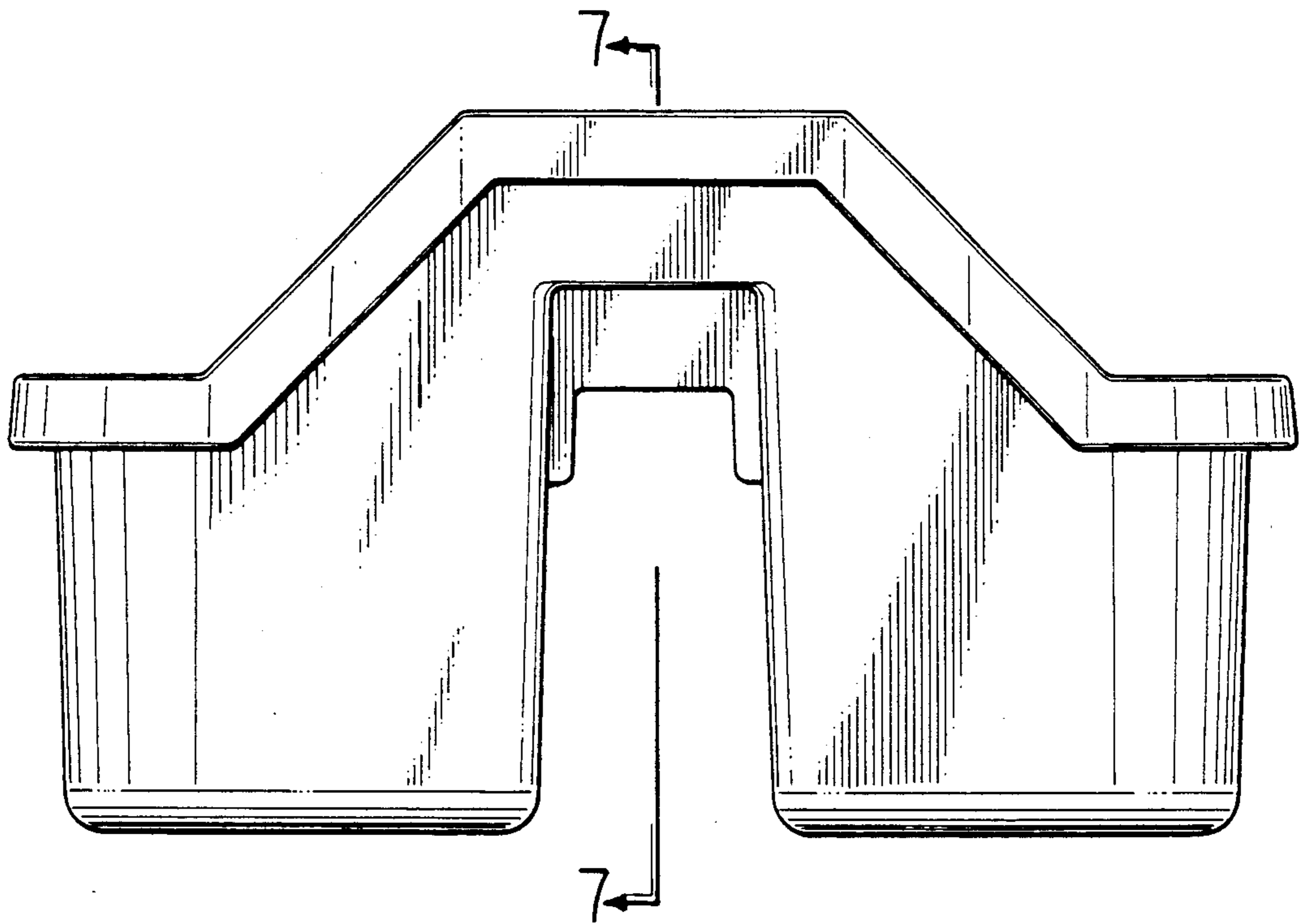


FIG. 5

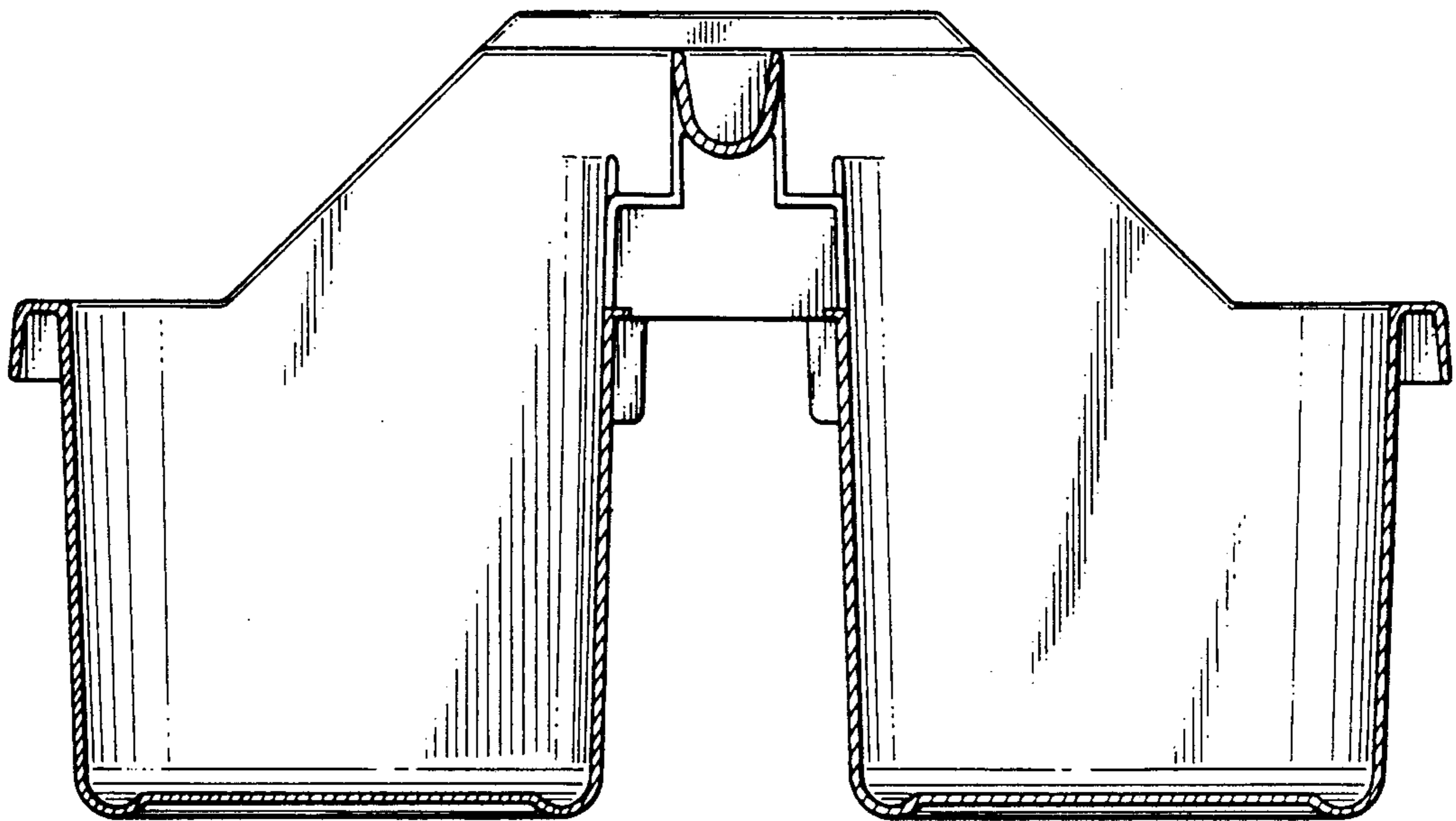


FIG. 6

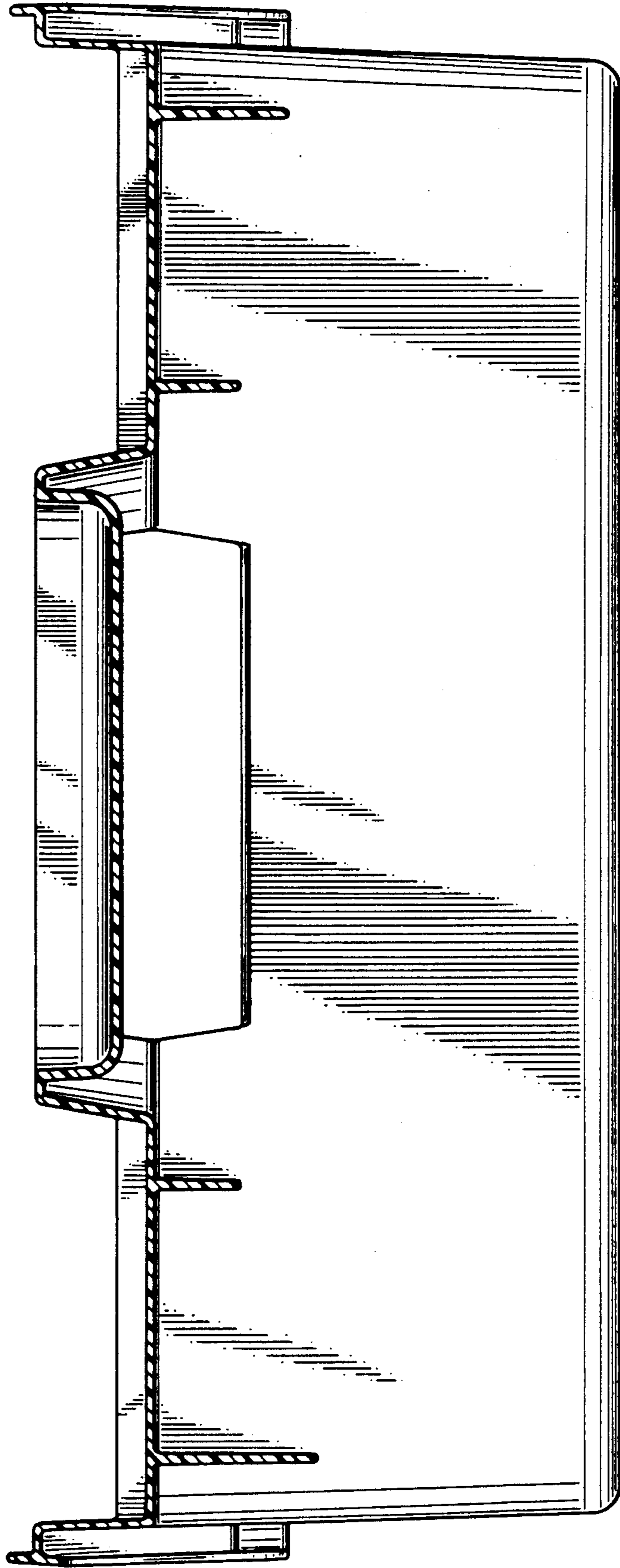


FIG. 7