

United States Patent [19]

Nordstrom

[11] Patent Number: **Des. 314,276**

[45] Date of Patent: **** Feb. 5, 1991**

[54] LUGGAGE CASE

[75] Inventor: **Mark B. Nordstrom**, Evergreen, Colo.

[73] Assignee: **Samsonite Corporation**, Denver, Colo.

[**] Term: **14 Years**

[21] Appl. No.: **165,671**

[22] Filed: **Mar. 4, 1988**

[52] U.S. Cl. **D3/76; D3/50**

[58] Field of Search **D3/76, 77, 71, 42, 39, D3/30.1; 206/278; 150/100, 107, 110, 112, 114, 118; 190/100, 109, 111, 115, 119**

[56] **References Cited**

U.S. PATENT DOCUMENTS

D. 280,264 8/1985 Lipsig D3/77 X

D. 280,362 9/1985 Allen D3/71
4,301,898 11/1981 Plough et al. 190/109 X
4,773,515 9/1988 Kotkins, Jr. 190/109 X

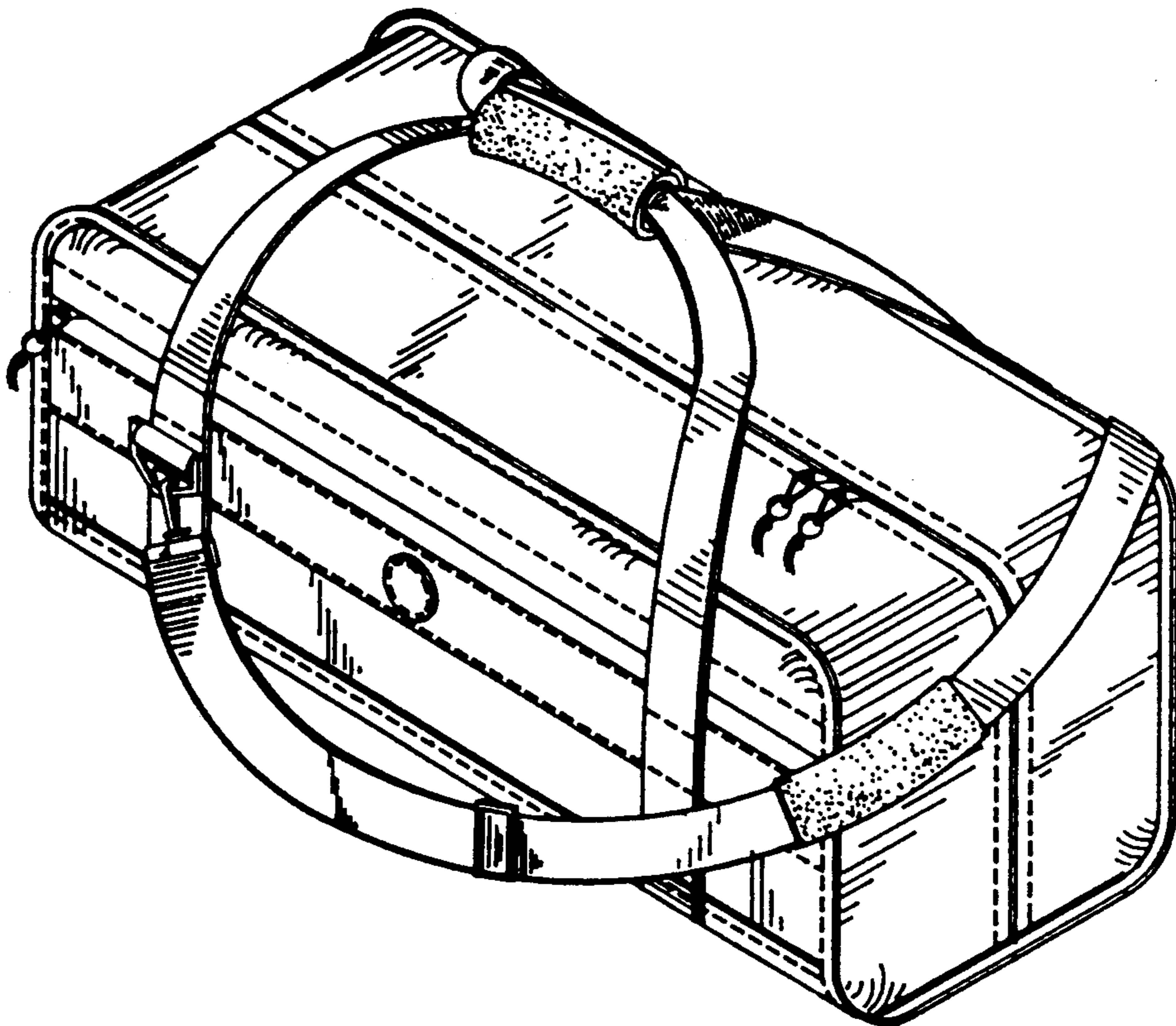
Primary Examiner—Louis S. Zarfes
Assistant Examiner—M. N. Pandozzi
Attorney, Agent, or Firm—Gregory W. O'Connor

[57] **CLAIM**

The ornamental design for a luggage case, as shown and described.

DESCRIPTION

FIG. 1 is a perspective view of a luggage case showing my new design;
FIG. 2 is a rear elevational view thereof;
FIG. 3 is a side elevational view thereof, showing the side opposite that shown in FIG. 1;
FIG. 4 is a top plan view thereof;
FIG. 5 is a bottom plan view thereof;



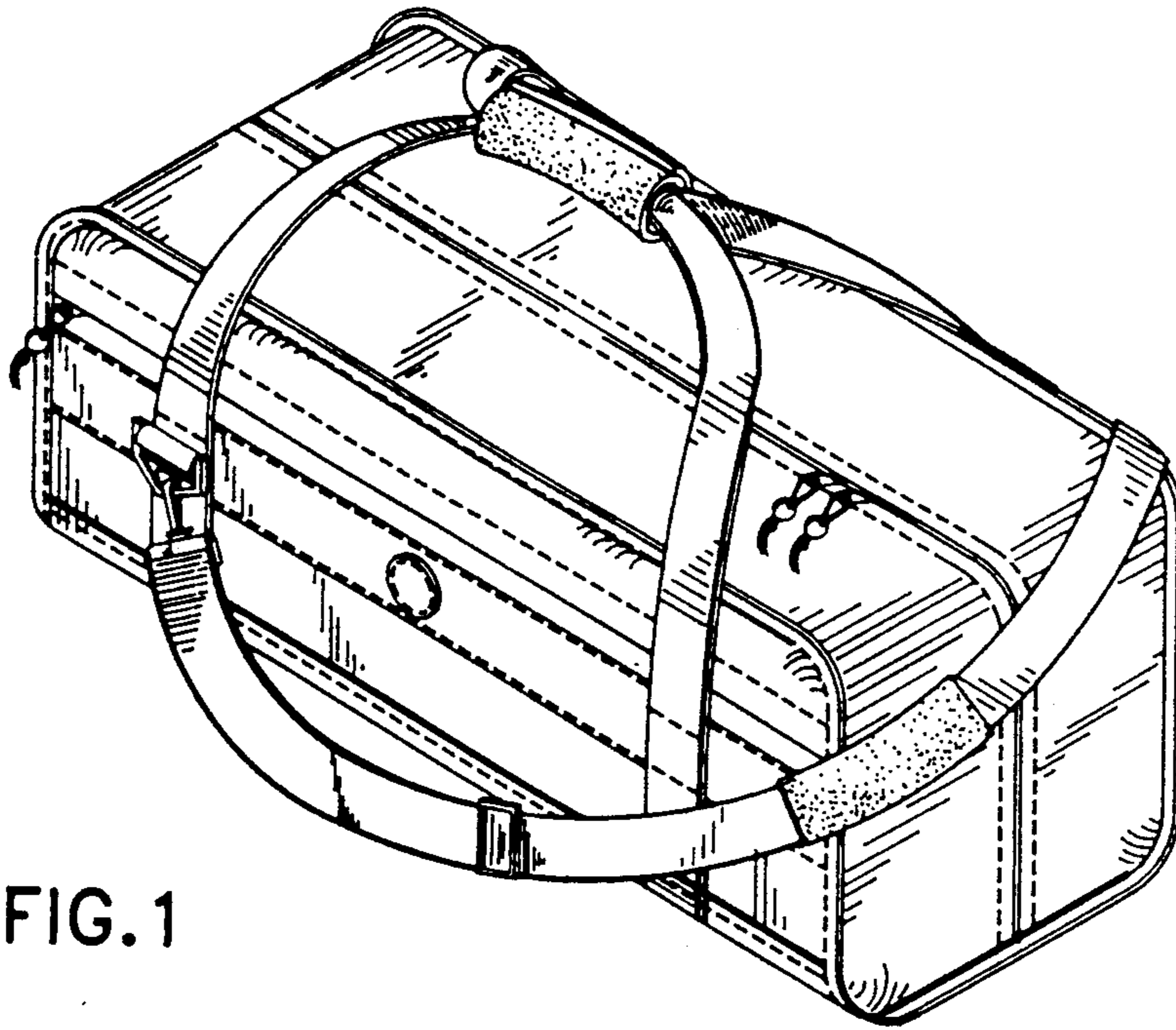


FIG. 1

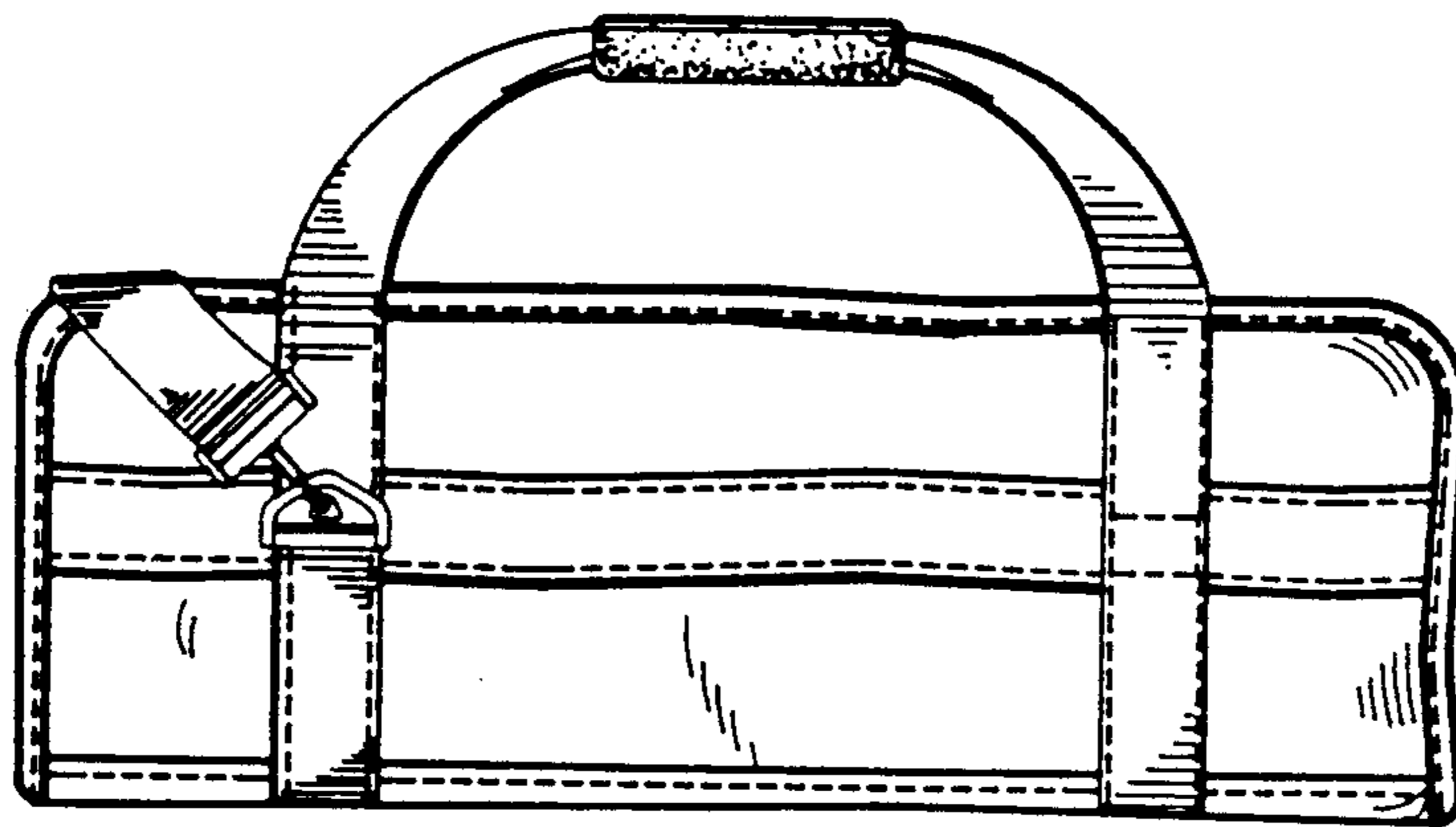


FIG. 2

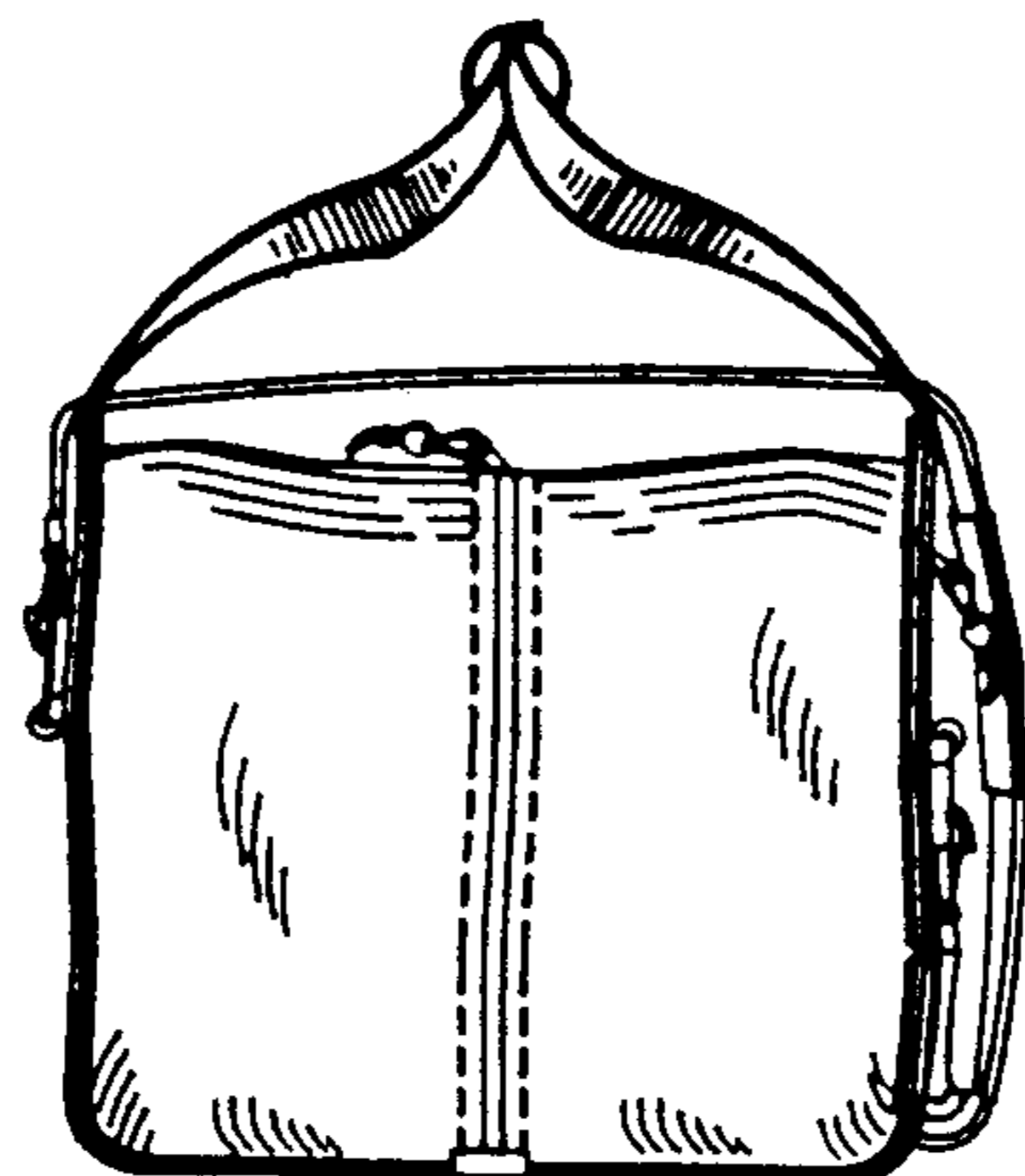


FIG. 3

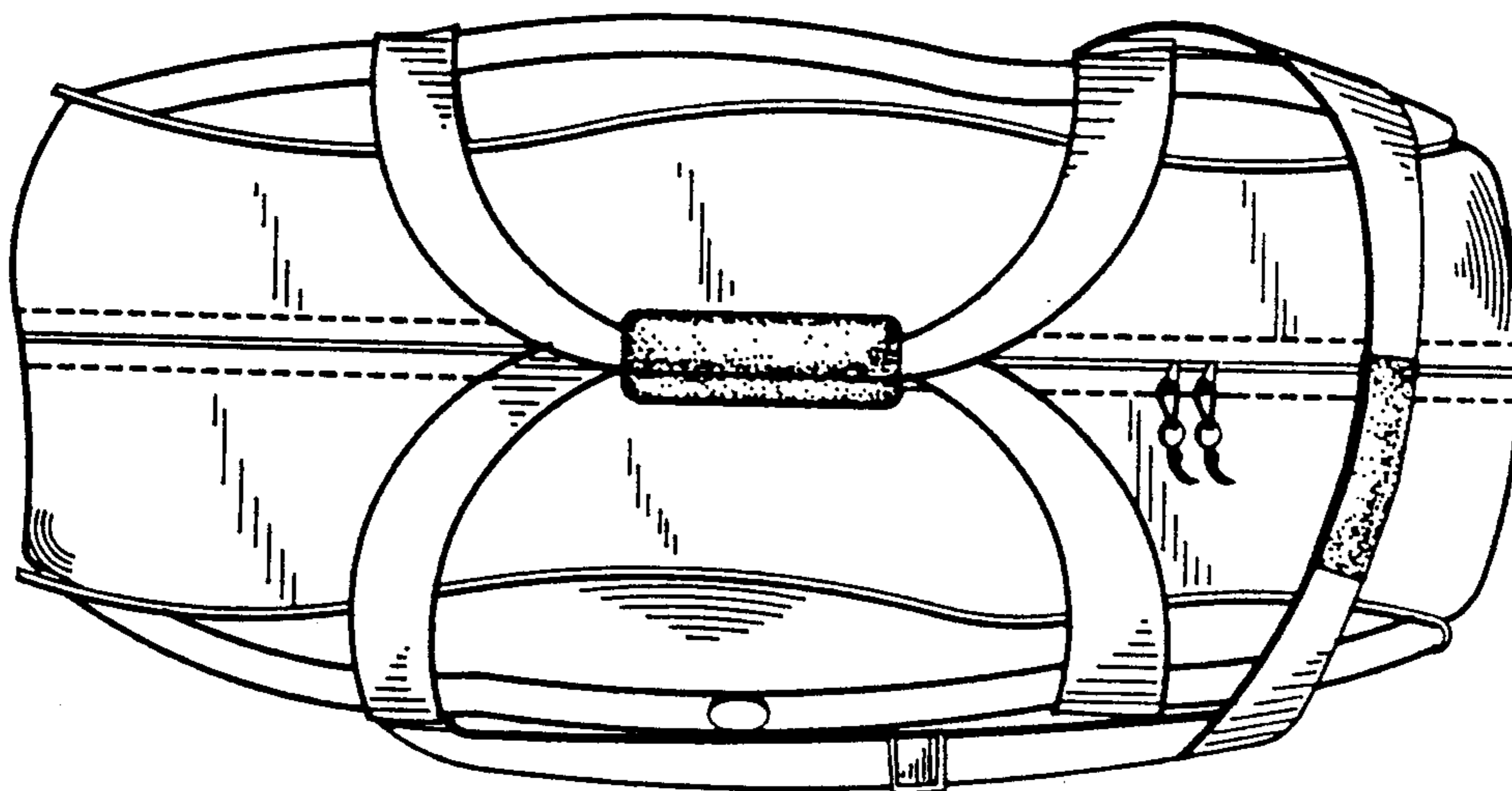


FIG. 4

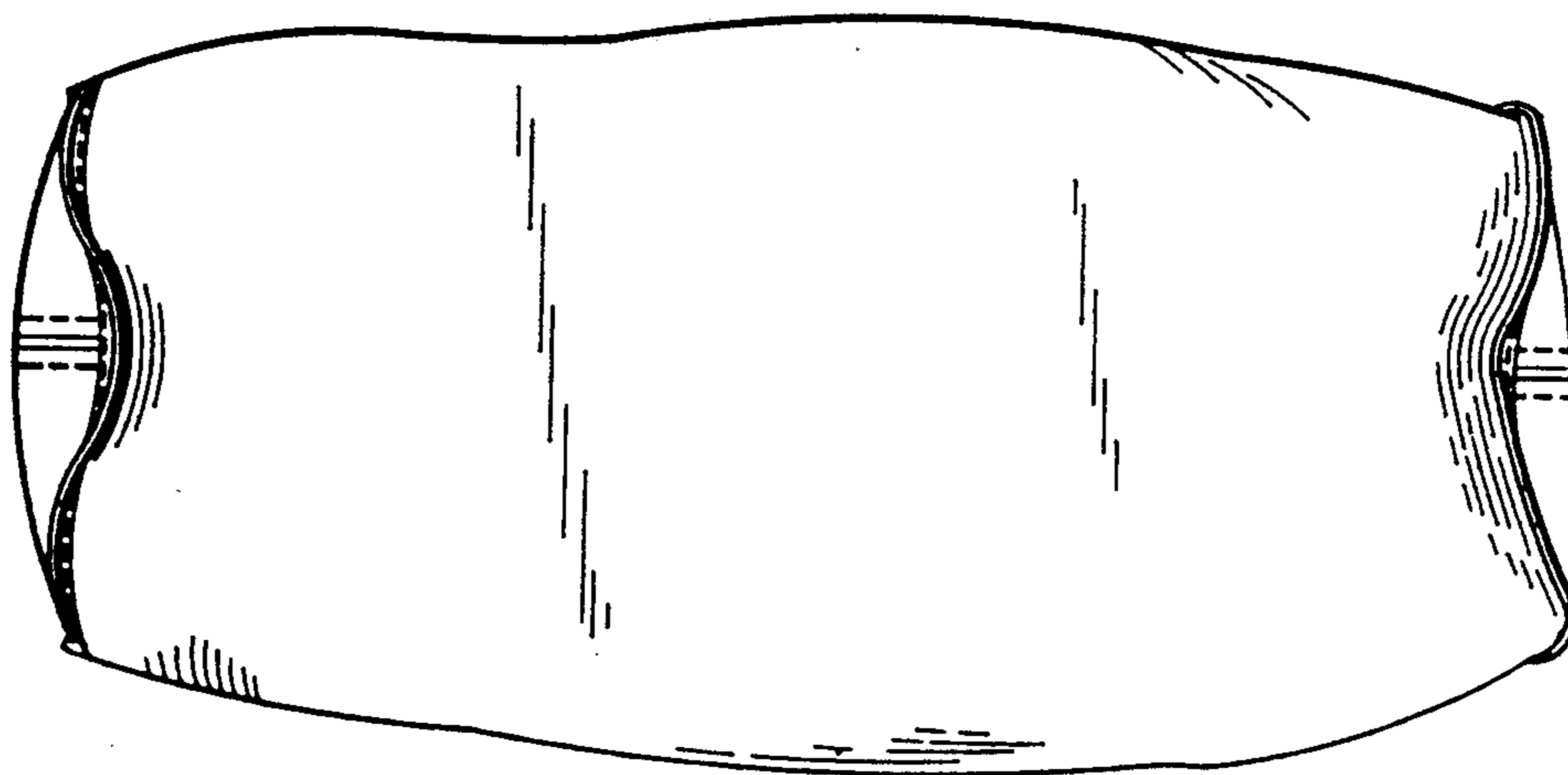


FIG. 5