

- [54] HANDGUN STORAGE BOX
- [75] Inventor: William J. Minneman, Clayton, Ohio
- [73] Assignee: MTM Molded Products Company, Dayton, Ohio
- [**] Term: 14 Years
- [21] Appl. No.: 191,657
- [22] Filed: May 6, 1988
- [52] U.S. Cl. D3/38; D3/73; D9/423
- [58] Field of Search D3/73, 74, 72, 76, 71; 190/100, 109, 110, 112, 16, 900, 901, 111; 206/317, 387, 315.1; D9/423

D. 269,648	7/1983	Wilcox et al.	D3/74 X
2,790,547	4/1957	Sutton	206/363 X
3,369,721	2/1968	Lentz	206/317

Primary Examiner—Louis S. Zarfaz
 Assistant Examiner—M. N. Pandozzi
 Attorney, Agent, or Firm—Biebel, French & Nauman

[57] CLAIM

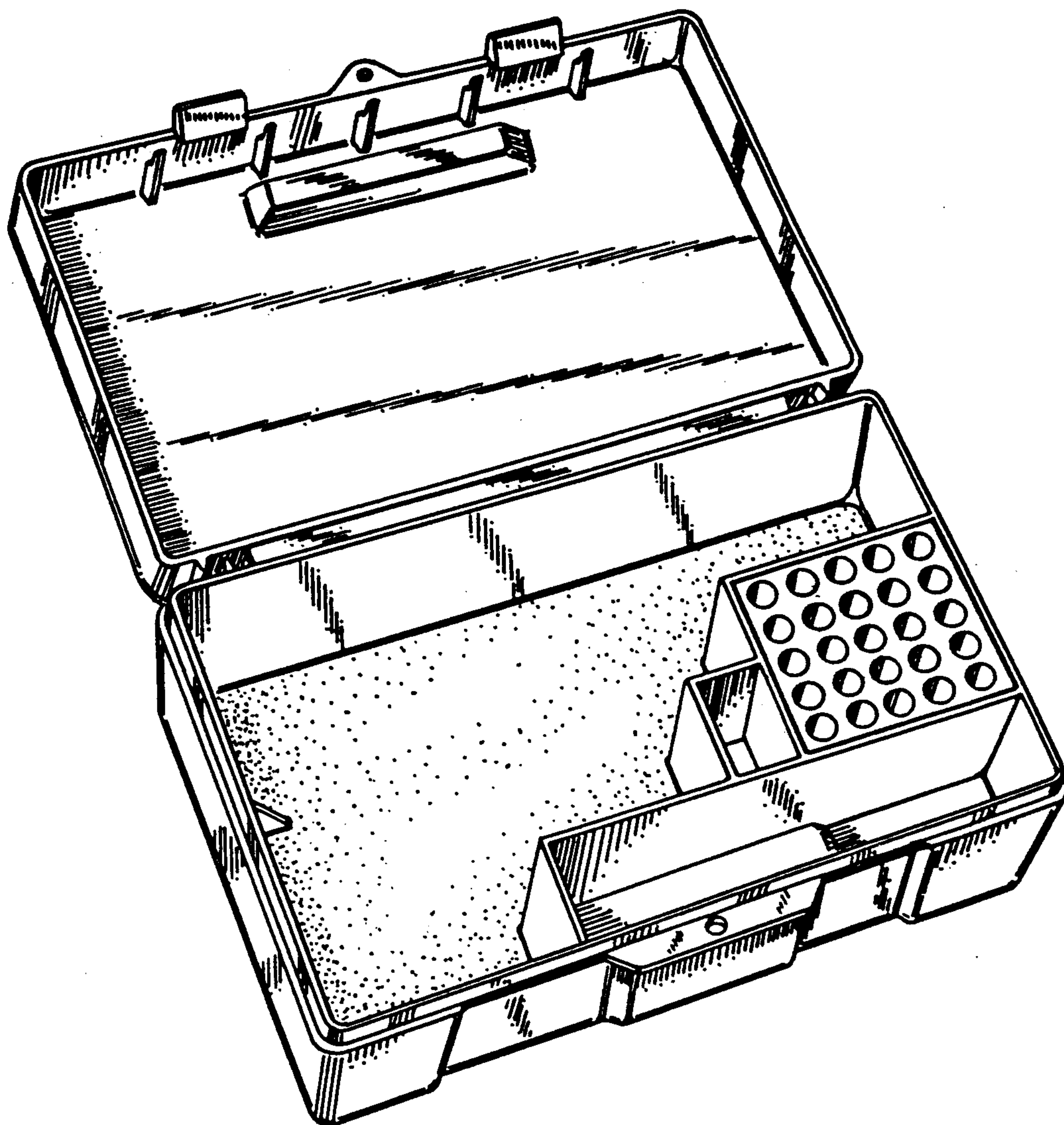
The ornamental design for a handgun storage box, as shown and described.

DESCRIPTION

FIG. 1 is a perspective view of a handgun storage box in open position, showing my new design;
 FIG. 2 is a perspective view of the handgun storage box in closed position;
 FIG. 3 is a top plan view thereof;
 FIG. 4 is a bottom plan view thereof;
 FIG. 5 is a front elevational view thereof;
 FIG. 6 is a rear elevational view thereof; and
 FIG. 7 is a left side elevational view, the right side being a mirror image thereof.

[56] References Cited
 U.S. PATENT DOCUMENTS

D. 205,579	8/1966	Schurman	D3/76 X
D. 205,580	8/1966	Schurman	D3/76 X
D. 213,601	3/1969	Benke	D3/74 X
D, 220,021	2/1971	Bruening	D3/76 X



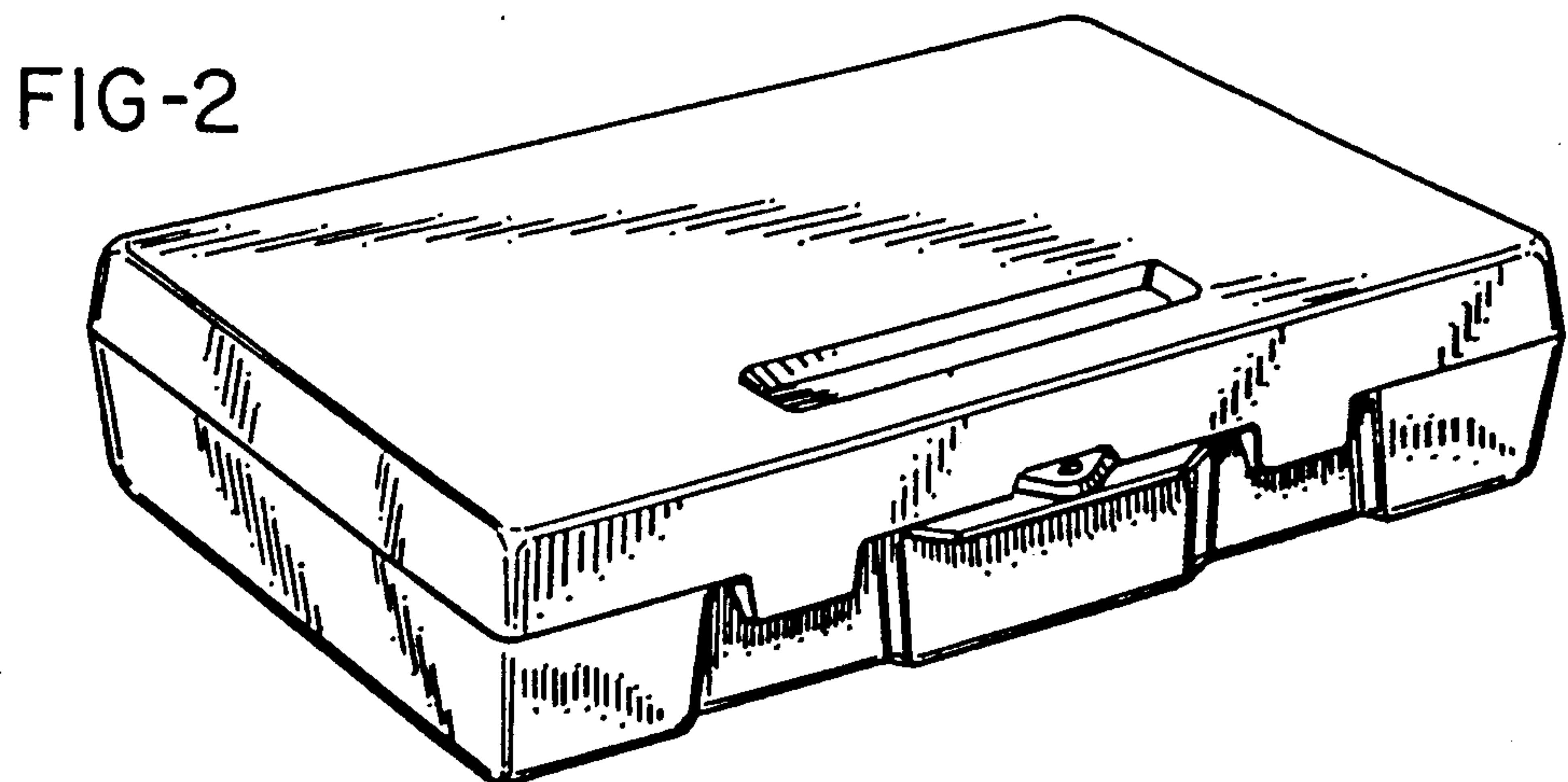
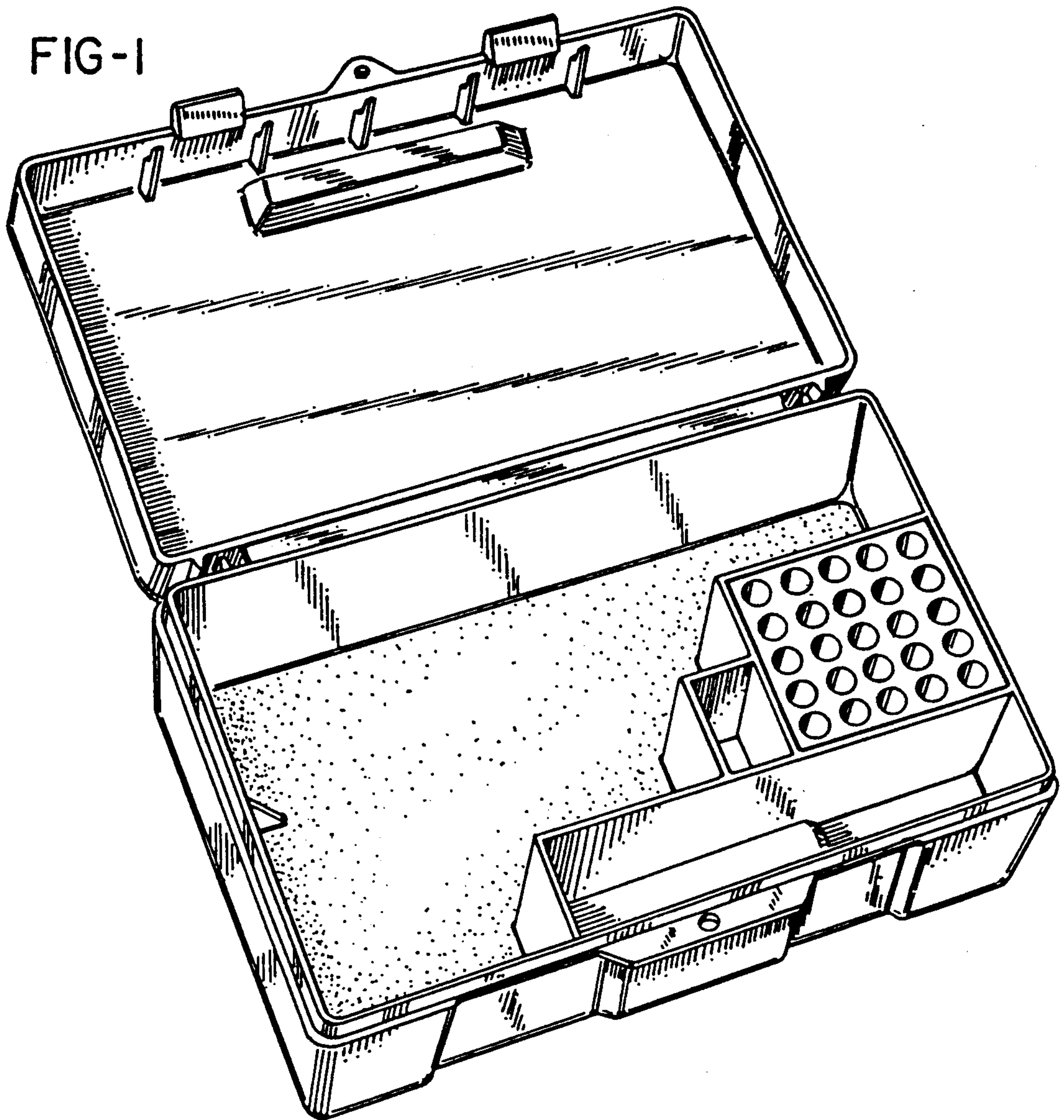


FIG-3

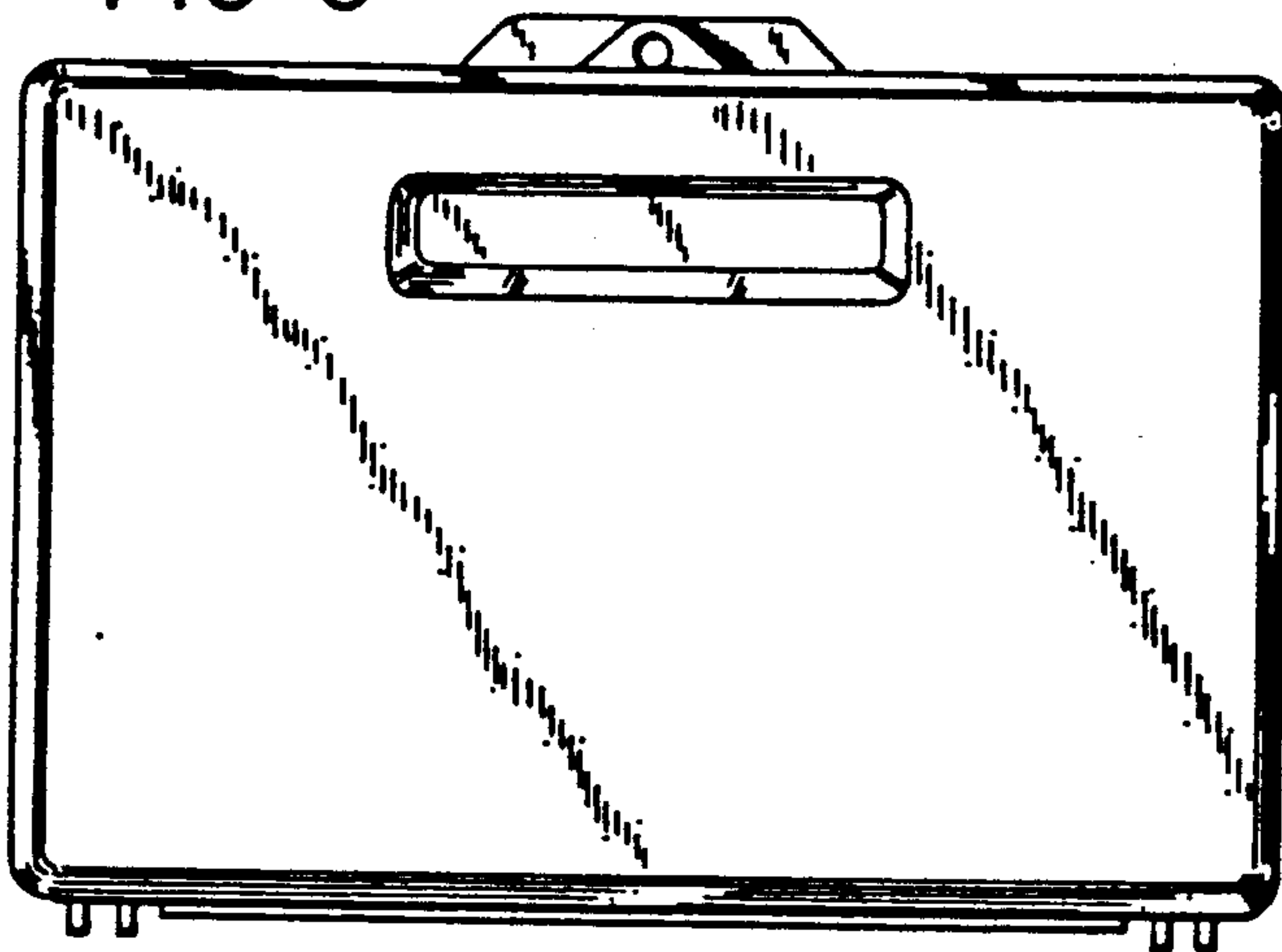


FIG-4

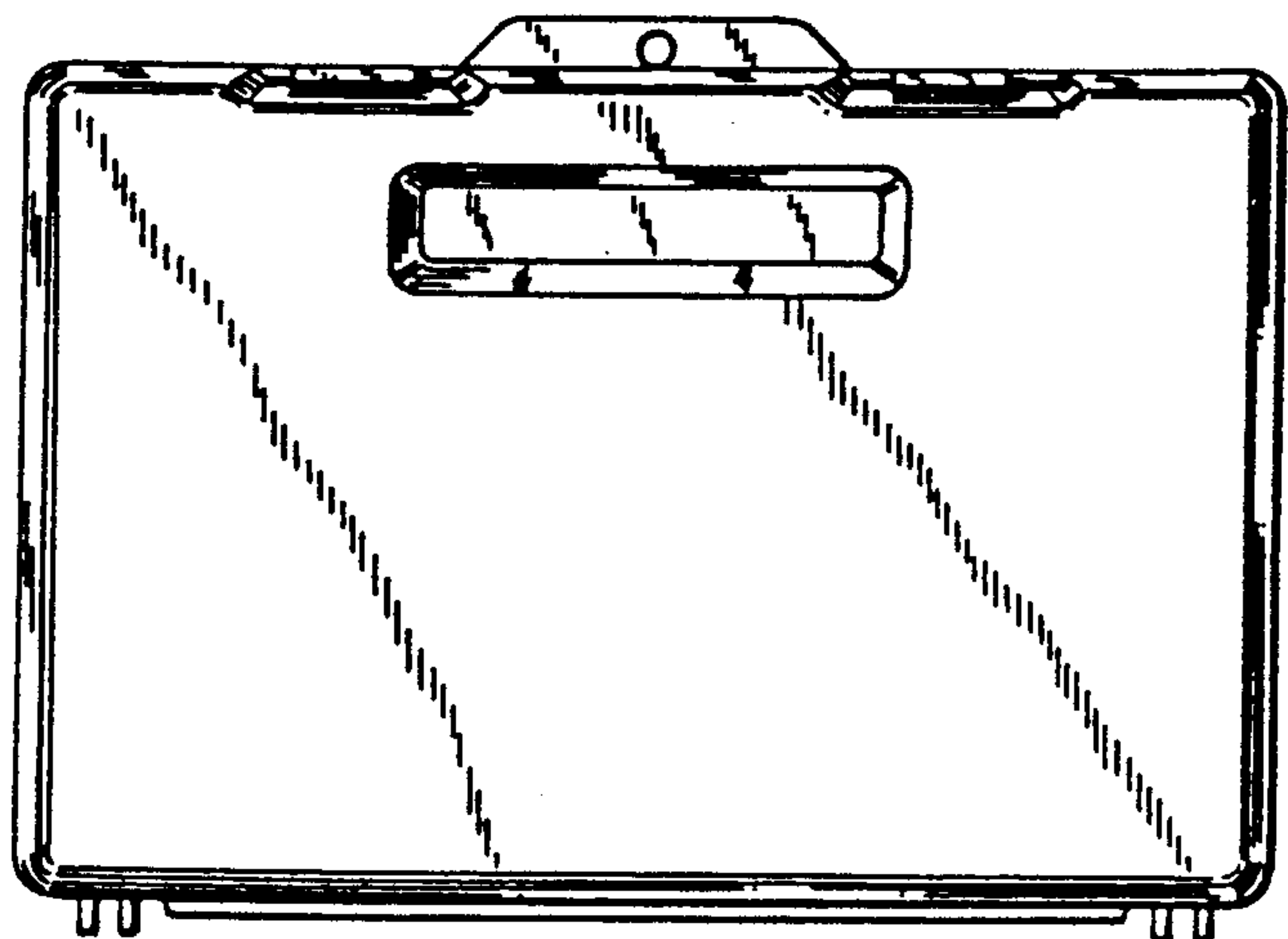


FIG-5

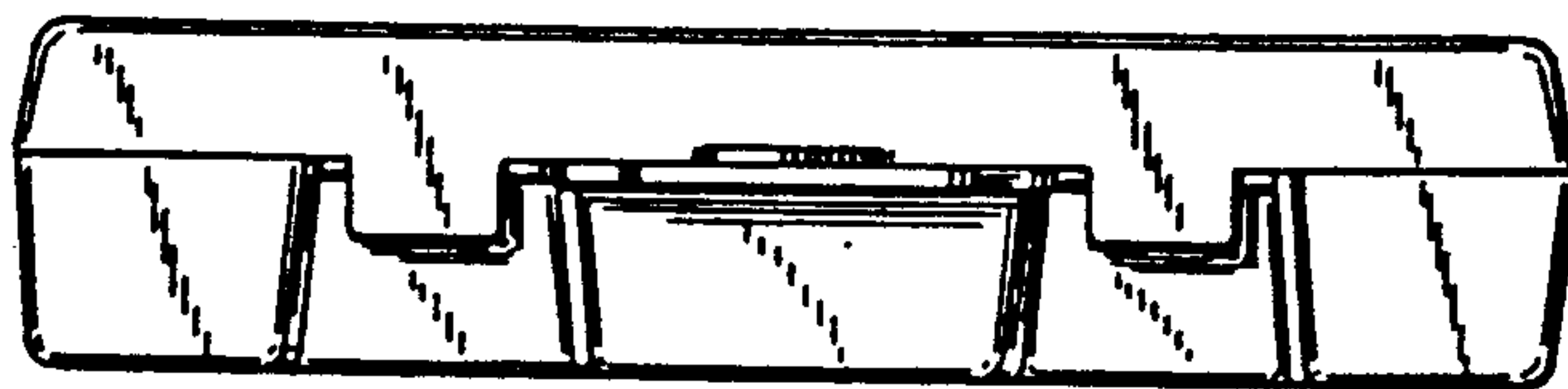


FIG-6

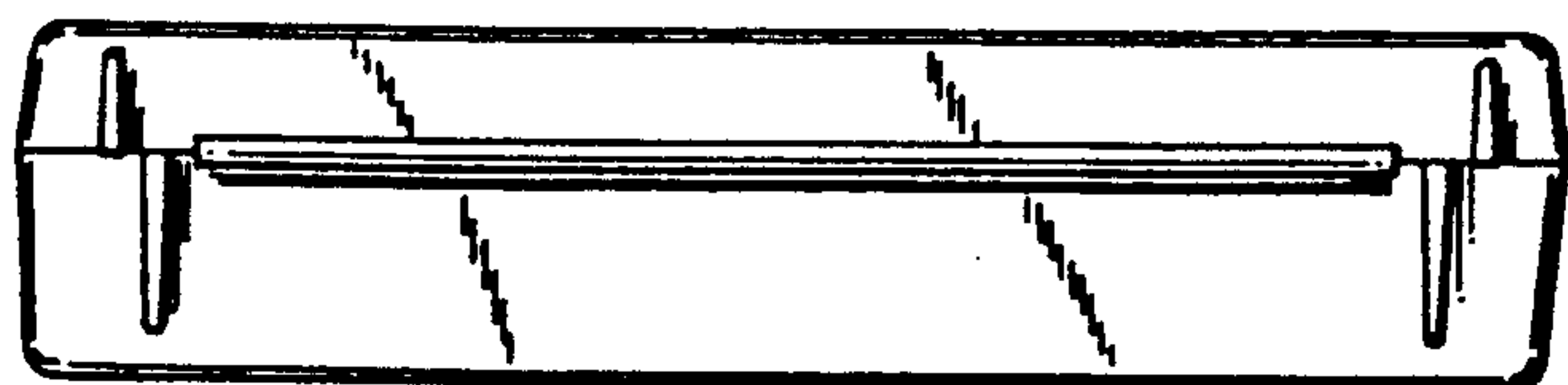


FIG-7

