

[54] MOBILE REFUSE BIN

[76] Inventor: Randy P. Barenaba, 55-162 Puuahi St., Laie, Oahu, Hi. 96762

[**] Term: 14 Years

[21] Appl. No.: 249,096

[22] Filed: Sep. 26, 1988

[52] U.S. Cl. D34/5; D34/17

[58] Field of Search D34/12, 17, 18, 19, D34/20, 23, 5, 1, 3; 280/47.19, 47.34, 47.35, 47.24, 47.26, 79.3, 47.33; 220/1 T, 19

[56] References Cited

U.S. PATENT DOCUMENTS

- D. 146,848 6/1947 Brickson D34/24
- D. 189,291 11/1960 Clarke D34/21
- D. 204,753 5/1966 Shepherd D34/24

- D. 289,936 5/1987 Shoctor D34/24
- D. 304,111 10/1989 Mehalick D34/24
- 3,762,738 10/1973 Christina D34/5

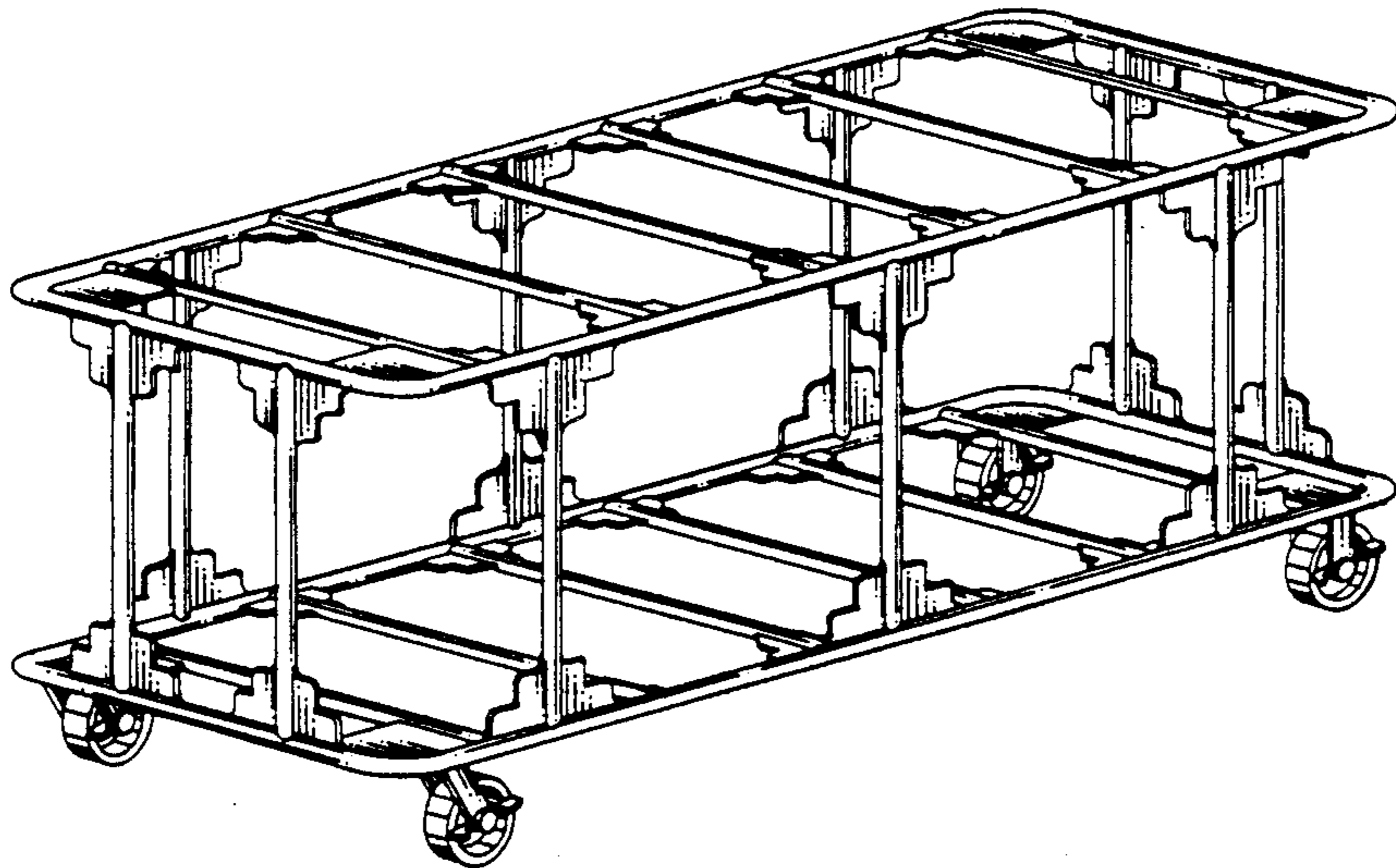
Primary Examiner—Kay H. Chin
Attorney, Agent, or Firm—Leon Gilden

[57] CLAIM

The ornamental design for a mobile refuse bin, as shown and described.

DESCRIPTION

FIG. 1 is a front elevational view of a mobile refuse bin showing my new design;
 FIG. 2 is a rear elevational view thereof;
 FIG. 3 is a left side elevational view thereof;
 FIG. 4 is a right side elevational view thereof;
 FIG. 5 is a top plan view thereof;
 FIG. 6 is a bottom plan view thereof; and
 FIG. 7 is a top and front perspective view thereof.



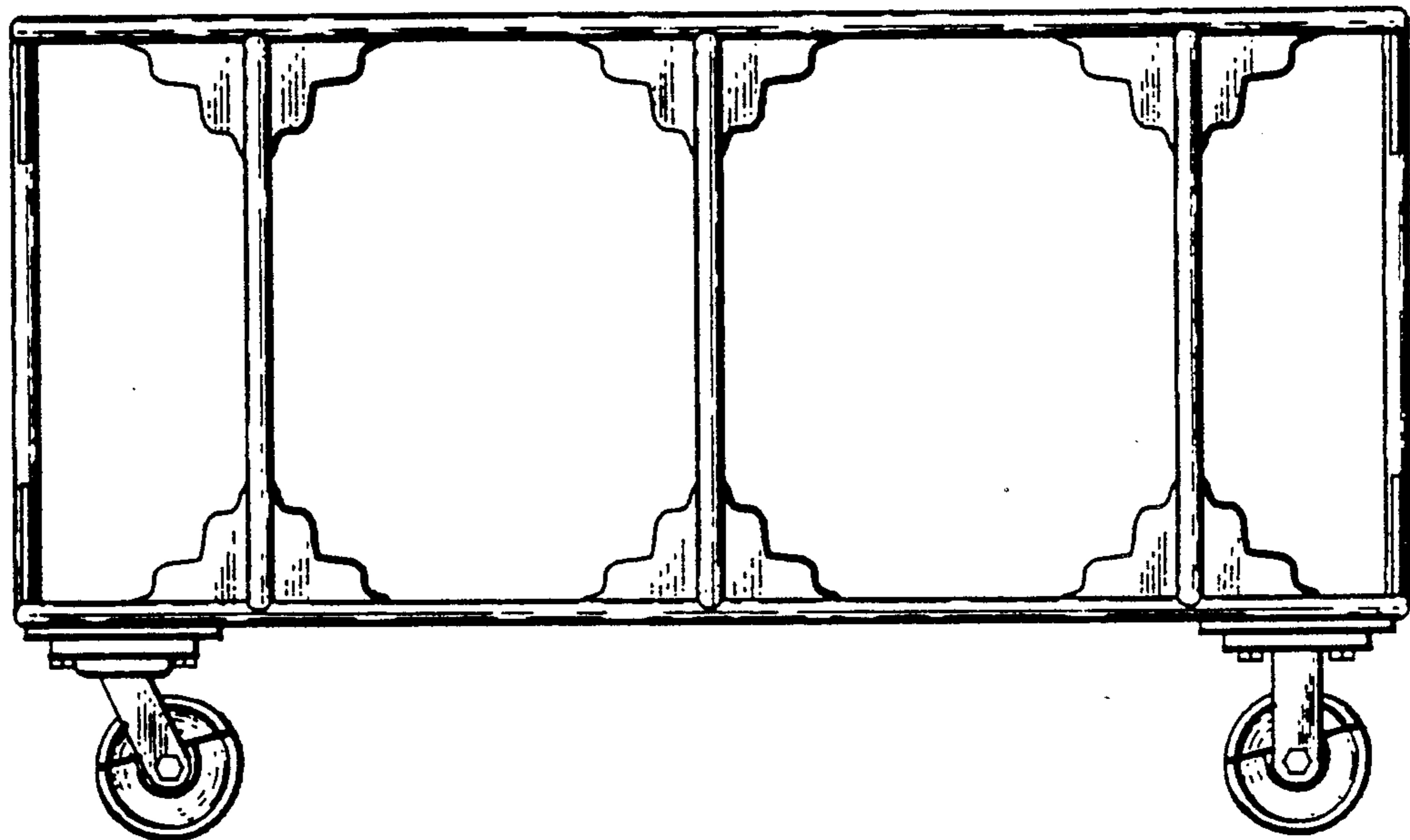


FIG. 1.

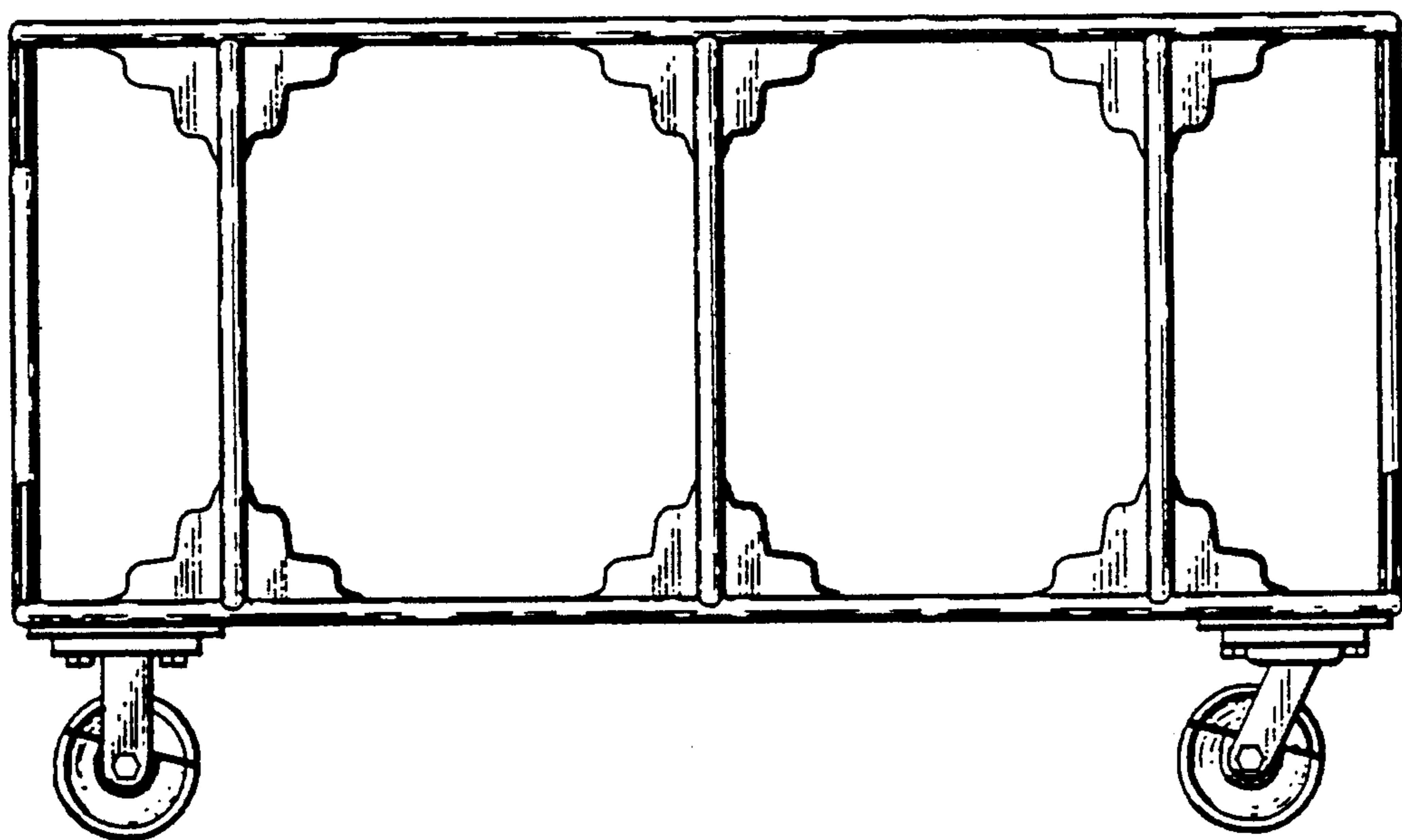


FIG. 2.

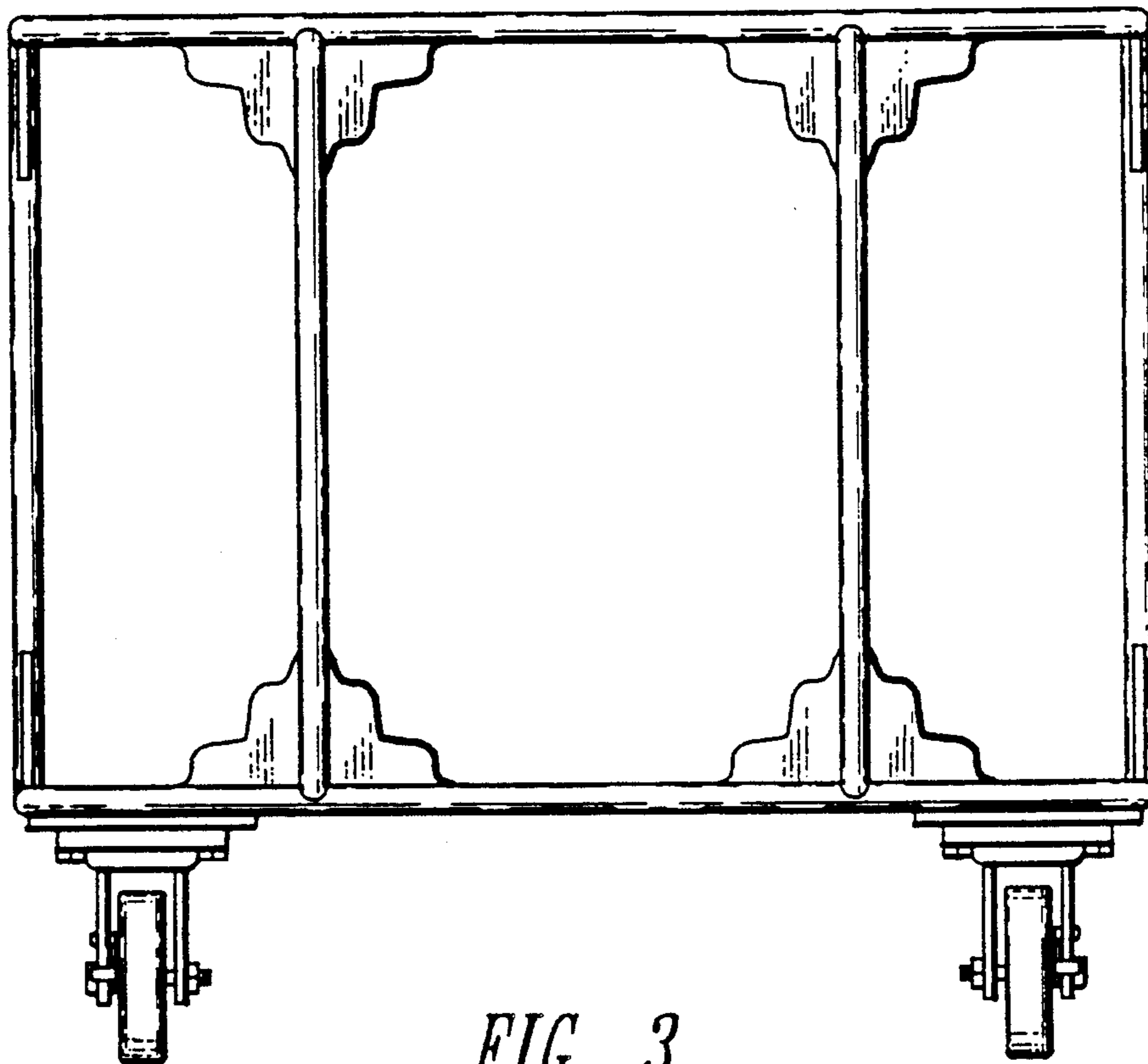


FIG. 3.

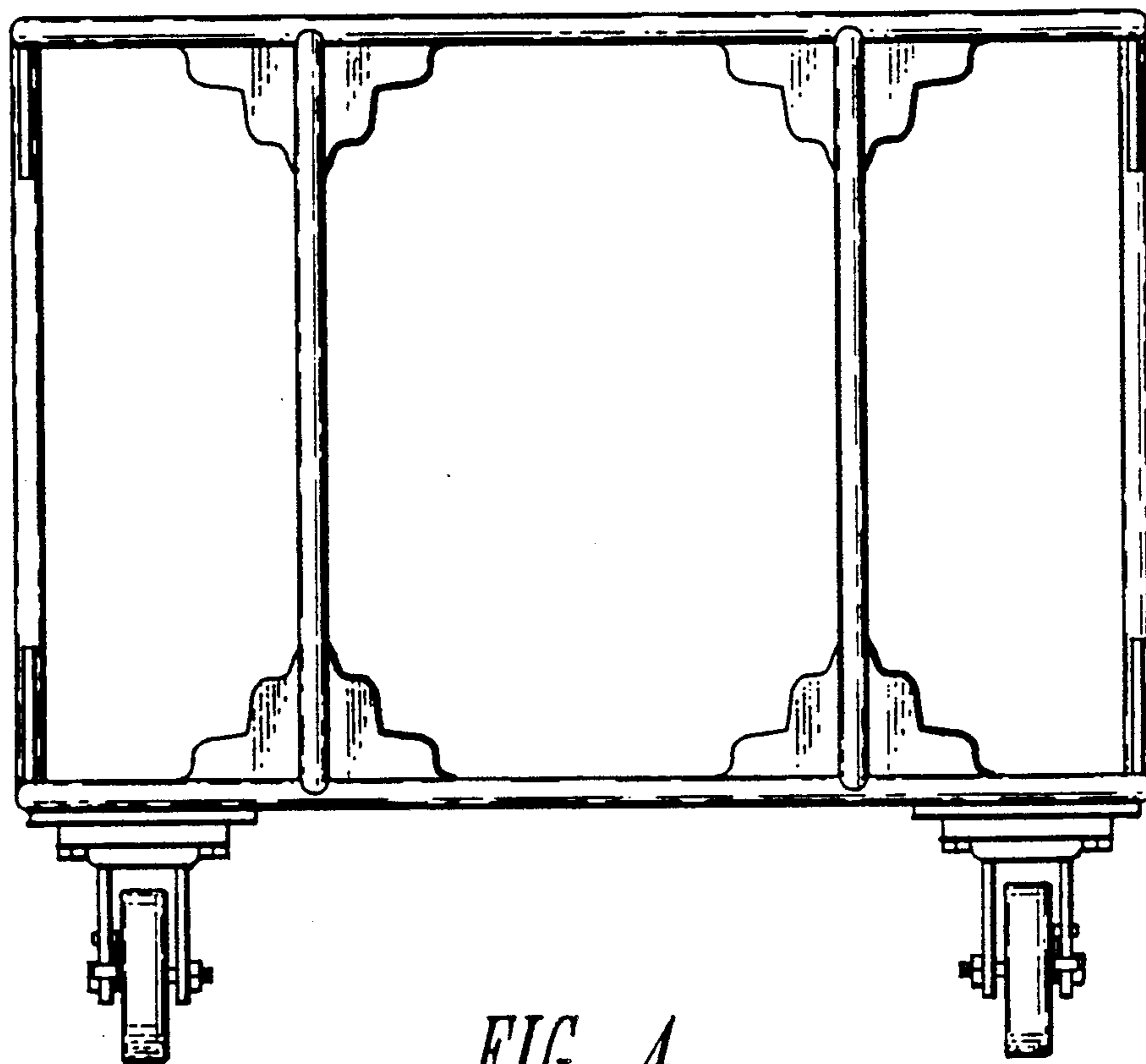


FIG. 4.

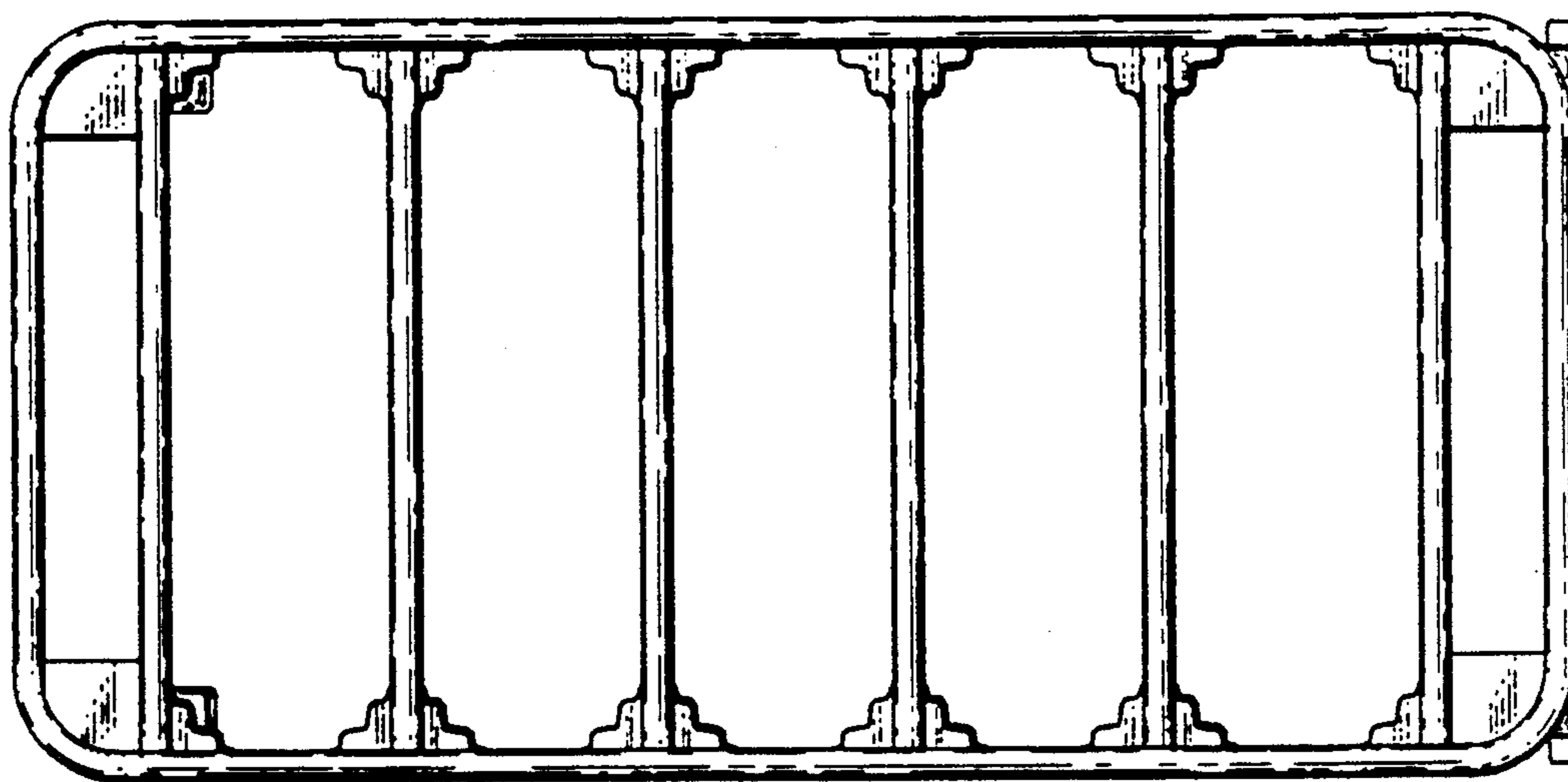


FIG. 5.

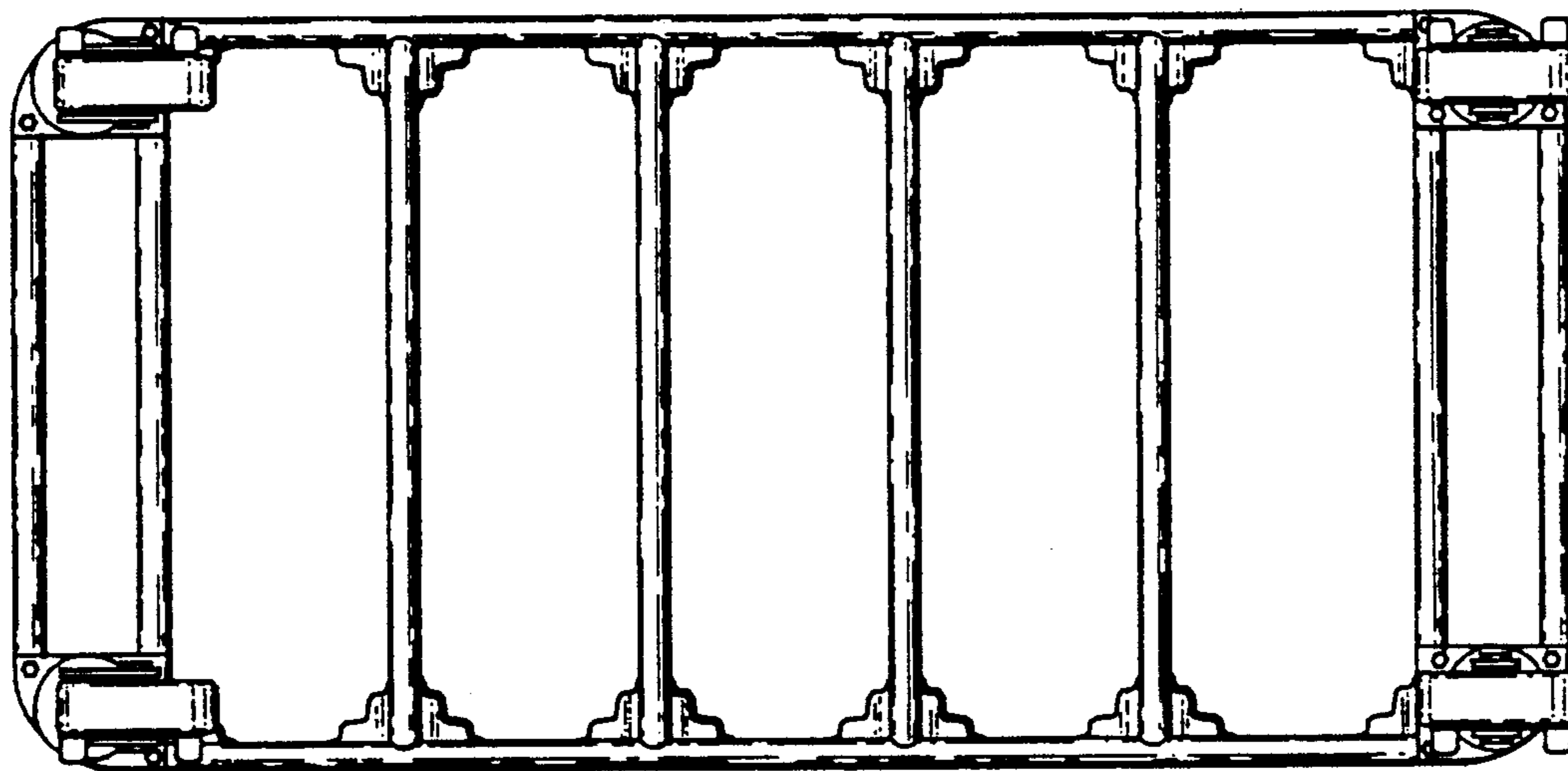


FIG. 6.

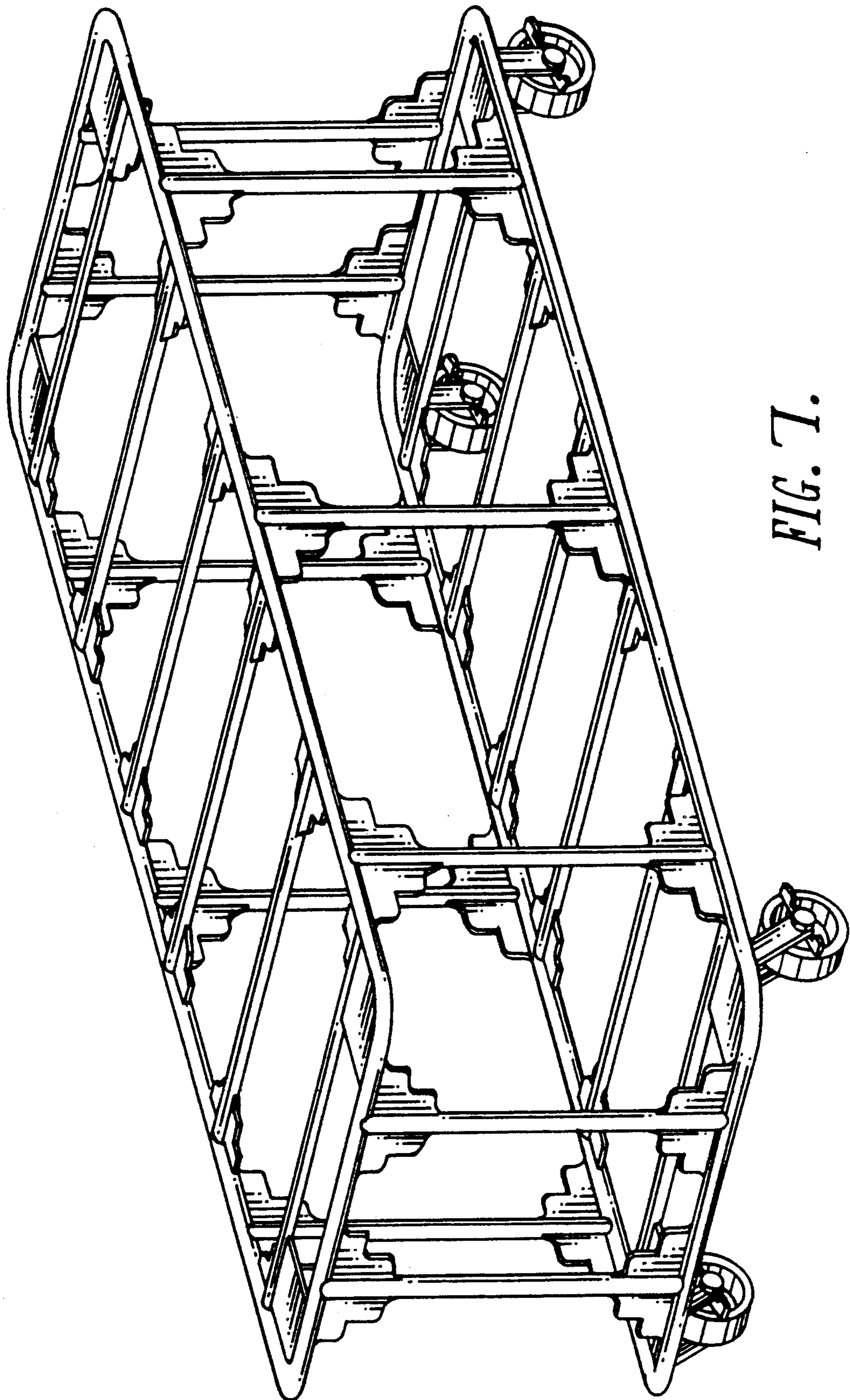


FIG. 1.