

[54] **POWER NOZZLE FOR VACUUM CLEANER**

[75] **Inventor: Goon S. Hong, Seoul, Rep. of Korea**

[73] **Assignee: Goldstar Co., Ltd., Seoul, Rep. of Korea**

[**] **Term: 14 Years**

[21] **Appl. No.: 203,148**

[22] **Filed: Jun. 7, 1988**

[30] **Foreign Application Priority Data**

Dec. 31, 1987 [KR] Rep. of Korea 20011/1987

[52] **U.S. Cl. D32/33**

[58] **Field of Search D32/25, 31-34;
15/415 R, 415 A, 418-422**

[56] **References Cited**

U.S. PATENT DOCUMENTS

D. 248,476 7/1978 Haynes D32/32

D. 257,255 10/1980 Robinson D32/33

D. 262,708 1/1982 Essex D32/32

D. 263,052 2/1982 Veda D32/33

D. 263,236 3/1982 Veda D32/32

D. 298,876 12/1988 Yamamoto et al. D32/33

Primary Examiner—A. Hugo Word
Assistant Examiner—Ruth McInroy
Attorney, Agent, or Firm—Birch, Stewart, Kolasch & Birch

[57] **CLAIM**

The ornamental design for a power nozzle for a vacuum cleaner, as shown.

DESCRIPTION

FIG. 1 is a perspective view of a power nozzle for a vacuum cleaner showing my new design;
FIG. 2 is a top plan view thereof;
FIG. 3 is a front elevational view thereof;
FIG. 4 is a right side elevational view thereof;
FIG. 5 is a bottom plan view thereof;
FIG. 6 is a rear elevational view thereof; and
FIG. 7 is a left side elevational view thereof.

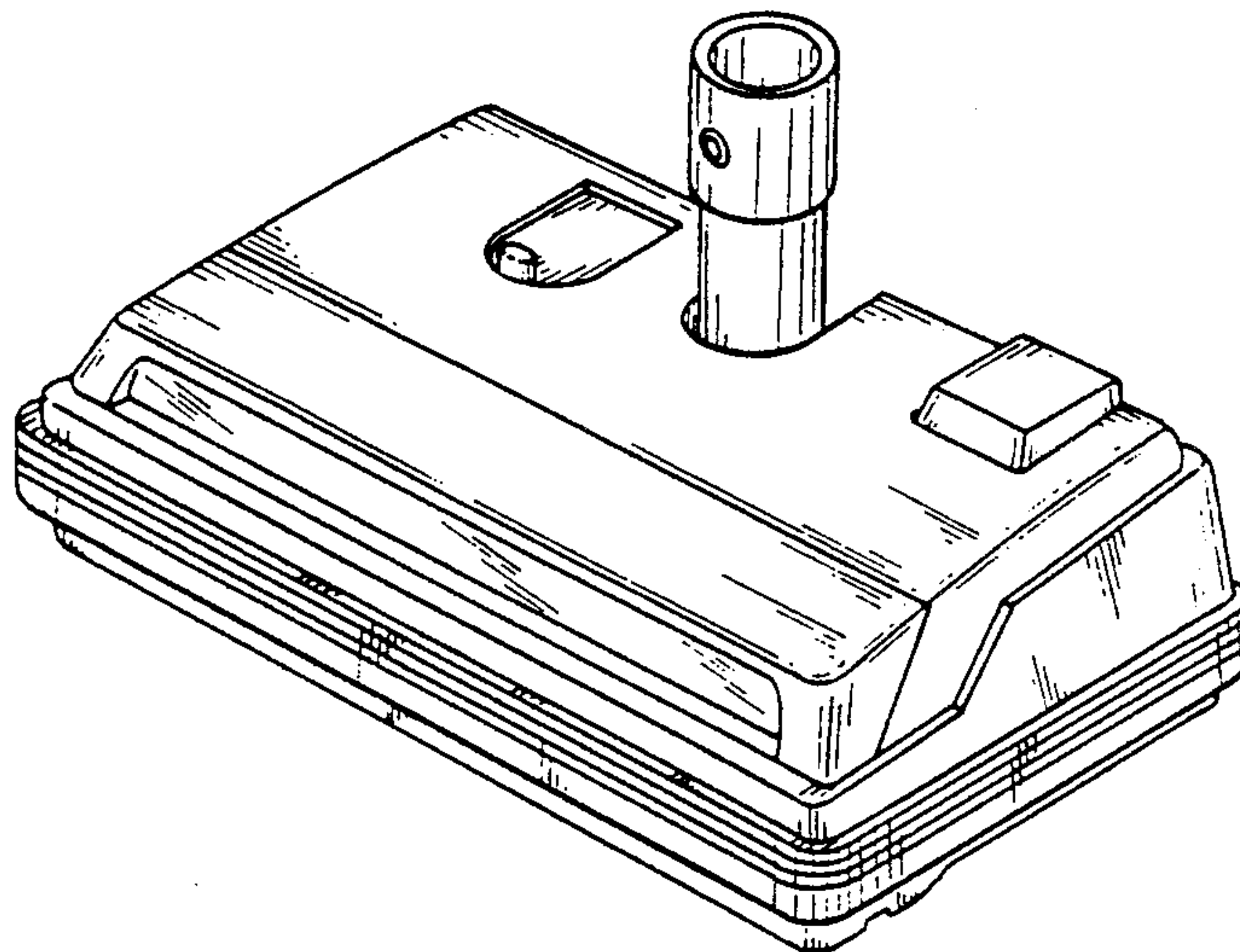
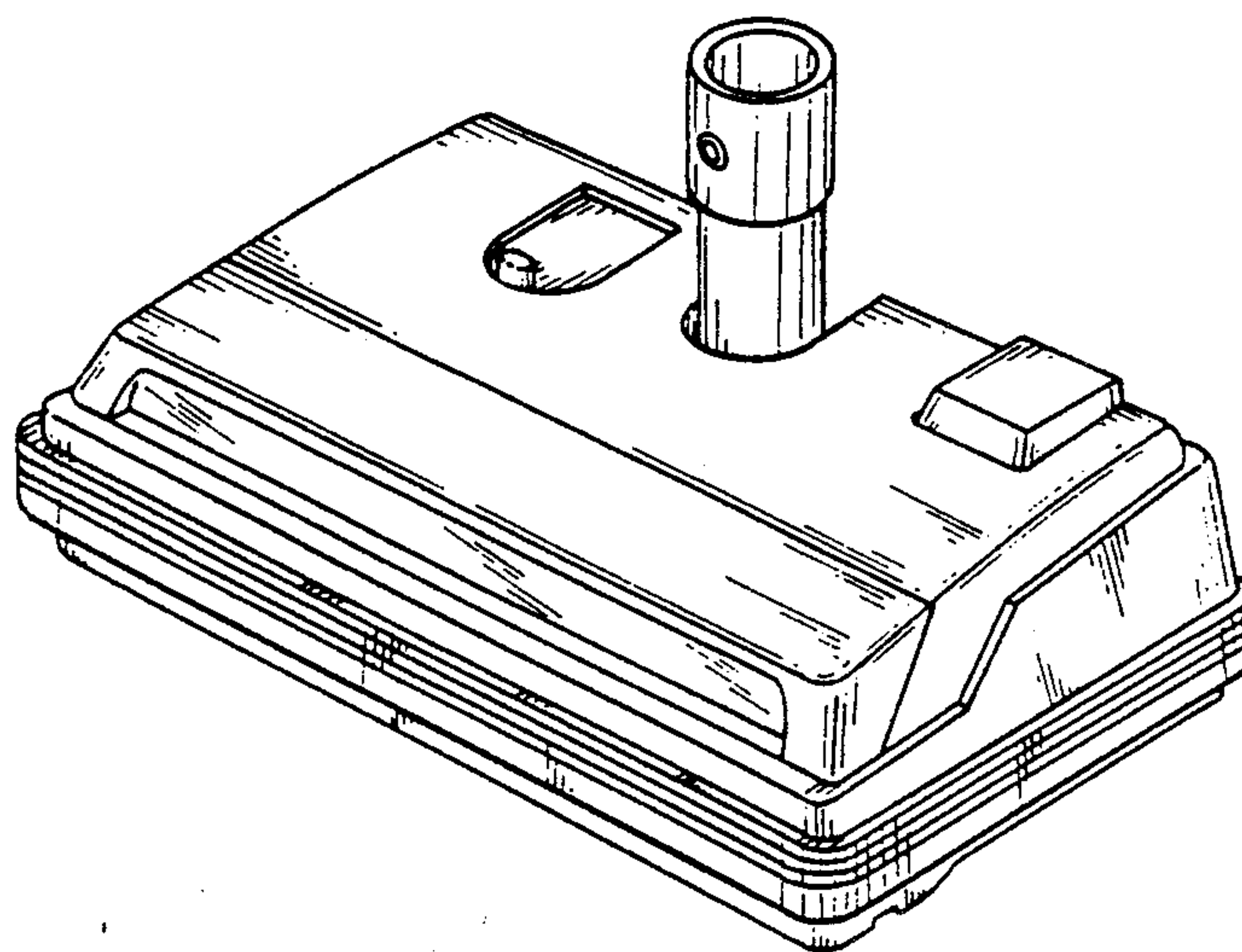


FIG. 1



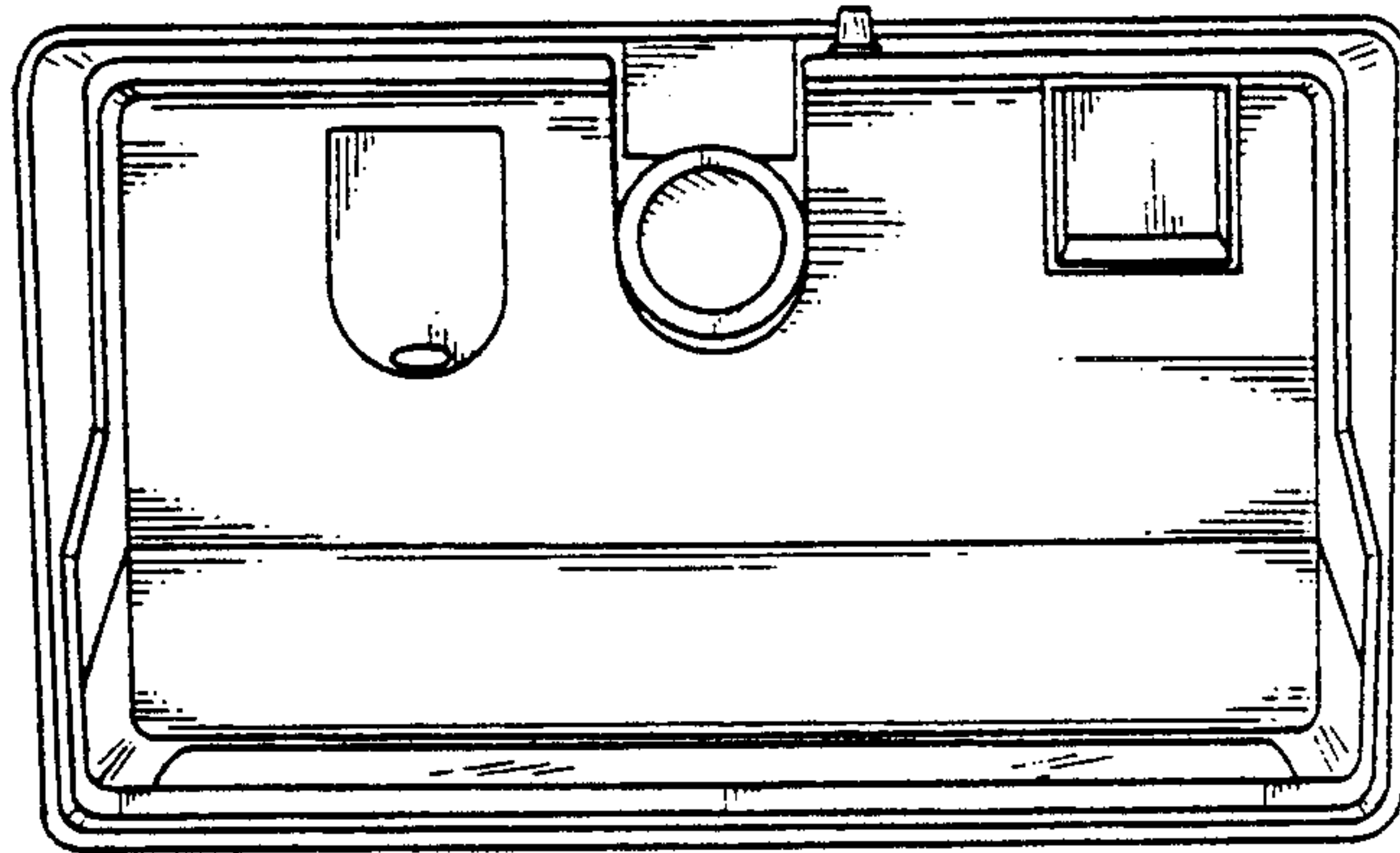


FIG. 2

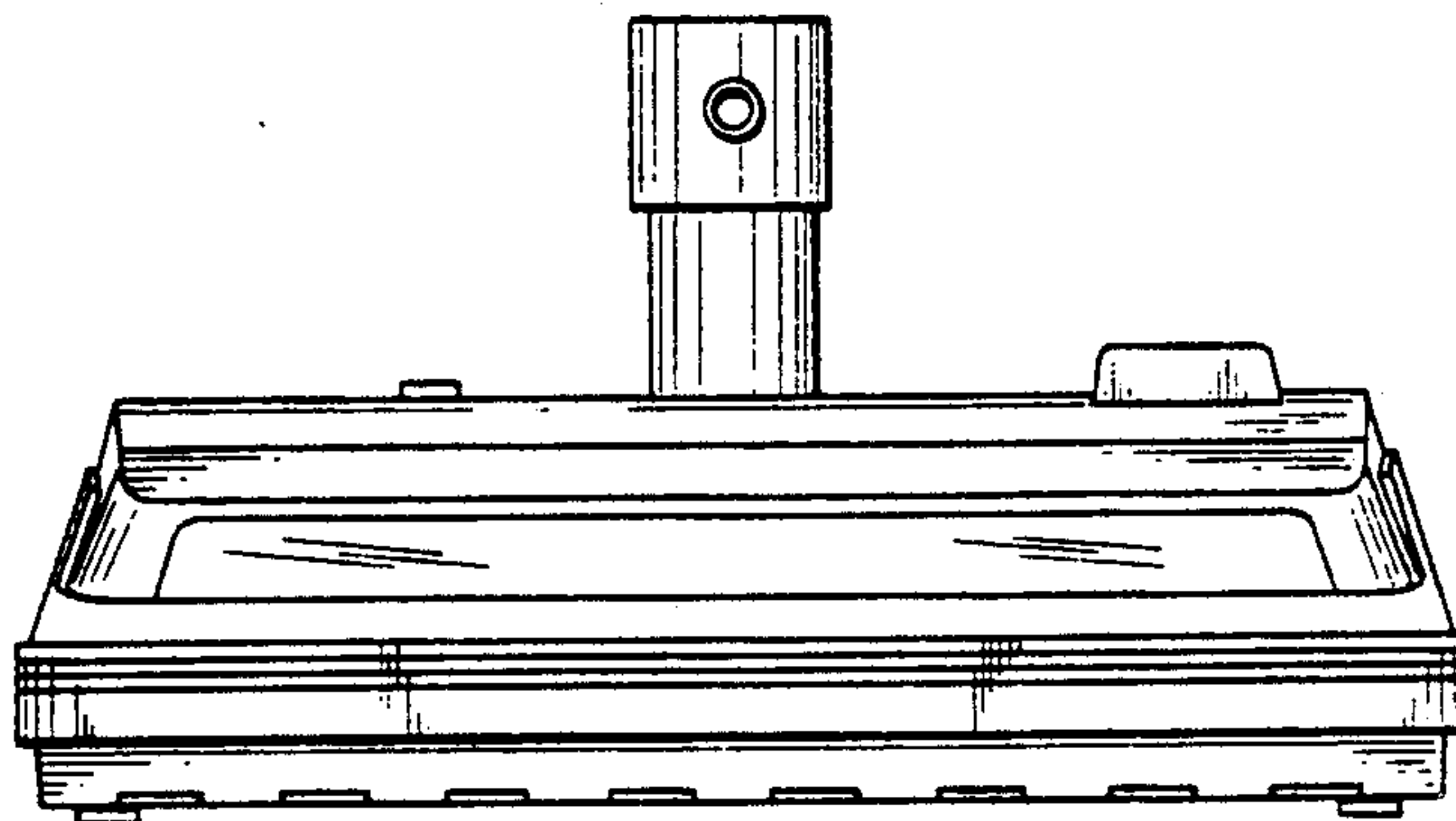


FIG. 3

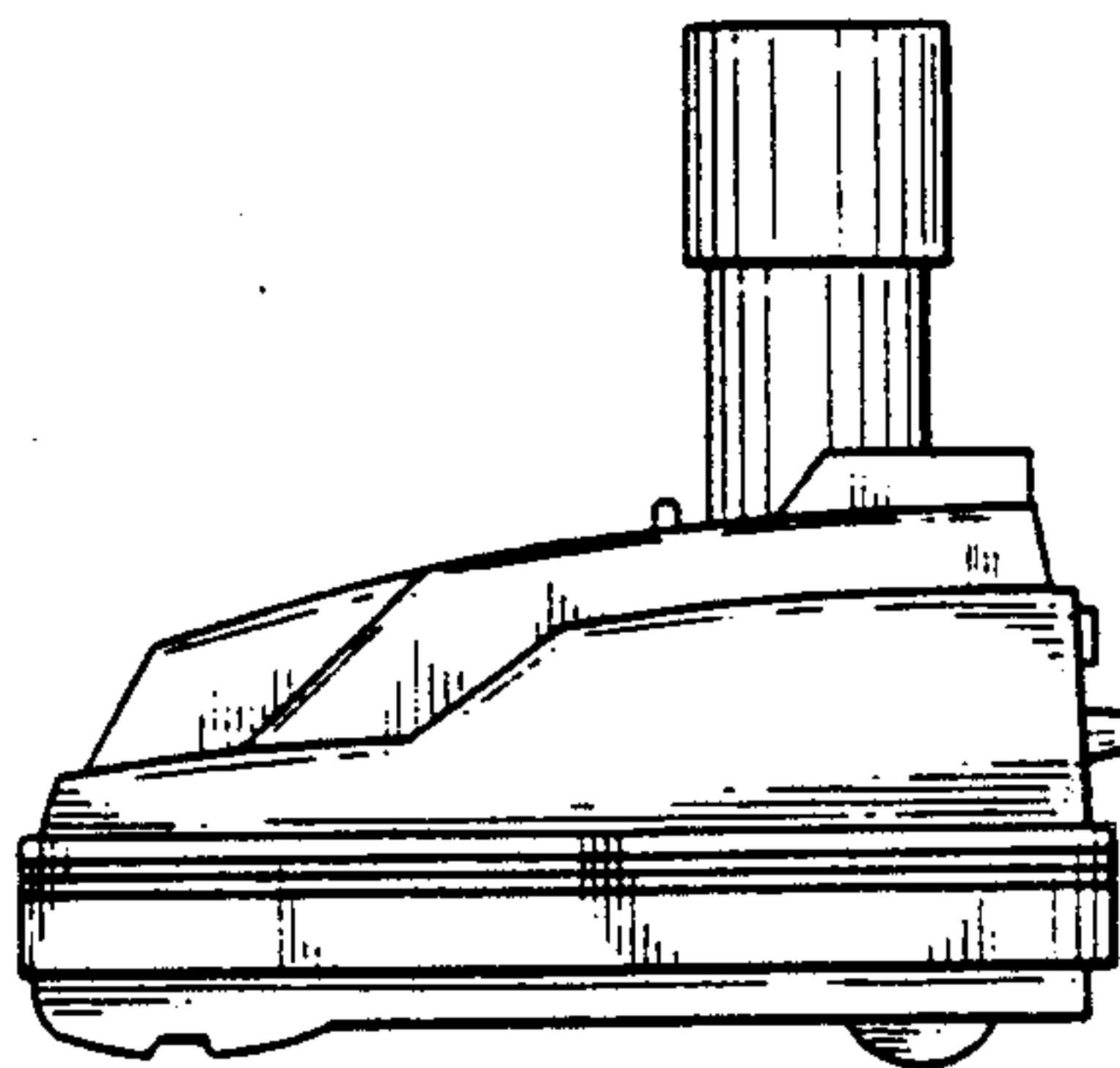


FIG. 4

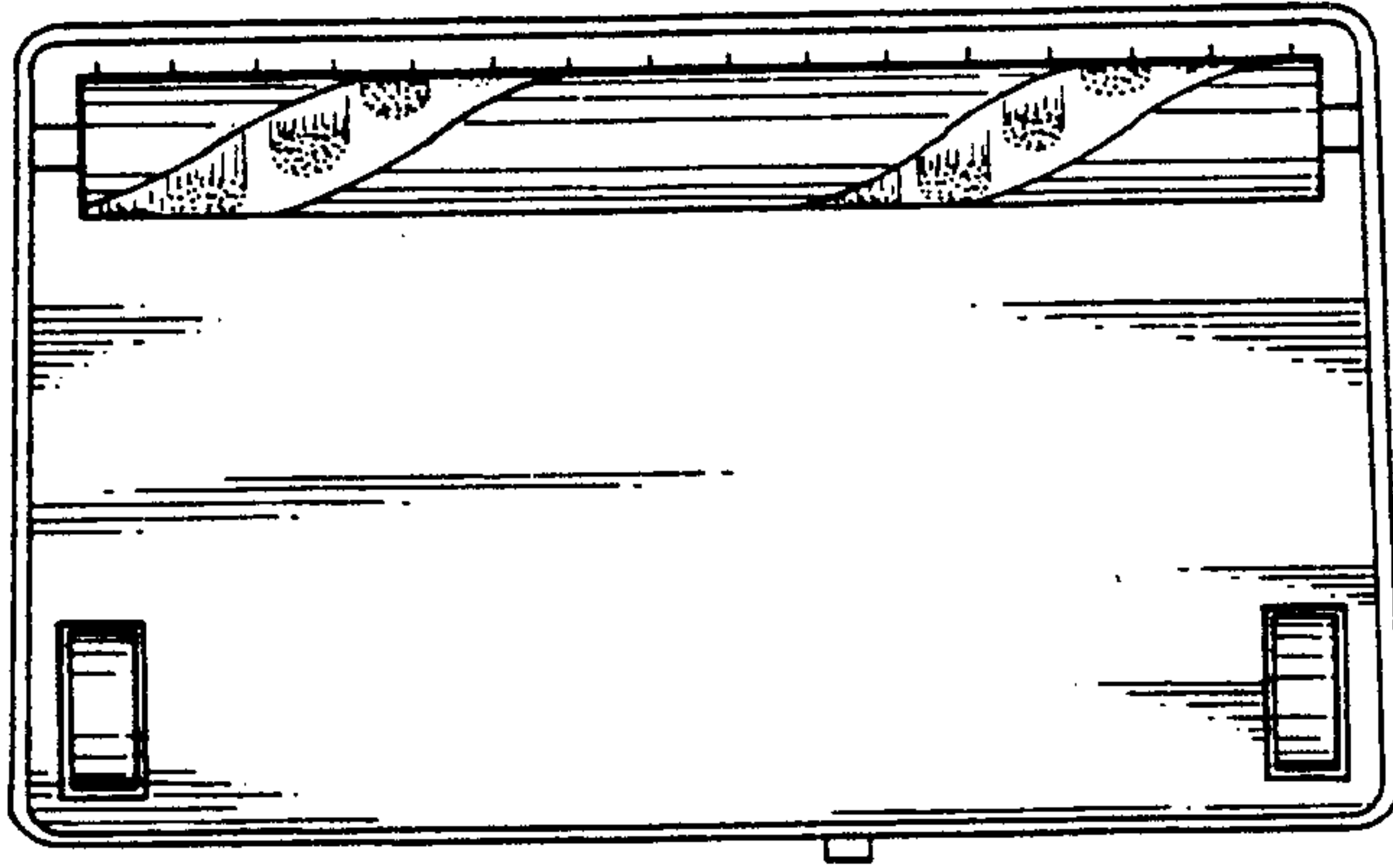


FIG. 5

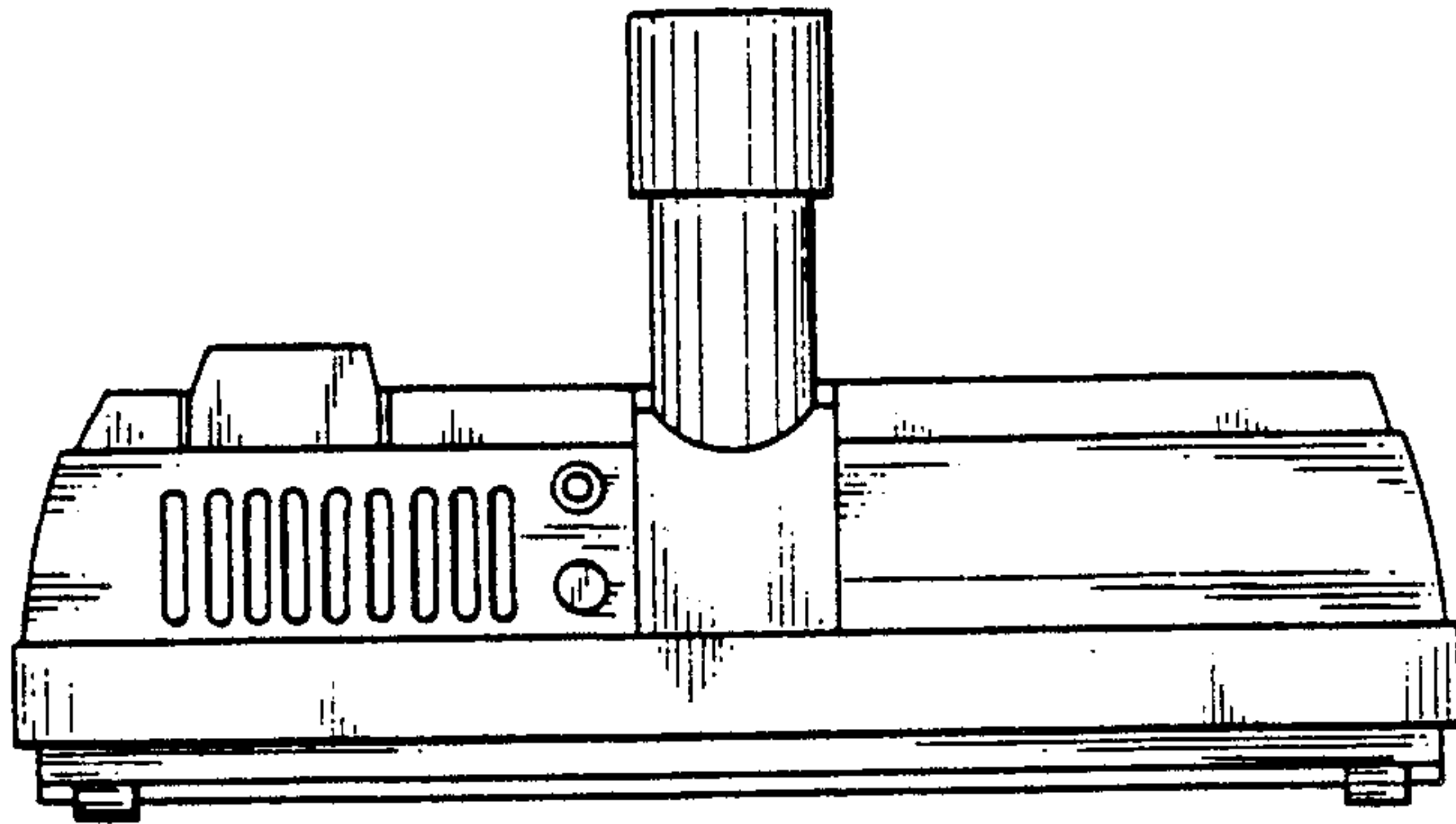


FIG. 6

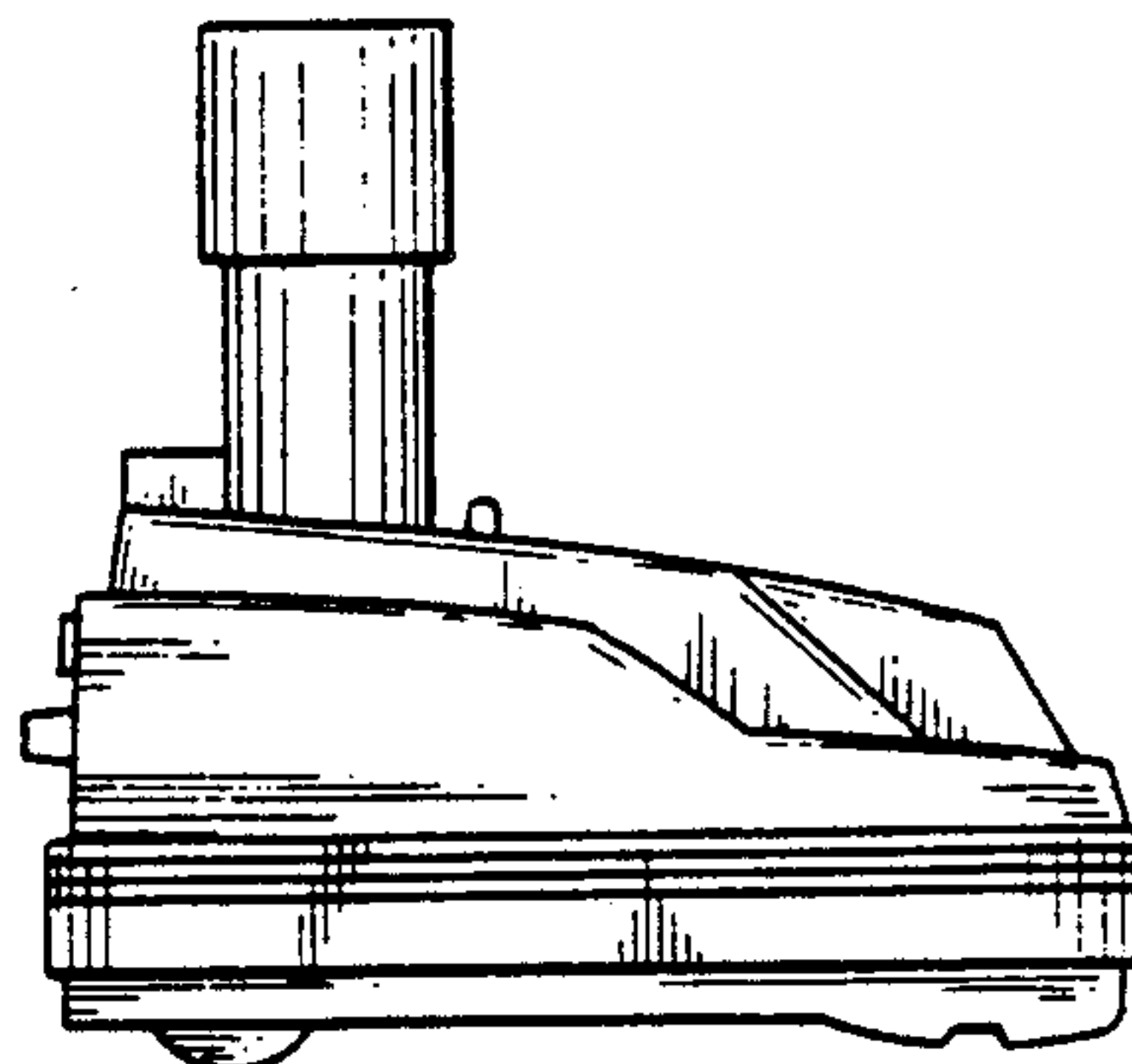


FIG. 7