

[54] **POWER NOZZLE FOR VACUUM CLEANER**

[75] **Inventor: Chul H. Kim, Seoul, Rep. of Korea**

[73] **Assignee: Goldstar Co., Ltd., Seoul, Rep. of Korea**

[\*\*] **Term: 14 Years**

[21] **Appl. No.: 203,147**

[22] **Filed: Jun. 7, 1988**

[30] **Foreign Application Priority Data**

Dec. 19, 1987 [KR] Rep. of Korea ..... 18960/1987

[52] **U.S. Cl. .... D32/33**

[58] **Field of Search .... D32/25, 31-34;  
15/415 R, 415 A, 418-422**

[56] **References Cited**

**U.S. PATENT DOCUMENTS**

D. 248,476 7/1978 Haynes ..... D32/32  
D. 257,255 10/1982 Robinson ..... D32/33

D. 262,708 1/1982 Essex ..... D32/32  
D. 263,052 2/1982 Ueda ..... D32/33  
D. 263,236 3/1982 Ueda ..... D32/32  
D. 298,876 12/1988 Yamamoto et al. .... D32/33

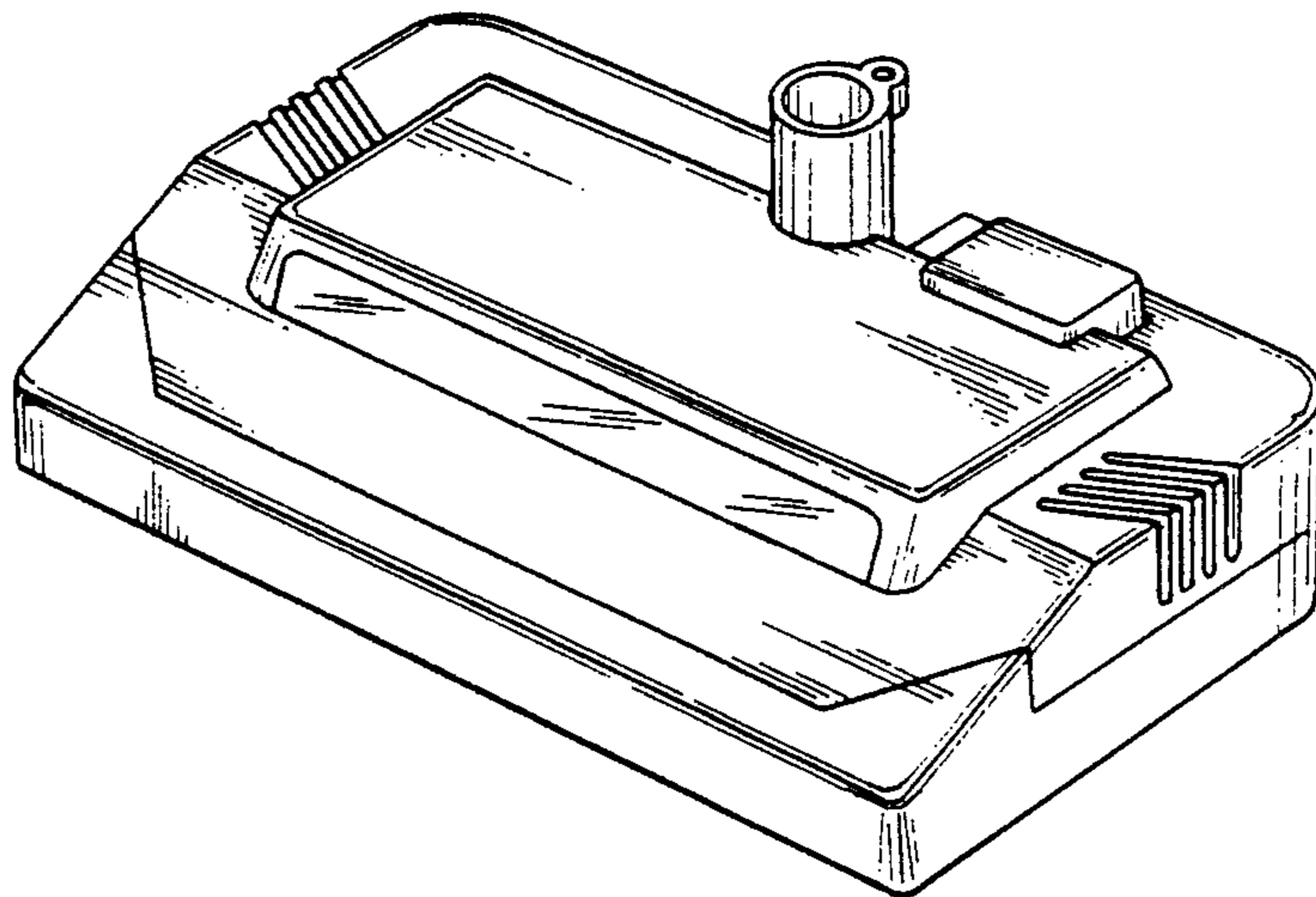
*Primary Examiner*—A. Hugo Word  
*Assistant Examiner*—Ruth McInroy  
*Attorney, Agent, or Firm*—Birch, Stewart, Kolasch & Birch

[57] **CLAIM**

The ornamental design for a power nozzle for vacuum cleaner, as shown.

**DESCRIPTION**

FIG. 1 is a perspective view of a power nozzle for a vacuum cleaner showing my new design;  
FIG. 2 is a top plan view thereof;  
FIG. 3 is a bottom plan view thereof;  
FIG. 4 is a front elevational view thereof;  
FIG. 5 is a rear elevational view thereof;  
FIG. 6 is a left side elevational view thereof; and  
FIG. 7 is a right side elevational view thereof.



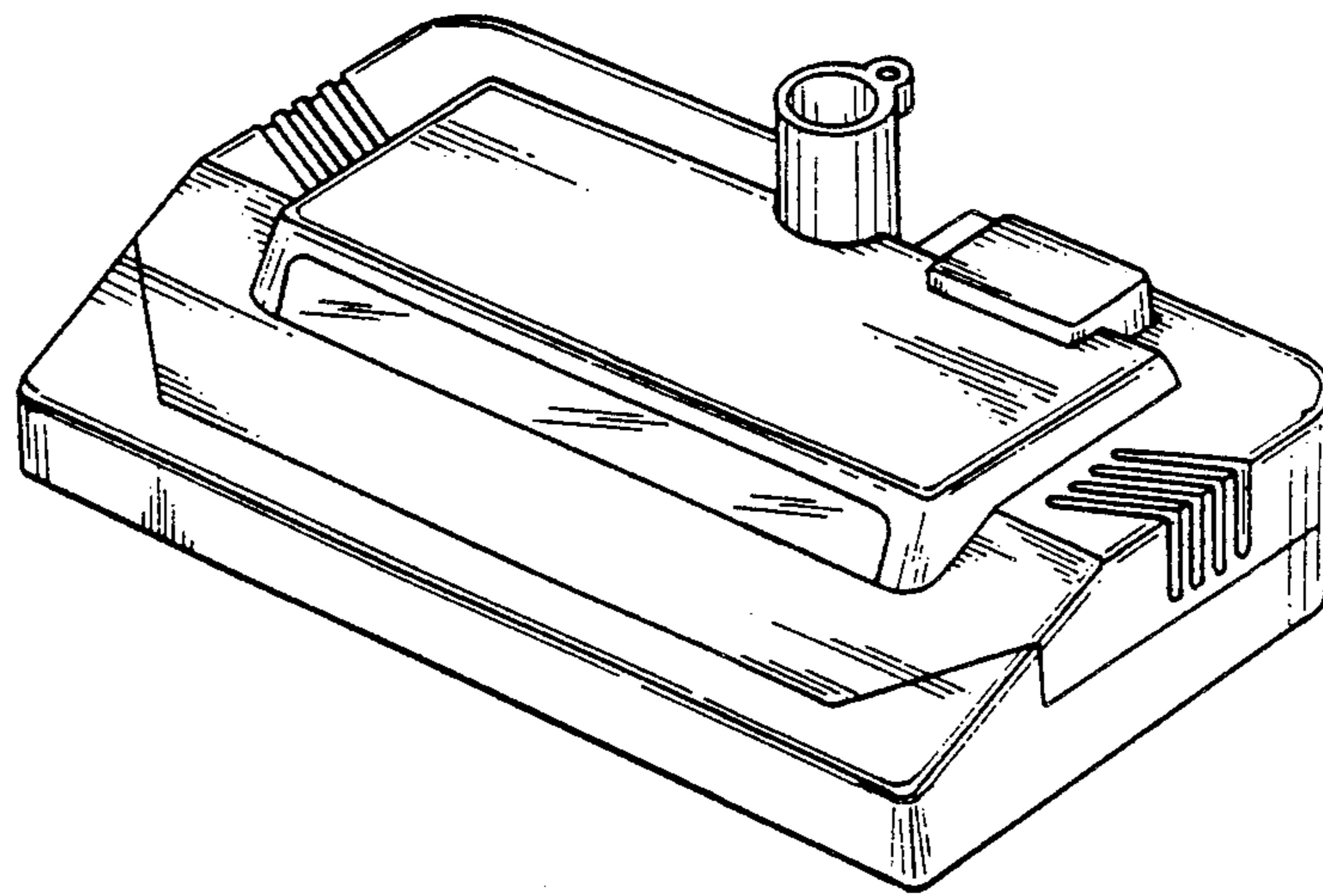


FIG. 1

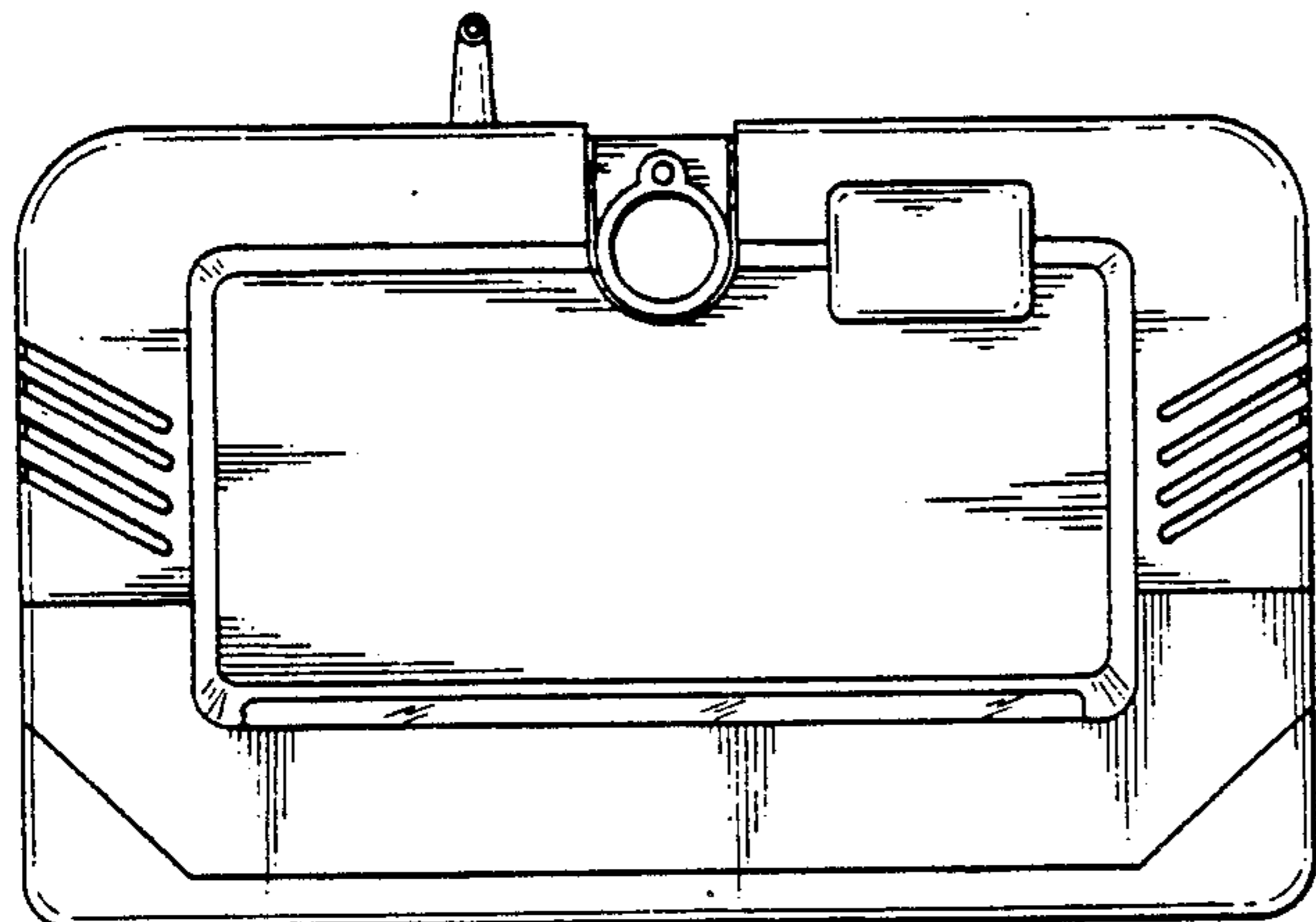


FIG. 2

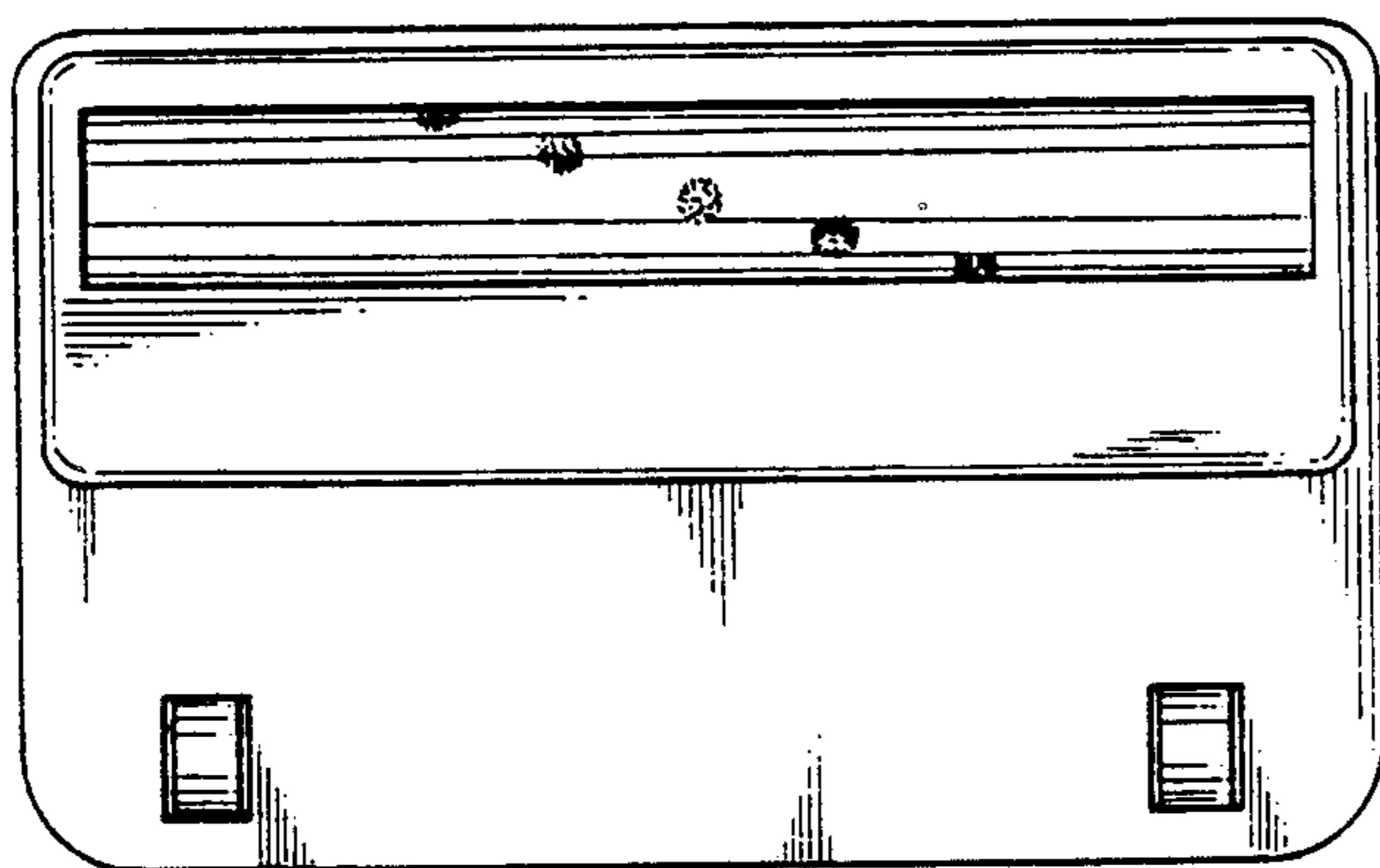


FIG. 3

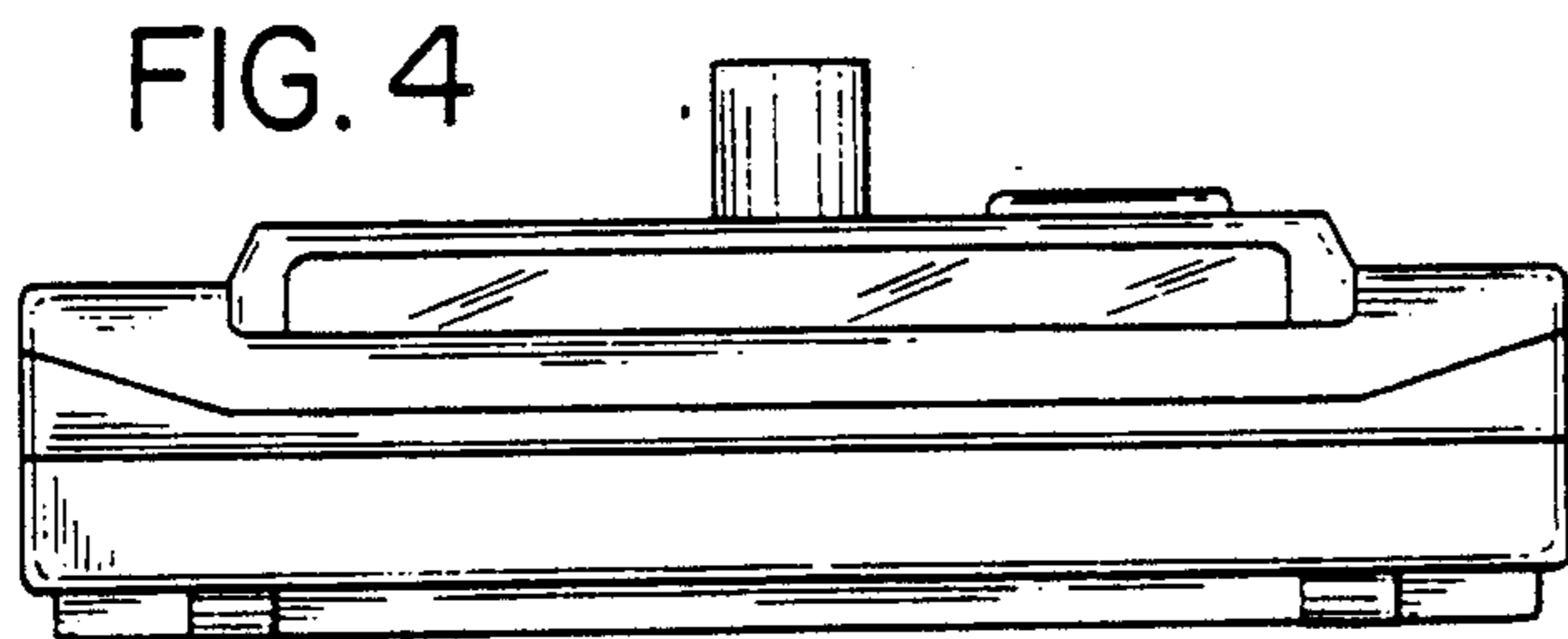


FIG. 4

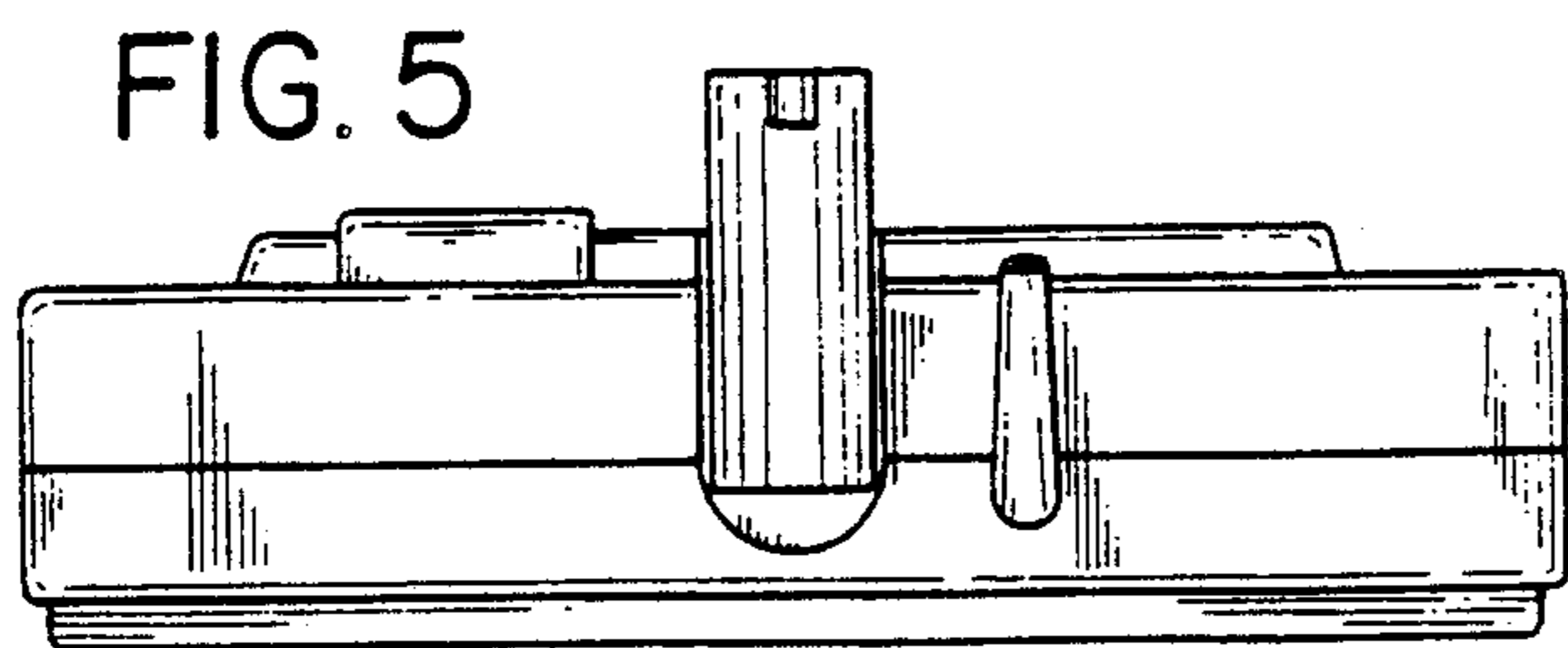


FIG. 5

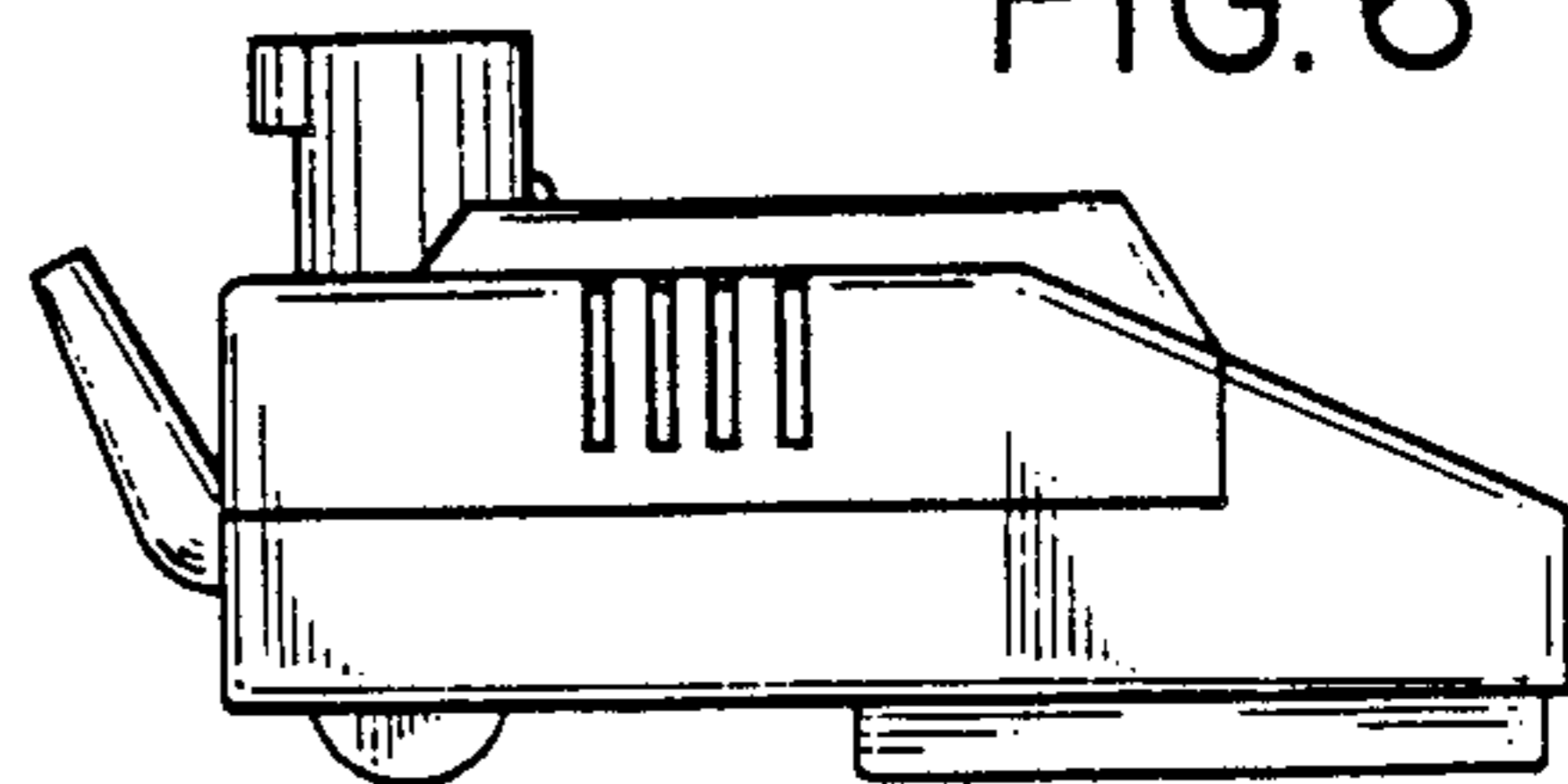


FIG. 6

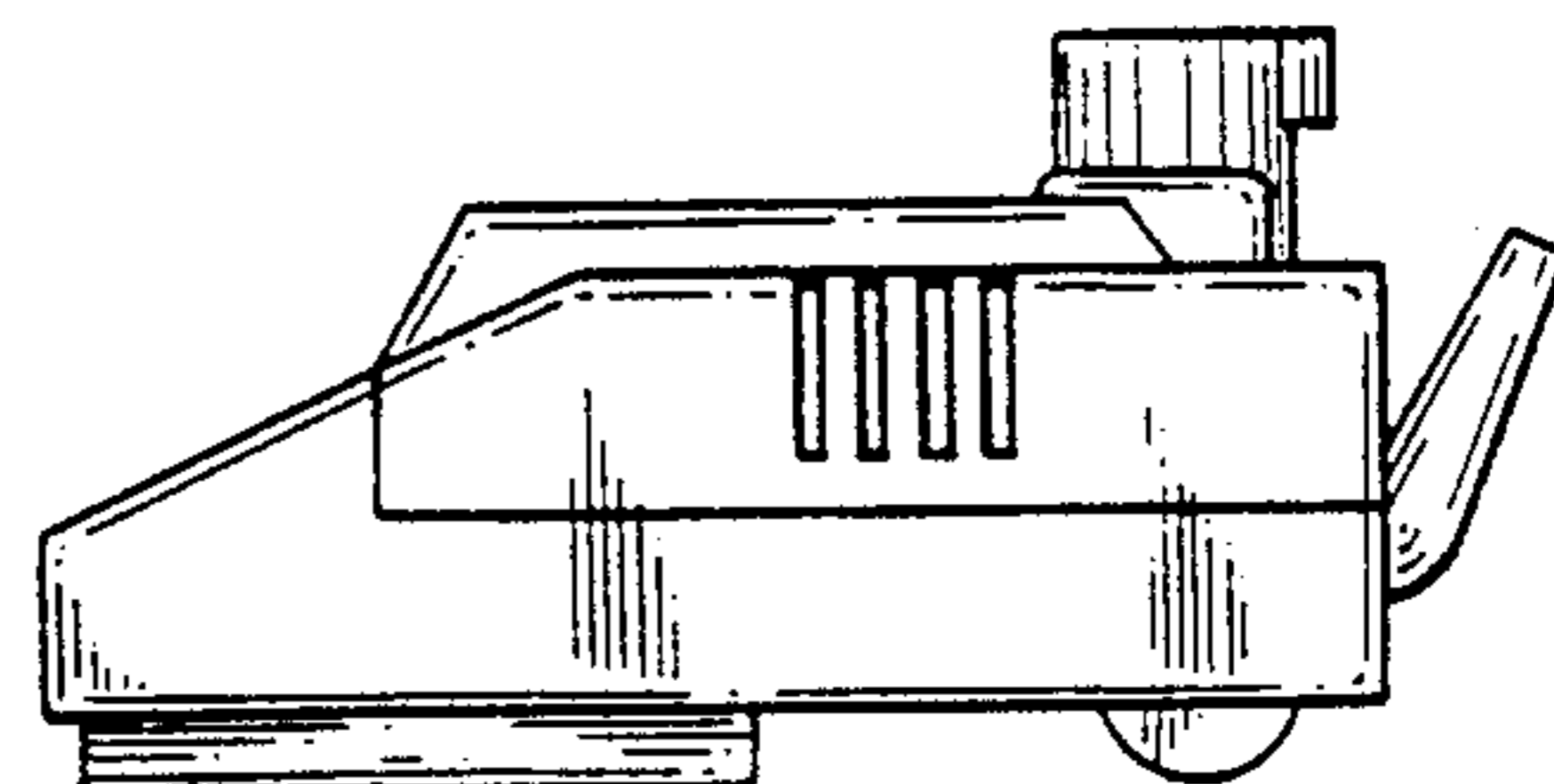


FIG. 7