

[54] AUTOMATIC WASHER AGITATOR OR THE LIKE

[75] Inventor: Dale E. Mueller, Benton Harbor, Mich.

[73] Assignee: Whirlpool Corporation, Benton Harbor, Mich.

[**] Term: 14 Years

[21] Appl. No.: 292,480

[22] Filed: Dec. 30, 1988

[52] U.S. Cl. D32/26

[58] Field of Search D32/26; 68/133, 134

[56] References Cited

U.S. PATENT DOCUMENTS

209,007	10/1967	Smith .	
209,008	10/1967	Smith .	
209,009	10/1967	Smith .	
3,285,040	11/1966	Bochan	68/134
4,048,820	9/1977	Pielemeier	68/134

4,155,228	5/1979	Burgener, Jr. et al.	68/133
4,164,130	8/1979	Hammer	68/133
4,170,882	10/1979	Brenner et al.	68/133
4,291,556	9/1981	Mason	68/133
4,555,919	12/1985	Brenner	68/134
4,693,095	9/1987	Burk	68/134
4,719,770	1/1988	Brenner et al.	68/134

Primary Examiner—A. Hugo Word
Assistant Examiner—Paula Allen
Attorney, Agent, or Firm—Stephen D. Krefman;
Thomas J. Roth; Thomas E. Turcotte

[57] CLAIM

The ornamental design for an automatic washer agitator or the like, as shown.

DESCRIPTION

FIG. 1 is a perspective view of an automatic washer agitator or the like showing my new design;
FIG. 2 is a top plan view thereof;
FIG. 3 is a side elevational view thereof;
FIG. 4 is a bottom plan view.

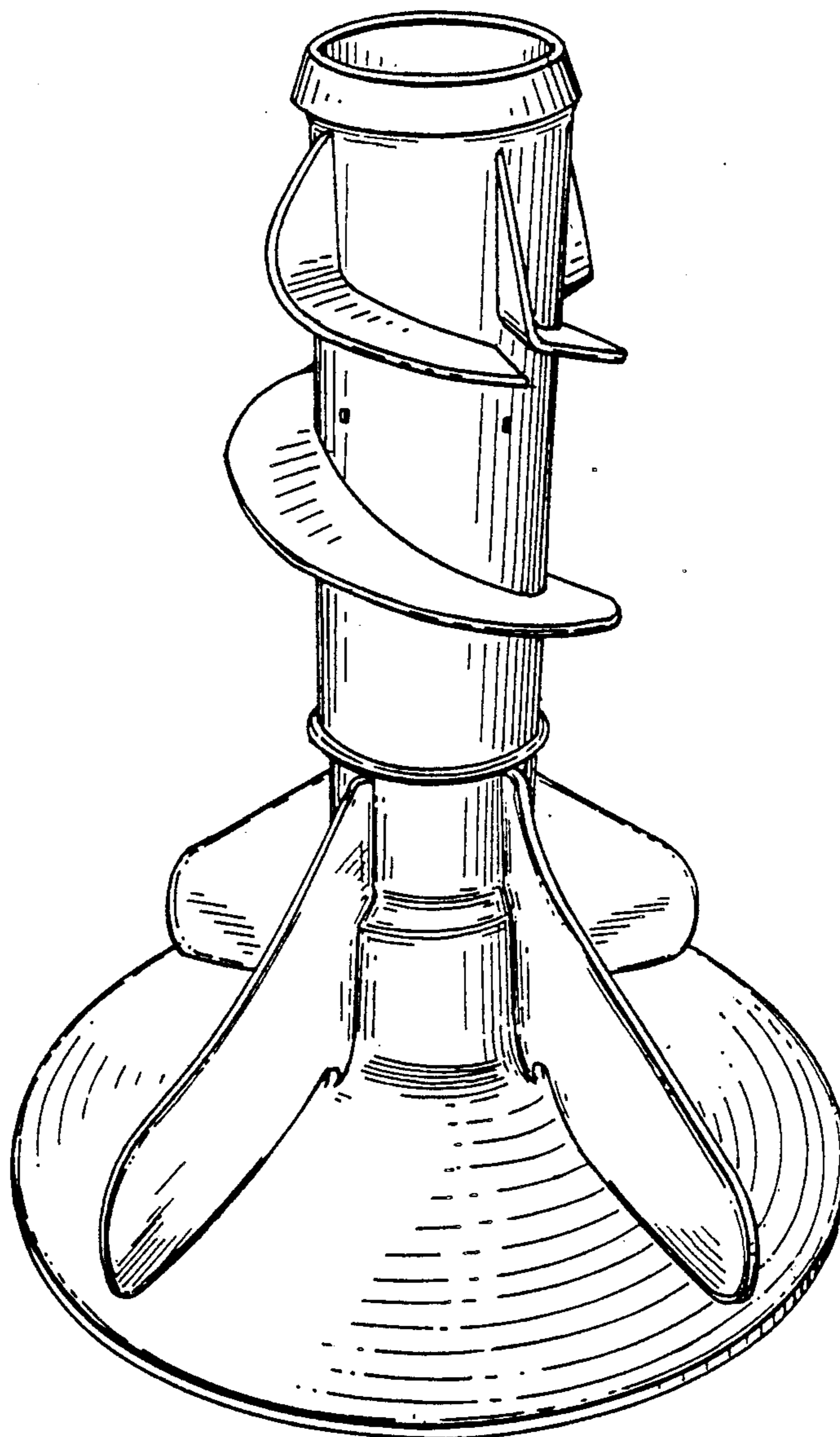


FIG. 1

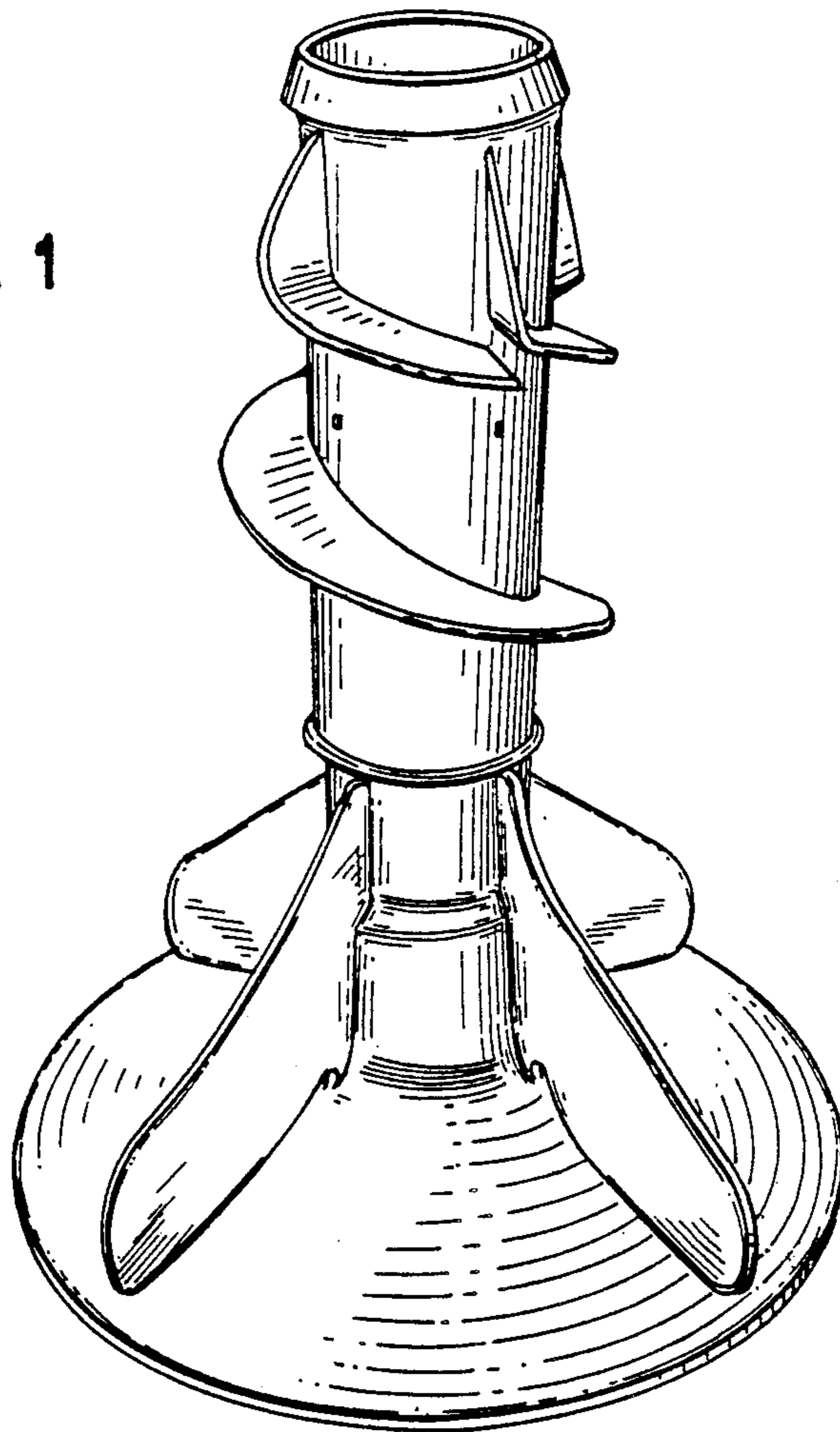


FIG. 2

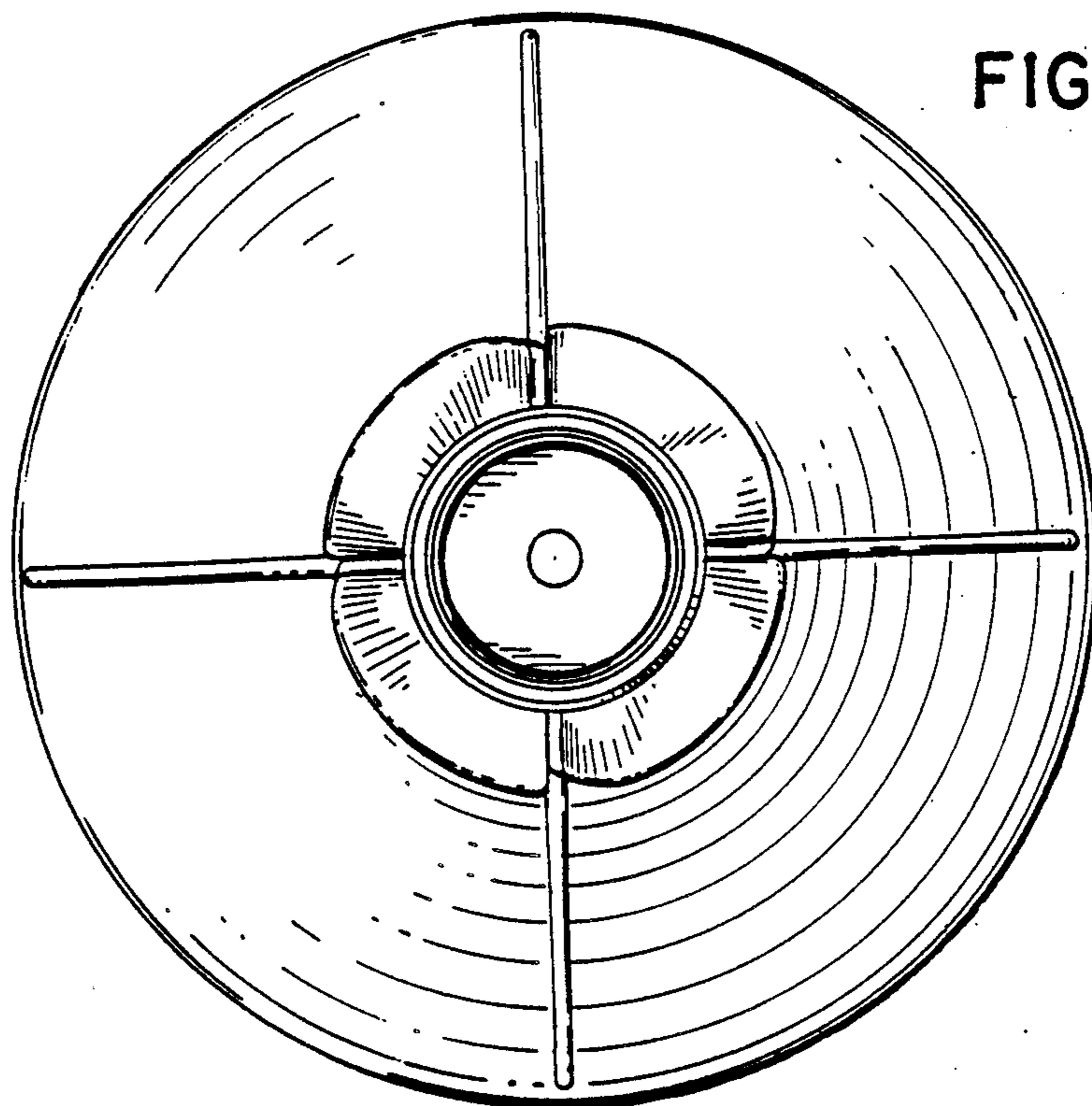


FIG. 3

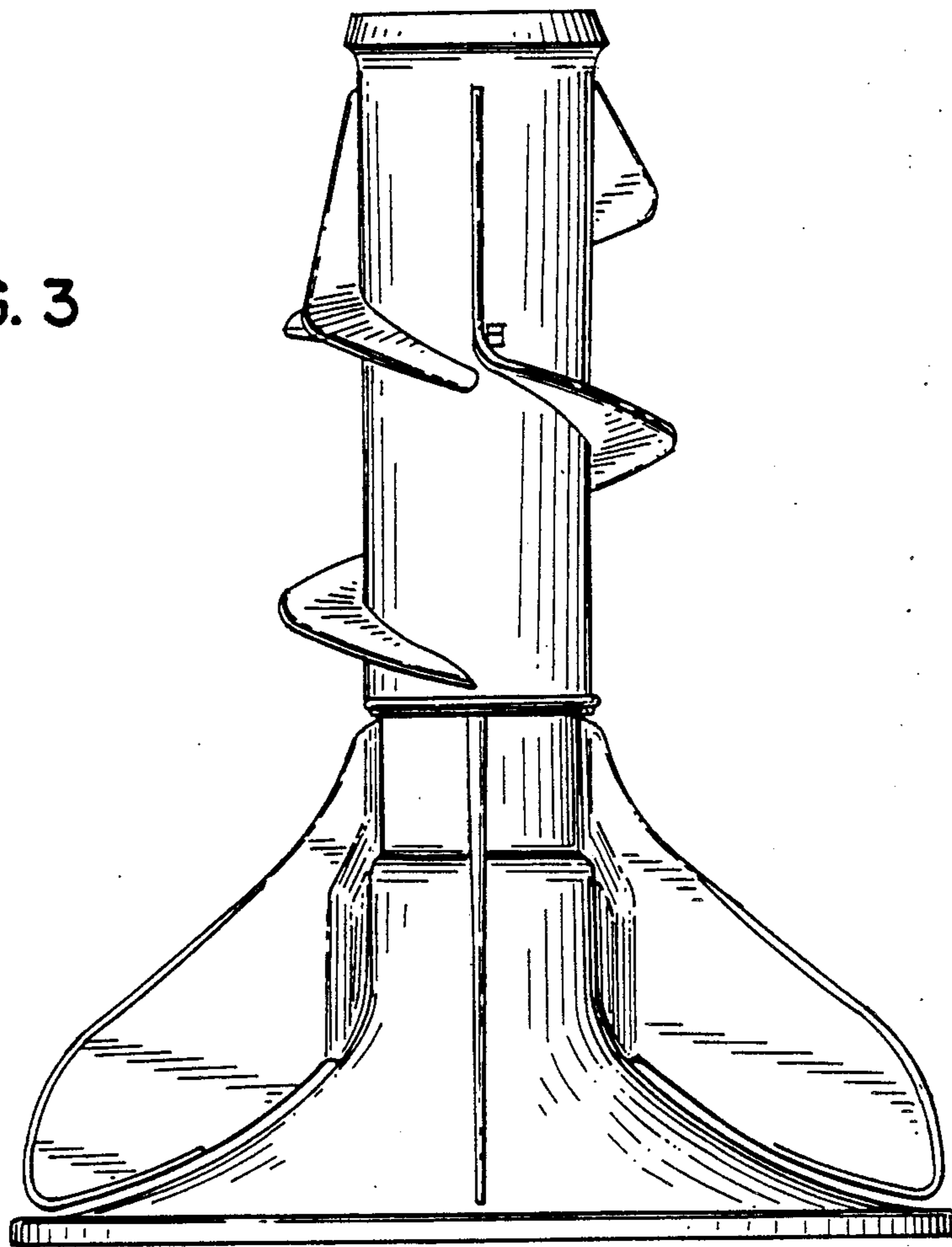


FIG. 4

