

[54] HEATED DRY RACK OR THE LIKE

4,677,764 7/1987 Cerny ..... 34/202

[75] Inventors: Gerald L. Kretchman, St. Joseph;  
James I. Czech, Stevensville, both of Mich.

[73] Assignee: Whirlpool Corporation, Benton Harbor, Mich.

[\*\*] Term: 14 Years

[21] Appl. No.: 292,570

[22] Filed: Dec. 30, 1988

[52] U.S. Cl. .... D32/25

[58] Field of Search ..... D32/1, 25, 3, 55, 56;  
312/311; D34/40; 15/353; 211/126, 41; 34/68,  
103, 104, 133, 194, 195, 197, 202, 204, 237, 238

[56] References Cited

U.S. PATENT DOCUMENTS

2,617,203	11/1952	Murray	34/82
3,316,659	5/1967	Lauck	34/133
3,344,532	10/1967	Bigler	34/133
3,675,815	7/1972	Rehrig	211/126
4,091,548	5/1978	Daily	34/202

OTHER PUBLICATIONS

Whirlpool Advertising Literature: "Drying Rack LE5800XK/LG5801XK, Drying Rack for Super Capacity Dryers", p. 13.

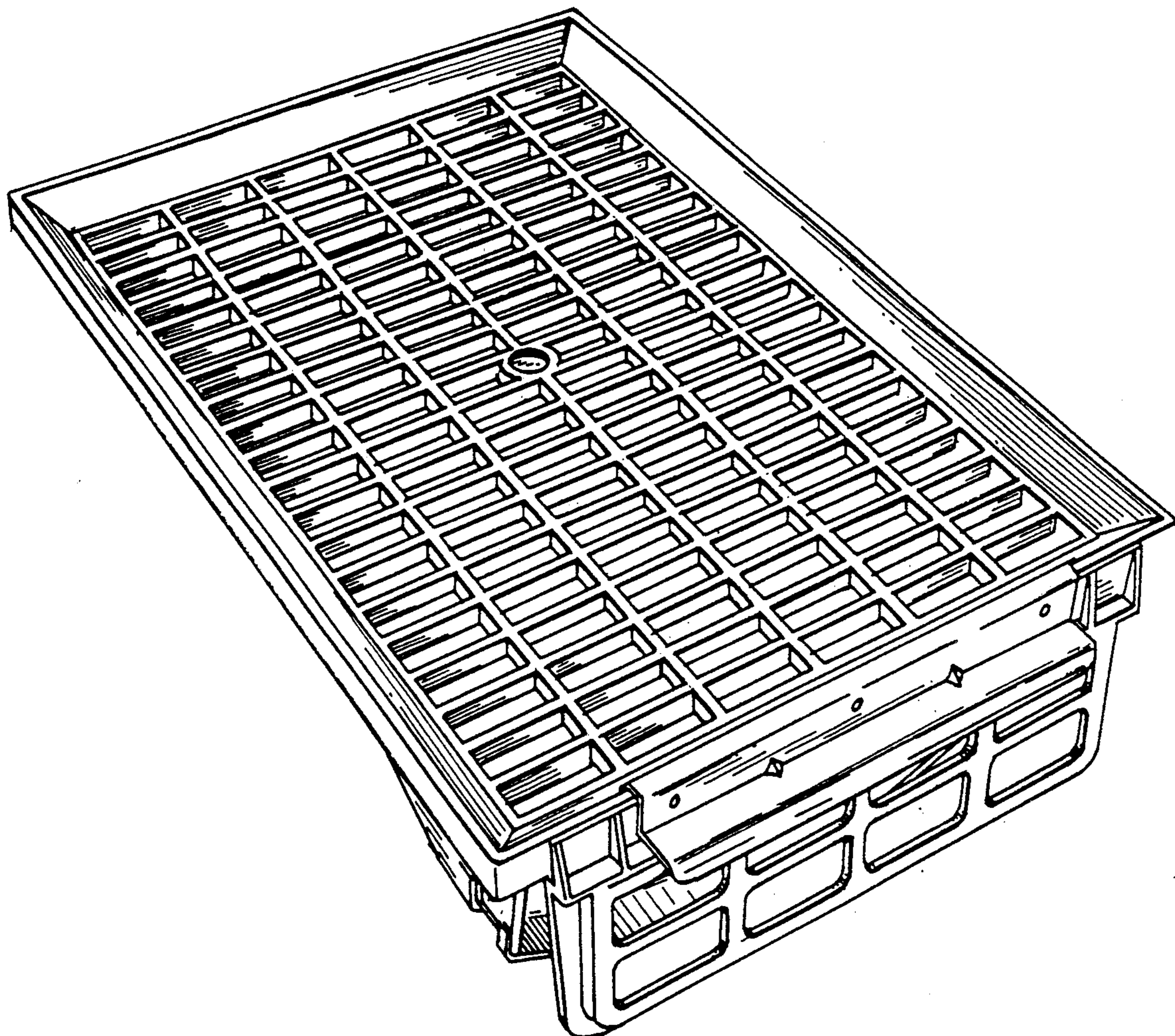
Primary Examiner—A. Hugo Word  
Assistant Examiner—Paula Allen  
Attorney, Agent, or Firm—Stephen D. Krefman;  
Thomas J. Roth; Thomas E. Turcotte

[57] CLAIM

The ornamental design for a heated dry rack or the like, as shown.

DESCRIPTION

FIG. 1 is a perspective view of a heated dry rack showing our new design;  
FIG. 2 is a front elevational view thereof;  
FIG. 3 is a rear elevational view thereof;  
FIG. 4 is a top plan view thereof;  
FIG. 5 is a side elevational view of the dry rack of FIG. 1;  
FIG. 6 is a bottom plan view.



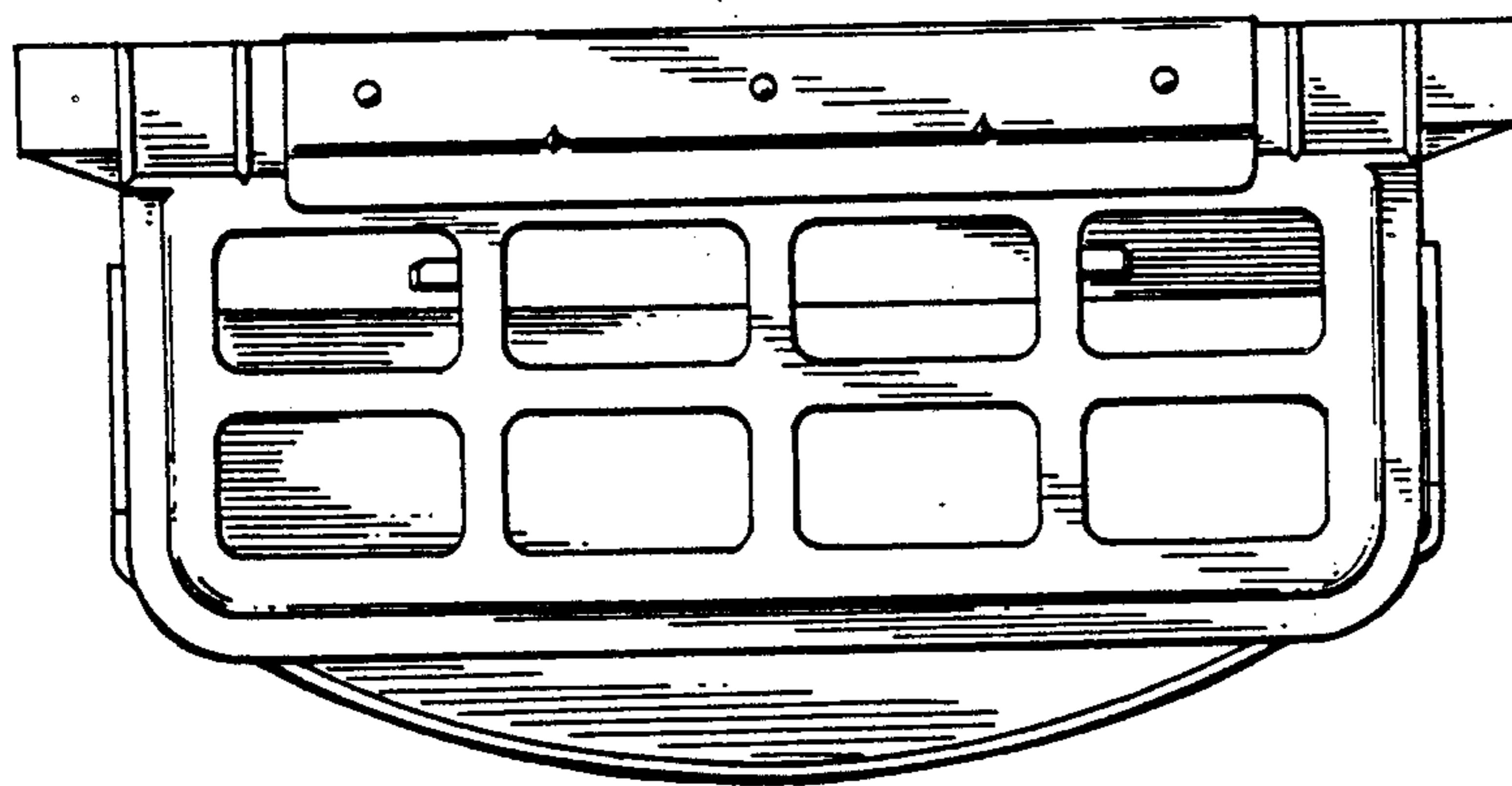
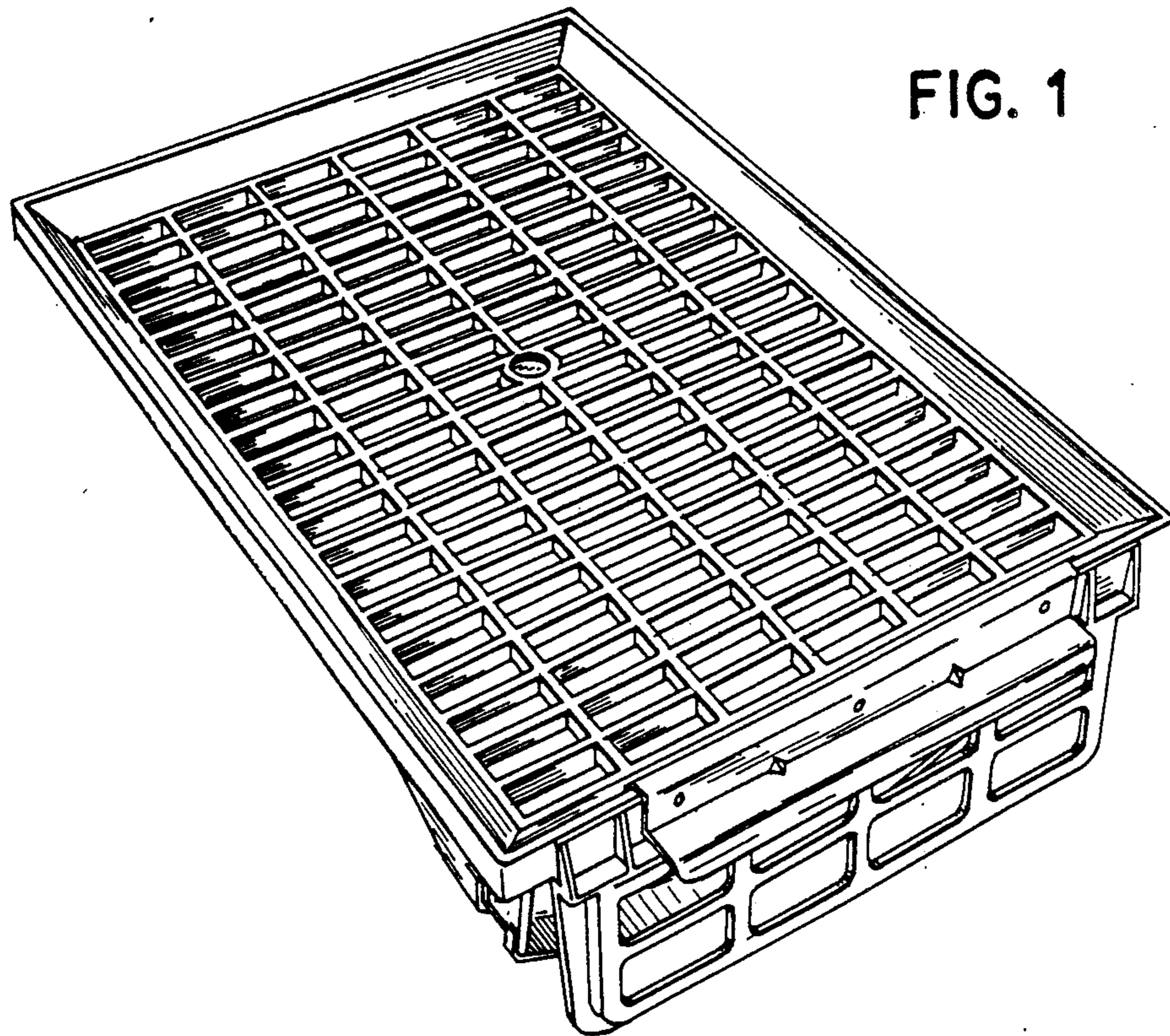
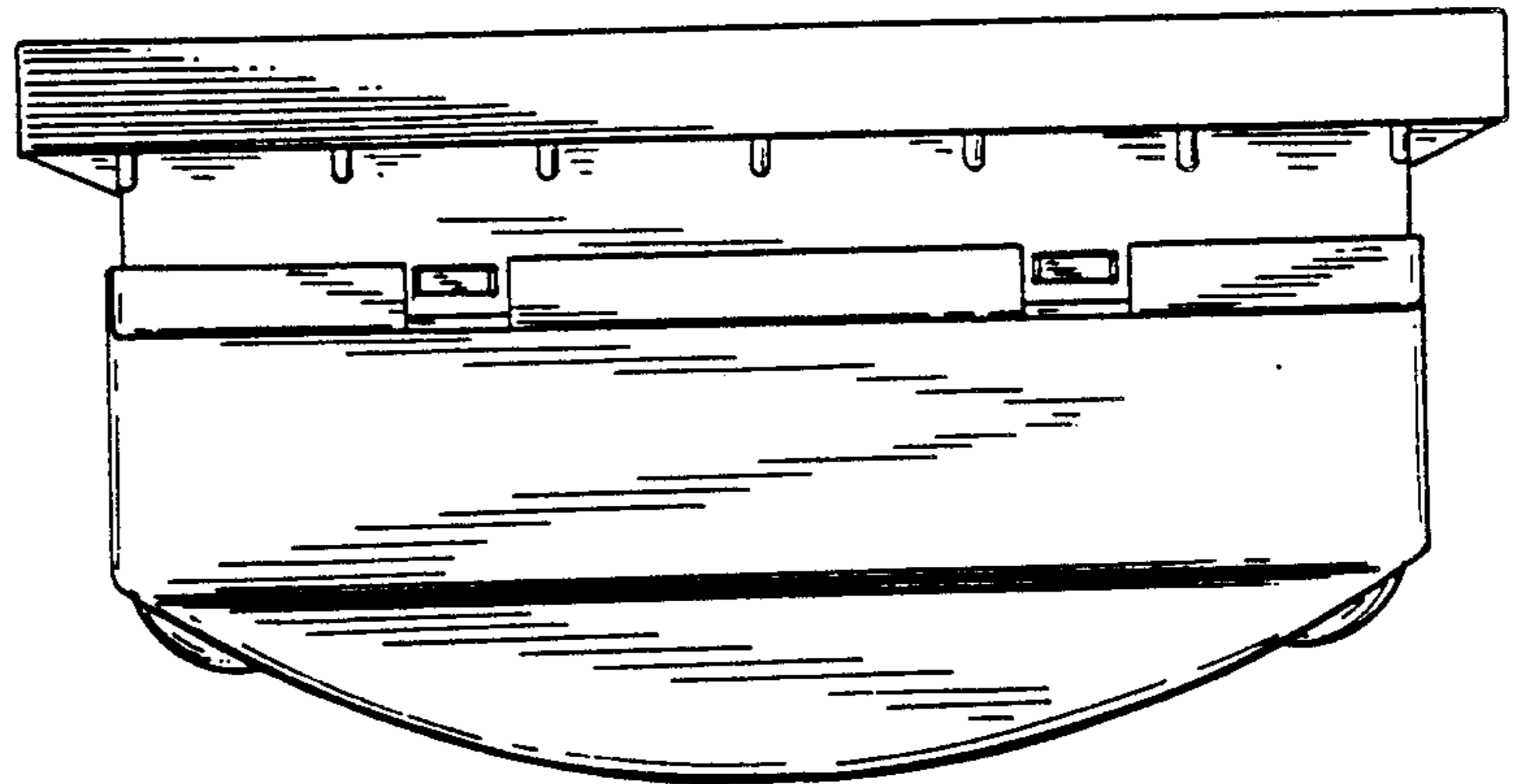


FIG. 3



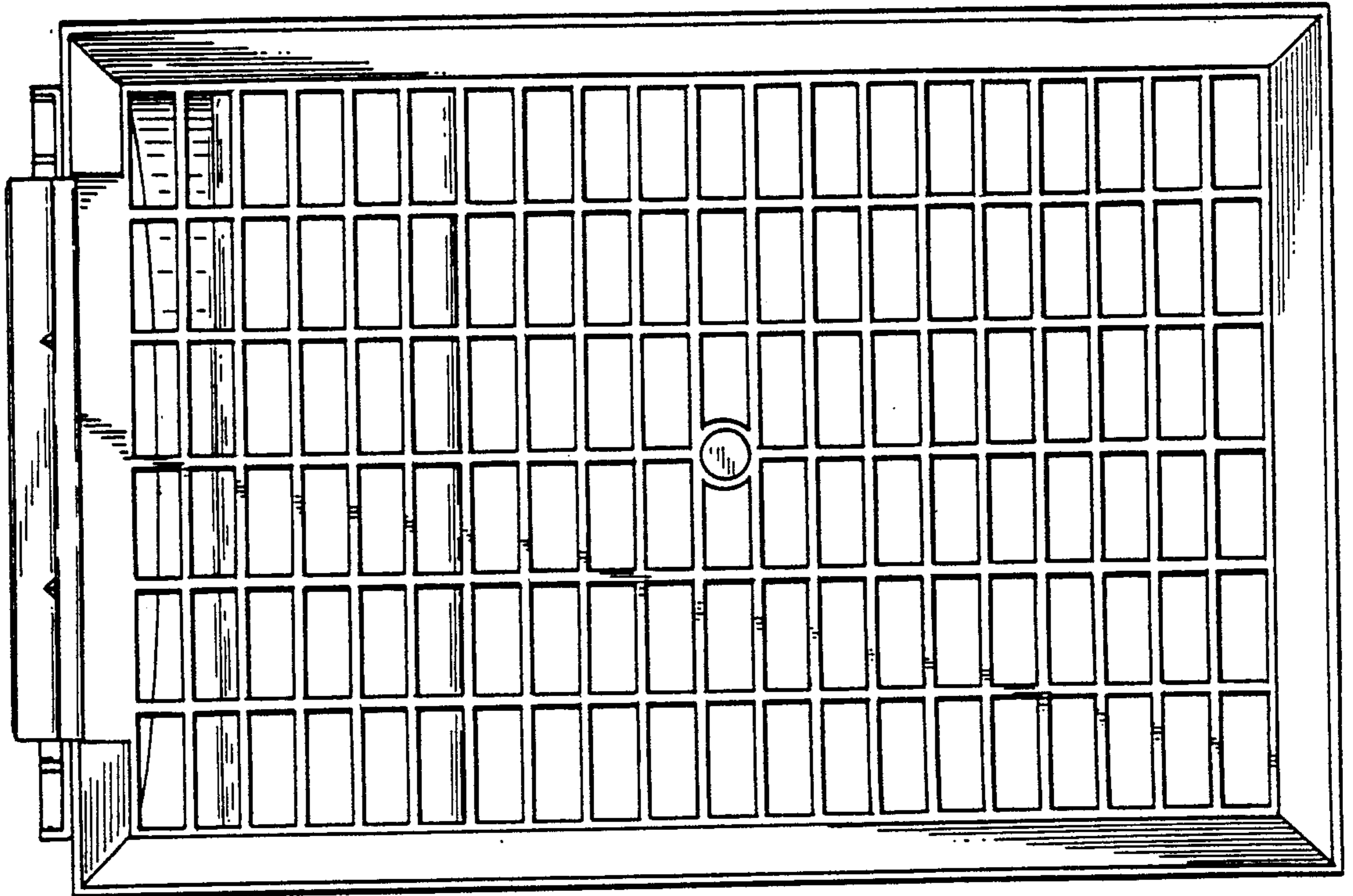


FIG. 4

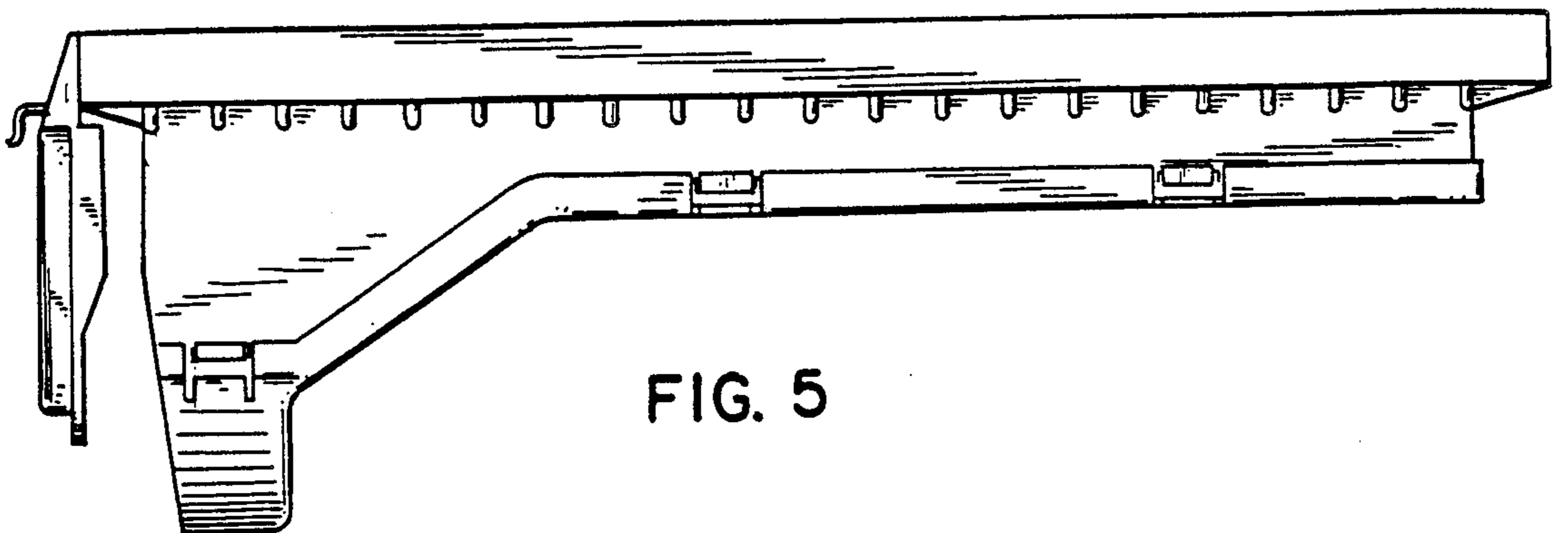


FIG. 5

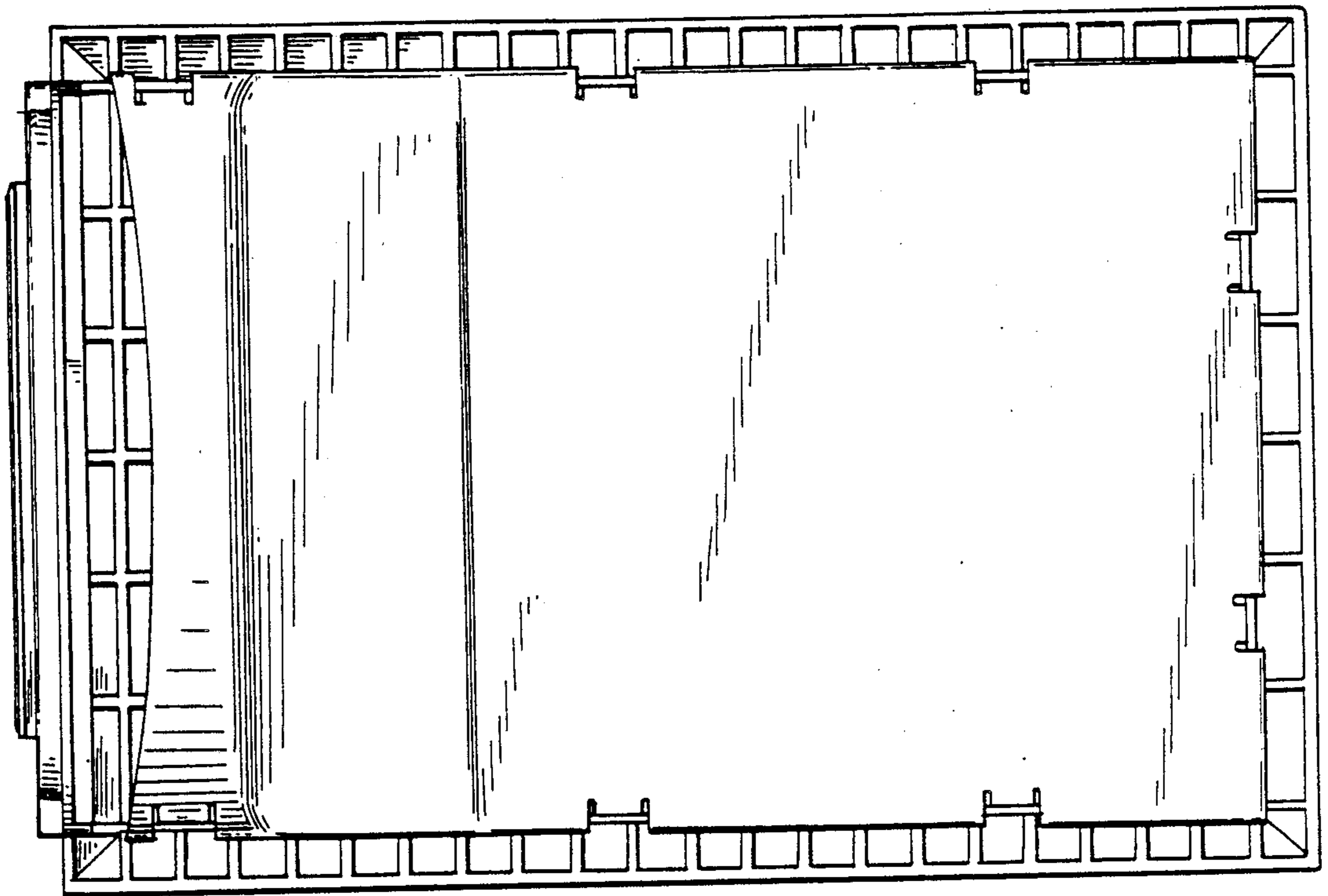


FIG. 6