

[54] VACUUM CLEANER

[75] Inventor: Soon I. Lee, Seoul, Rep. of Korea

[73] Assignee: Gold Star Co., Ltd., Seoul, Rep. of Korea

[\*\*] Term: 14 Years

[21] Appl. No.: 355,311

[22] Filed: May 22, 1989

[30] Foreign Application Priority Data

Nov. 26, 1988 [KR] Rep. of Korea ..... 88-15908

[52] U.S. Cl. .... D32/22

[58] Field of Search ..... D32/21-22,  
D32/31, 34; 15/347, 349-352, 354, 362, 410,  
412, 413

[56] References Cited

U.S. PATENT DOCUMENTS

D. 275,428 9/1984 Wareham ..... D32/22

D. 293,727 1/1988 Wareham et al. .... D32/22  
D. 293,728 1/1988 Ohhira et al. .... D32/22  
D. 299,176 12/1988 Bowerman et al. .... D32/22  
3,938,216 2/1976 Schmitz et al. .... D32/22

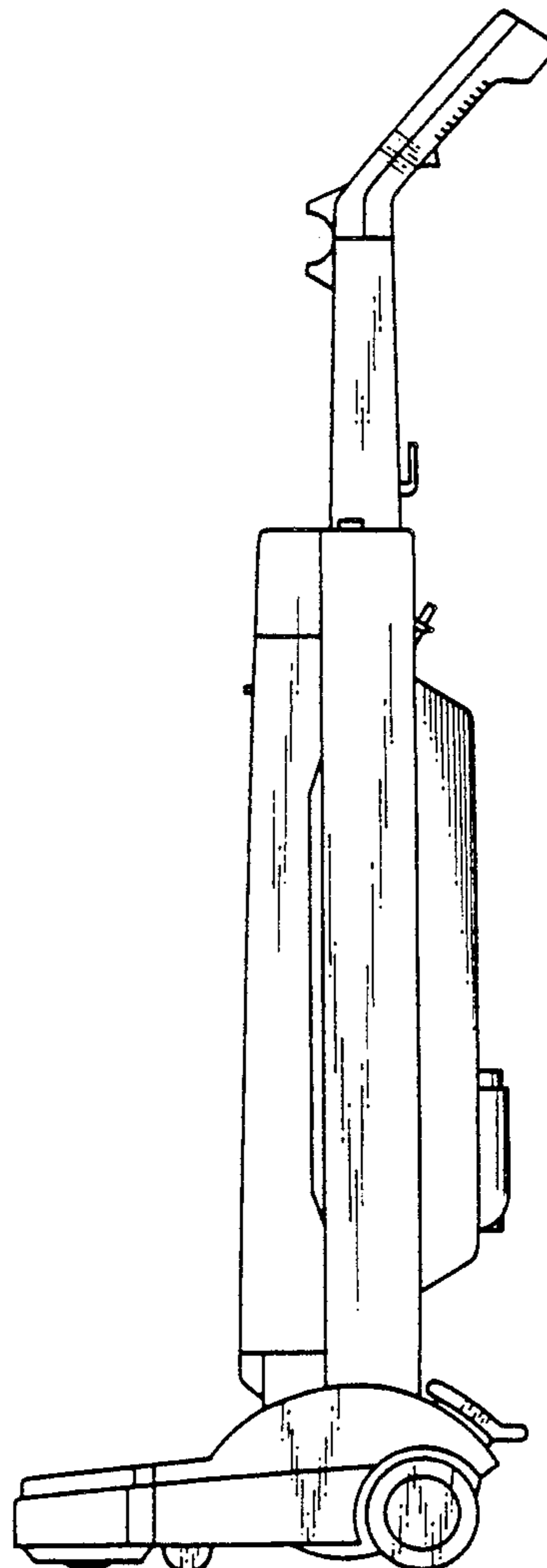
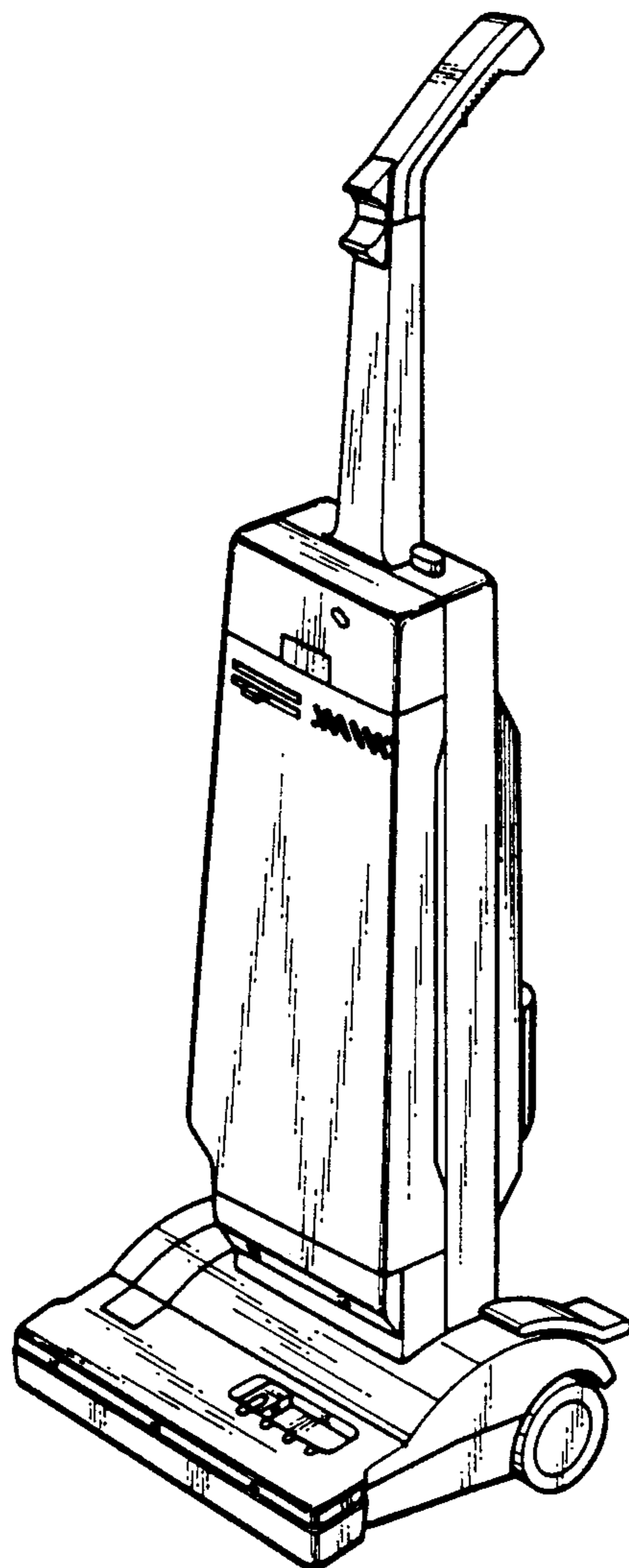
Primary Examiner—A. Hugo Word  
Assistant Examiner—Ruth McInroy  
Attorney, Agent, or Firm—Birch, Stewart, Kolasch & Birch

[57] CLAIM

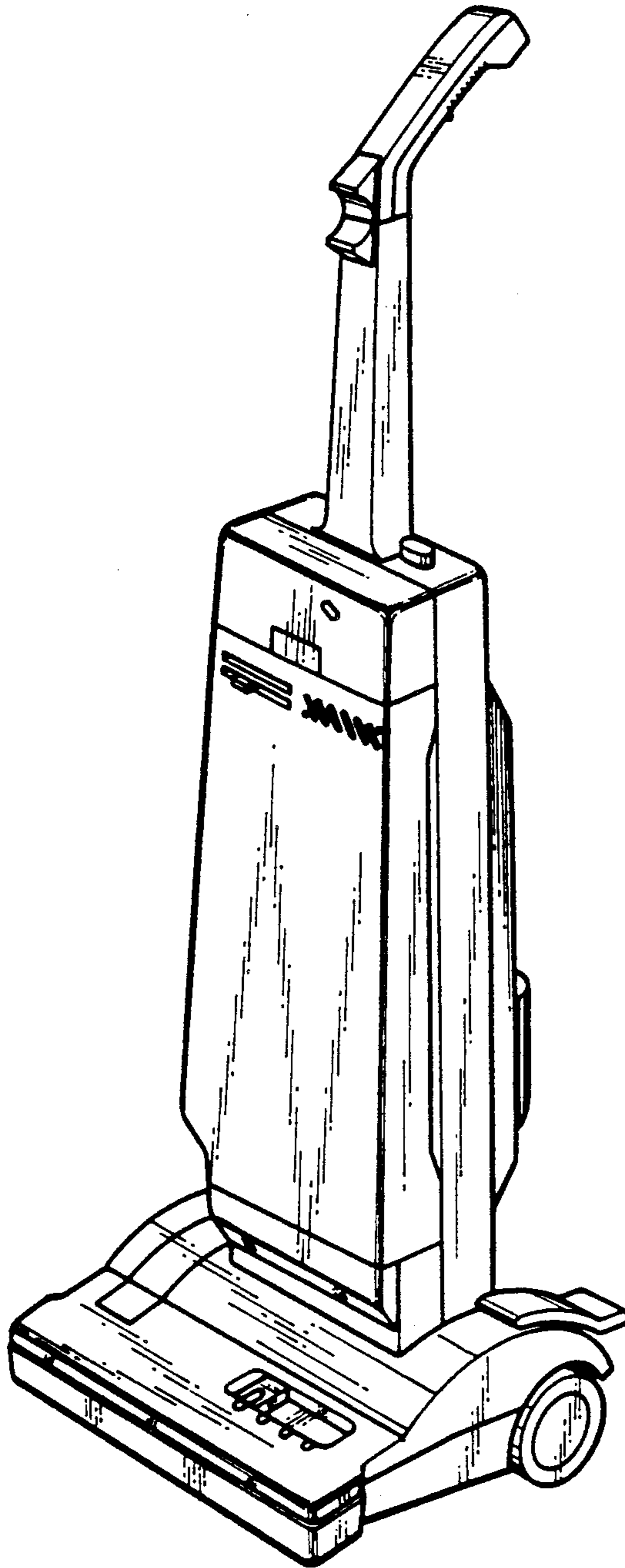
The ornamental design for a vacuum cleaner, as shown.

DESCRIPTION

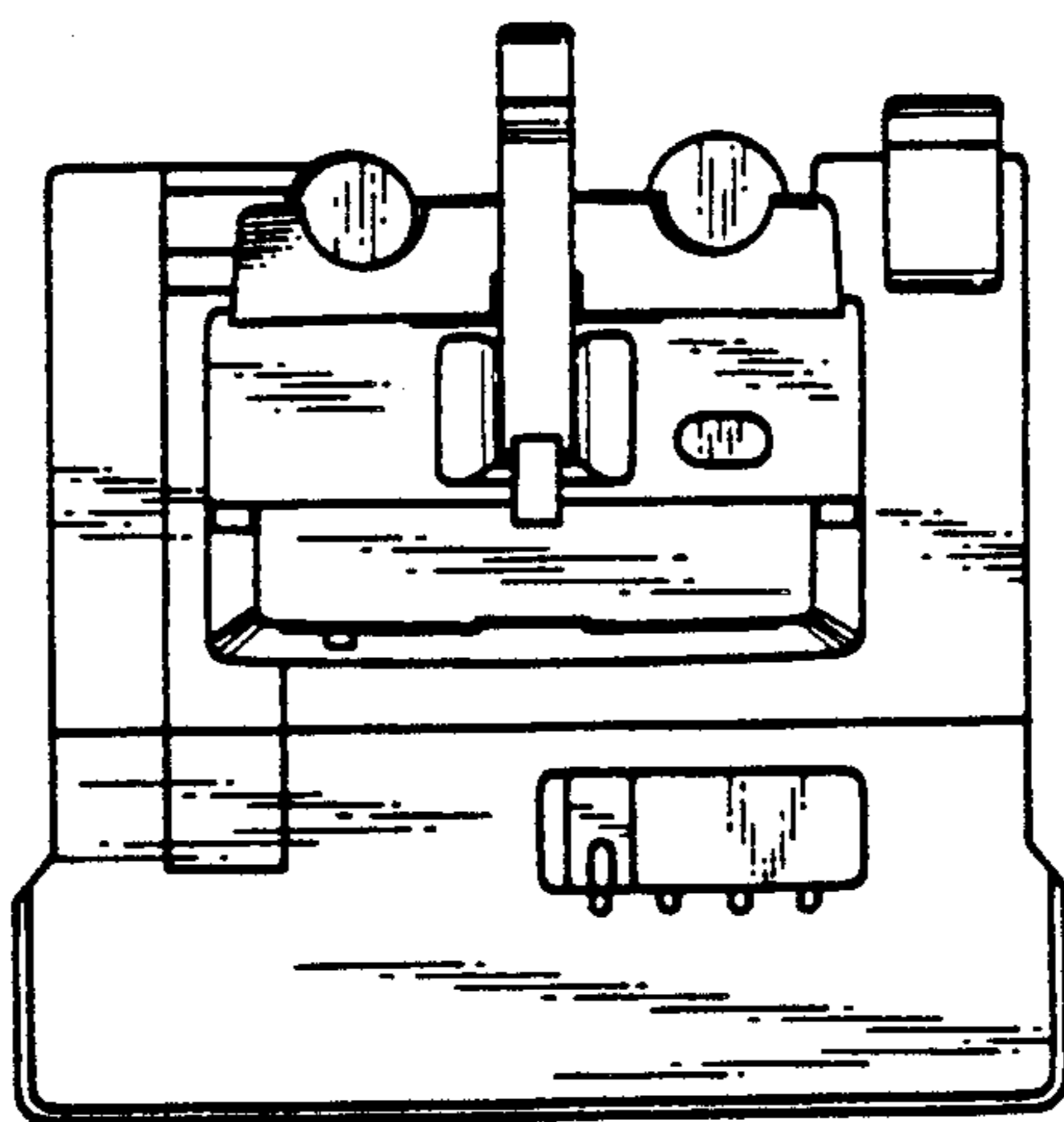
FIG. 1 is a front perspective view of a vacuum cleaner showing my new design;  
FIG. 2 is a top plan view thereof;  
FIG. 3 is a bottom plan view thereof;  
FIG. 4 is a front elevational view thereof;  
FIG. 5 is a rear elevational view thereof;  
FIG. 6 is a right side elevational view thereof; and  
FIG. 7 is a left side elevational view thereof.



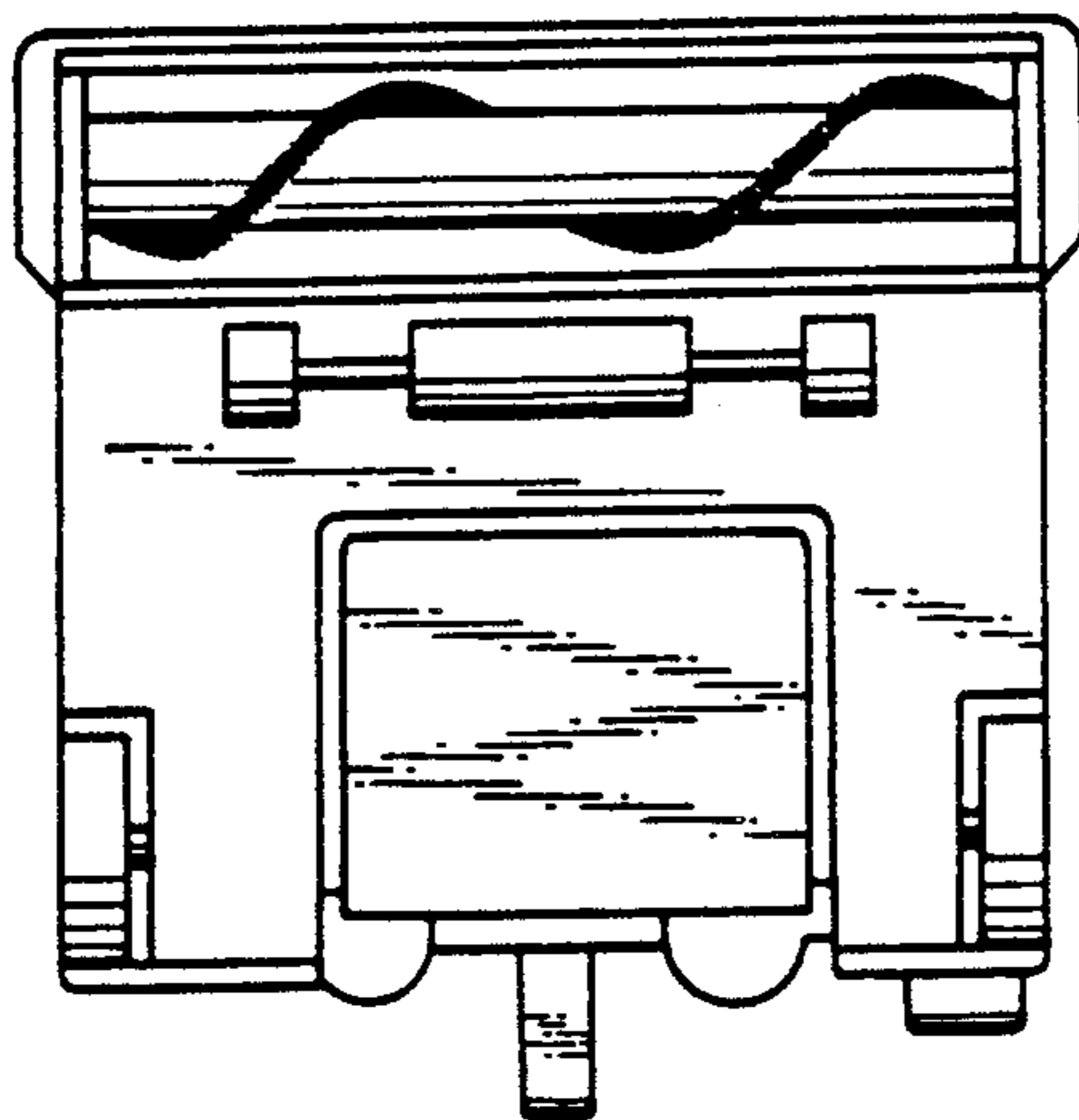
F I G . 1



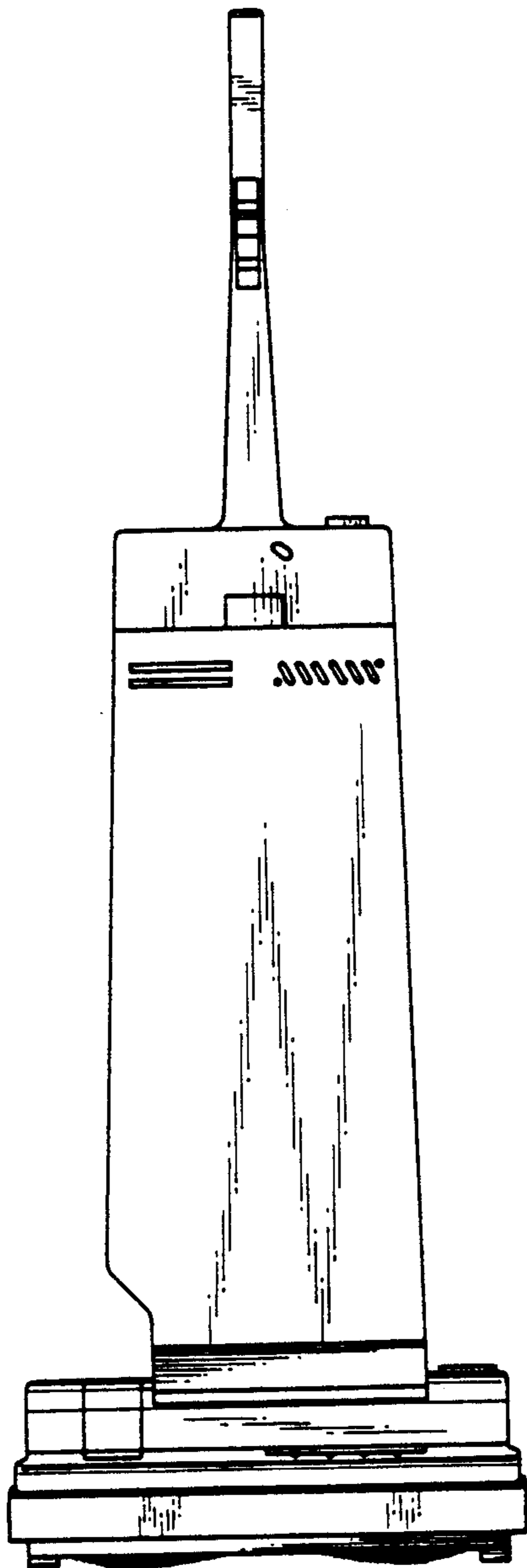
F I G . 2



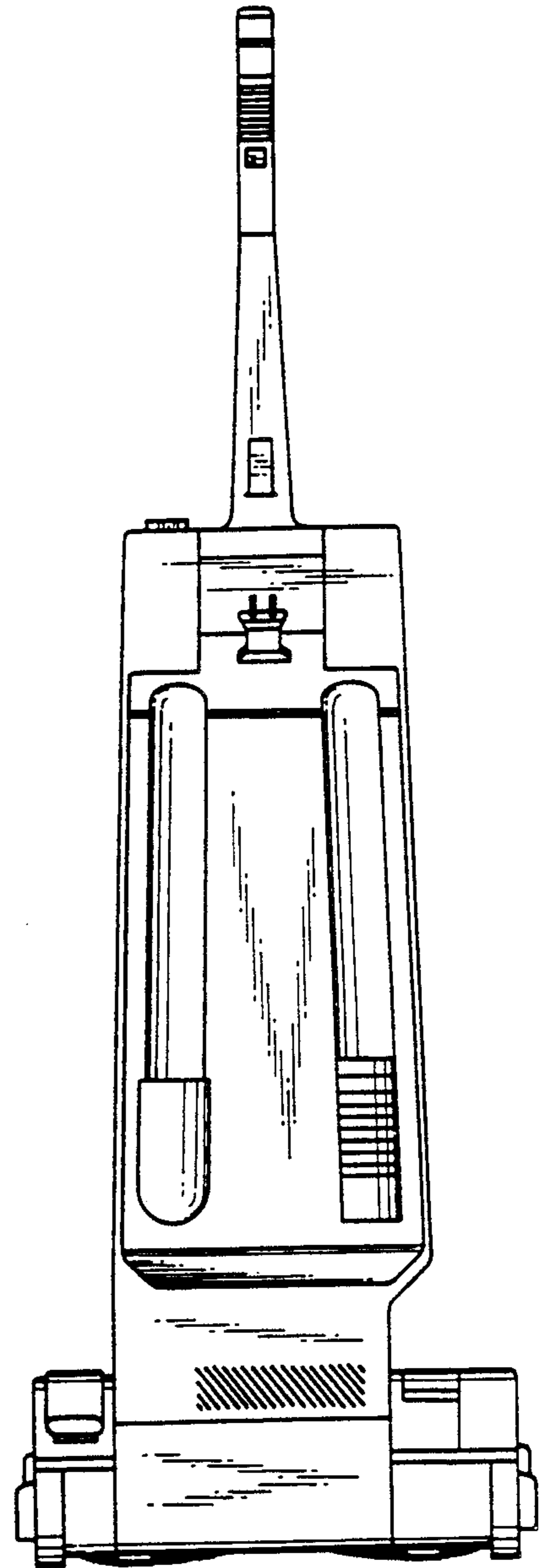
F I G . 3



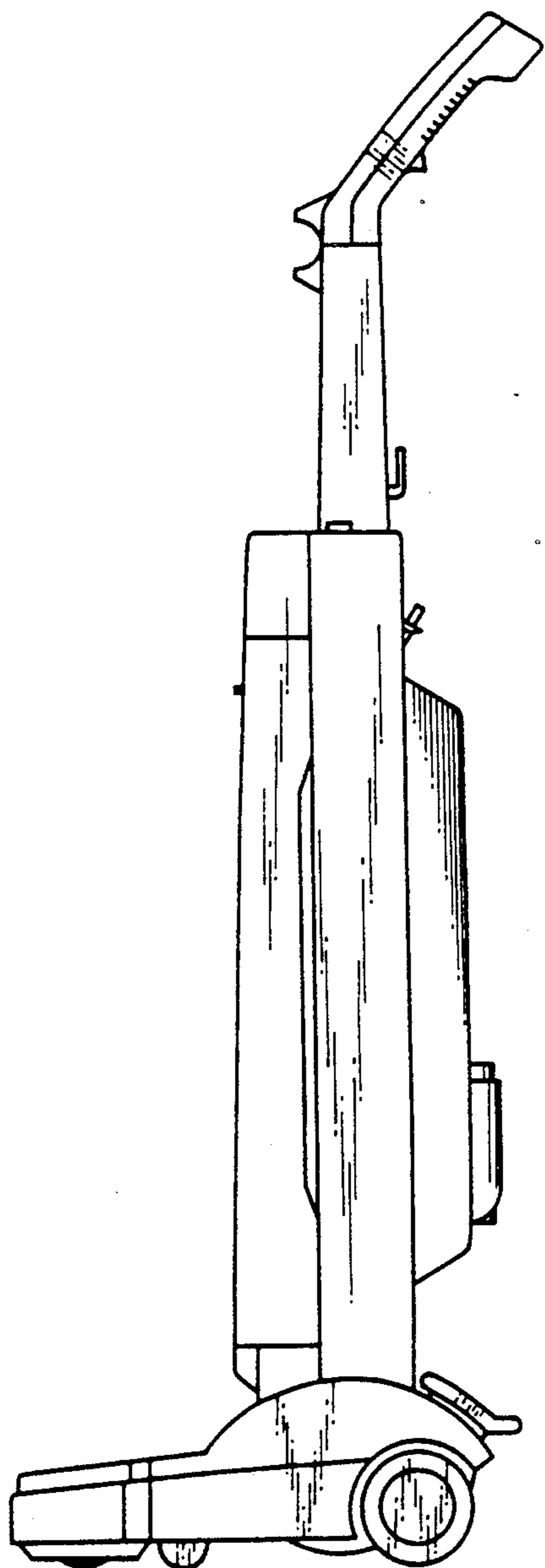
F I G . 4



F I G . 5



F I G . 6



F I G . 7

