

United States Patent [19]

Campbell, Sr. et al.

[11] Patent Number: Des. 314,258

[45] Date of Patent: ** Jan. 29, 1991

[54] POWER WASHER

[75] Inventors: Glenn M. Campbell, Sr.; Glenn M. Campbell, Jr., both of Plymouth; H. David Dalquist, III, Minnetonka; Douglas J. Kluge, Golden Valley; John N. Taylor, St. Louis Park, all of Minn.

[73] Assignee: Northland Aluminum Products, Inc., Minneapolis, Minn.

[**] Term: 14 Years

[21] Appl. No.: 354,937

[22] Filed: May 22, 1989

[52] U.S. Cl. D32/17

[58] Field of Search D32/1, 15, 17, 25, 30; D23/383, 223-226; 239/310, 380, 394

[56] References Cited

U.S. PATENT DOCUMENTS

D. 132,289 5/1942 Thompson D23/225
D. 270,368 8/1983 Grime D23/225
D. 295,777 5/1988 Steele D23/223

D. 297,350 8/1988 Kille D23/226 X
1,763,236 6/1930 Hahn, Jr. 239/310 X
2,293,390 8/1942 Hengesbach 239/310 X
2,589,595 3/1952 Aske 239/310 X
3,361,300 7/1966 Kaplan 239/310 X
4,541,568 9/1985 Lichfield D23/226 X

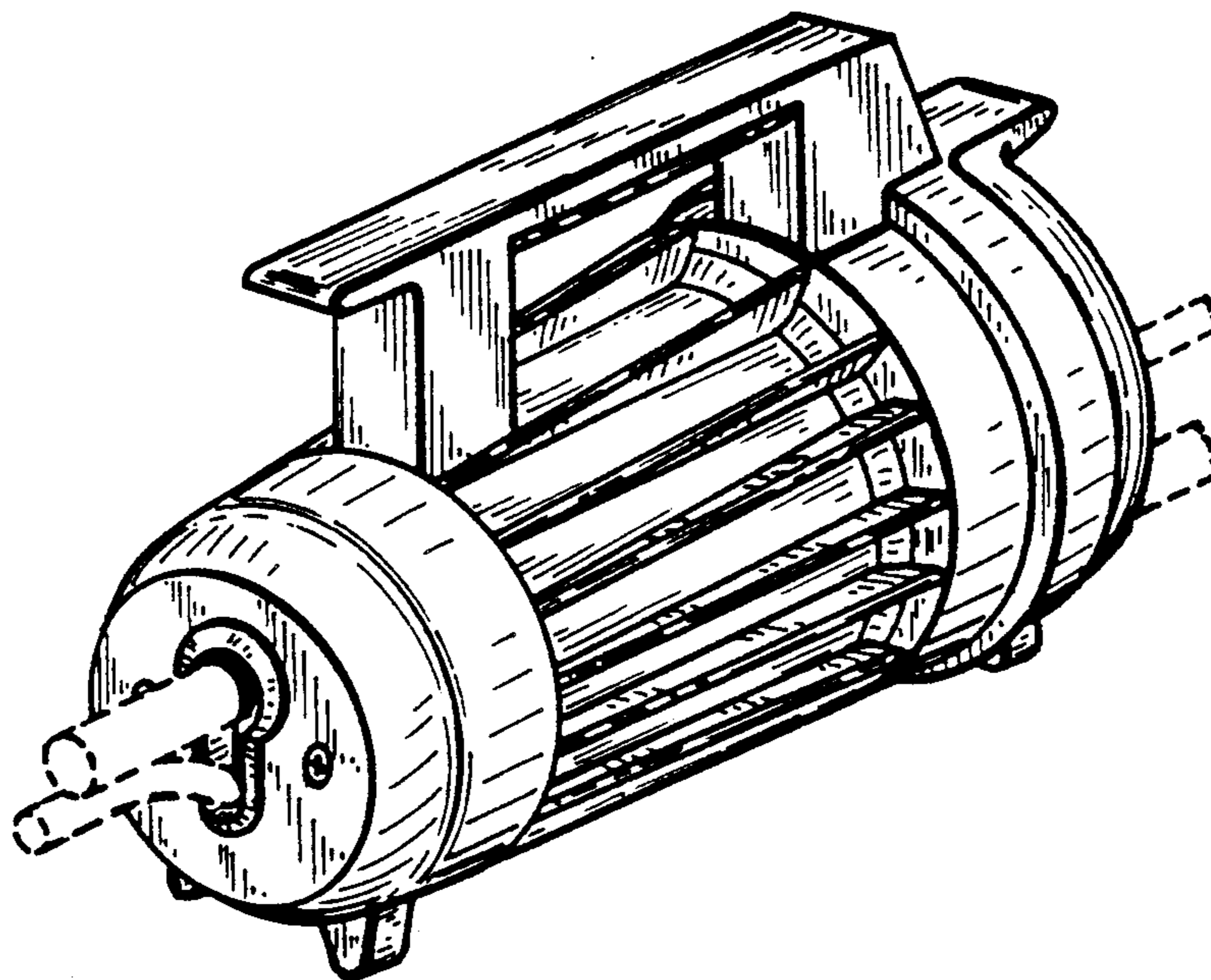
Primary Examiner—Louis S. Zarfes
Assistant Examiner—Paula Allen
Attorney, Agent, or Firm—Haugen and Nikolai

[57] CLAIM

The ornamental design for a power washer, as shown and described.

DESCRIPTION

FIG. 1 is a perspective view of a power washer showing our new design;
FIG. 2 is a side elevation thereof;
FIG. 3 is a top plan view thereof;
FIG. 4 is a bottom plan view thereof;
FIG. 5 is front elevation thereof; and
FIG. 6 is a rear elevation thereof.
The broken line showing of the hose connections in FIG. 1-4 is for illustrative purposes only and forms no part of the claimed design.



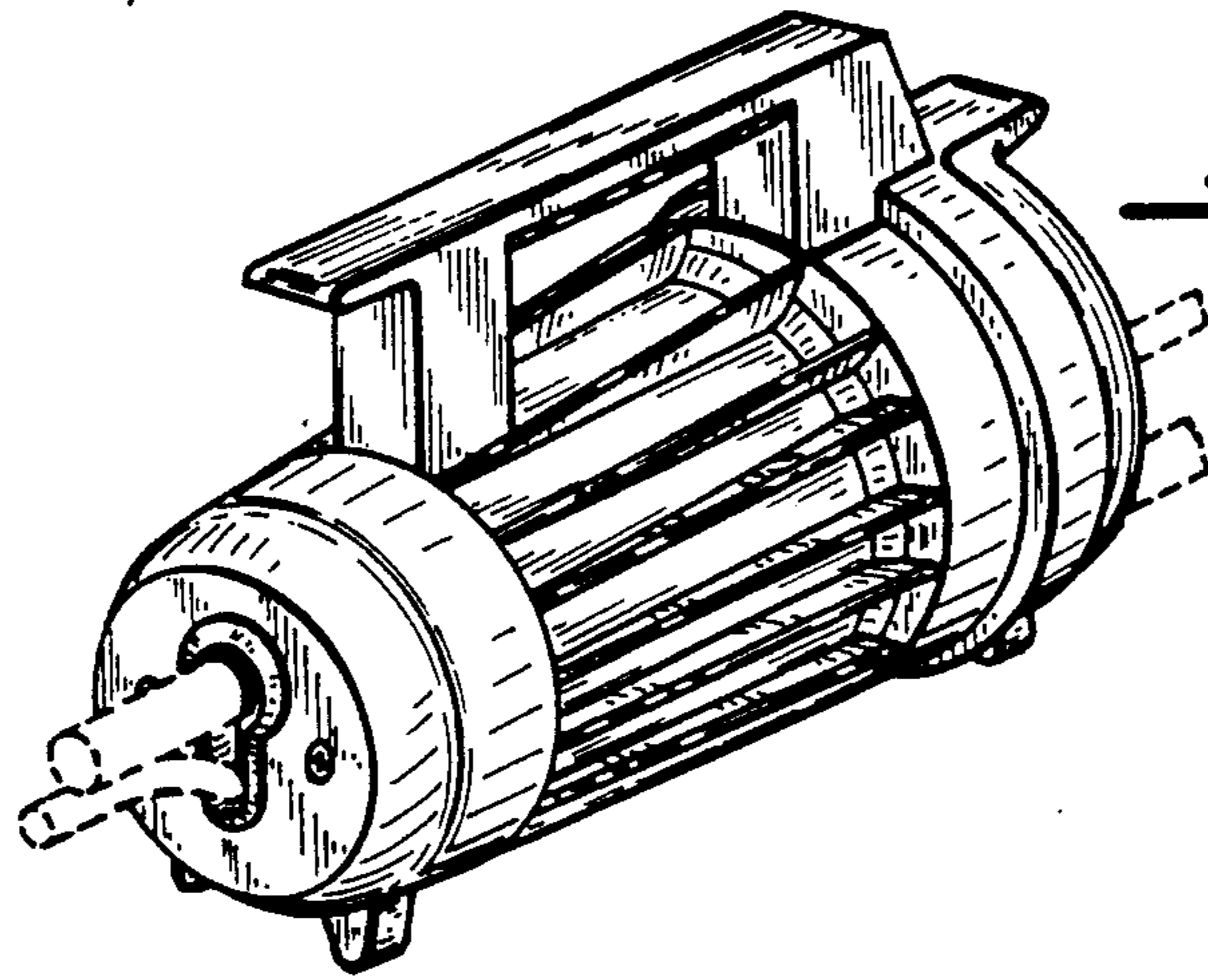


Fig. 1

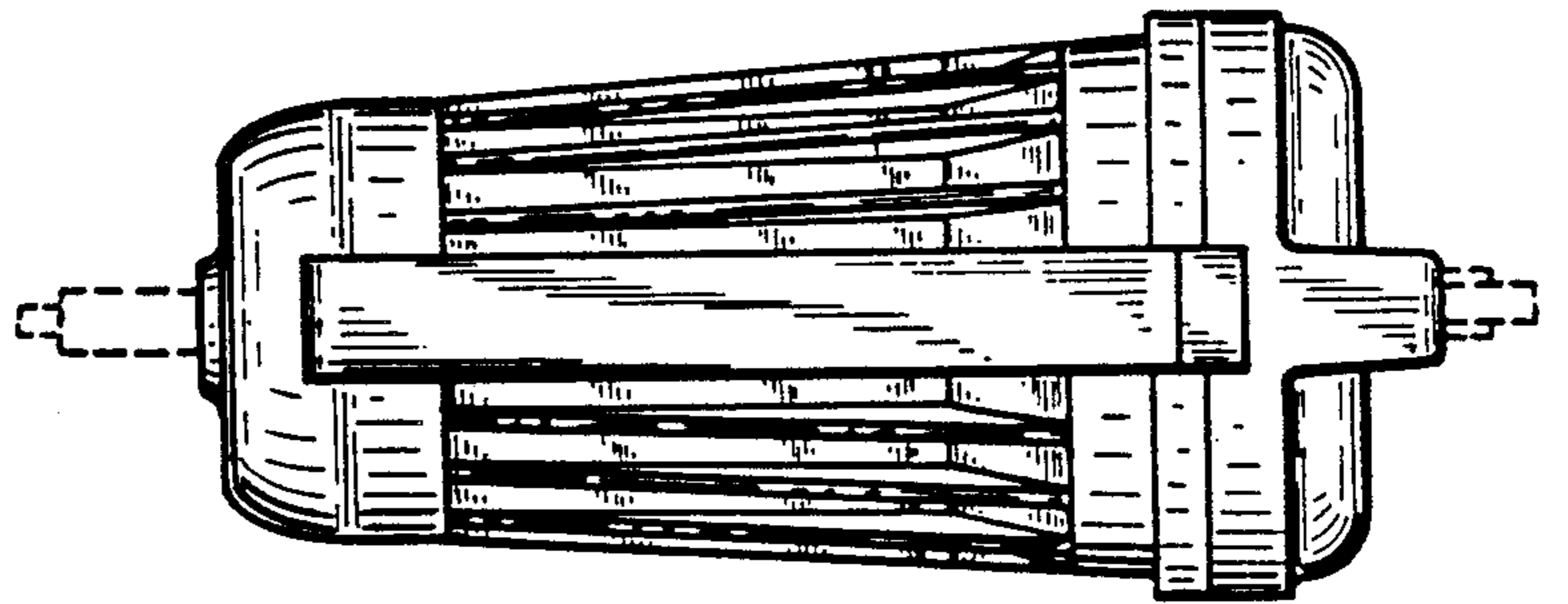


Fig. 3

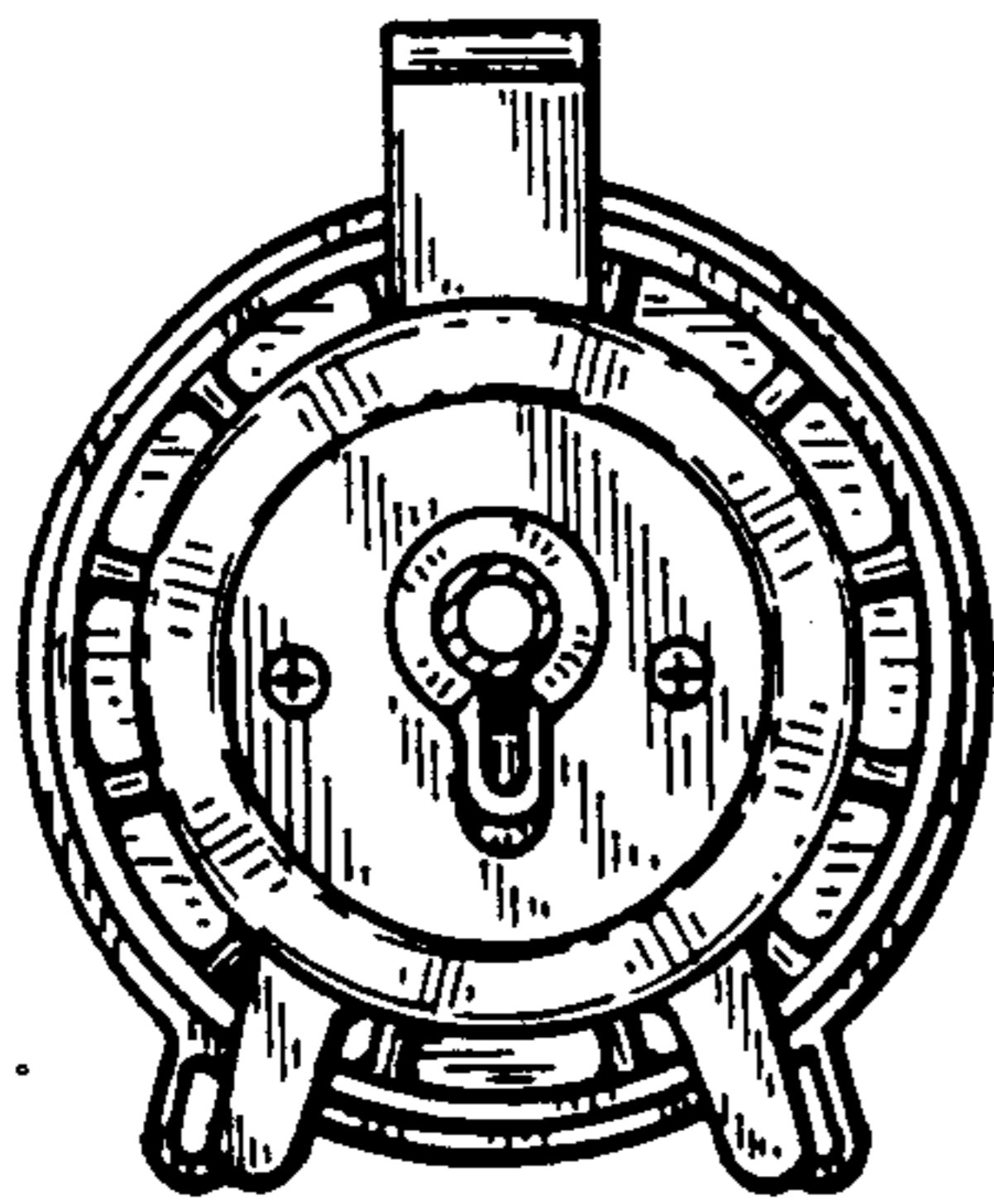


Fig. 5

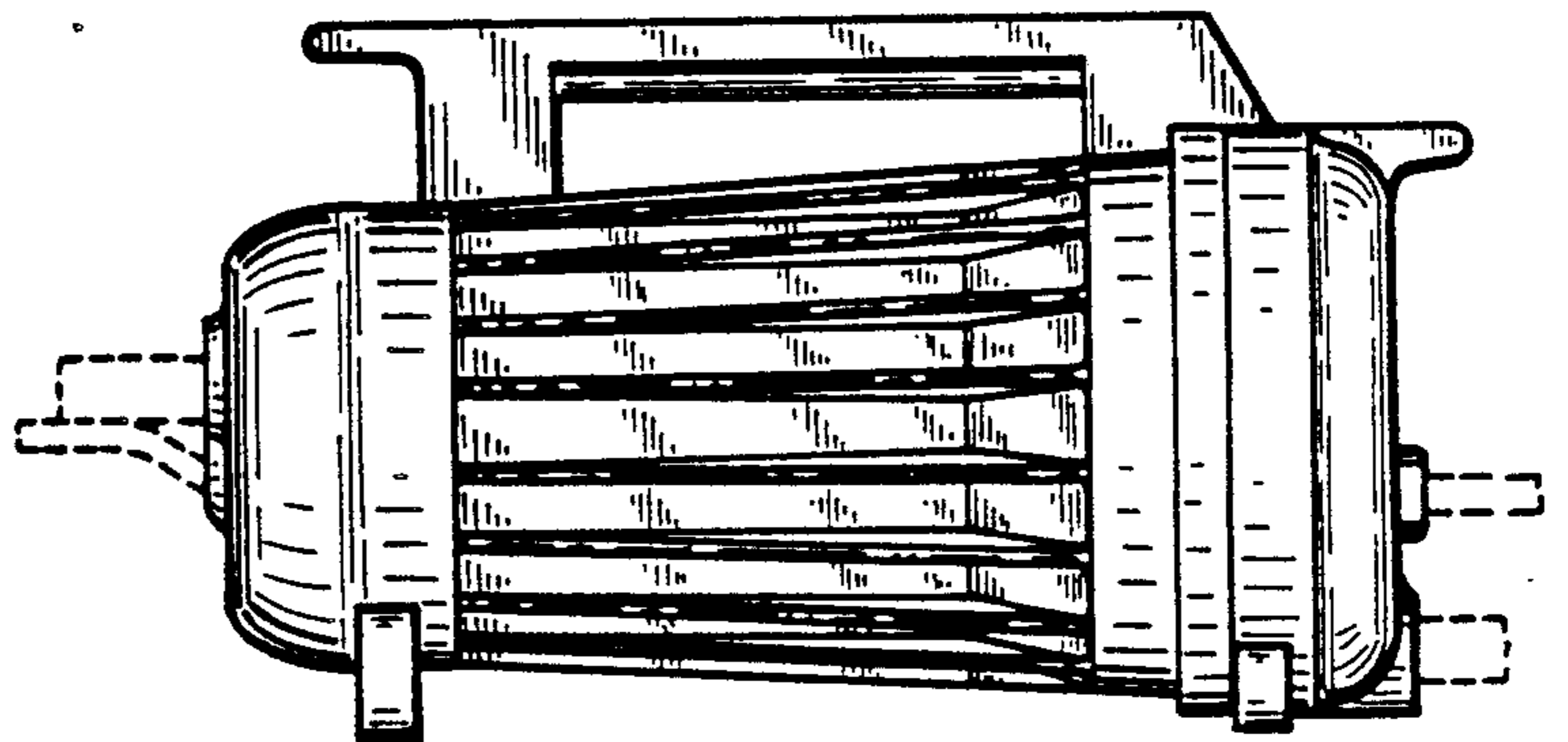


Fig. 2

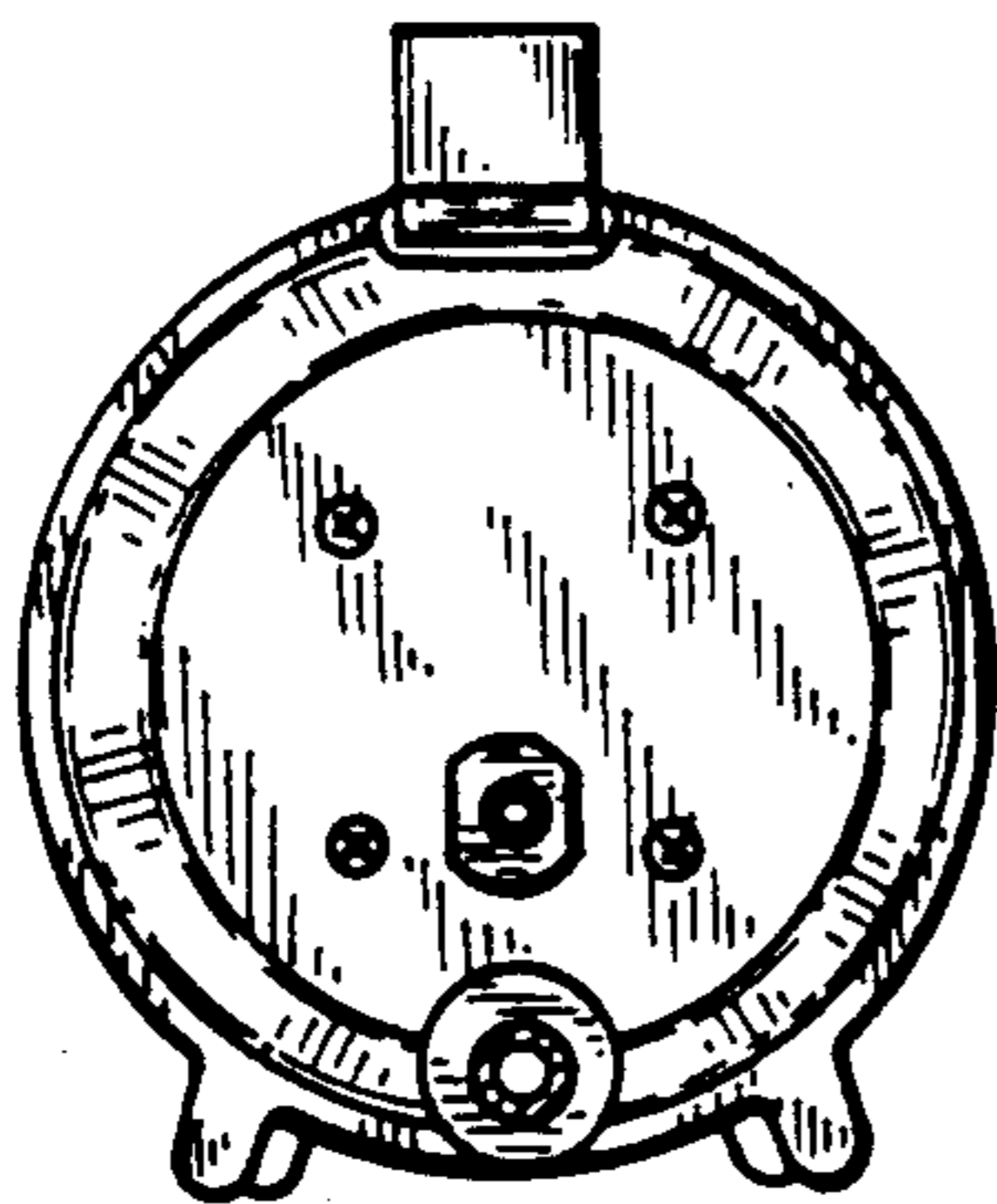


Fig. 6

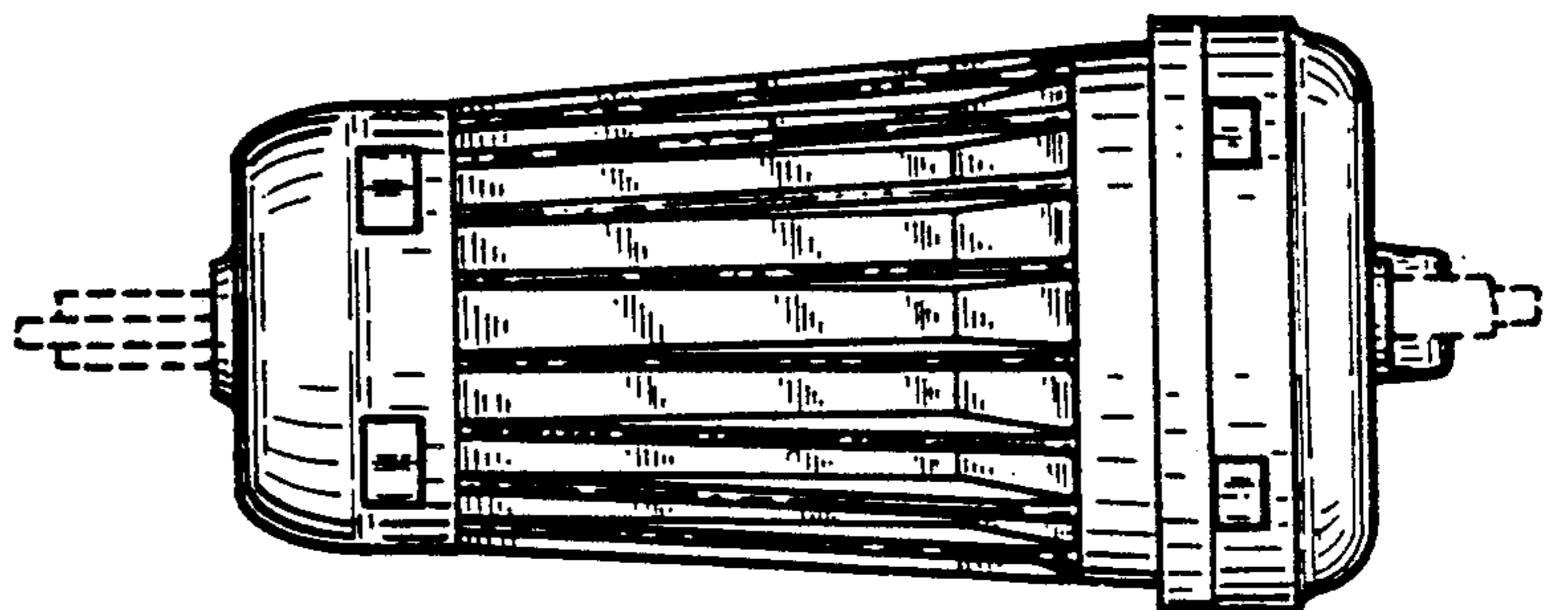


Fig. 4