

[54] **SURFACE CLEANING VEHICLE**
 [75] **Inventor: Robert E. Hoover, Toledo, Ohio**
 [73] **Assignee: Hoover & Wells, Inc., Toledo, Ohio**
 [**] **Term: 14 Years**
 [21] **Appl. No.: 190,951**
 [22] **Filed: May 6, 1988**
 [52] **U.S. Cl. D32/15**
 [58] **Field of Search D32/15, 16; D15/10, D15/124; 51/423, 424, 425, 429**

4,376,358 3/1983 Shelton 51/429
 4,382,352 5/1983 Nelson 51/424
 4,416,092 11/1983 Nelson 51/425
 4,646,481 3/1987 Dickson 51/425

OTHER PUBLICATIONS

Porta Shot-Blast Cleaning Machines, Nelco Manufacturing, Inc., Aug. 1984, Sales Literature.
Turbo Blast, Philip Johnson Corporation, May, 1985, Sales Literature.

Primary Examiner—A. Hugo Word
Assistant Examiner—Paula Allen
Attorney, Agent, or Firm—Marshall & Melhorn

[56] **References Cited**
U.S. PATENT DOCUMENTS

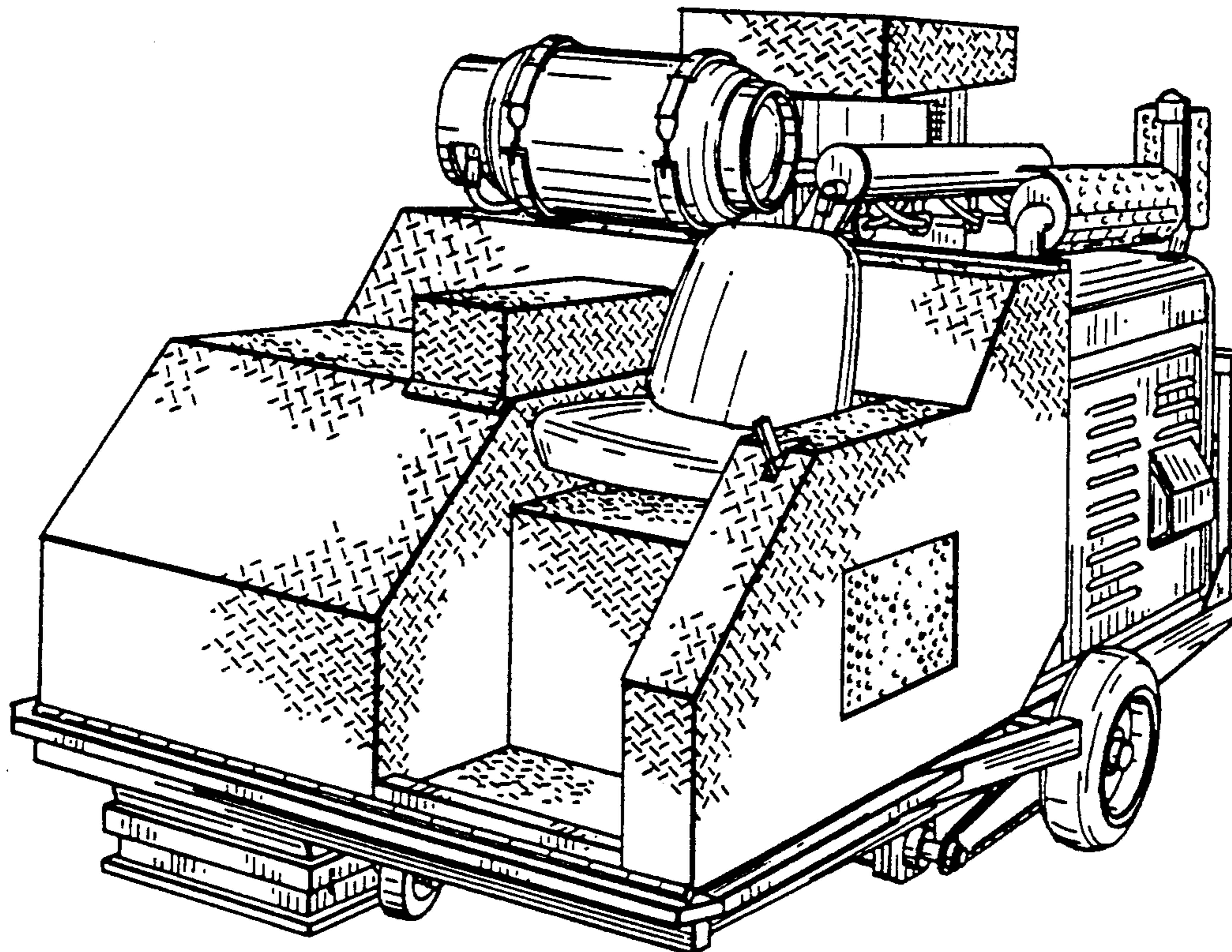
D. 189,718	2/1961	Patch	D32/16
D. 273,620	4/1984	Kimzey et al.	D32/16
3,660,943	5/1972	Barnthouse	51/9
3,691,689	9/1972	Goff	51/9
3,704,552	12/1972	Beaver et al.	51/9
3,756,377	9/1973	Goff	198/140
3,858,359	1/1975	Leliaert	51/9
3,877,175	4/1975	Snyder	51/9
4,035,958	7/1977	Nishio	51/425
4,052,820	10/1977	Bergh	52/423
4,336,671	6/1982	Nelson	51/424

[57] **CLAIM**

The ornamental design for a surface cleaning vehicle, as shown and described.

DESCRIPTION

FIG. 1 is a front perspective view of a surface cleaning vehicle showing my new design;
 FIG. 2 is a front elevational view thereof;
 FIG. 3 is a left side elevational view thereof;
 FIG. 4 is a right side elevational view thereof;
 FIG. 5 is a rear elevational view thereof; and
 FIG. 6 is a top plan view thereof.



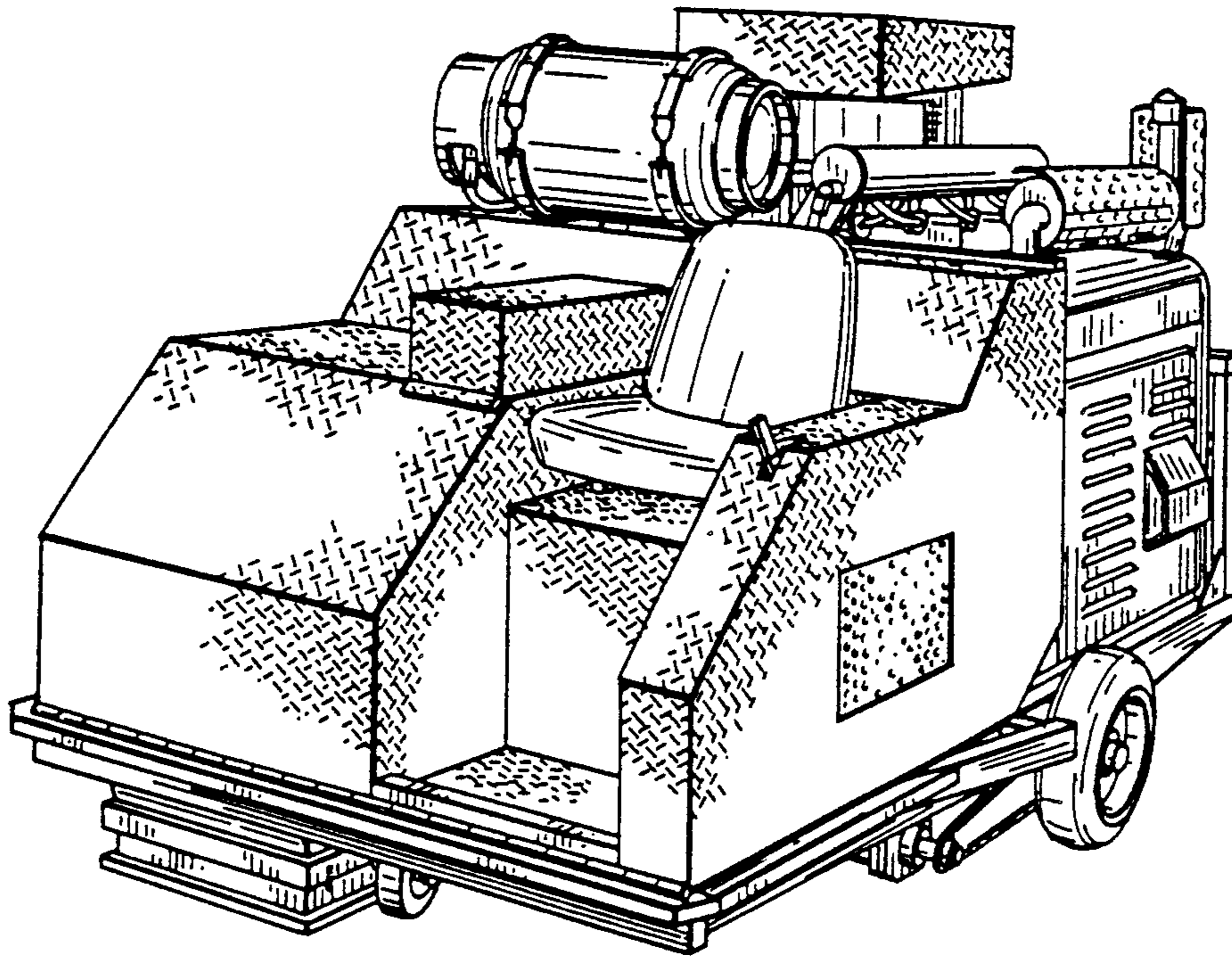


FIG. 1

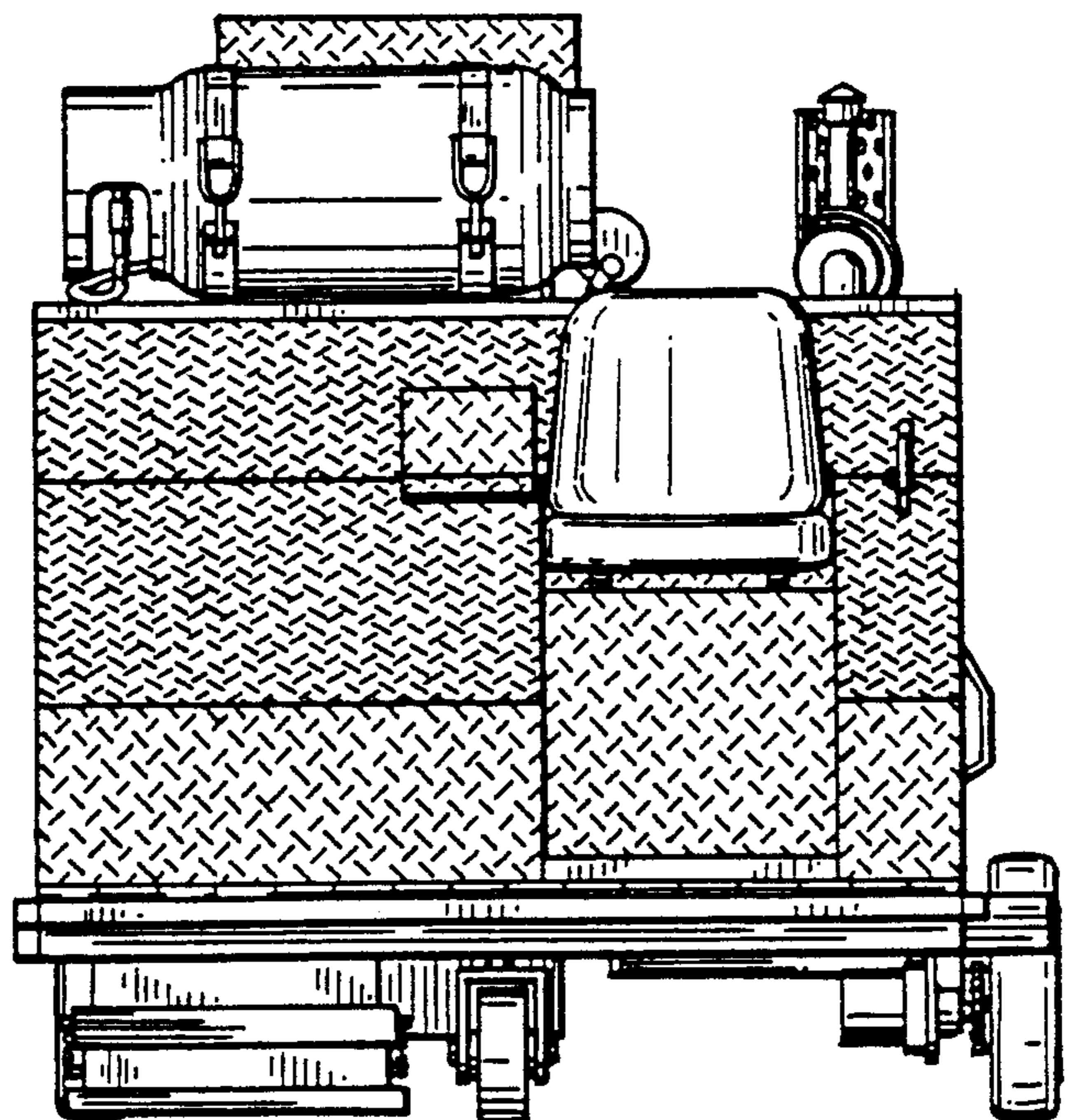


FIG. 2

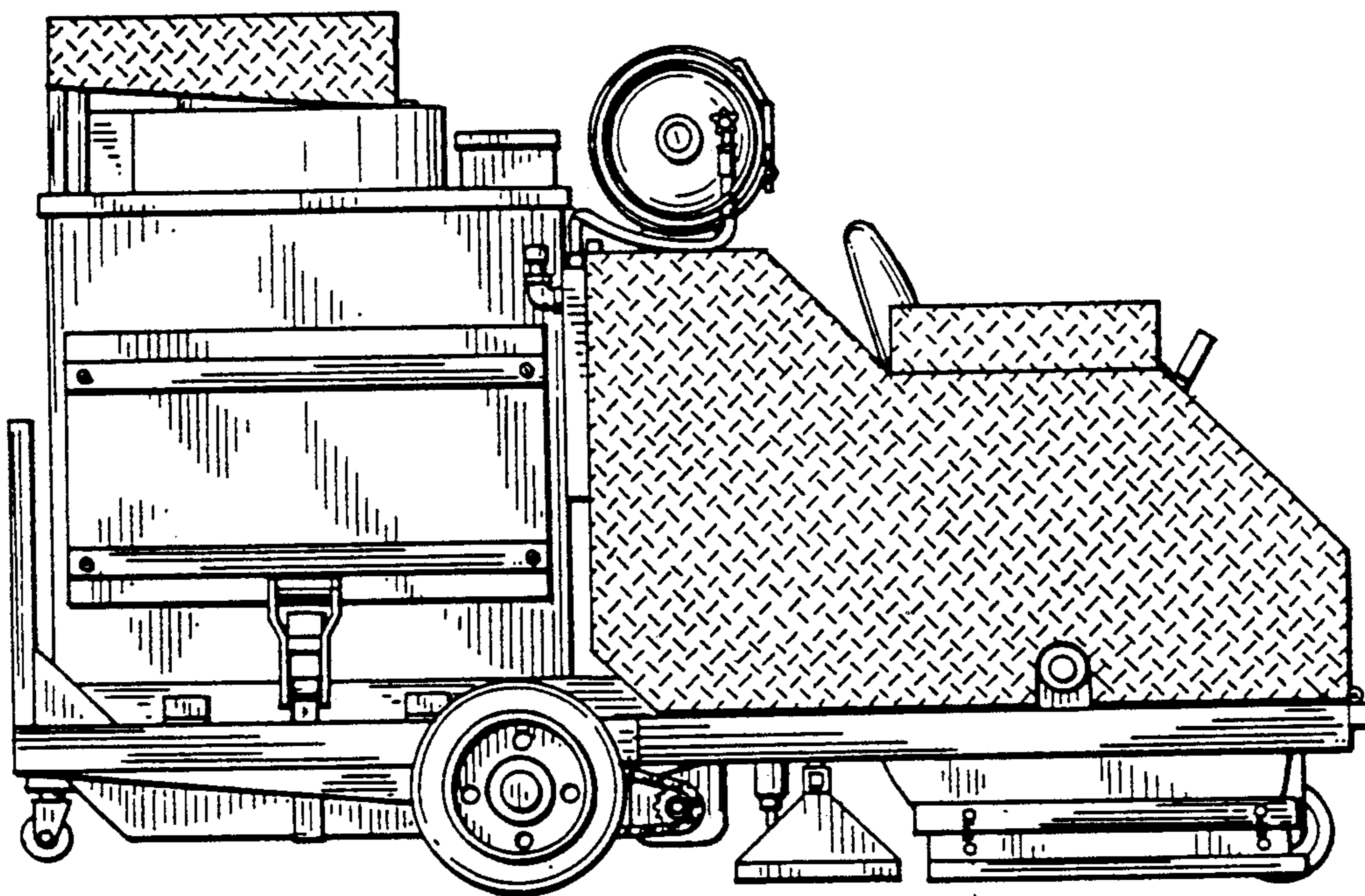


FIG. 3

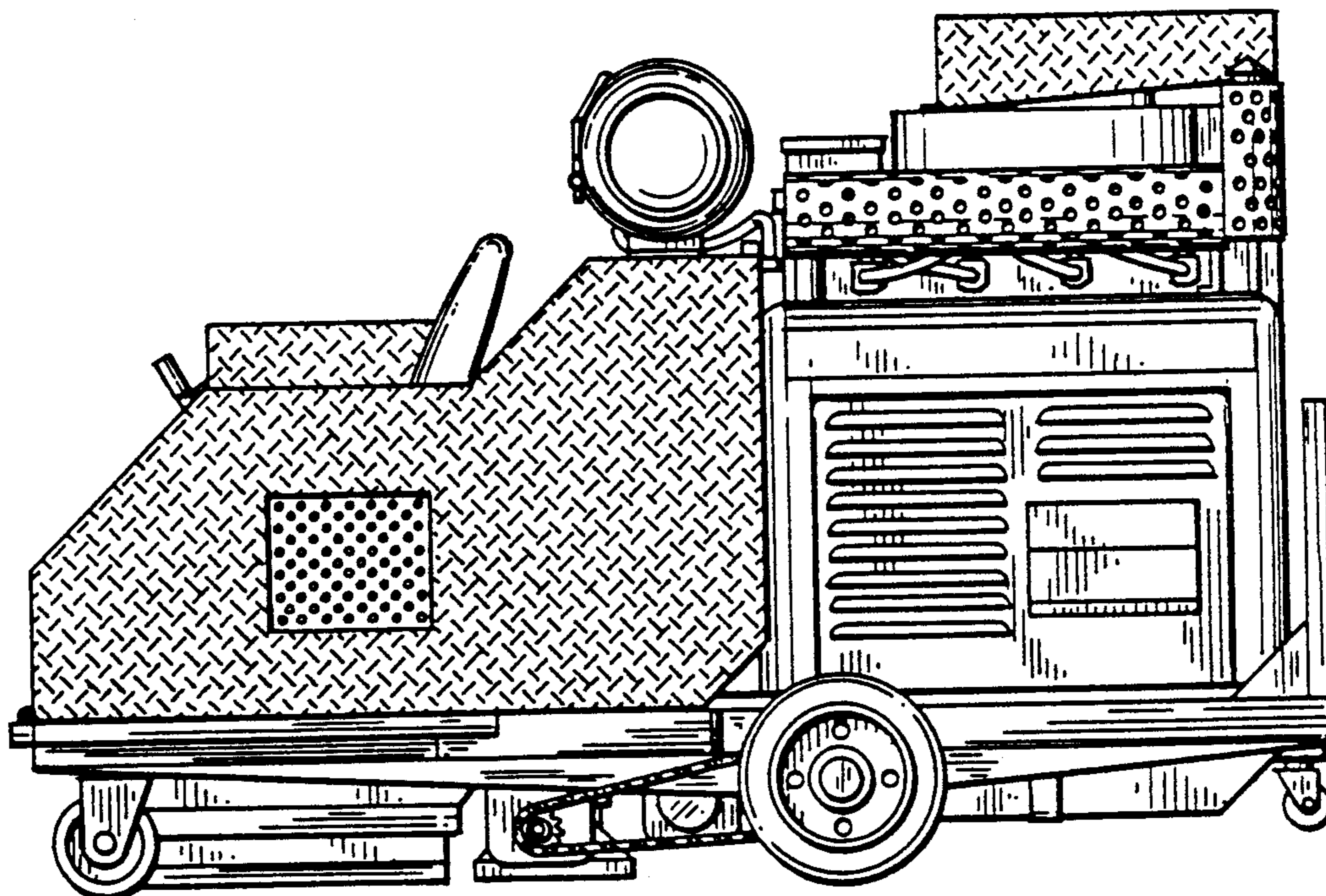


FIG. 4

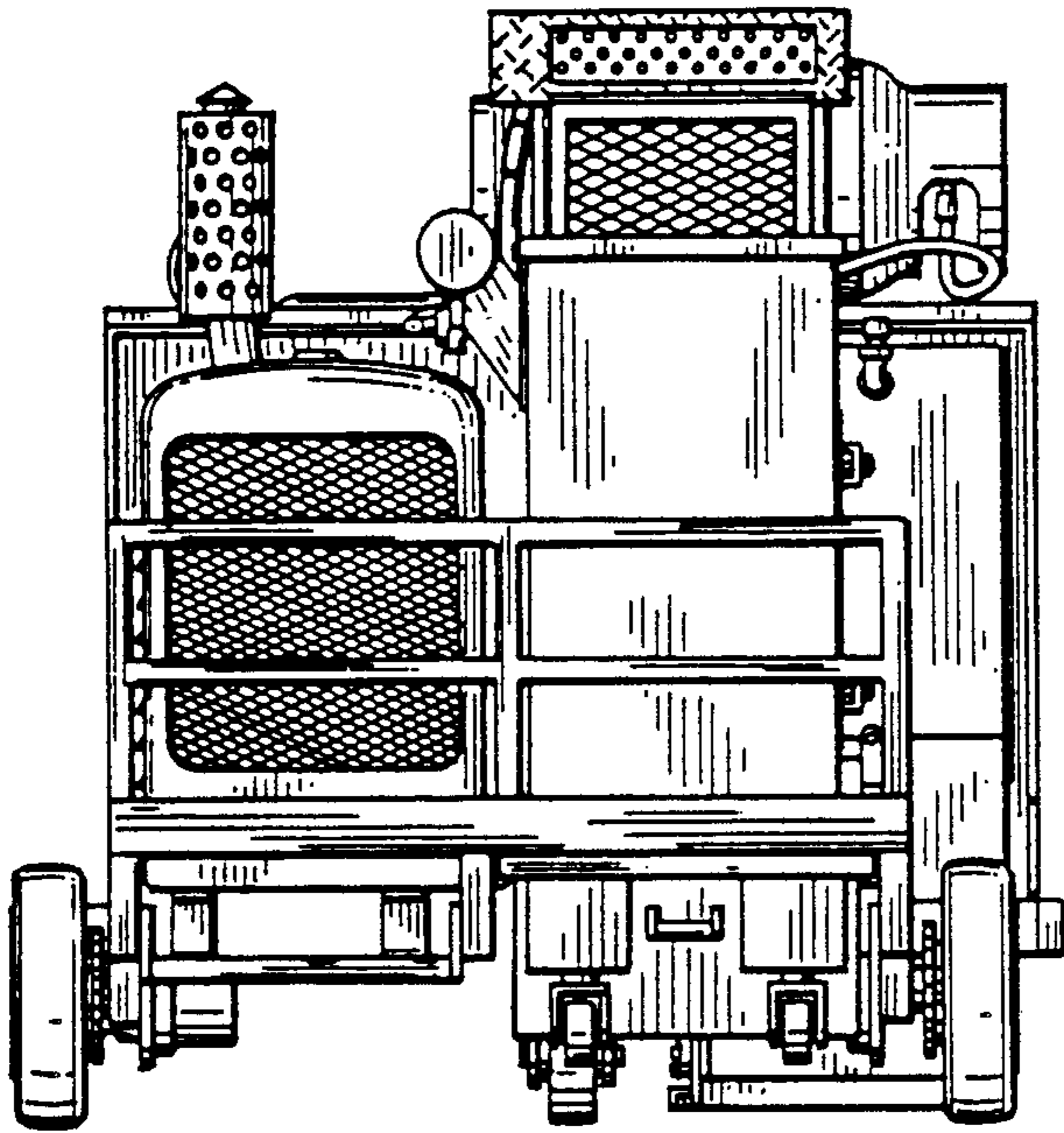


FIG. 5

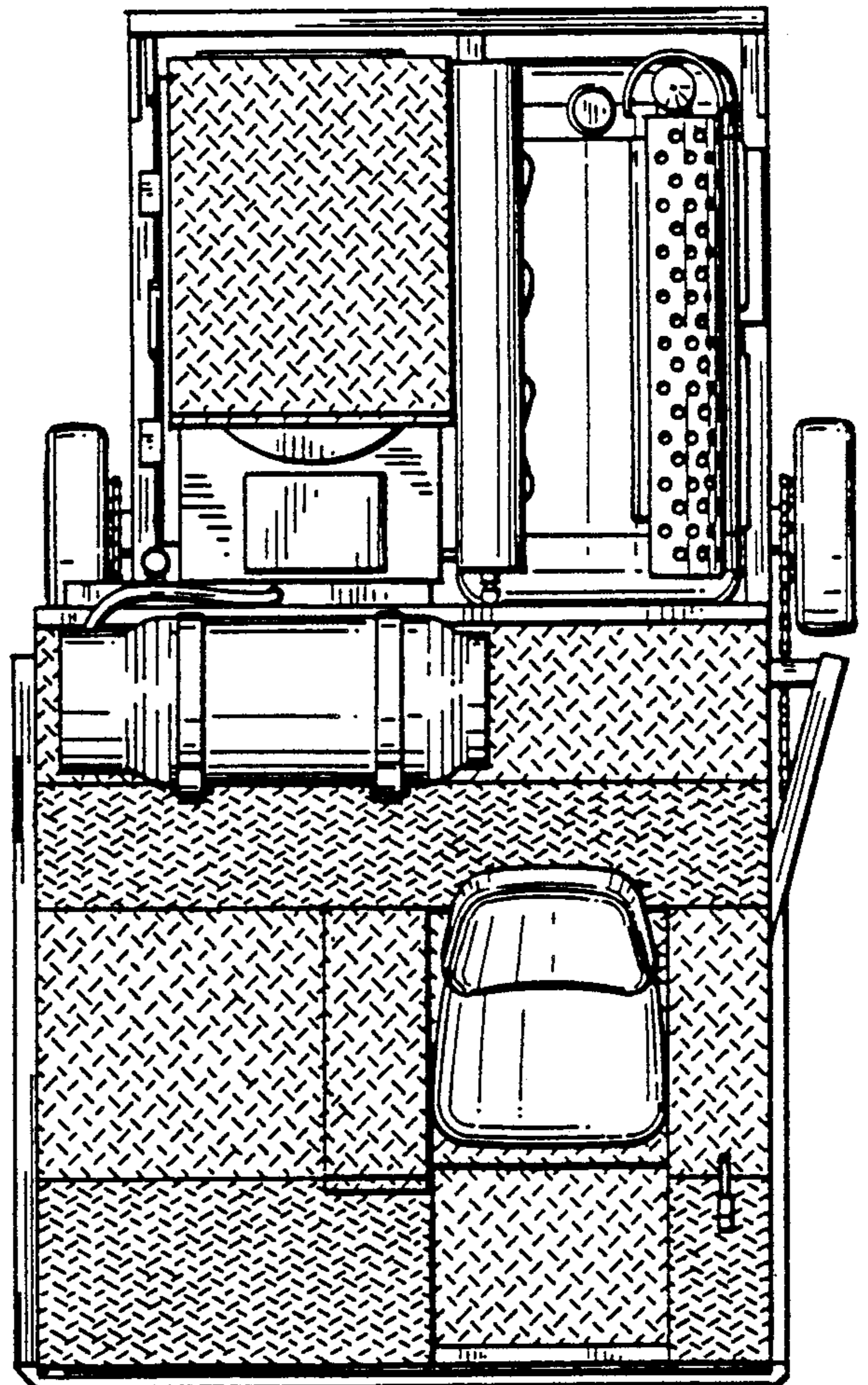


FIG. 6