

[54] **WASH ARM FOR A DISHWASHER**

[76] **Inventor: Ralph Brito, 1514 Trenton Pl.,
Anaheim, Calif. 92802**

[**] **Term: 14 Years**

[21] **Appl. No.: 153,025**

[22] **Filed: Feb. 8, 1988**

[52] **U.S. Cl. D32/3**

[58] **Field of Search D32/3; 239/244, 110;
134/68, 94**

[56] **References Cited**

U.S. PATENT DOCUMENTS

D. 212,121 8/1968 Tuthill et al. D32/3
960,393 8/1909 Peters 239/110
1,598,634 2/1923 Wolf 239/110

1,775,162 6/1929 Fisk et al. D32/3 X
2,075,702 11/1935 Coles et al. 239/244
2,586,517 5/1948 Coles 239/244
2,637,595 10/1946 Fox et al. 239/244

Primary Examiner—Louis S. Zarfes
Assistant Examiner—Paula Allen
Attorney, Agent, or Firm—Stetina & Brunda

[57] **CLAIM**

The ornamental design for a wash arm for a dishwasher,
as shown and described.

DESCRIPTION

FIG. 1 is a perspective view of a wash arm for a dish-
washer showing my new design;
FIG. 2 is a top plan view thereof;
FIG. 3 is a front elevational view thereof; and
FIG. 4 is a bottom plan view thereof.

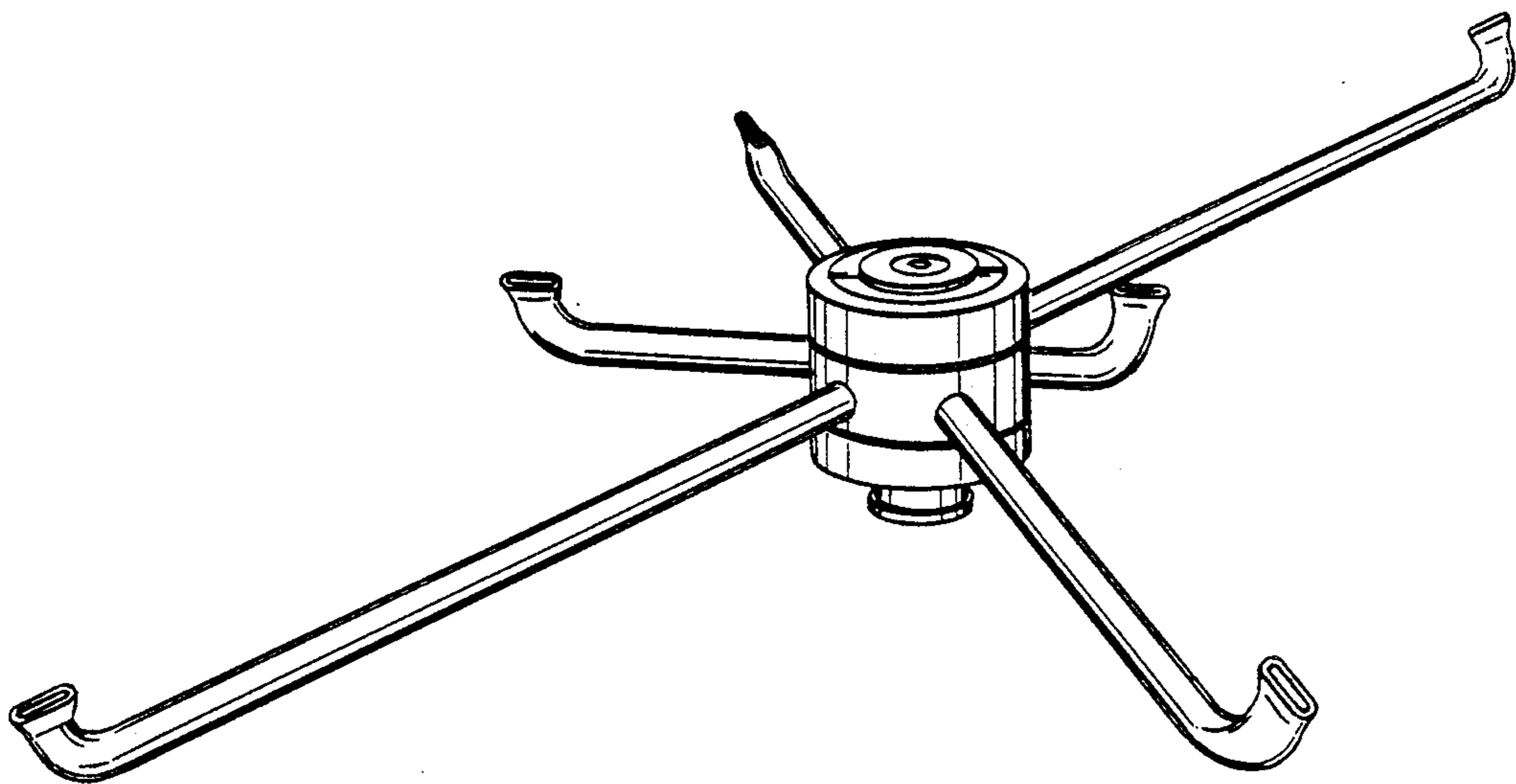


Fig. 1

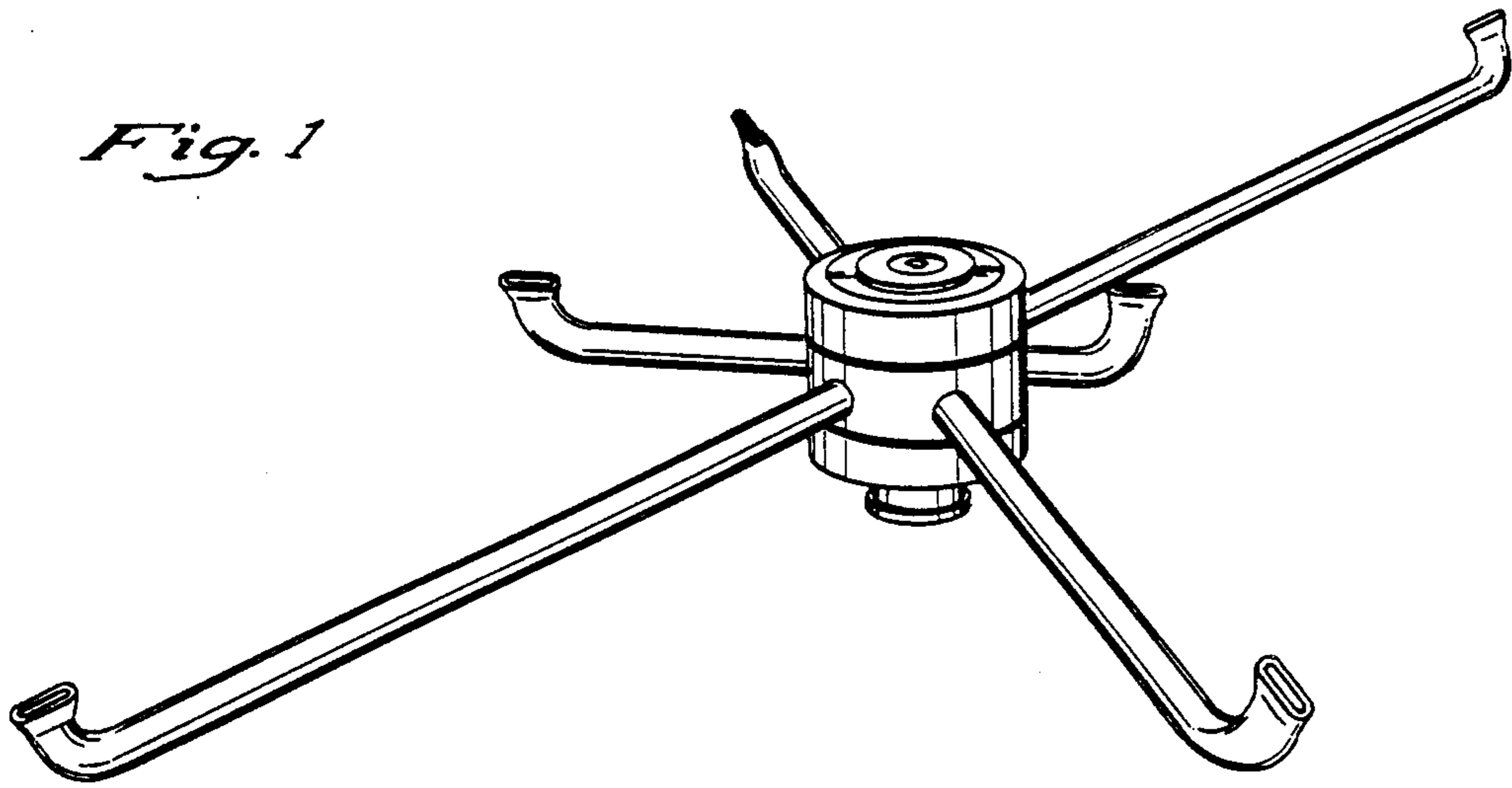


Fig. 2

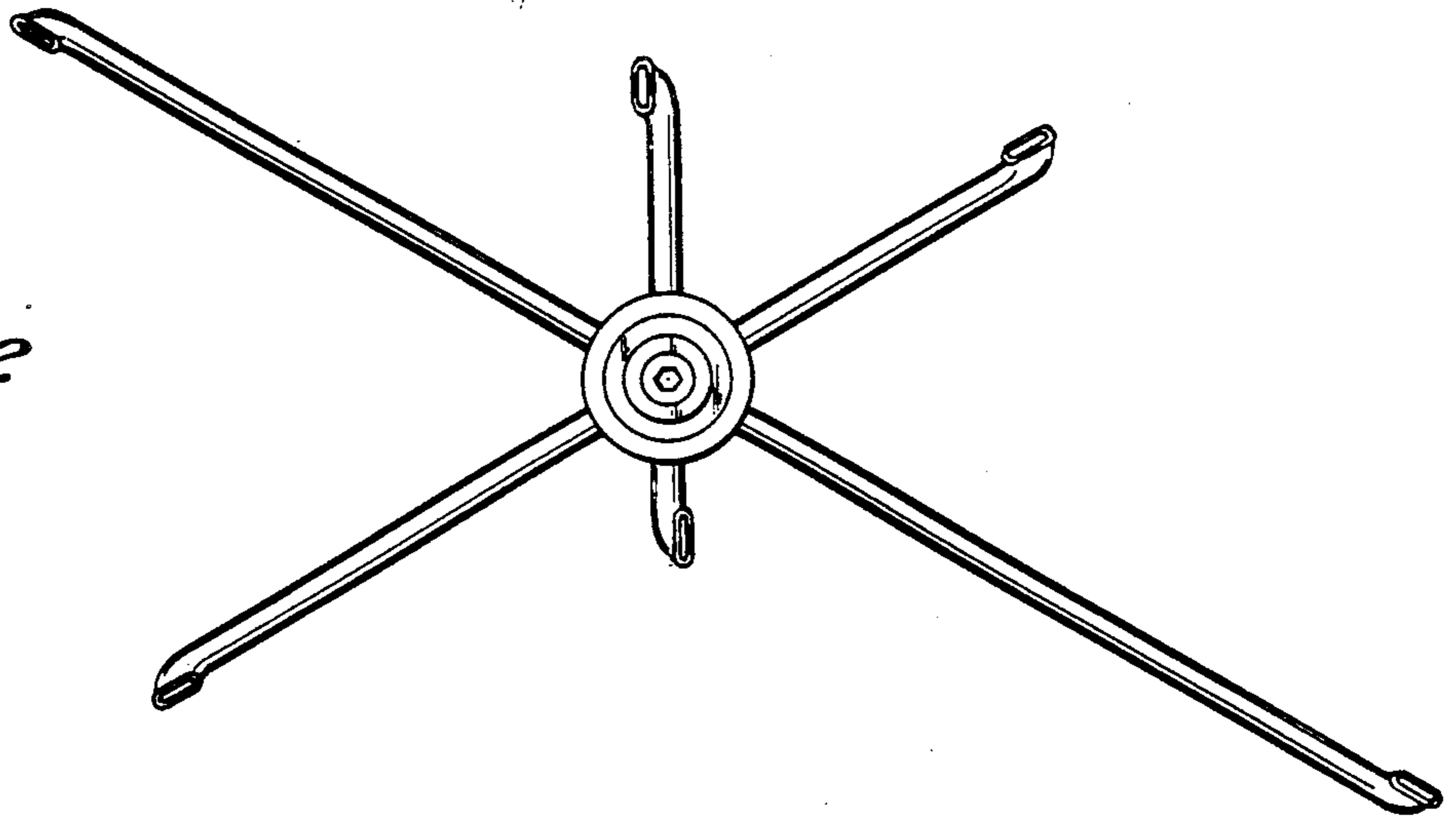


Fig. 3

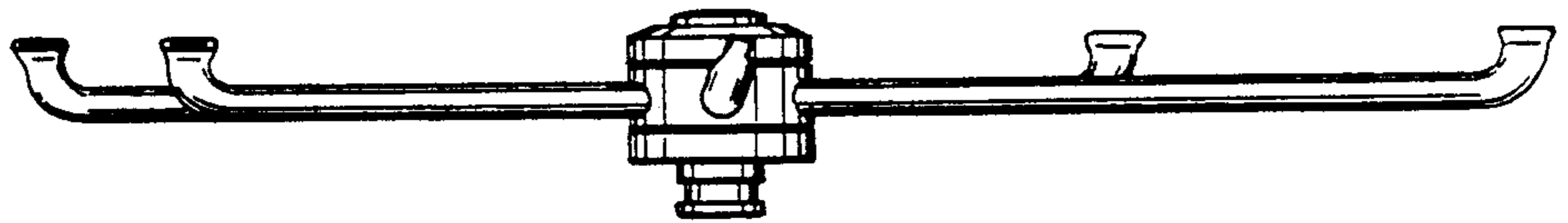


Fig. 4

