

[54] PORTABLE PET KENNEL

[75] Inventor: Ralph Van Skiver, Arlington, Tex.

[73] Assignee: Dorskocil Manufacturing Co., Inc.,  
Arlington, Tex.

[\*] Notice: The portion of the term of this patent  
subsequent to Nov. 20, 2004 has been  
disclaimed.

[\*\*] Term: 14 Years

[21] Appl. No.: 101,767

[22] Filed: Sep. 28, 1987

[52] U.S. Cl. .... D30/109

[58] Field of Search ..... D30/102, 108-120,  
D30/125, 160; 119/1, 17, 19, 23, 26, 29, 52.2,  
57.8

[56] References Cited

U.S. PATENT DOCUMENTS

D. 214,566	7/1969	Swinney .....	D30/109
D. 220,961	6/1971	Ringelman .....	D30/109
D. 227,126	6/1973	Brison .....	D30/109
2,538,778	1/1951	Halpin .....	119/19
2,790,414	4/1957	Rossow .....	119/19

3,710,761	1/1973	Gregory .....	119/19
4,256,056	3/1981	Sou .....	119/19
4,397,398	8/1983	Watanabe .....	119/19
4,484,540	11/1984	Yamamoto .....	119/19
4,590,885	5/1986	Sugiura .....	119/19
4,852,520	8/1989	Goetz .....	119/19

OTHER PUBLICATIONS

Design 408, Dec. 1982, p. 28, top left item.

Primary Examiner—James R. Largen

Attorney, Agent, or Firm—Charles W. McHugh

[57] CLAIM

The ornamental design for a portable pet kennel, as  
shown.

DESCRIPTION

FIG. 1 is a perspective view taken from the top, front  
and left side of a portable pet kennel showing my new  
design;

FIG. 2 is a left side elevational view thereof;

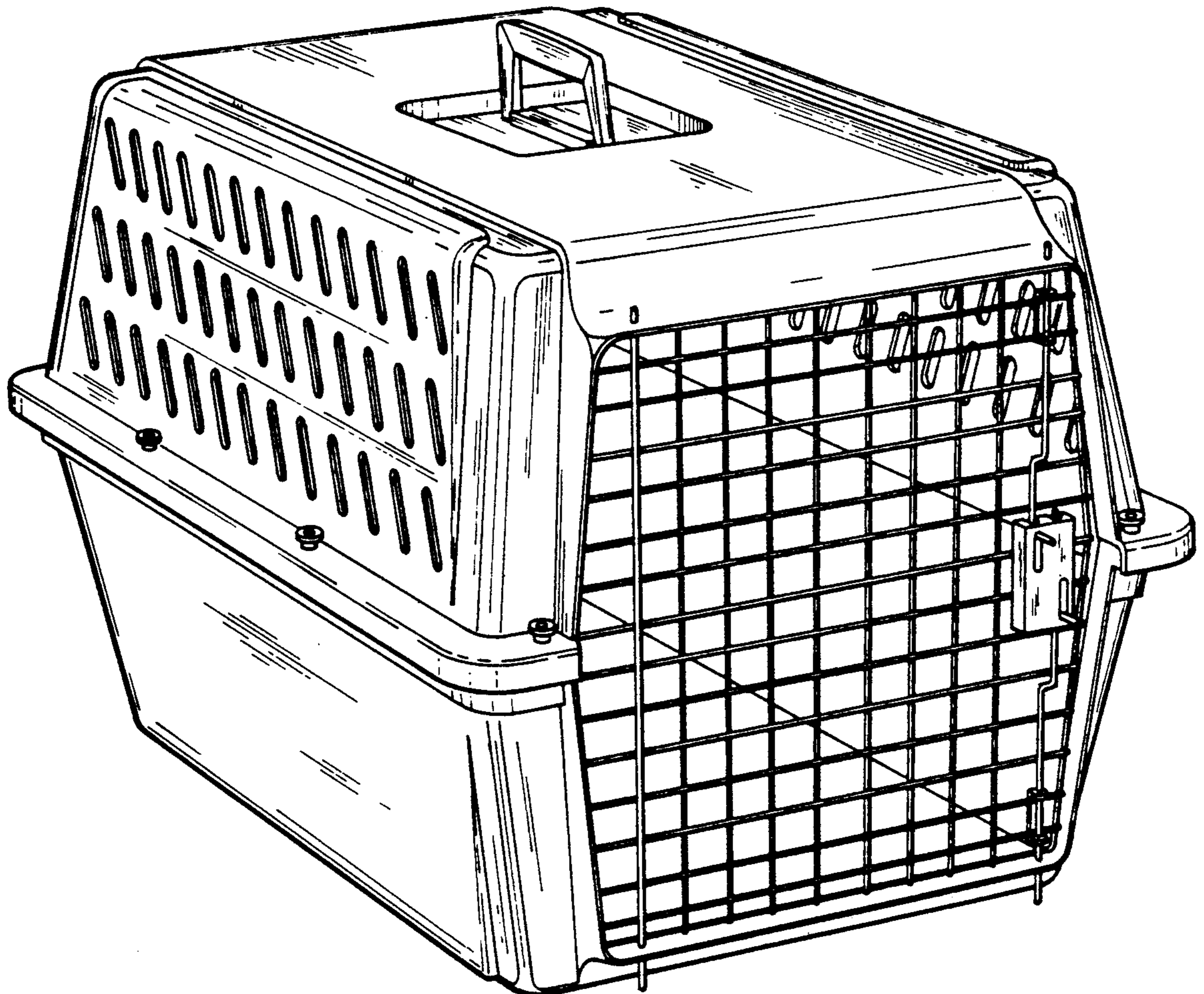
FIG. 3 is a front elevational view thereof;

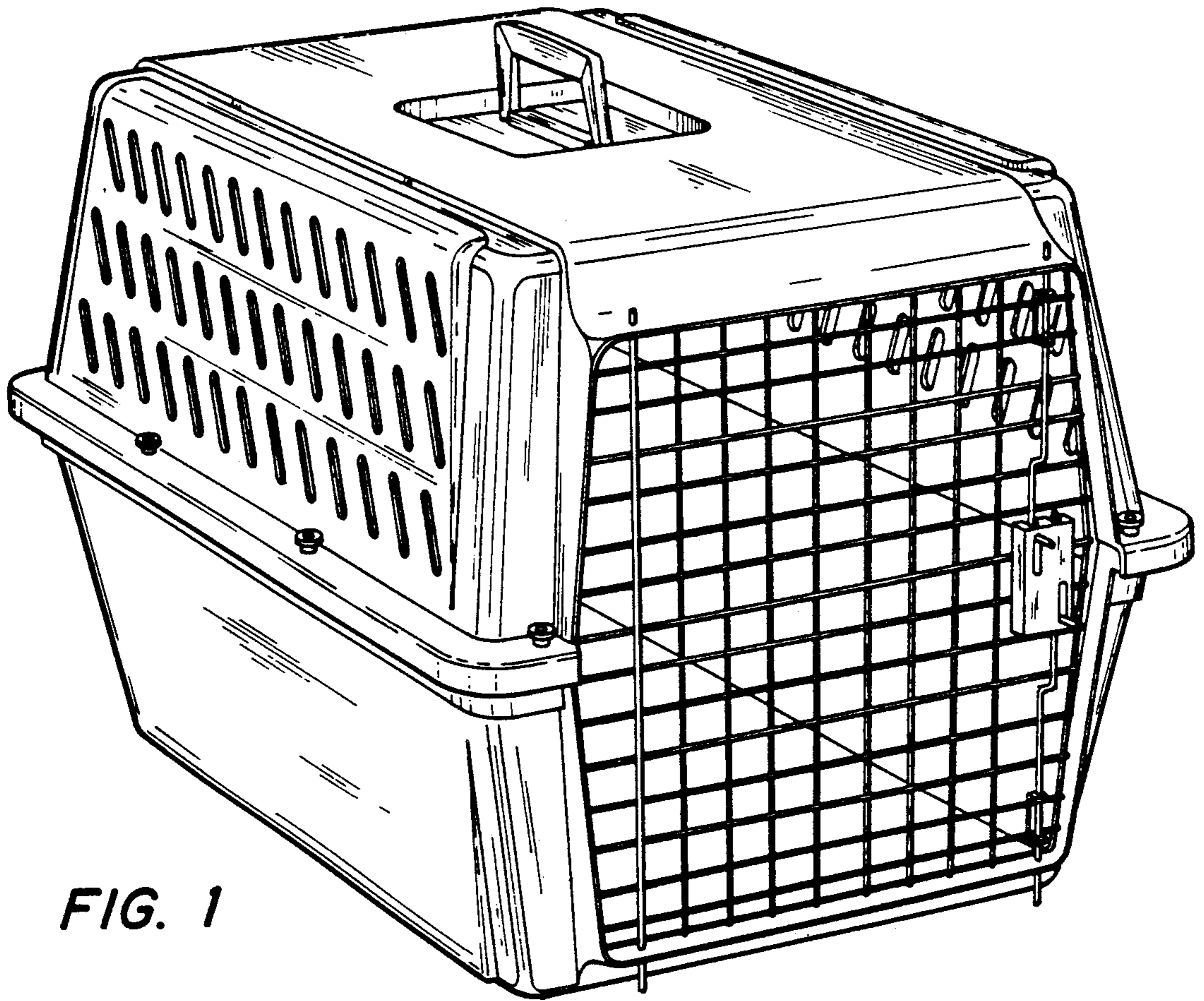
FIG. 4 is a rear elevational view thereof;

FIG. 5 is a right side elevational view thereof;

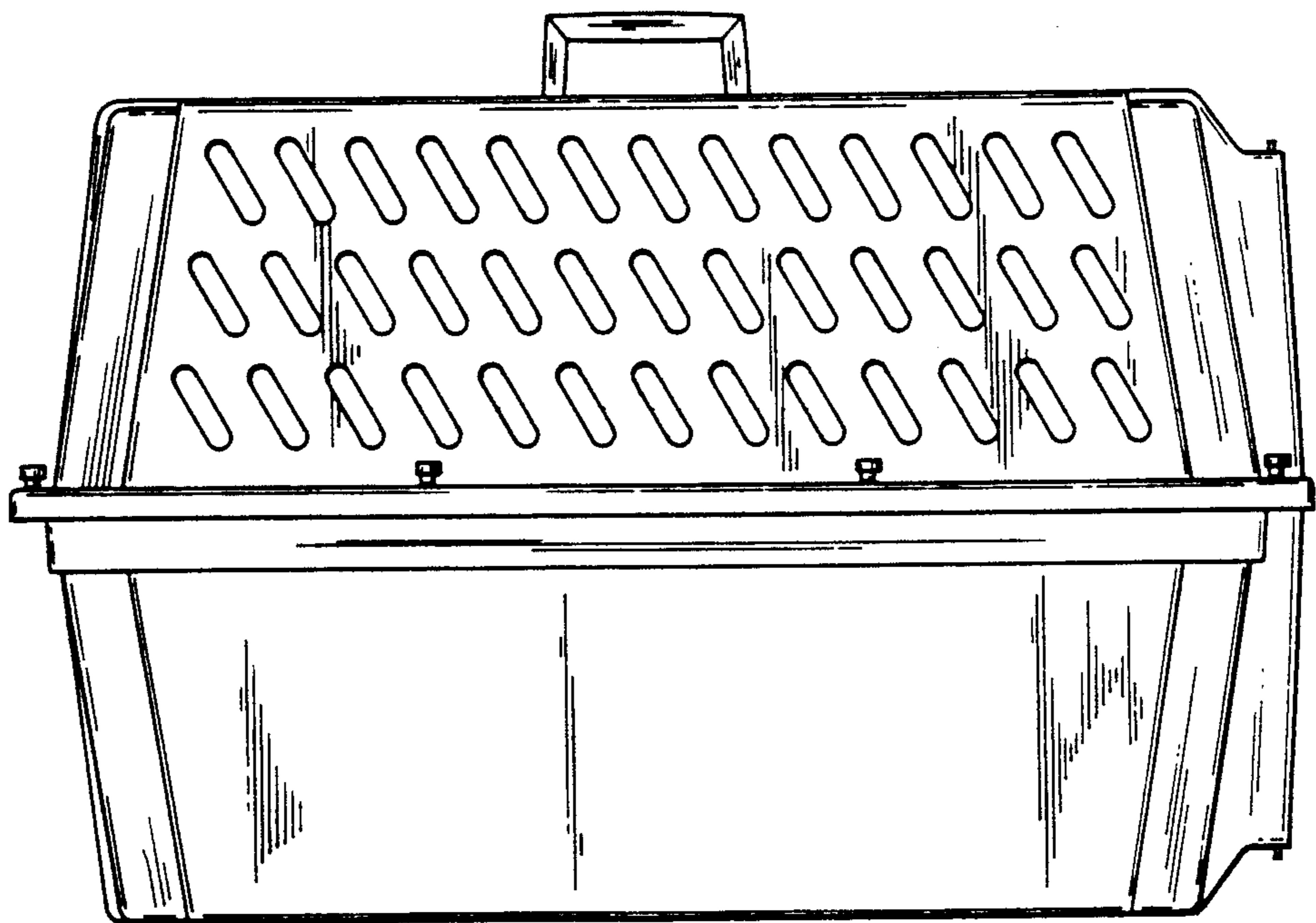
FIG. 6 is a top plan view thereof; and

FIG. 7 is a bottom plan view thereof.





*FIG. 1*



*FIG. 2*

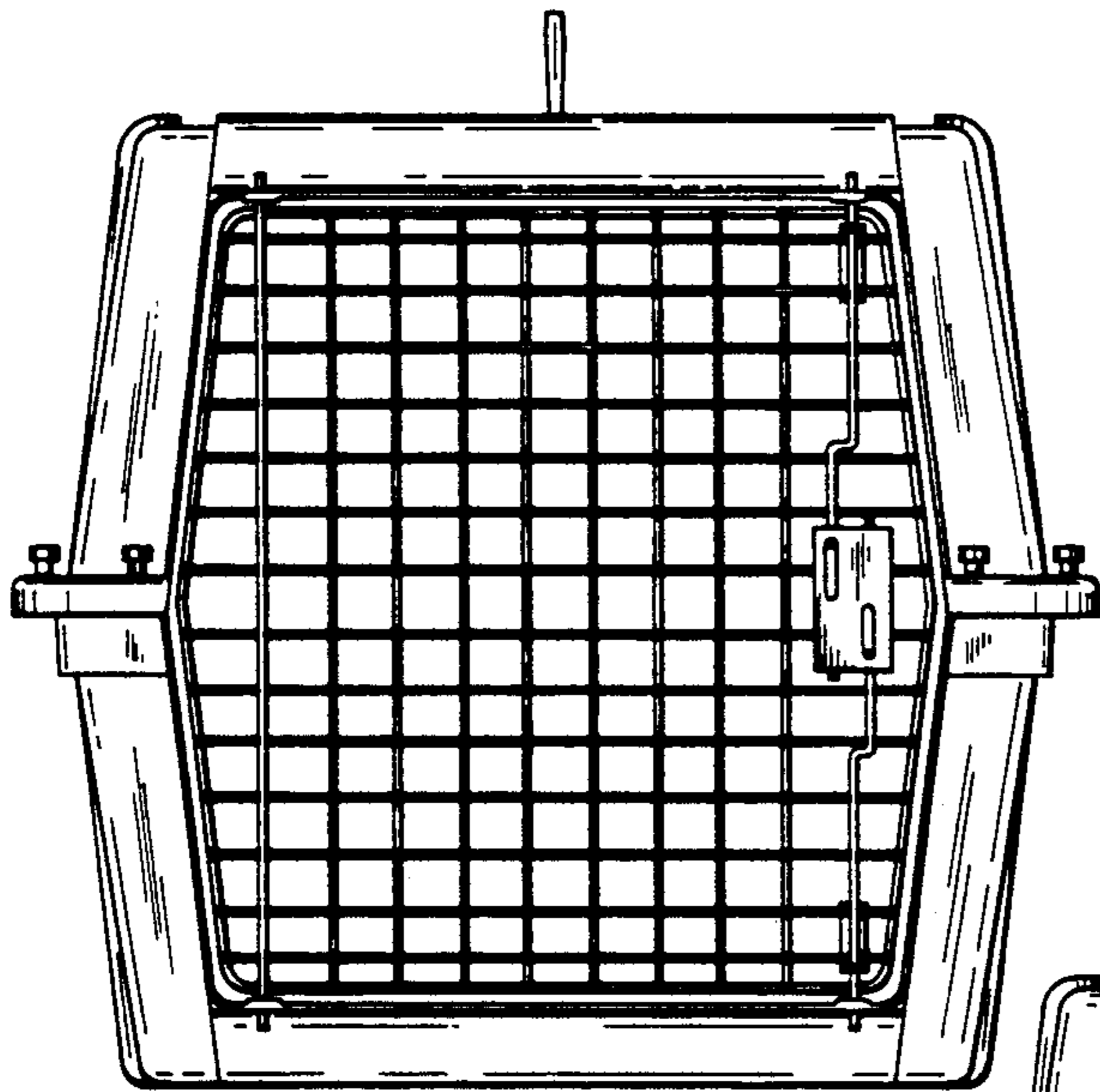


FIG. 3

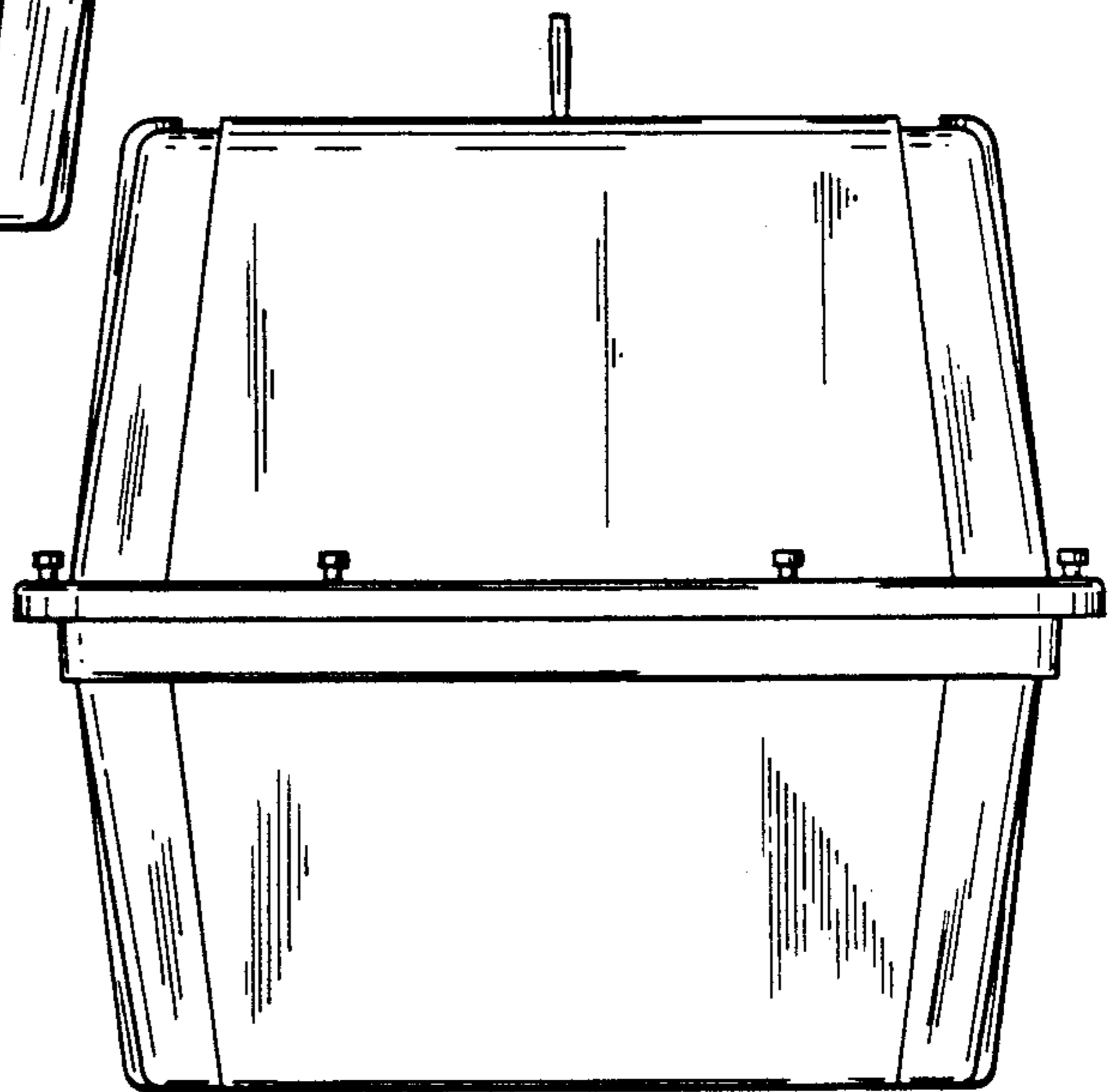


FIG. 4

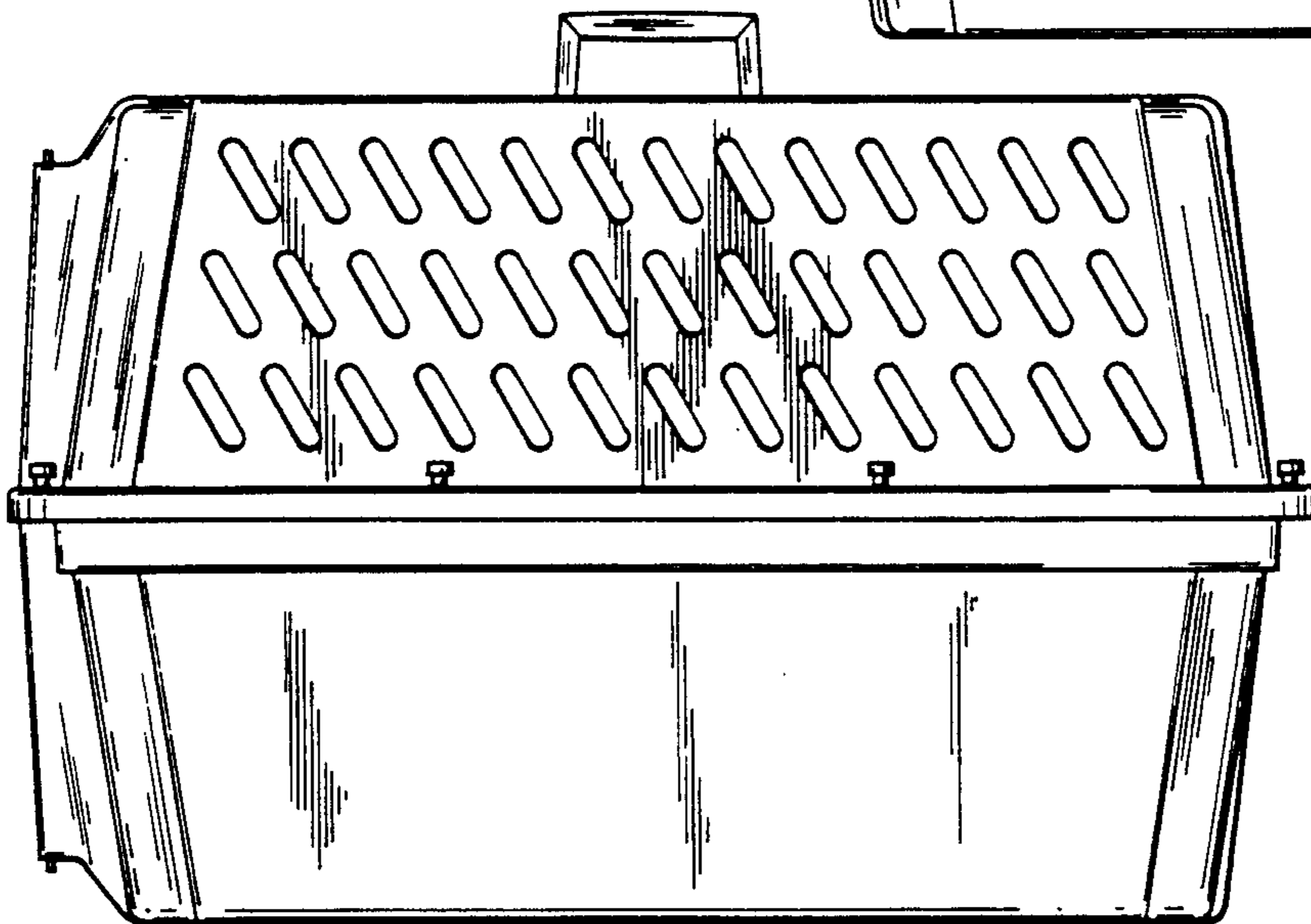
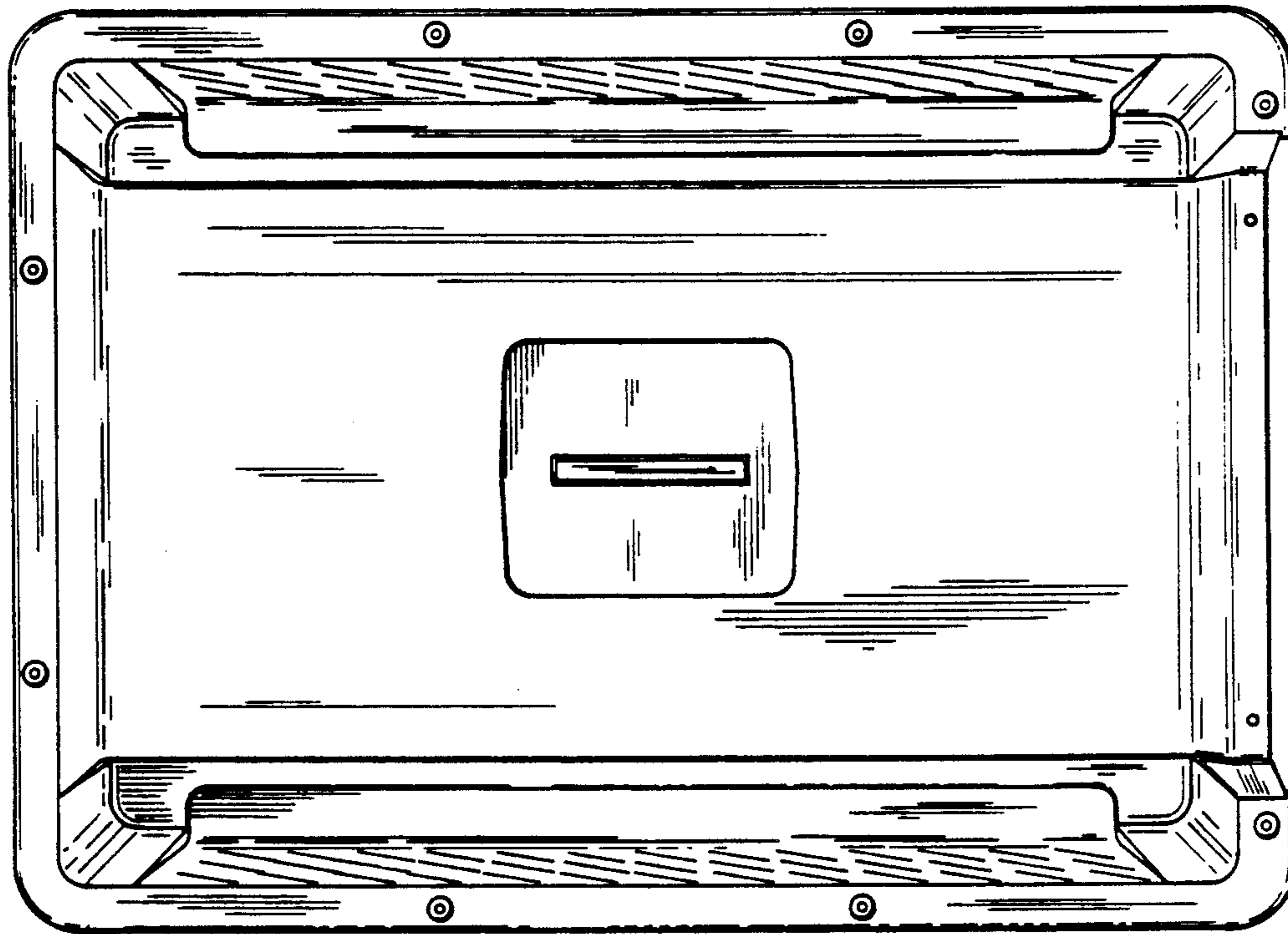


FIG. 5



**FIG. 6**



**FIG. 7**