

[54] ADJUSTABLE LAMP

[75] Inventor: David E. Bache, Knowle, England

[73] Assignee: Alexander Engineering, Company Limited, Bucking Hamshire, Great Britain

[\*\*] Term: 14 Years

[21] Appl. No.: 144,025

[22] Filed: Jan. 14, 1988

[52] U.S. Cl. .... D26/62

[58] Field of Search ..... D26/60-65, D26/24, 28, 29, 37, 44; 362/157, 158, 183, 198, 398, 362

[56] References Cited

U.S. PATENT DOCUMENTS

D. 281,820	12/1985	Oba et al. ....	D26/60 X
2,648,762	8/1953	Dunkelberger .....	362/198
3,103,723	9/1963	Becker .....	362/198 X
3,666,938	5/1972	Dolega .....	362/398

Primary Examiner—Susan J. Lucas

[57] CLAIM

The ornamental design for adjustable lamp, as shown and described.

DESCRIPTION

FIG. 1 is a top, front, left hand side perspective view of an adjustable lamp showing my new design;  
 FIG. 2 is a rear elevational view thereof on an enlarged scale;  
 FIG. 3 is a left hand side elevational view thereof on an enlarged scale;  
 FIG. 4 is a right hand side elevational view thereof on an enlarged scale;  
 FIG. 5 is a bottom plan view thereof on an enlarged scale;  
 FIG. 6 is a top, front, left hand side perspective view thereof, with the interior light source diffuser rotated to an alternate position;  
 FIG. 7 is a fragmentary front elevational view thereof with the interior light source diffuser in the position shown in FIG. 1; and  
 FIG. 8 is a fragmentary front elevational view thereof with the interior light source diffuser in the position shown in FIG. 6.  
 The flexible cable and mounting bracket are omitted from the fragmentary views in FIGS. 7 and 8 for convenience of illustration.

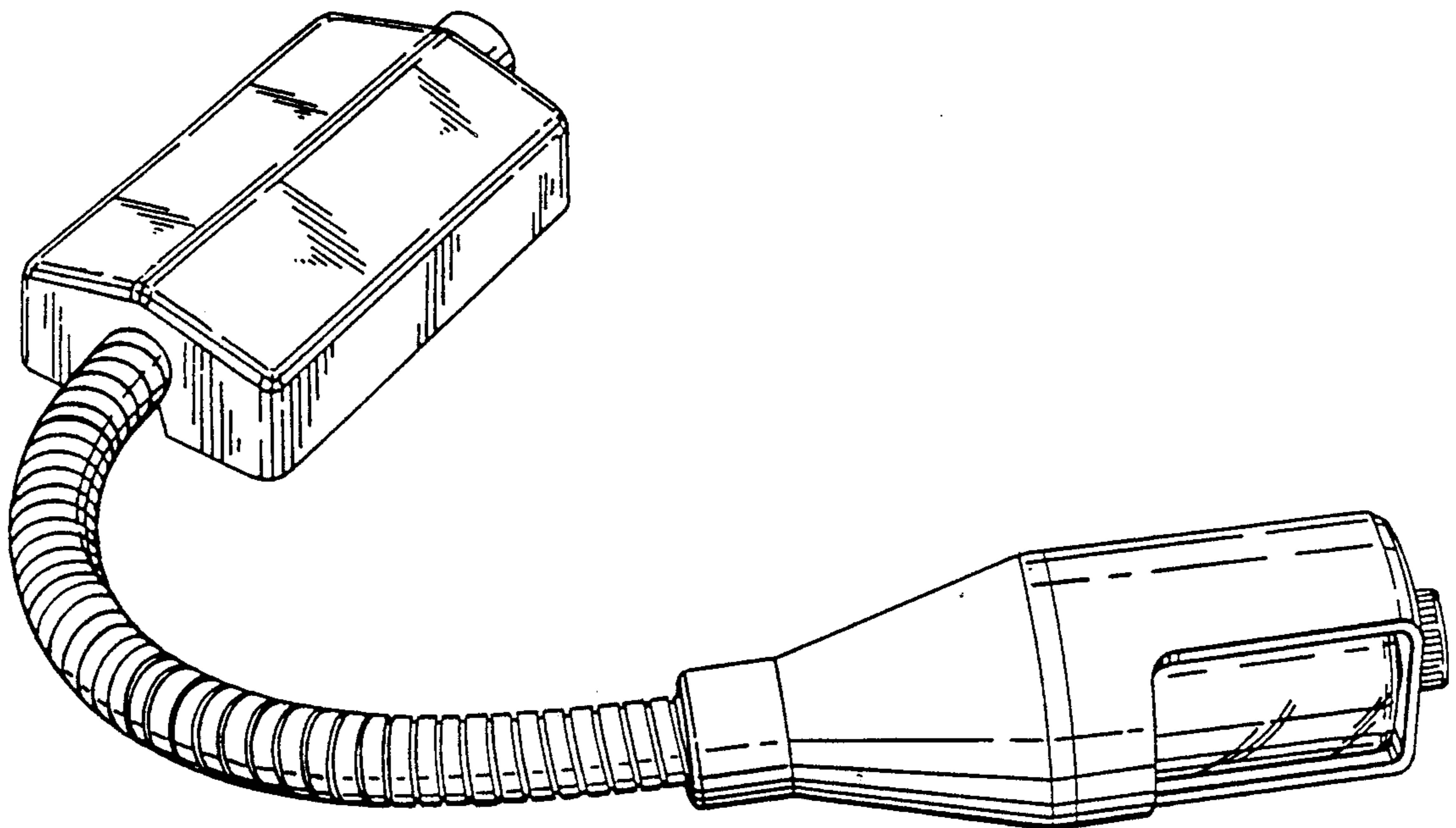


FIG. 1

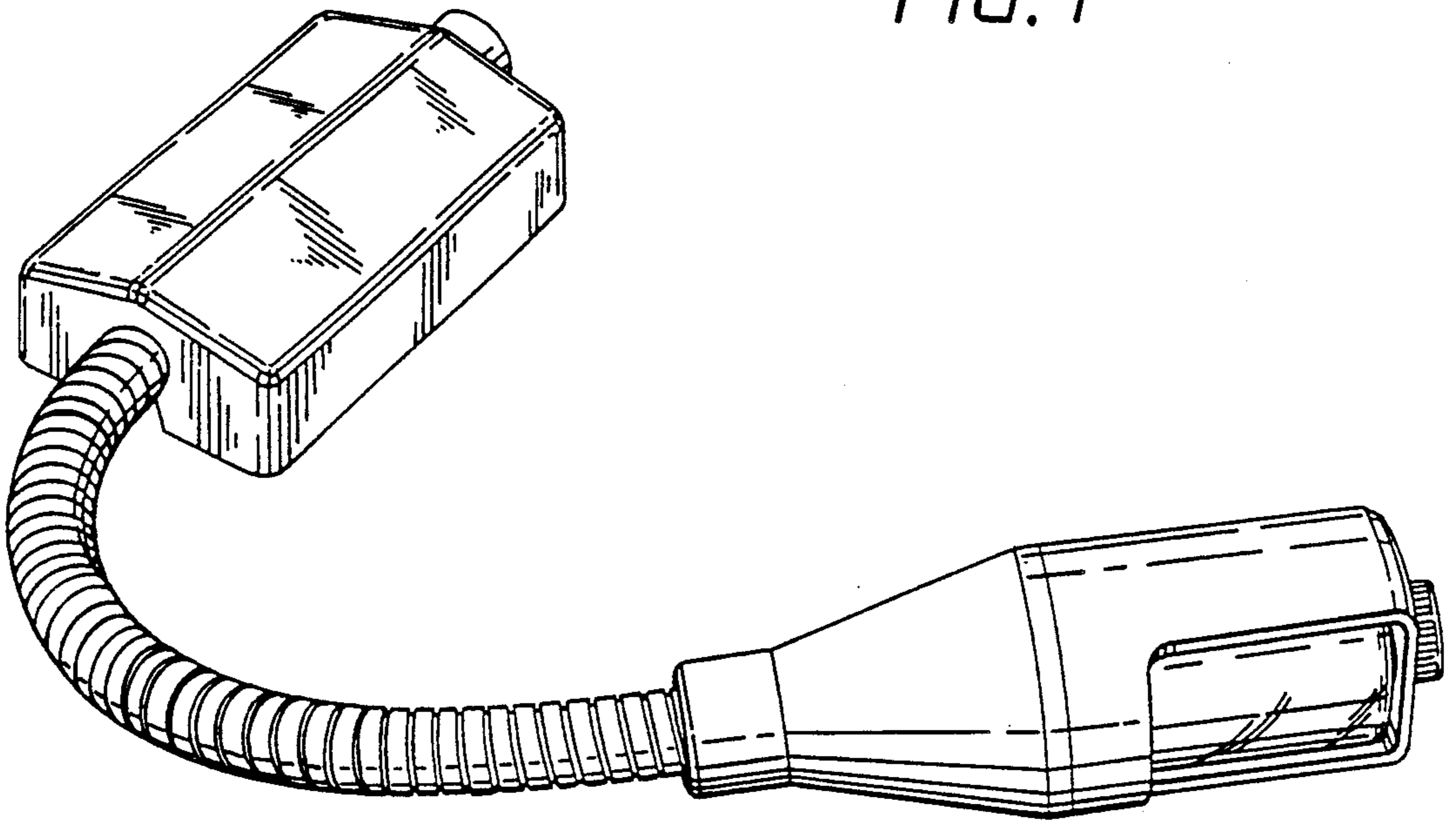


FIG. 2

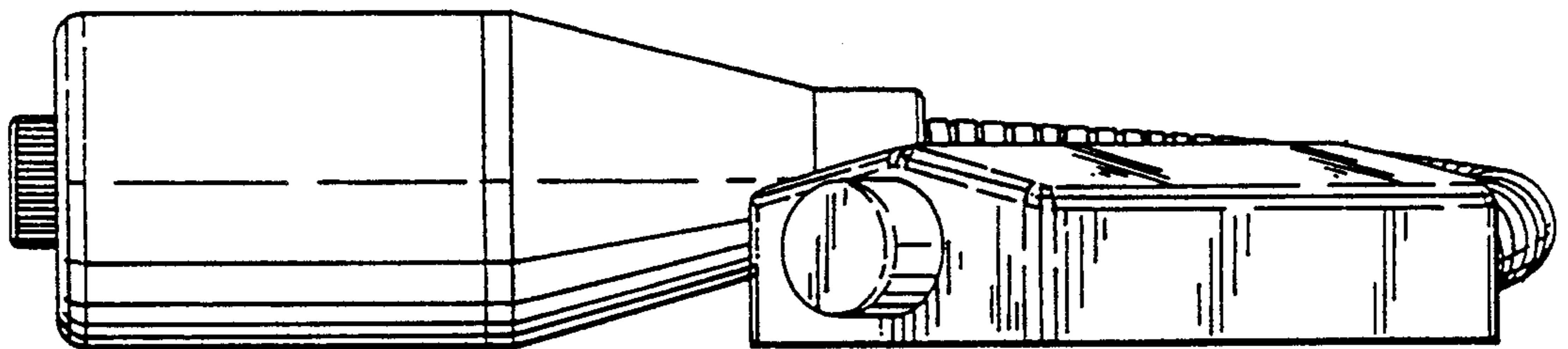


FIG. 3

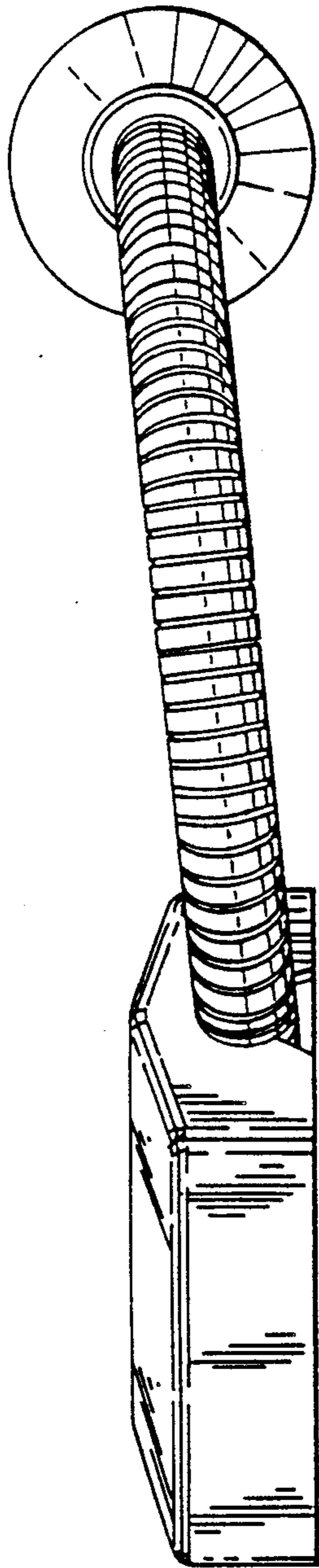


FIG. 4

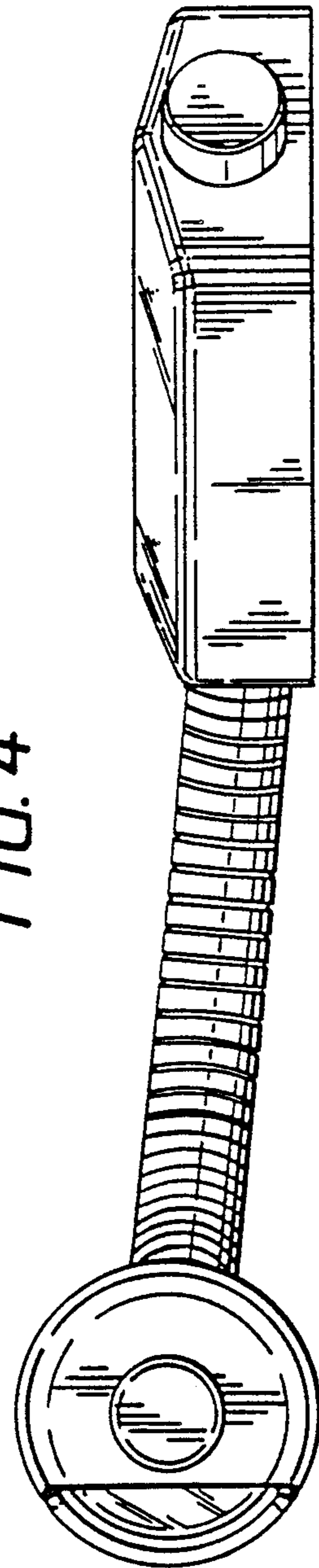


FIG. 5

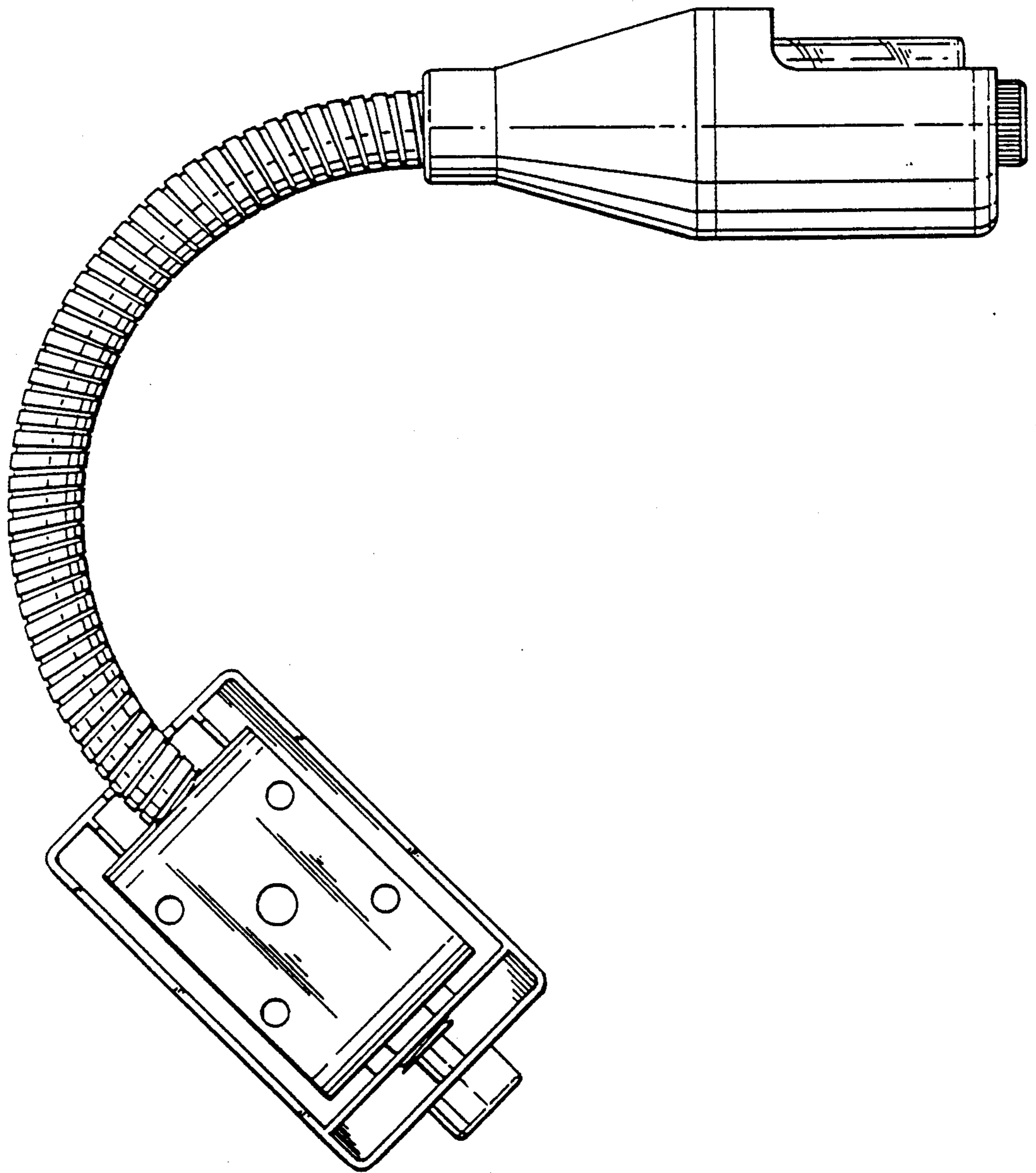


FIG. 6

