

[54] AUXILIARY VEHICLE STOP LIGHT

[75] Inventors: Naoki Matsumura; Tsutomu Machida; Toshiyasu Mochizuki, all of Shizuoka, Japan

[73] Assignee: Koito Seisakusho Co., Ltd., Shizuoka, Japan

[**] Term: 14 Years

[21] Appl. No.: 326,123

[22] Filed: Mar. 20, 1989

[30] Foreign Application Priority Data

Sep. 19, 1988 [JP] Japan 63-36827

[52] U.S. Cl. D26/35

[58] Field of Search D26/28-36; D10/114; 362/61, 74, 80, 80.1, 80.2, 82, 83, 83.2, 83.3, 227, 235, 236, 238, 240, 241, 244, 246, 249, 800

[56] References Cited

U.S. PATENT DOCUMENTS

D. 304,694 11/1989 Goss D26/28
4,733,335 3/1988 Serizawa et al. 362/80
4,745,525 5/1988 Sheehy 362/80 X

FOREIGN PATENT DOCUMENTS

0098062 1/1984 European Pat. Off. 362/61
0120425 9/1981 Japan 362/61

Primary Examiner—Susan J. Lucas
Attorney, Agent, or Firm—Sughrue, Mion, Zinn,
Macpeak & Seas

[57] CLAIM

The ornamental design for auxiliary vehicle stop light, as shown and described.

DESCRIPTION

FIG. 1 is a top plan view of auxiliary vehicle stop light, showing our design;
FIG. 2 is a front elevational view thereof;
FIG. 3 is a bottom plan view thereof;
FIG. 4 is a rear elevational view thereof;
FIG. 5 is a right side elevational view thereof;
FIG. 6 is a top, front perspective view thereof;
FIG. 7 is an enlarged, fragmentary top plan view of the portion of the lamp enclosed by lines 7—7 in FIG. 1;
FIG. 8 is an enlarged cross-sectional view as taken on line 8—8 of FIG. 7;
FIG. 9 is an enlarged cross-sectional view thereof as taken along line 9—9 of FIG. 2.



FIG. 1

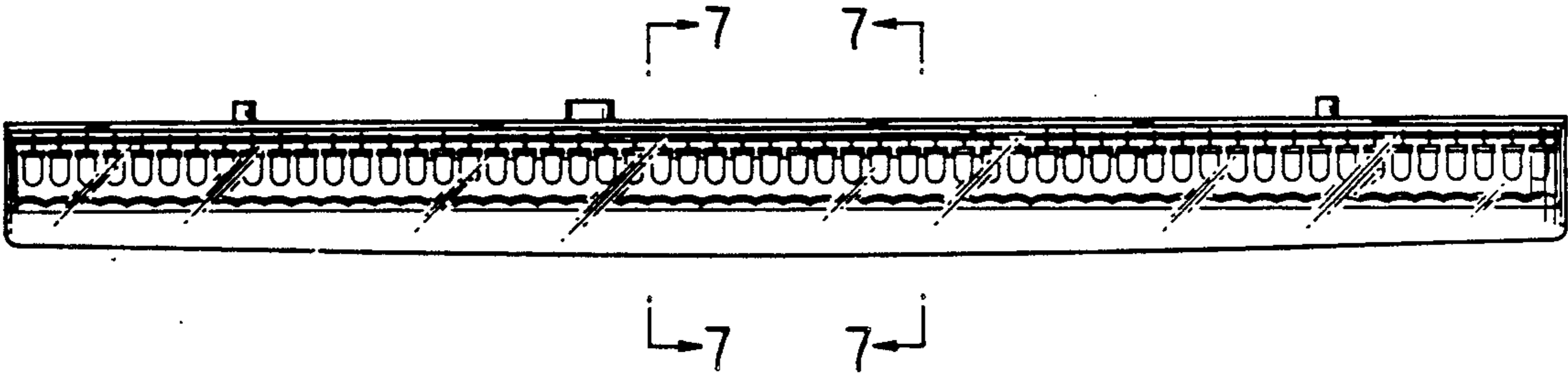


FIG. 2

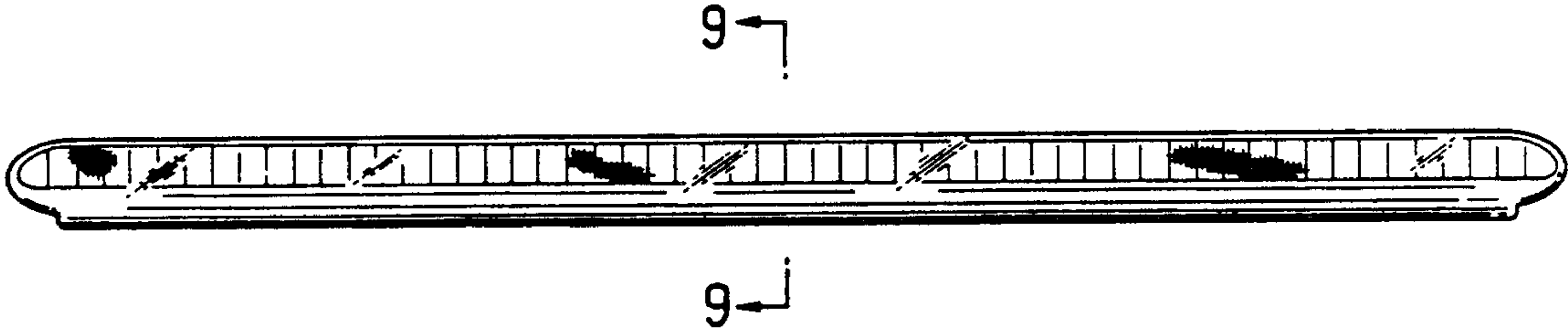


FIG. 3

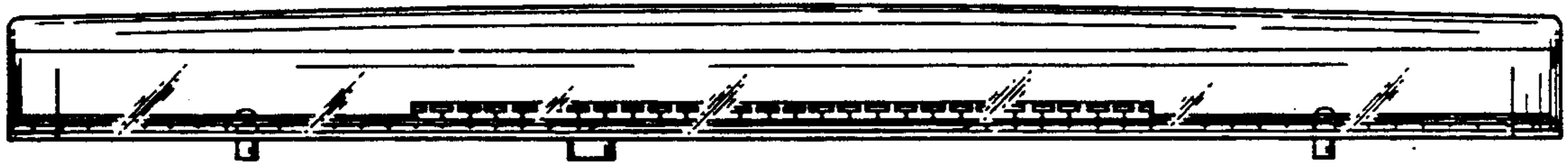


FIG. 4



FIG. 5



FIG. 9

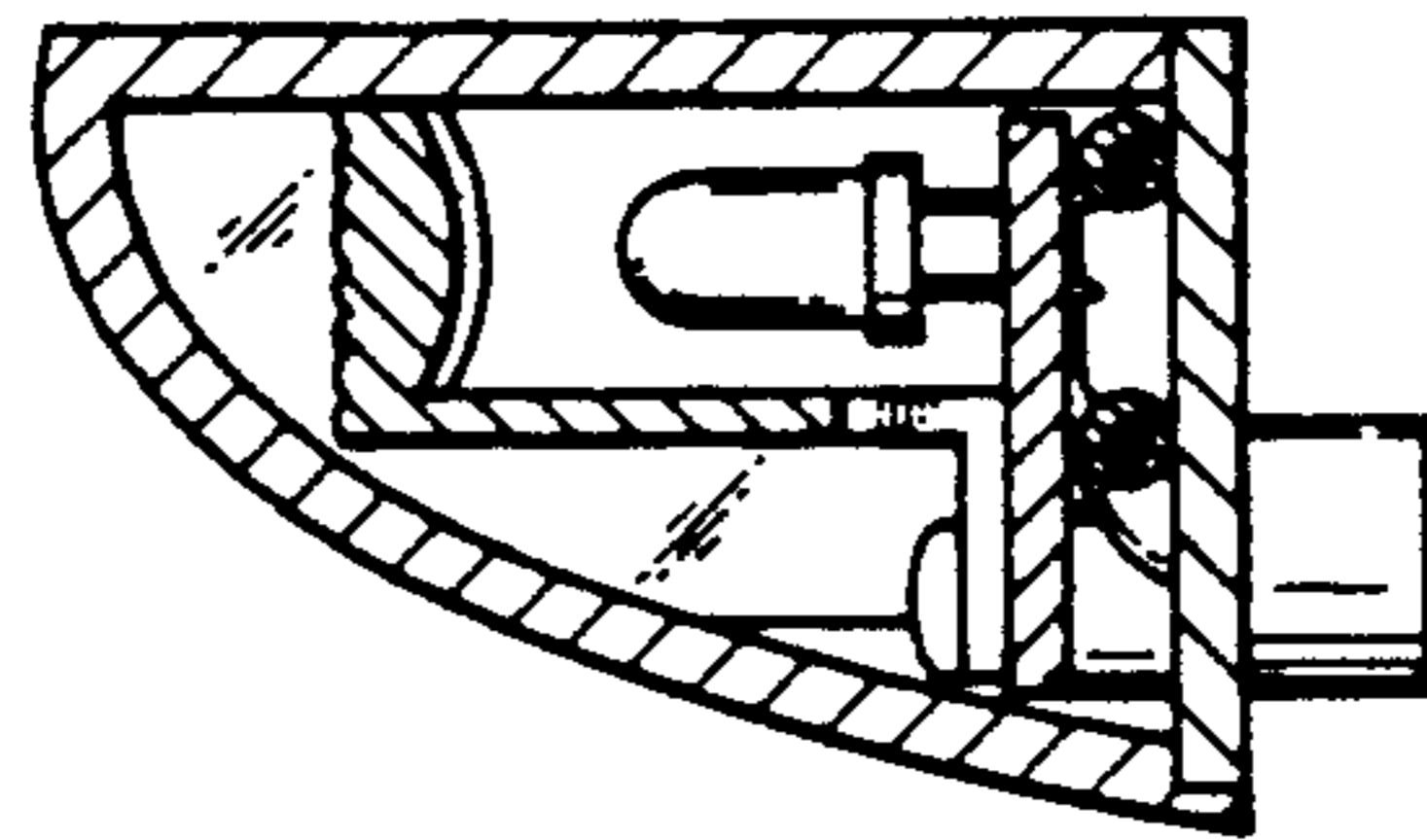


FIG. 6

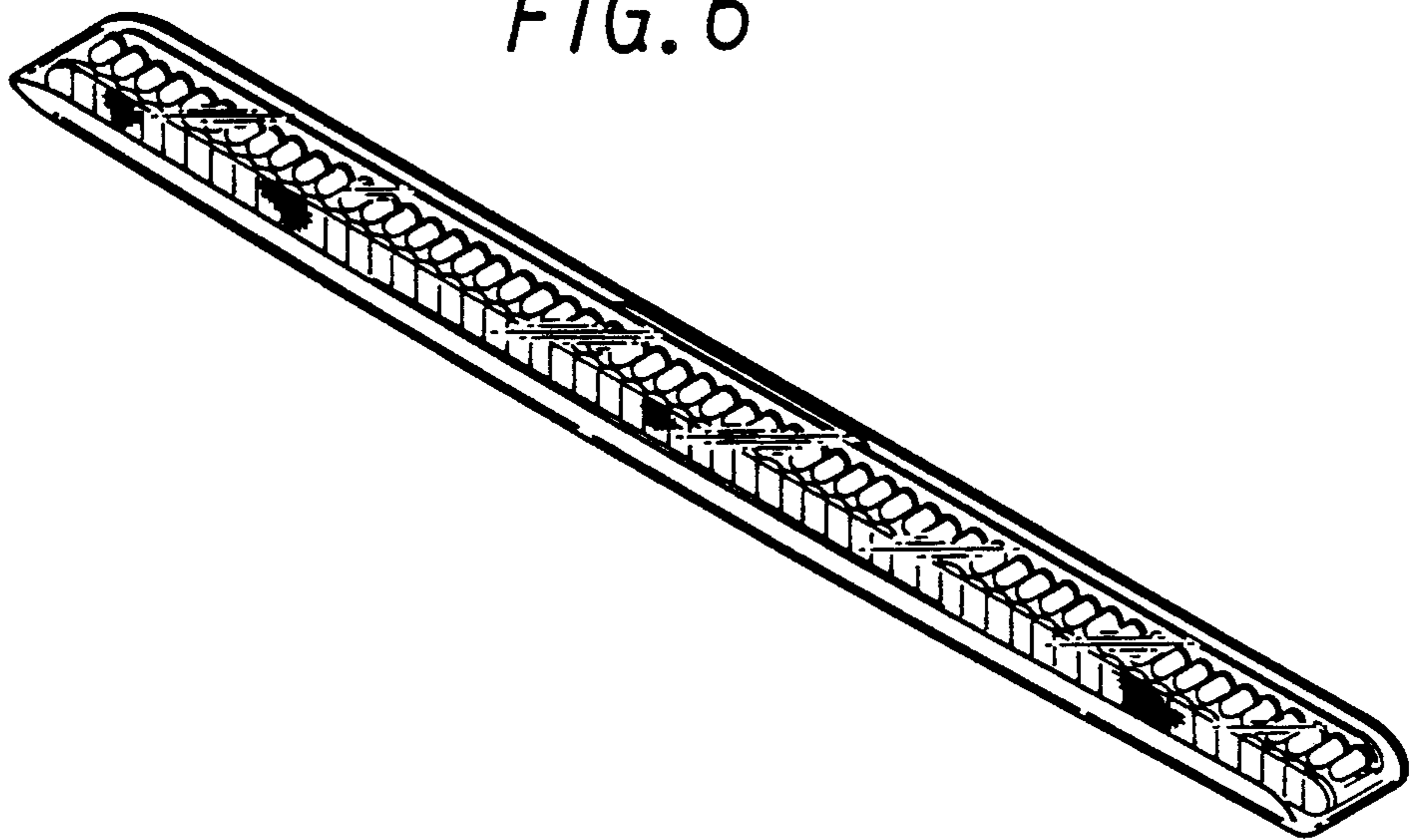


FIG. 7

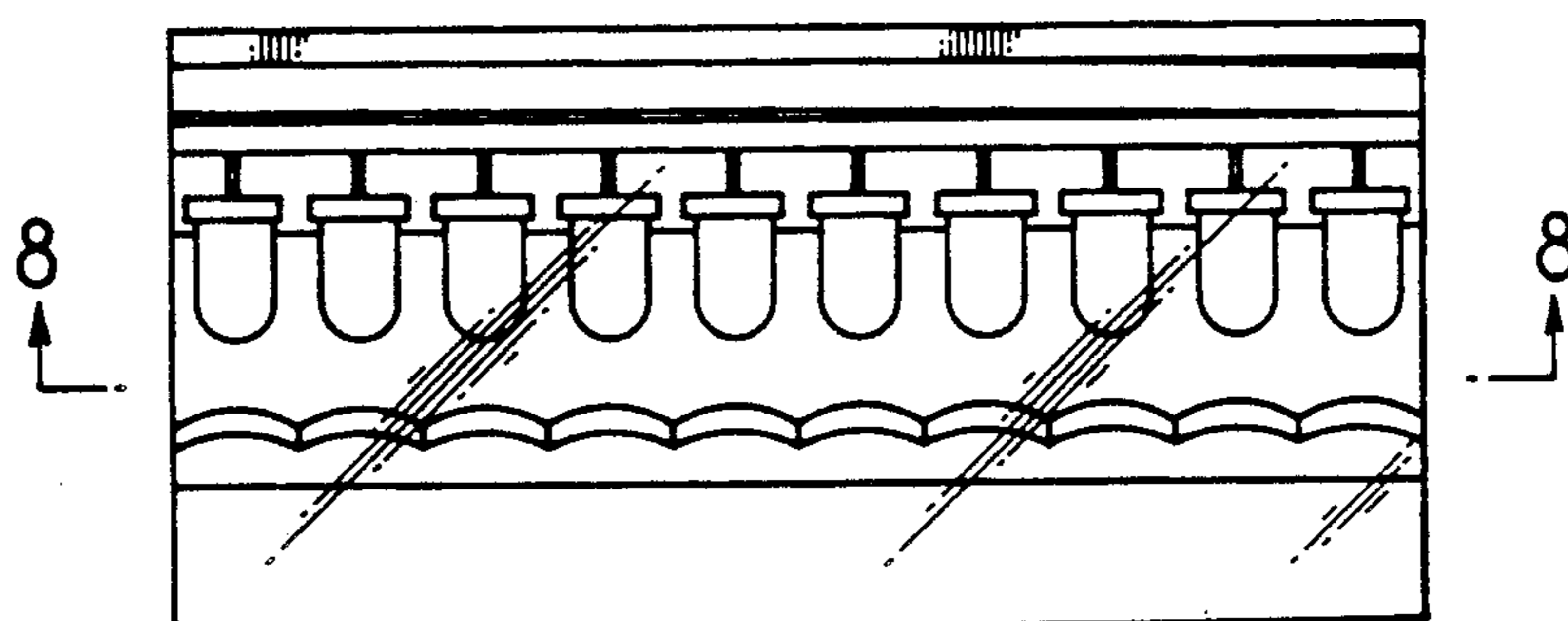


FIG. 8

