

[54] LAMP FOR A BICYCLE
 [75] Inventor: Takashi Ueda, Izumi, Japan
 [73] Assignee: Cat Eye Co., Ltd., Osaka, Japan
 [**] Term: 14 Years
 [21] Appl. No.: 324,625
 [22] Filed: Mar. 17, 1989

[30] Foreign Application Priority Data
 Sep. 21, 1988 [JP] Japan 63-37338
 [52] U.S. Cl. D26/28; D26/37
 [58] Field of Search D26/28-35,
 D26/37, 38, 40, 46, 49; 362/72, 157, 158, 183,
 189, 191, 192, 193, 194, 196, 200-206, 208

[56] References Cited
 U.S. PATENT DOCUMENTS
 D. 226,218 1/1973 Angibaud D26/37

D. 275,423 9/1984 Stansbury, Jr. et al. D26/37 X
 D. 295,324 4/1988 Drane D26/28 X

Primary Examiner—Susan J. Lucas
 Attorney, Agent, or Firm—Allegretti & Witcoff, Ltd.

[57] CLAIM

The ornamental design for a lamp for a bicycle, as shown and described.

DESCRIPTION

FIG. 1 is a front elevational view of a lamp for a bicycle showing my new design;
 FIG. 2 is a rear elevational view thereof;
 FIG. 3 is a top plan view thereof;
 FIG. 4 is a bottom plan view thereof;
 FIG. 5 is a side elevational view thereof, the opposite side being a mirror image;
 FIG. 6 is a longitudinal cross sectional view thereof; and
 FIG. 7 is a front perspective view thereof.

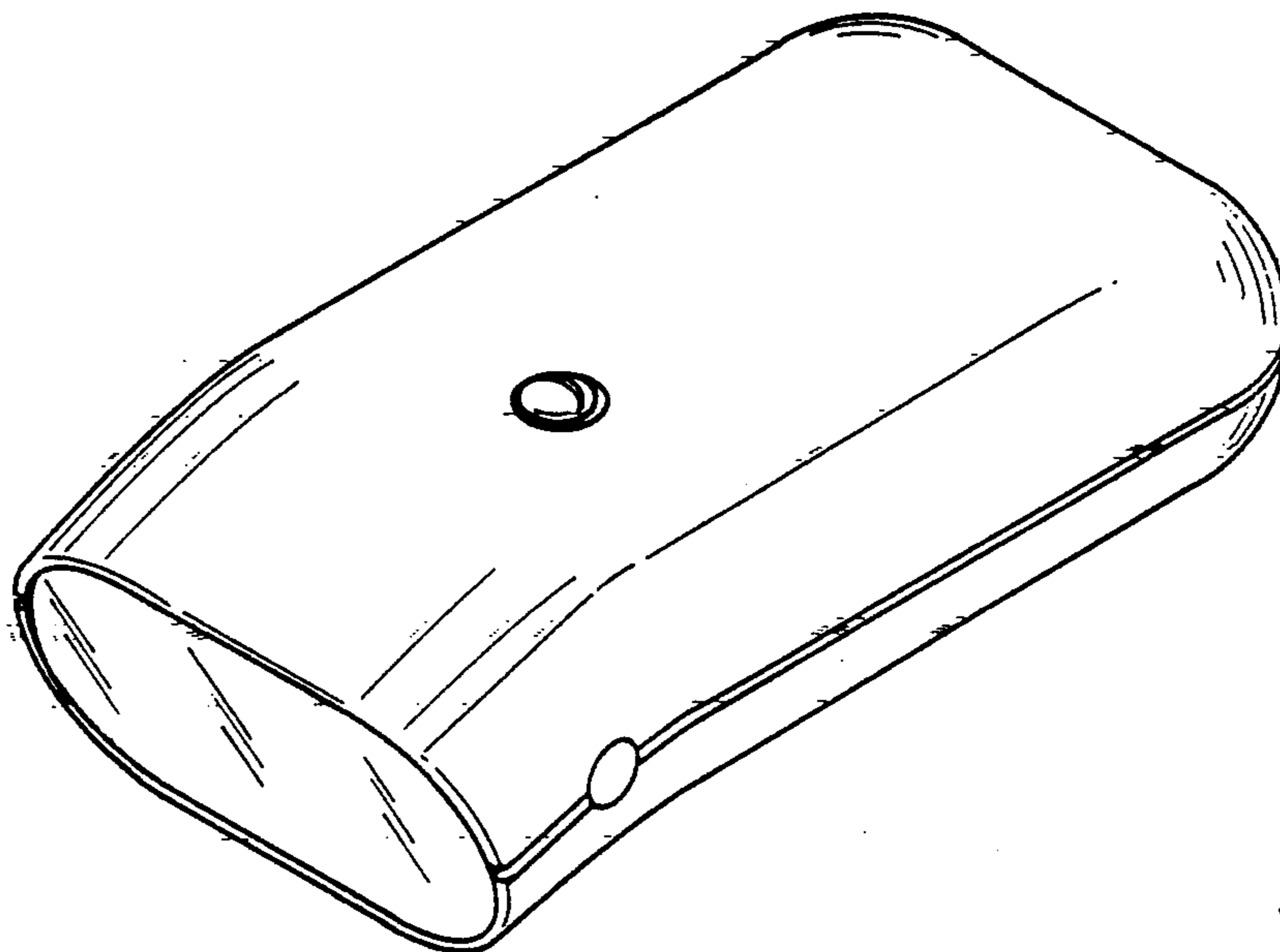
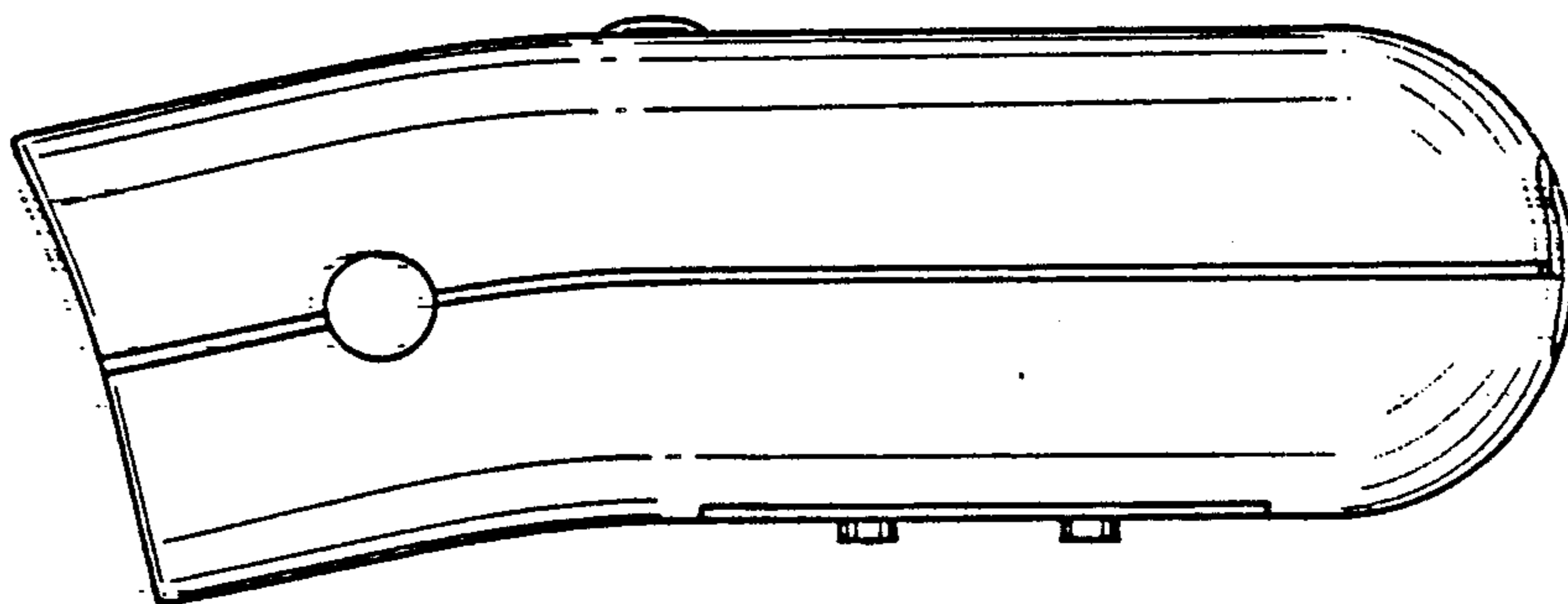


FIG. 5

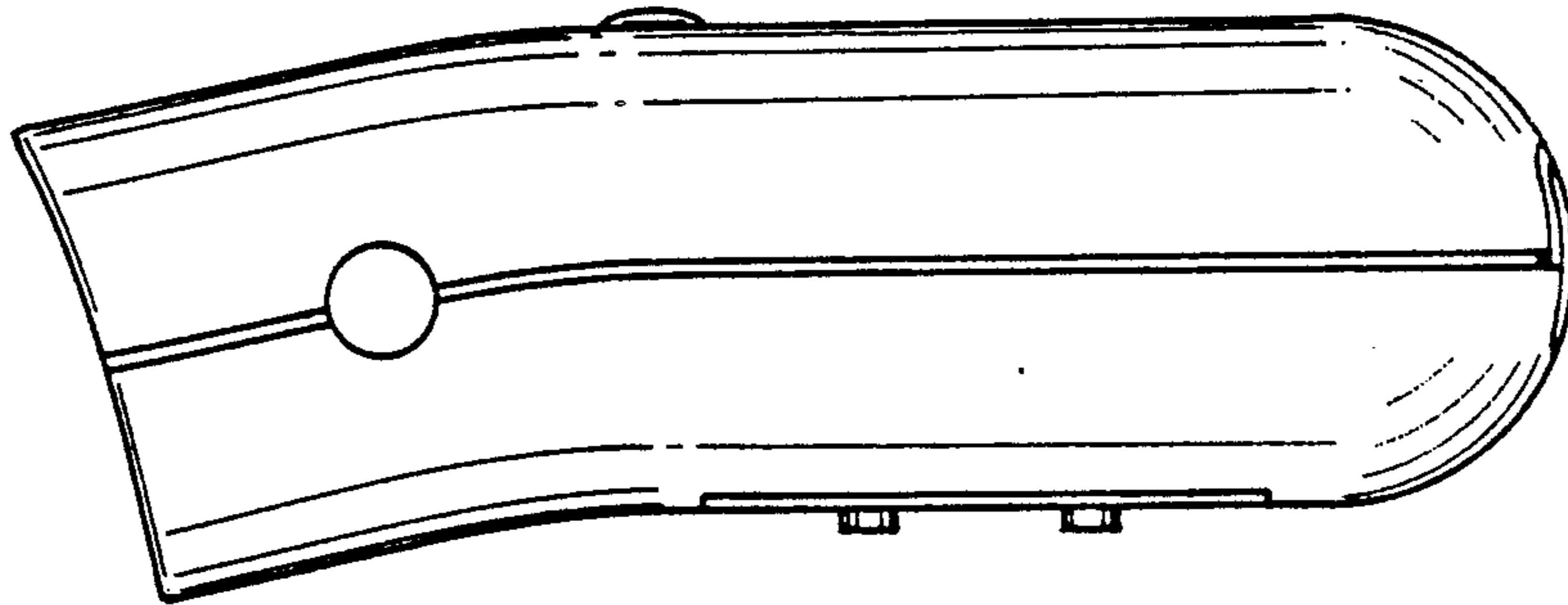


FIG. 6

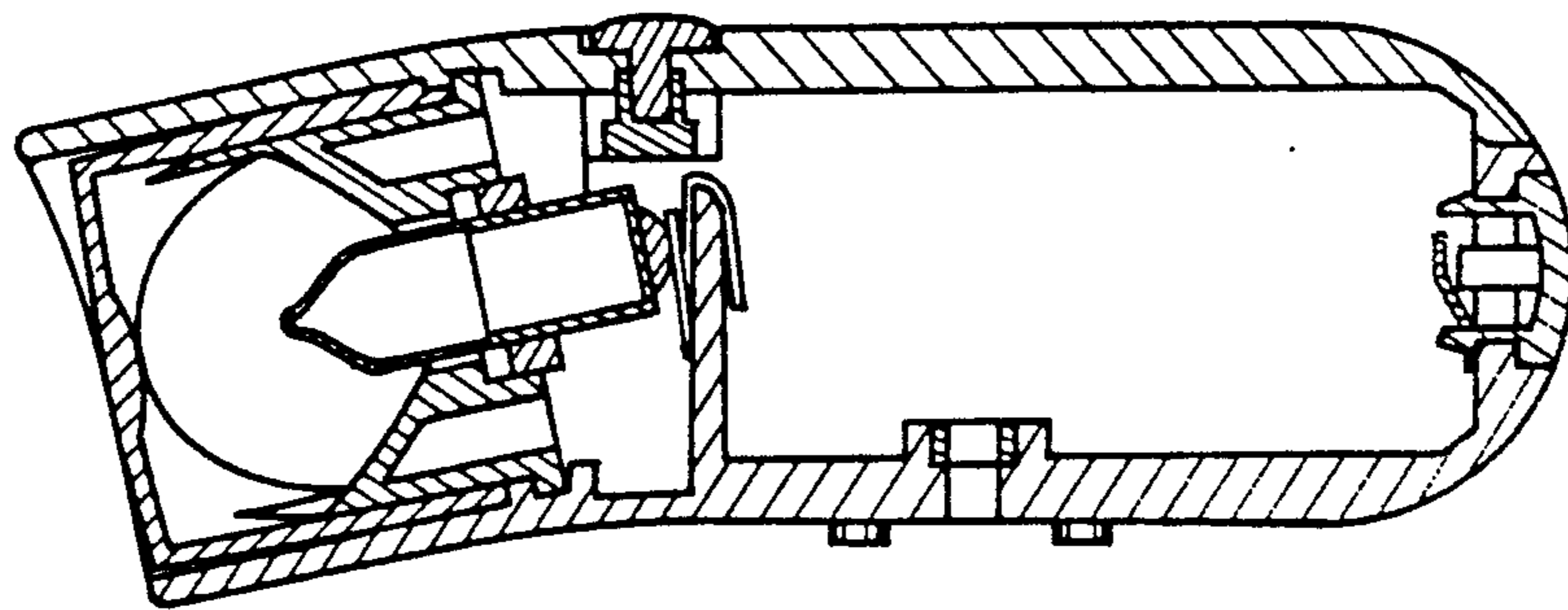


FIG. 7

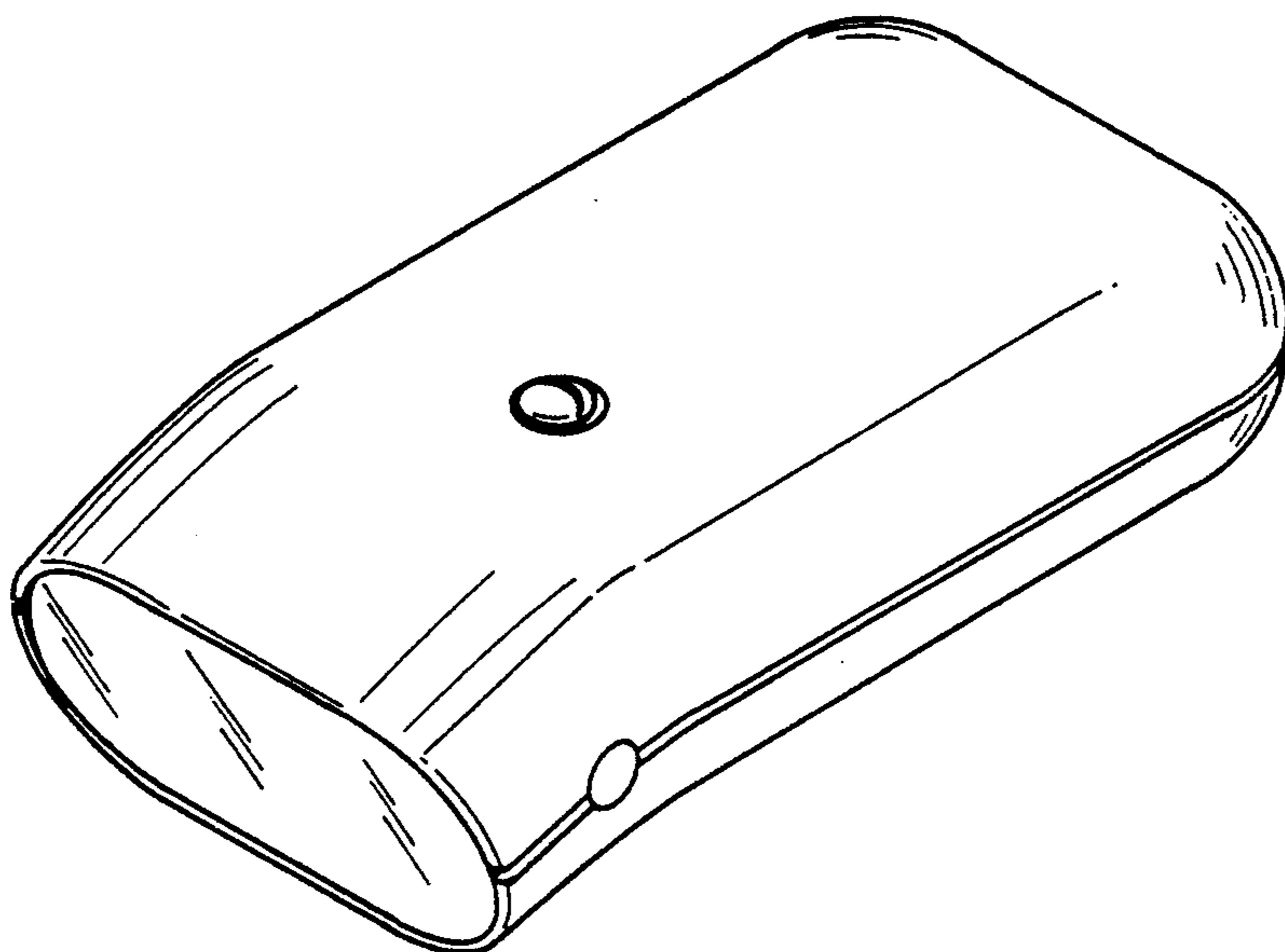


FIG. 1

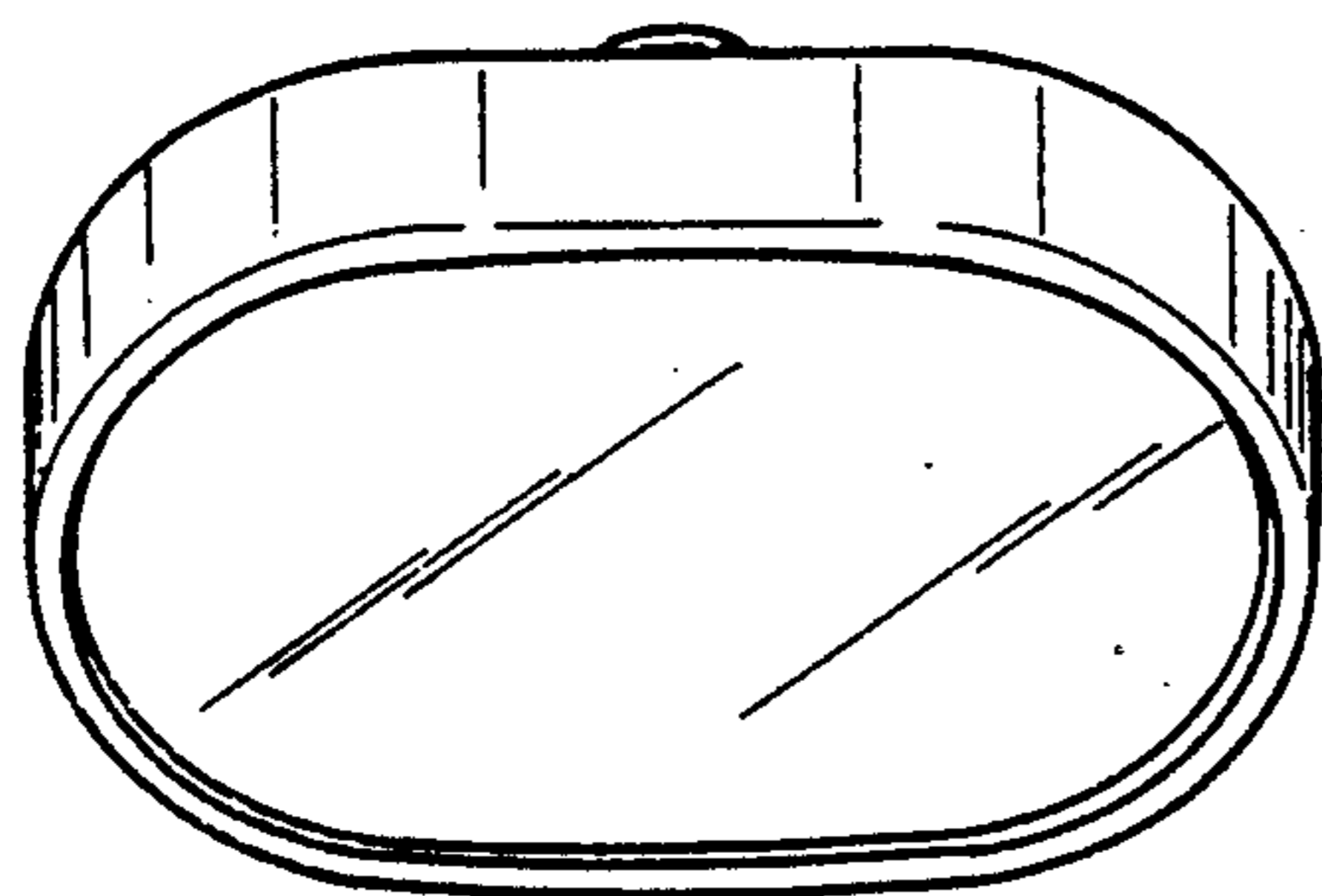


FIG. 2

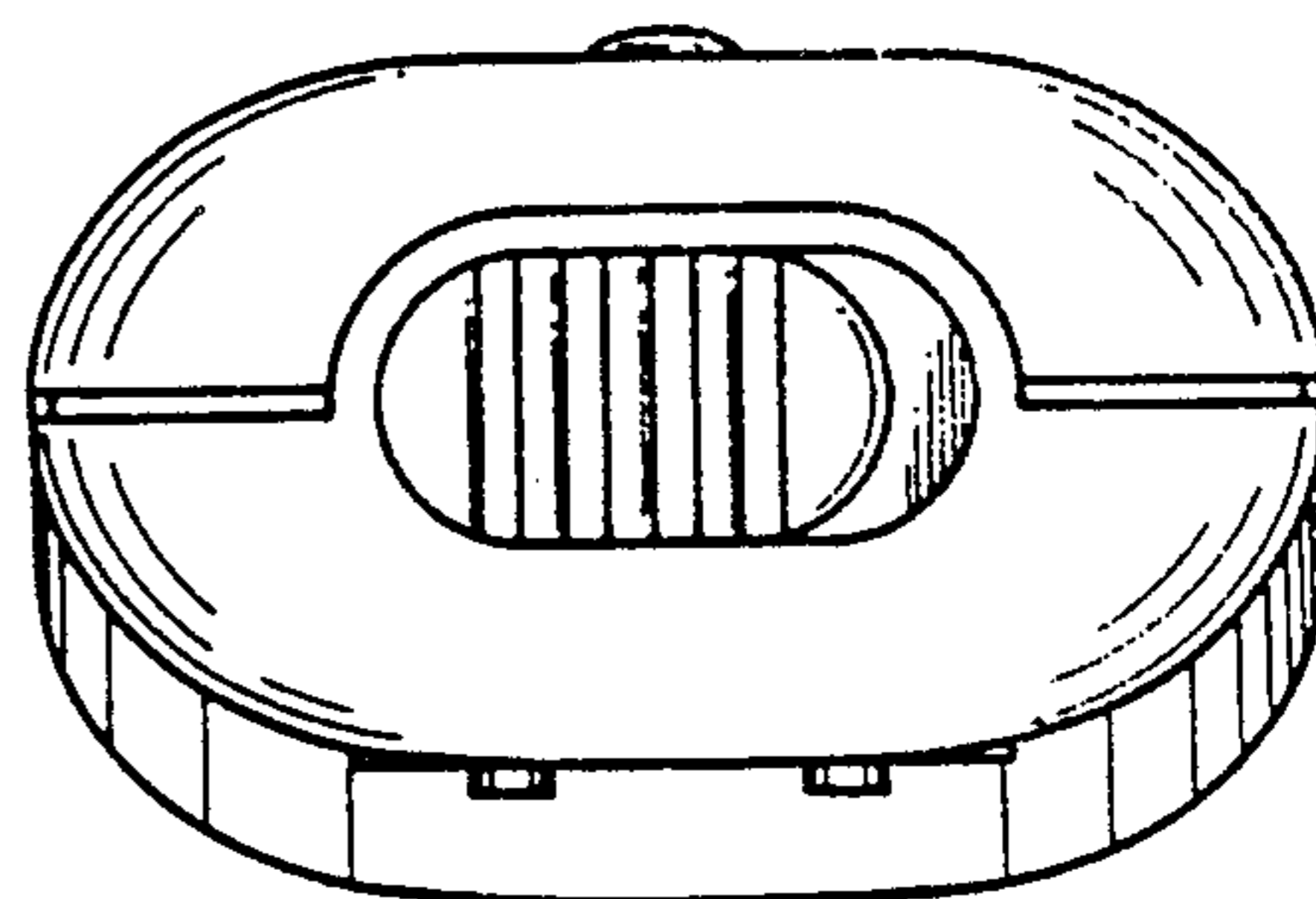


FIG. 3

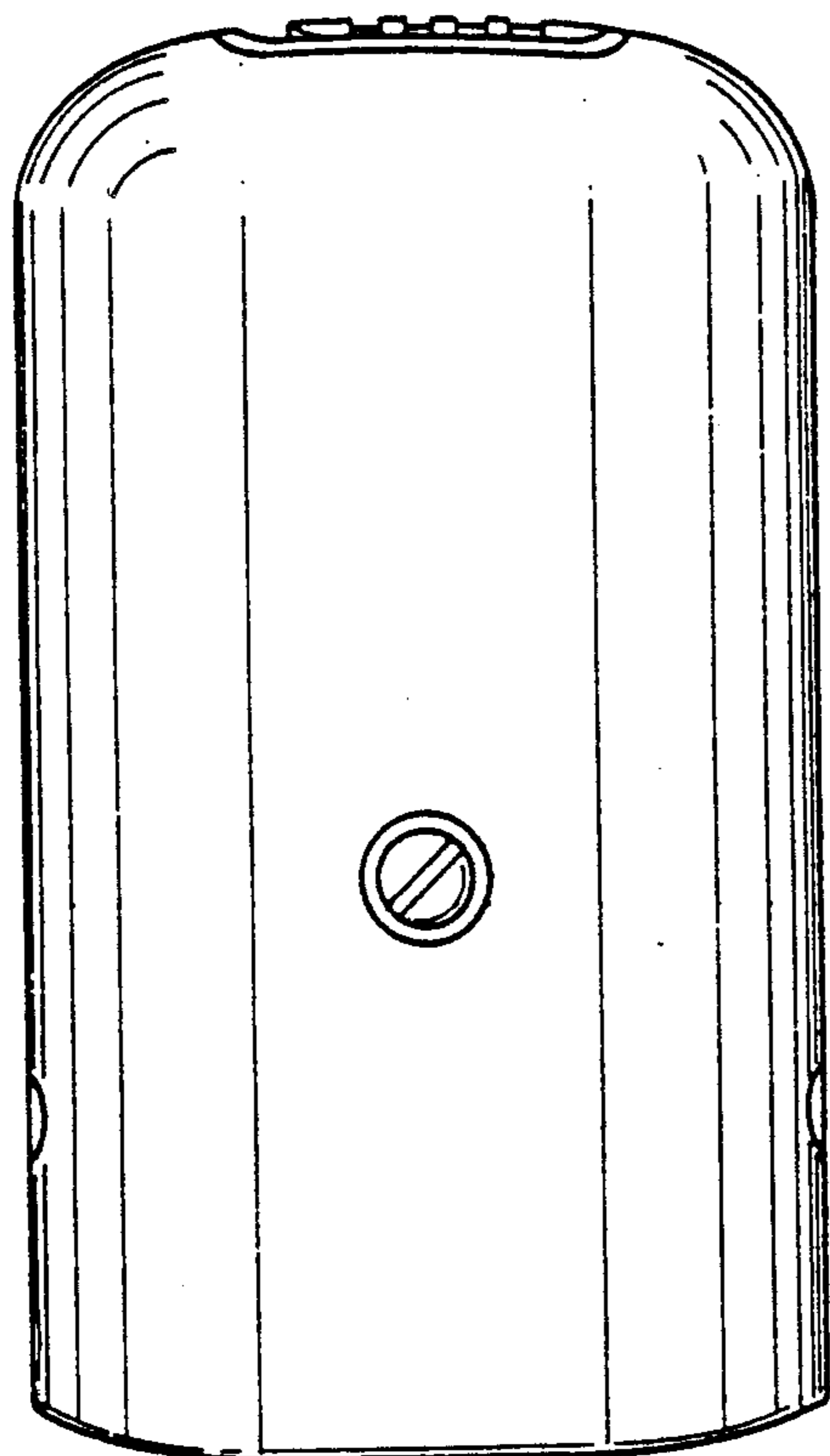


FIG. 4

