

- [54] EXTRUDED MASTER FRAME WINDOW SILL
- [76] Inventor: Leon F. Slocomb, Jr., 2641 W. Robino Dr., Wilmington, Del. 19808
- [**] Term: 14 Years
- [21] Appl. No.: 396,028
- [22] Filed: Aug. 21, 1989
- [52] U.S. Cl. D25/124
- [58] Field of Search D25/60, 47, 52, 53, D25/119, 122, 124; 49/501, 502, 504, DIG. 122

D. 299,970 2/1989 Hardy D25/124
4,831,781 5/1989 Morton 49/504

Primary Examiner—Louis S. Zarfes
Assistant Examiner—Doris Clark
Attorney, Agent, or Firm—Connolly & Hutz

[57] CLAIM

The ornamental design for an extruded master frame window sill, as shown.

DESCRIPTION

FIG. 1 is an end elevational view of an extruded master frame window sill showing my new design; FIG. 2 is a rear elevational view thereof; FIG. 3 is a front elevational view thereof; FIG. 4 is a top plan view thereof; FIG. 5 is a bottom plan view thereof; and FIG. 6 is a perspective view thereof.

[56] References Cited

U.S. PATENT DOCUMENTS

- D. 261,314 10/1981 Schmidt D25/124
D. 286,197 10/1986 Bancroft D25/119

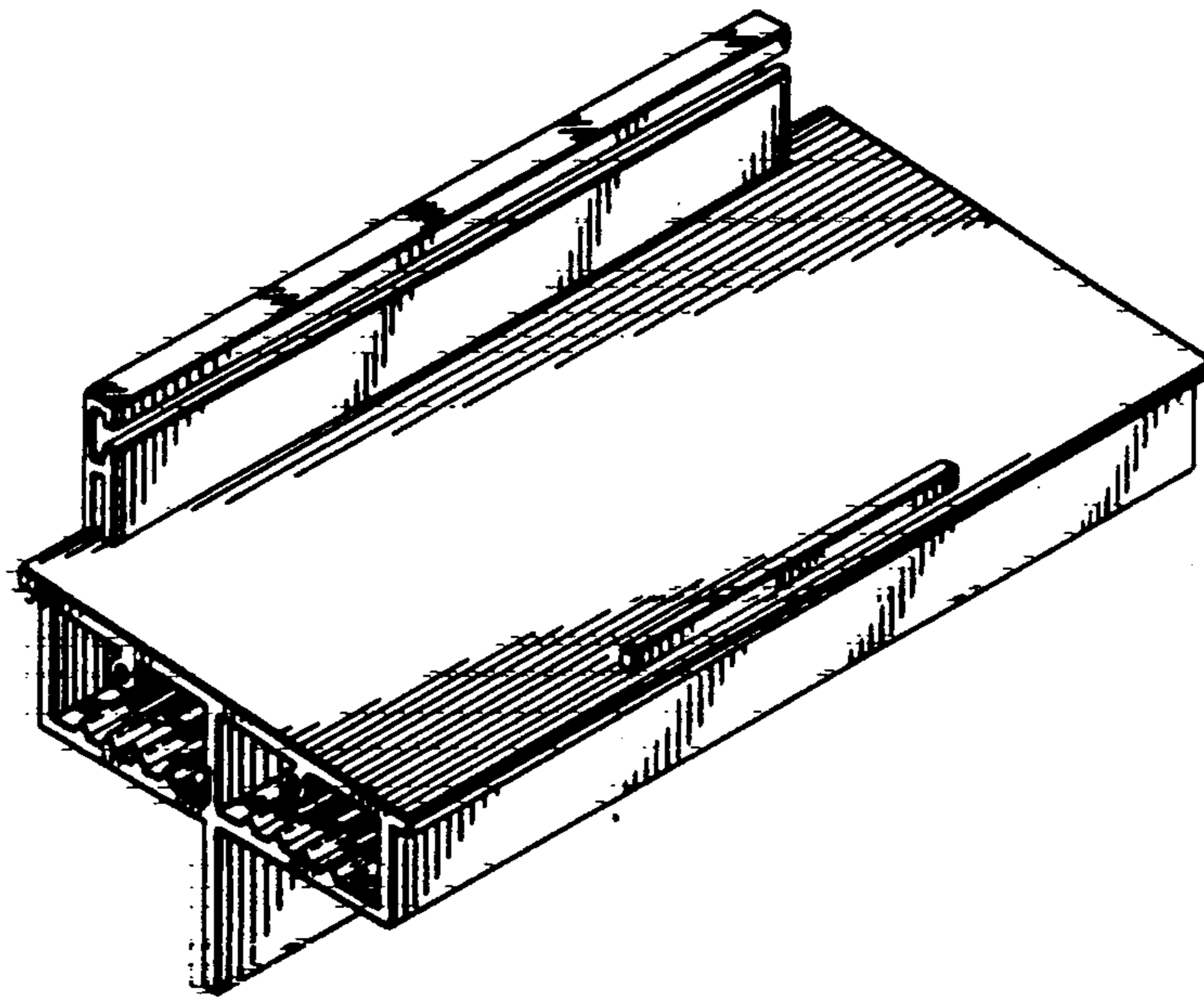


Fig. 4.

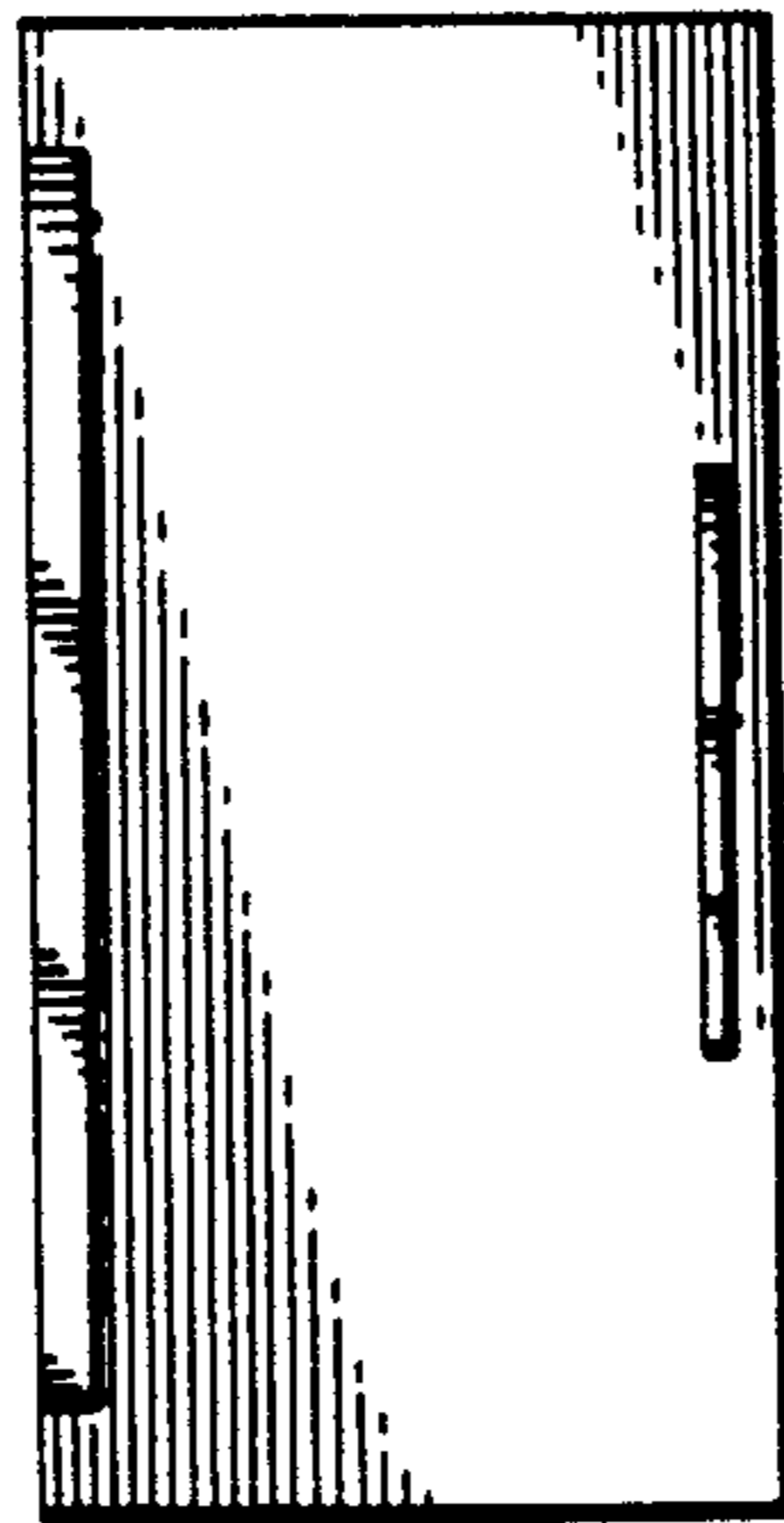


Fig. 2.

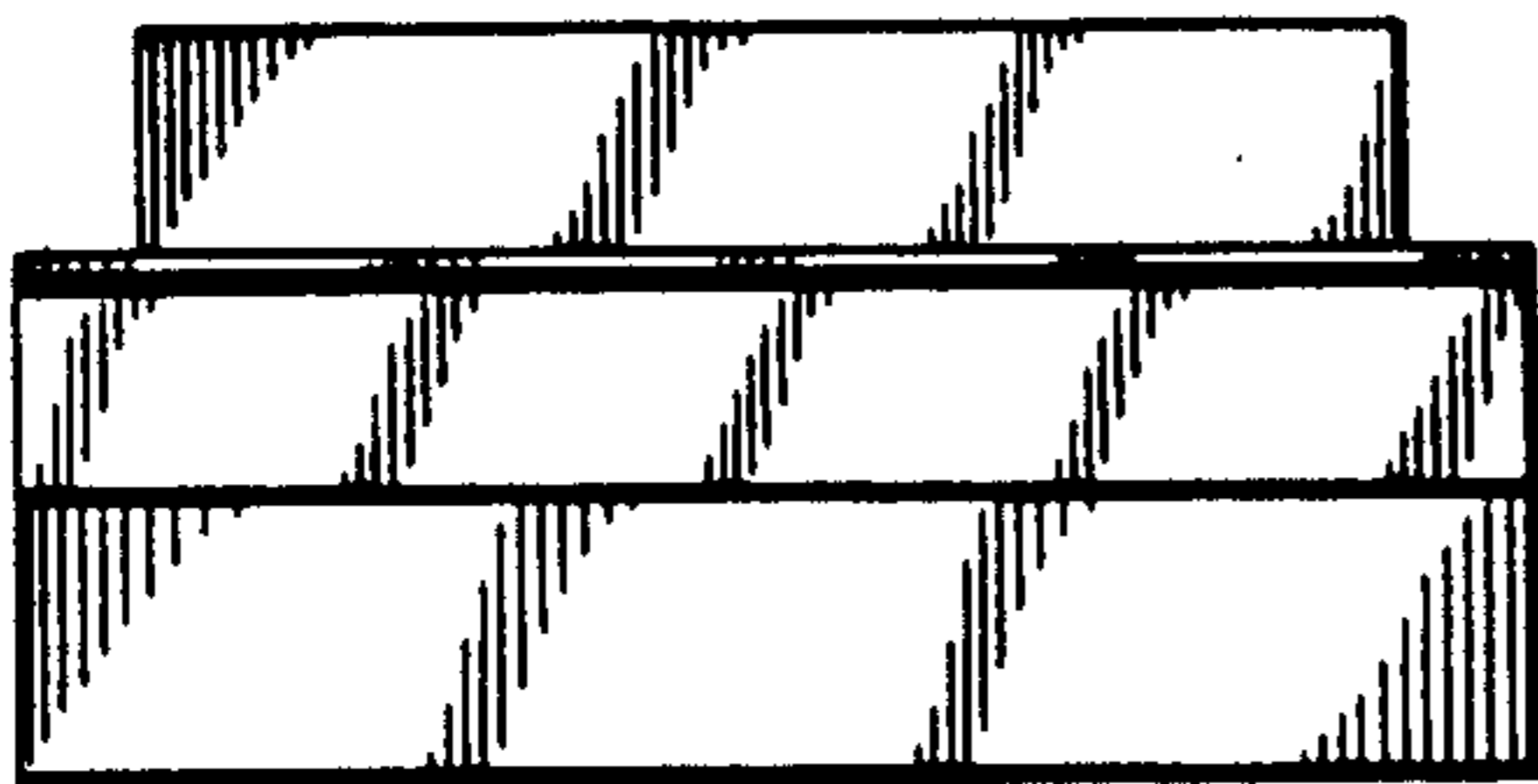


Fig. 1.

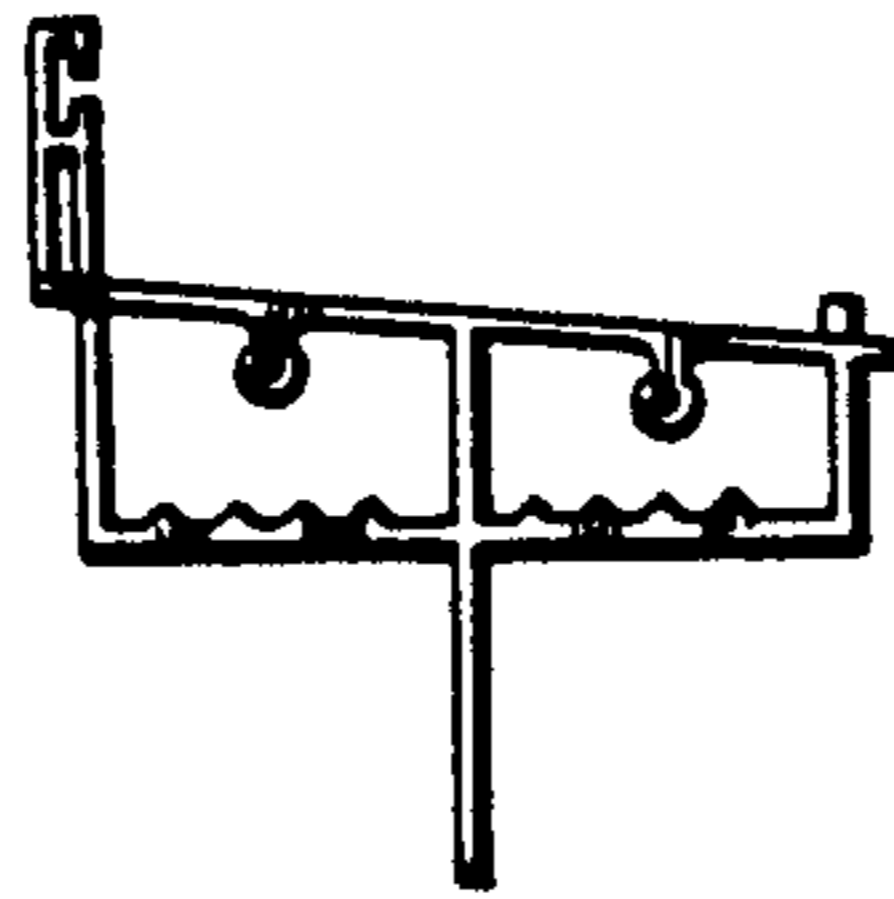


Fig. 3.

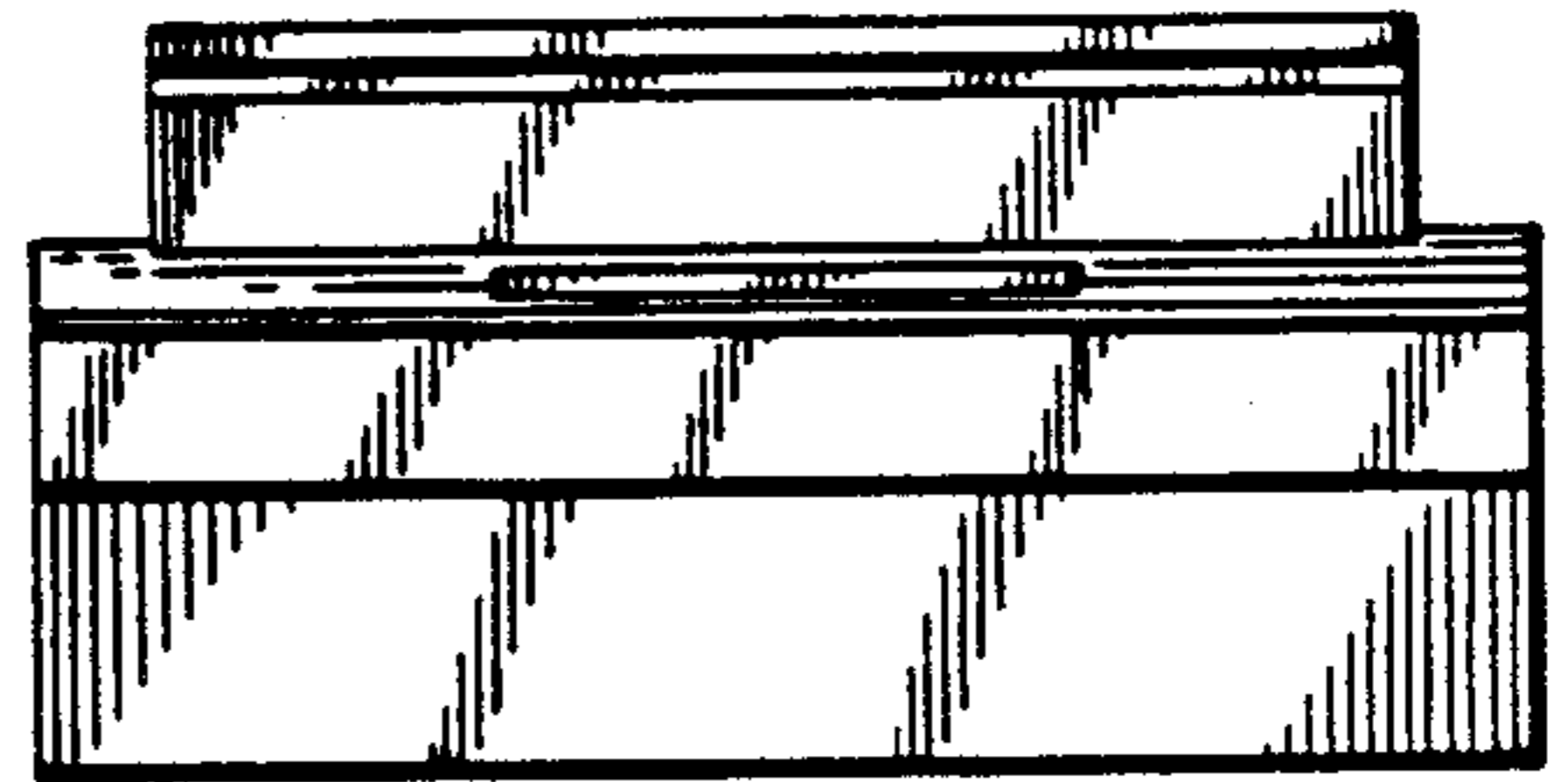


Fig. 5.

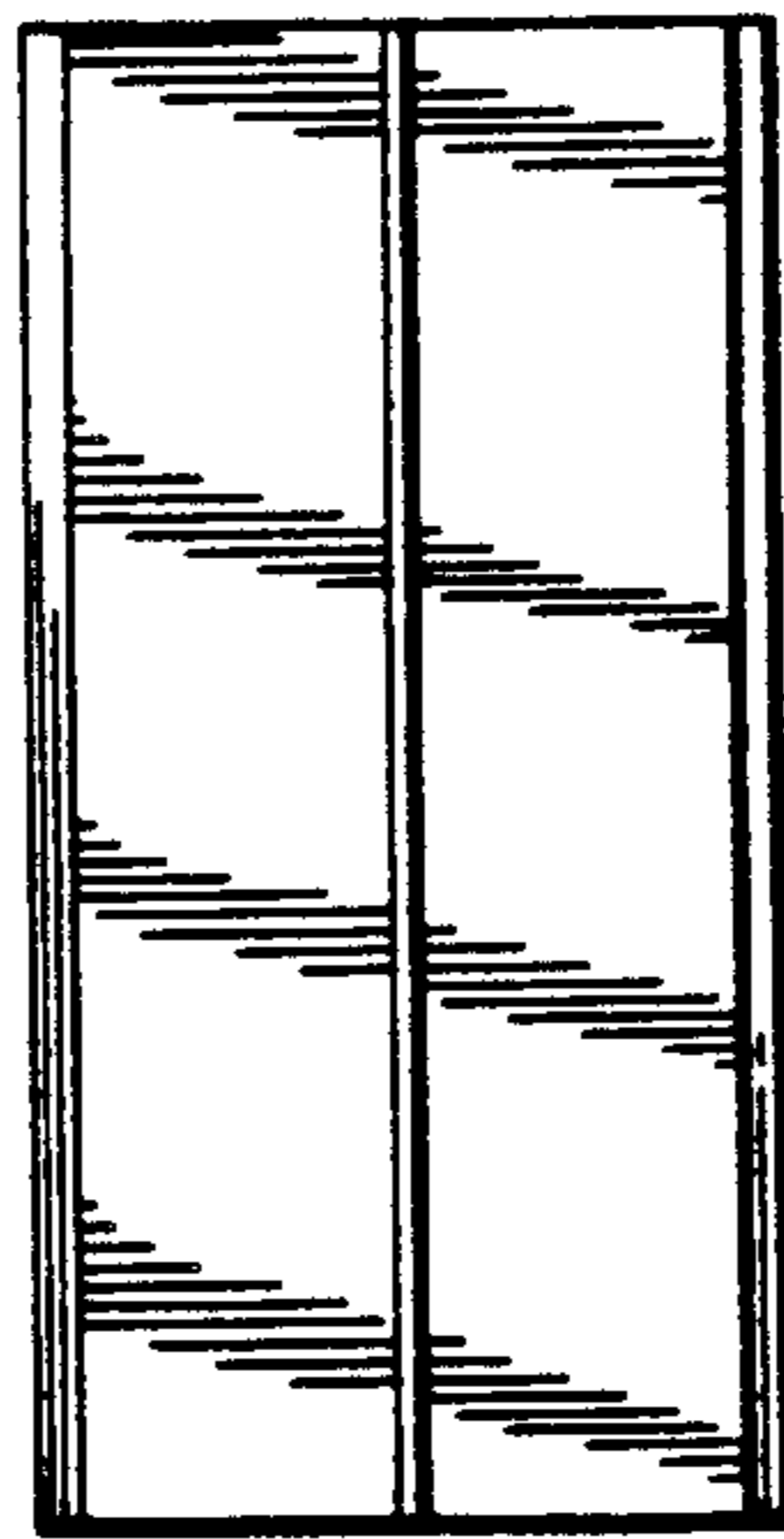


Fig. 6.

