

[54] AUTOMATIC DEODORIZER

[76] Inventor: Norman L. Blumanthal, Jr., 1243  
Cheyenne, Alliance, Nebr. 69301

[\*\*] Term: 14 Years

[21] Appl. No.: 357,490

[22] Filed: May 26, 1989

[52] U.S. Cl. .... D23/366

[58] Field of Search ..... D23/366; 55/387, 279;  
239/34, 274, 337; 422/5, 124; 219/273

[56] References Cited

U.S. PATENT DOCUMENTS

2,561,861	7/1951	Held .....	422/124
2,795,799	6/1957	Dickerman .....	239/274
3,273,756	9/1966	Levy et al. ....	422/124
3,286,883	11/1966	Takiff .....	239/274
3,318,489	5/1967	Graves .....	239/274

FOREIGN PATENT DOCUMENTS

2150652	4/1973	France .....	422/5
1250850	10/1971	United Kingdom .....	239/274

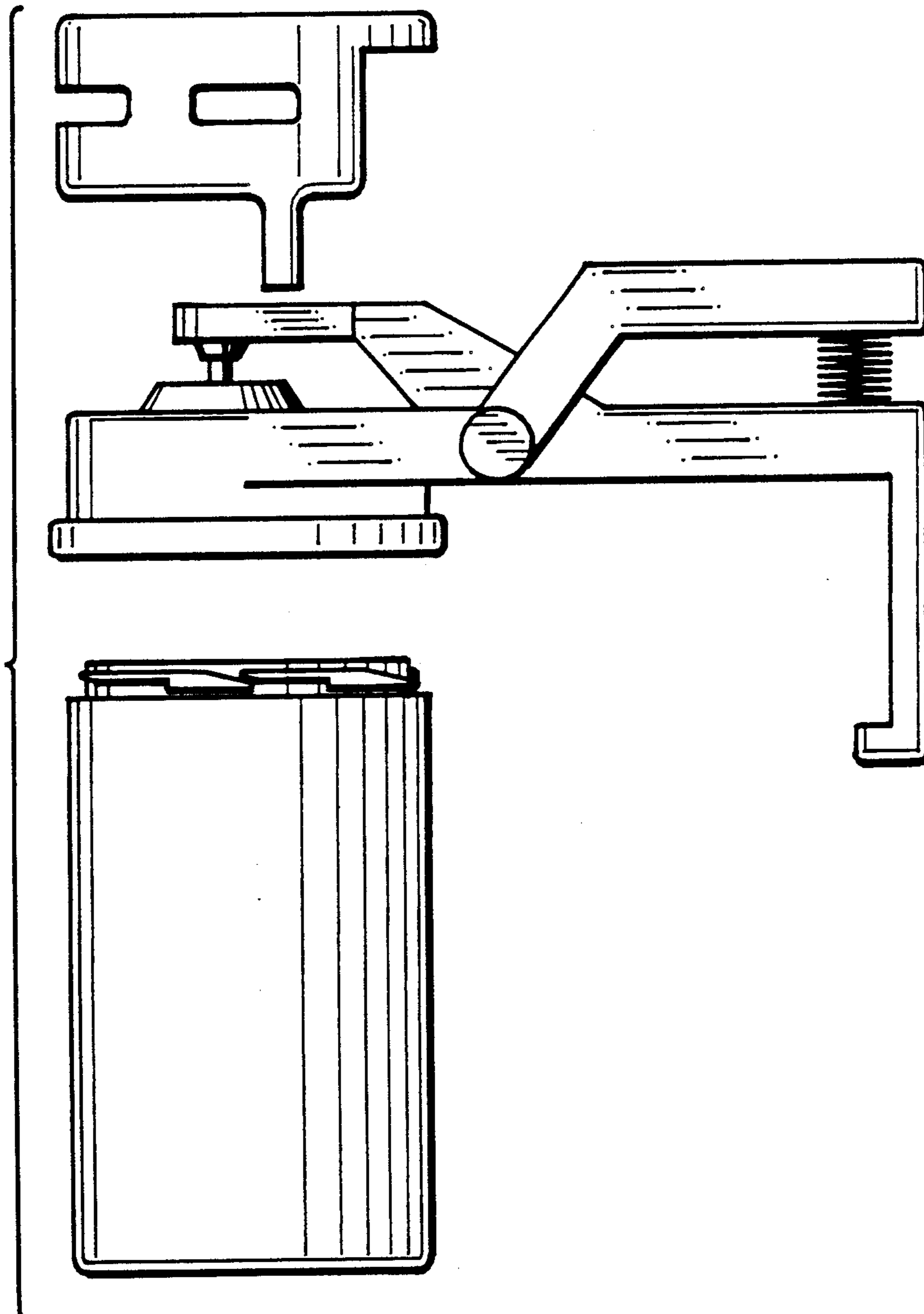
Primary Examiner—James M. Gandy  
Assistant Examiner—Lisa Lichtenstein  
Attorney, Agent, or Firm—Jerry T. Kearns

[57] CLAIM

The ornamental design for an automatic deodorizer, as shown.

DESCRIPTION

FIG. 1 is a front elevational view of an automatic deodorizer in exploded condition showing my new design; FIG. 2 is a rear elevational view thereof; FIG. 3 is a left side elevational view thereof; FIG. 4 is a right side elevational view thereof; FIG. 5 is a top plan view thereof; and, FIG. 6 is a bottom plan view thereof.



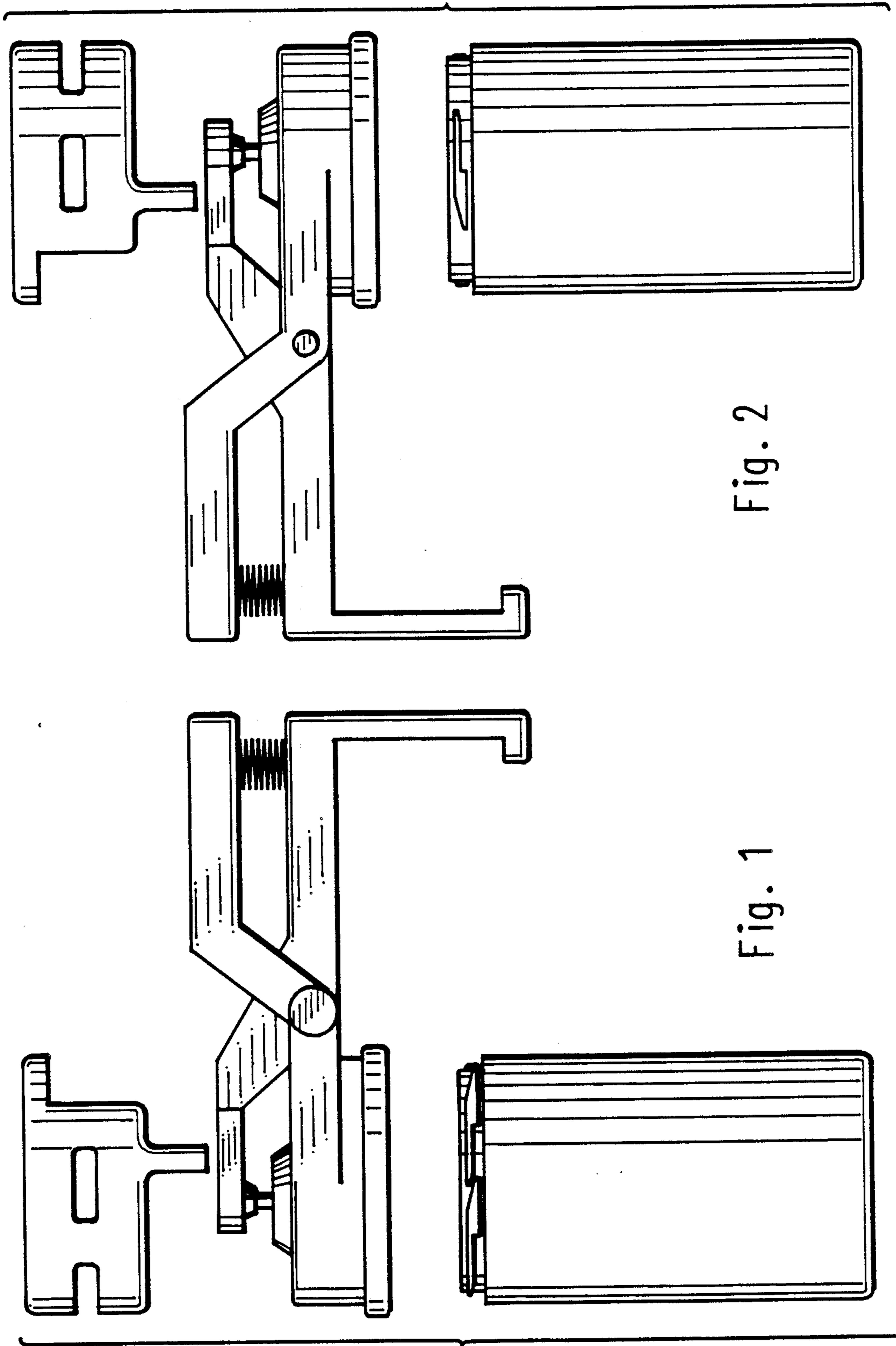


Fig. 2

Fig. 1

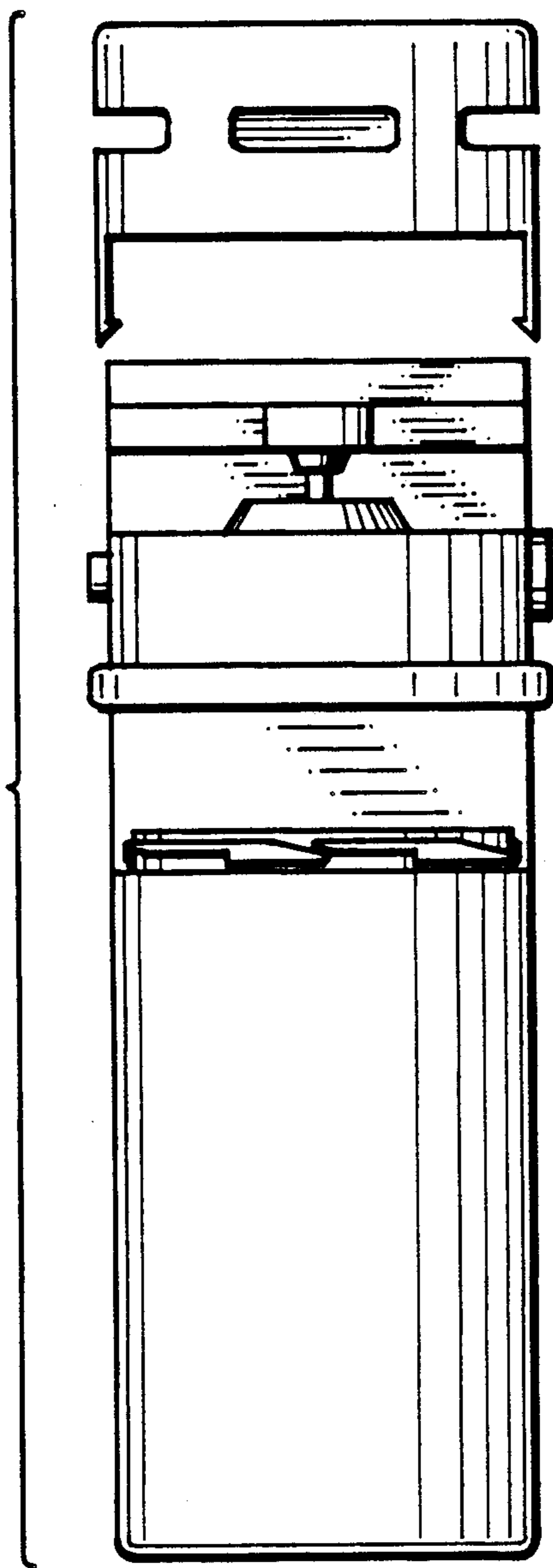


Fig. 3

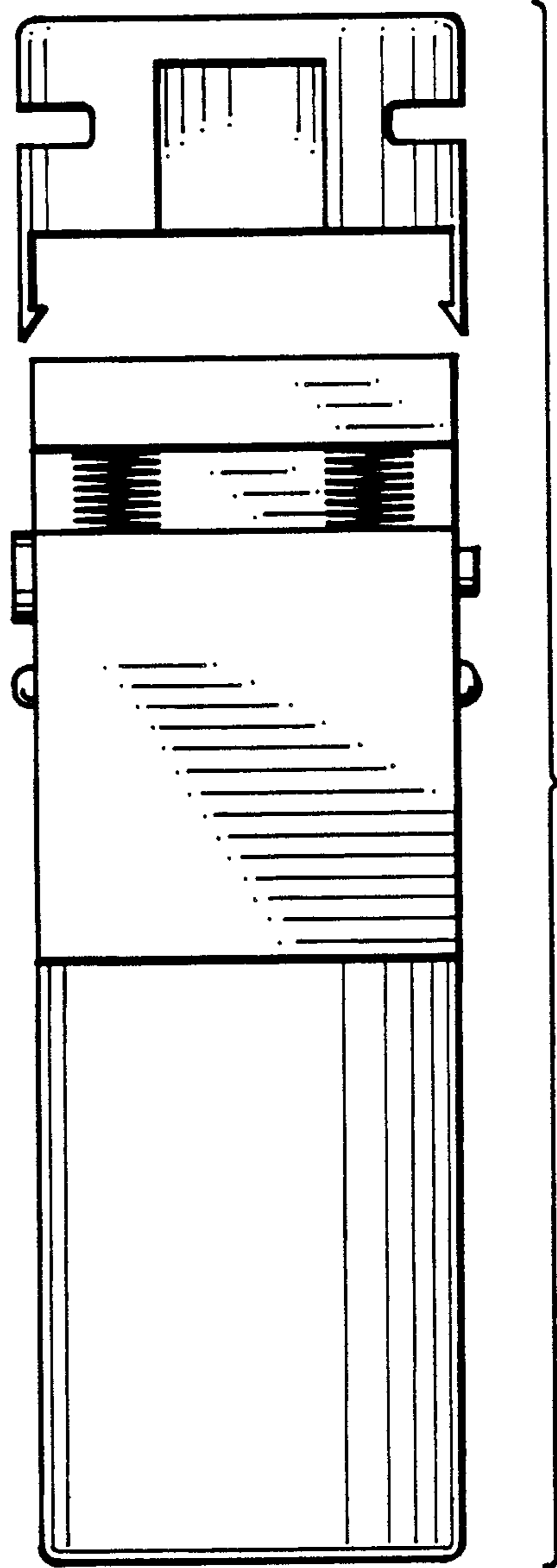


Fig. 4

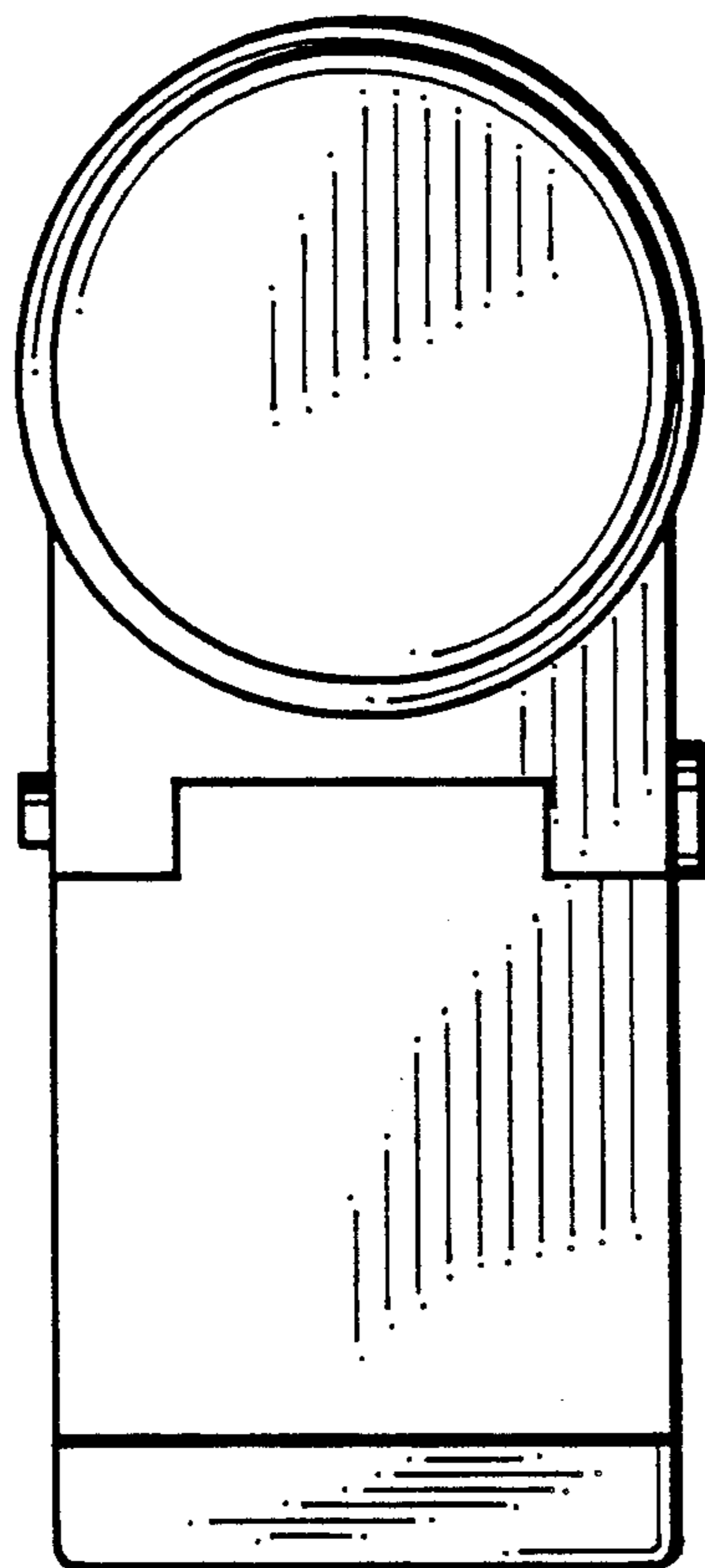


Fig. 6

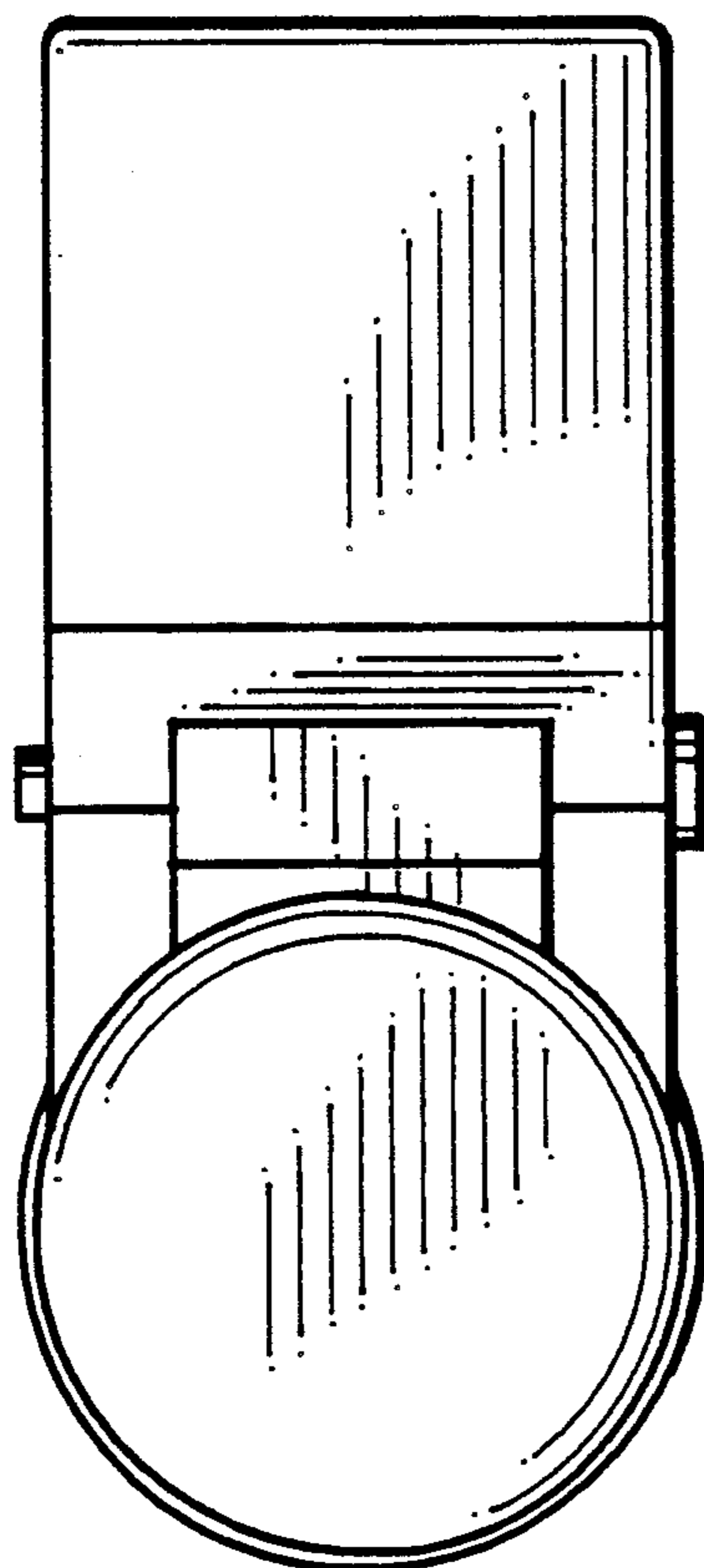


Fig. 5