

[54] WATER CLOSET
[75] Inventor: Myron J. Ament, Plano, Tex.
[73] Assignee: Eljer Manufacturing, Inc., Plano, Tex.
[**] Term: 14 Years
[21] Appl. No.: 243,014
[22] Filed: Sep. 9, 1988
[52] U.S. Cl. D23/301
[58] Field of Search D23/295-301,
D23/309, 313; 4/306, 329-332, 353, 420-448,
DIG. 15

D. 271,326 11/1983 Doman et al. D23/301
4,162,548 7/1979 Groombridge et al. 4/300
4,524,500 6/1985 Genetay et al. 4/420 X

OTHER PUBLICATIONS

The front cover and pp. 2 and 8 of the undated Aqua-Line brand catalog, entitled "Fixtures".

Primary Examiner—James R. Largen
Attorney, Agent, or Firm—Harness, Dickey & Pierce

[57] CLAIM

The ornamental design for a water closet, as shown and described.

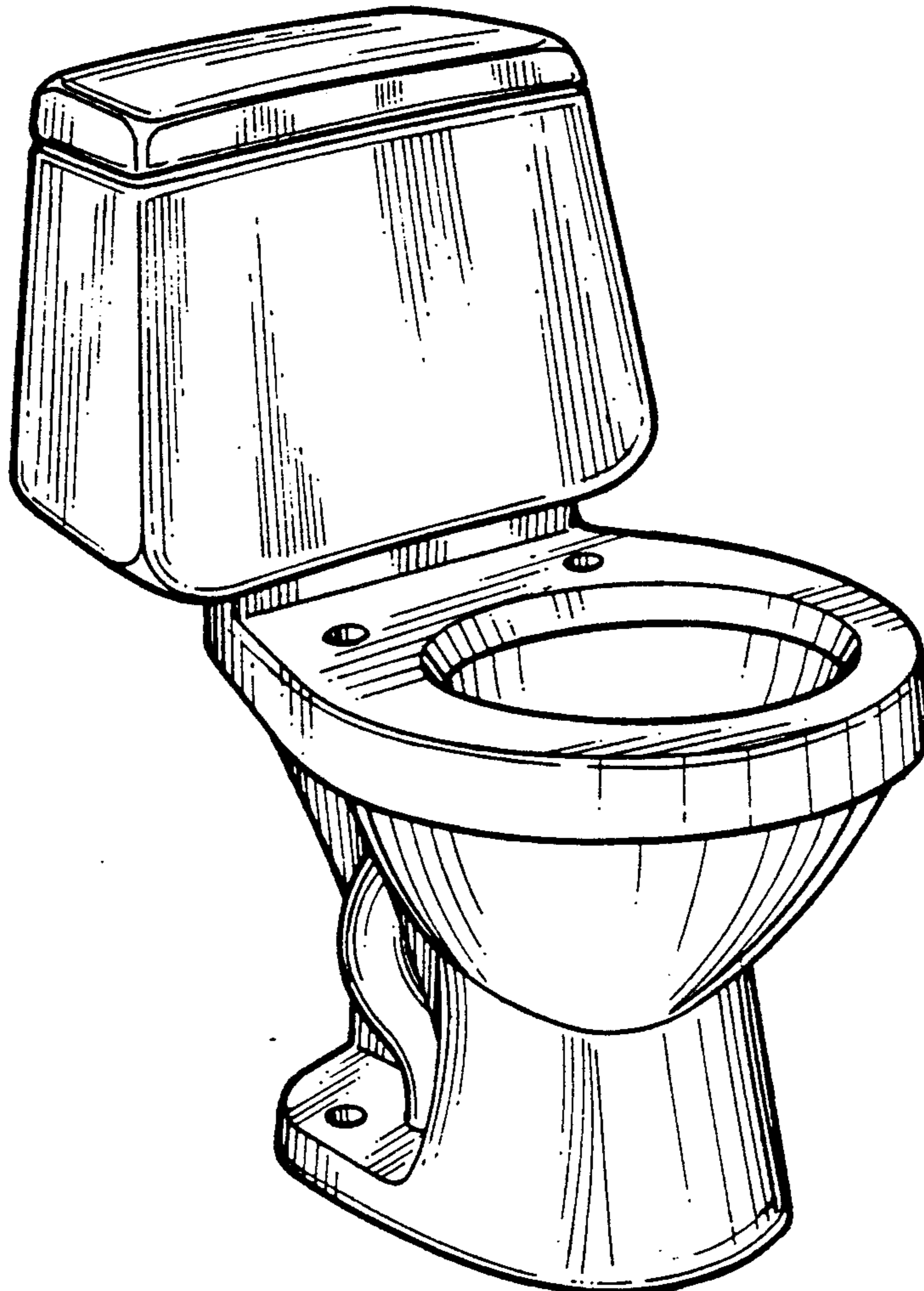
DESCRIPTION

FIG. 1 is a perspective view taken from the top, front and left side of a water closet showing my new design; FIG. 2 is a top plan view thereof; FIG. 3 is a right-side elevational view thereof; FIG. 4 is a left-side elevational view thereof; FIG. 5 is a front elevational view thereof; FIG. 6 is a rear elevational view thereof; and FIG. 7 is a cross-sectional view taken on line 7—7 of FIG. 3.

[56] References Cited

U.S. PATENT DOCUMENTS

D. 199,049 9/1964 Kaiser D23/295
D. 217,551 5/1970 Manning D23/295
D. 237,884 12/1975 Korol D23/301
D. 250,202 11/1978 Doman et al. D23/301
D. 262,647 1/1982 Kaiser D23/301
D. 264,620 5/1982 Kaiser D23/301
D. 268,780 4/1983 Doman et al. D23/301



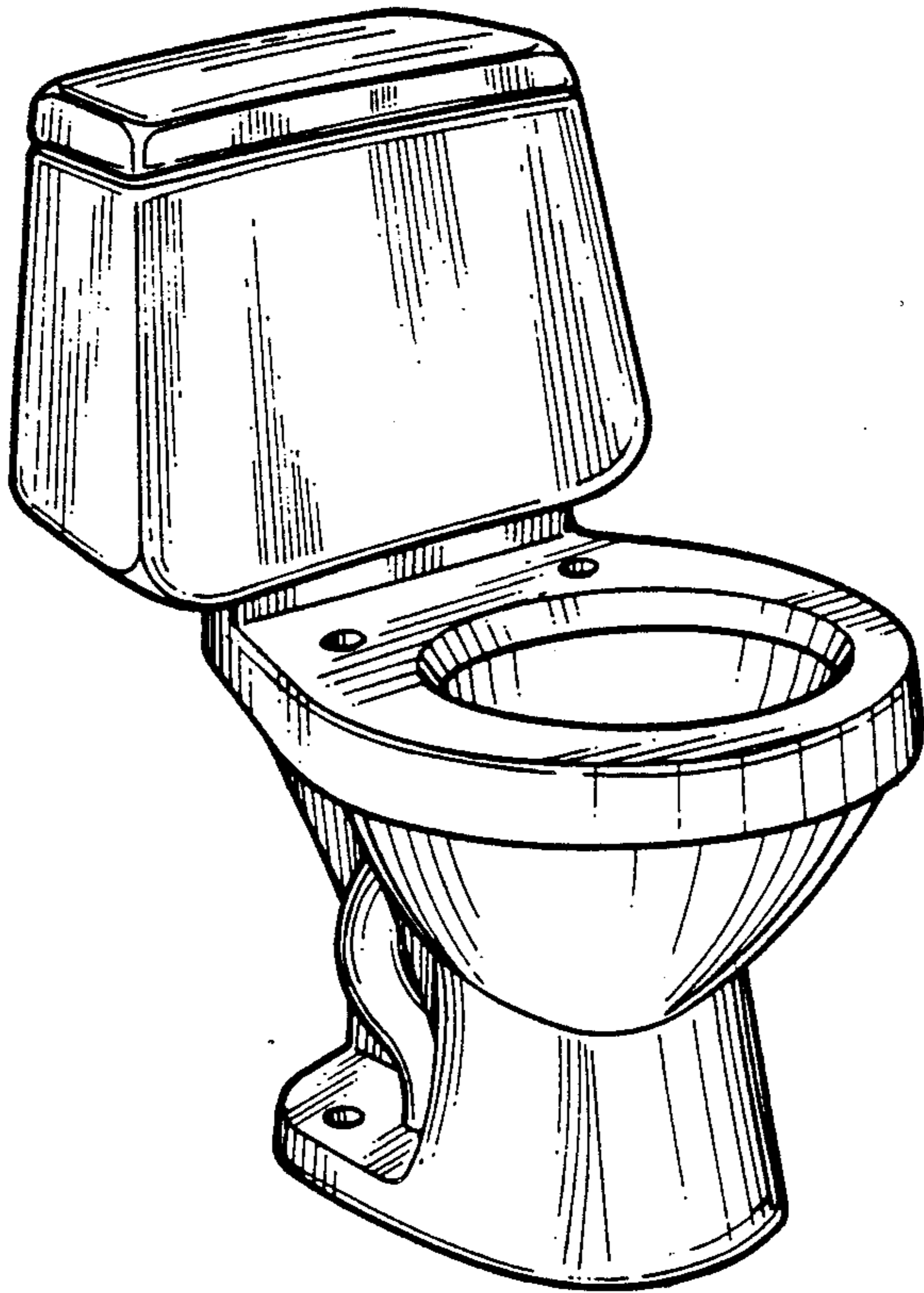


Fig-1

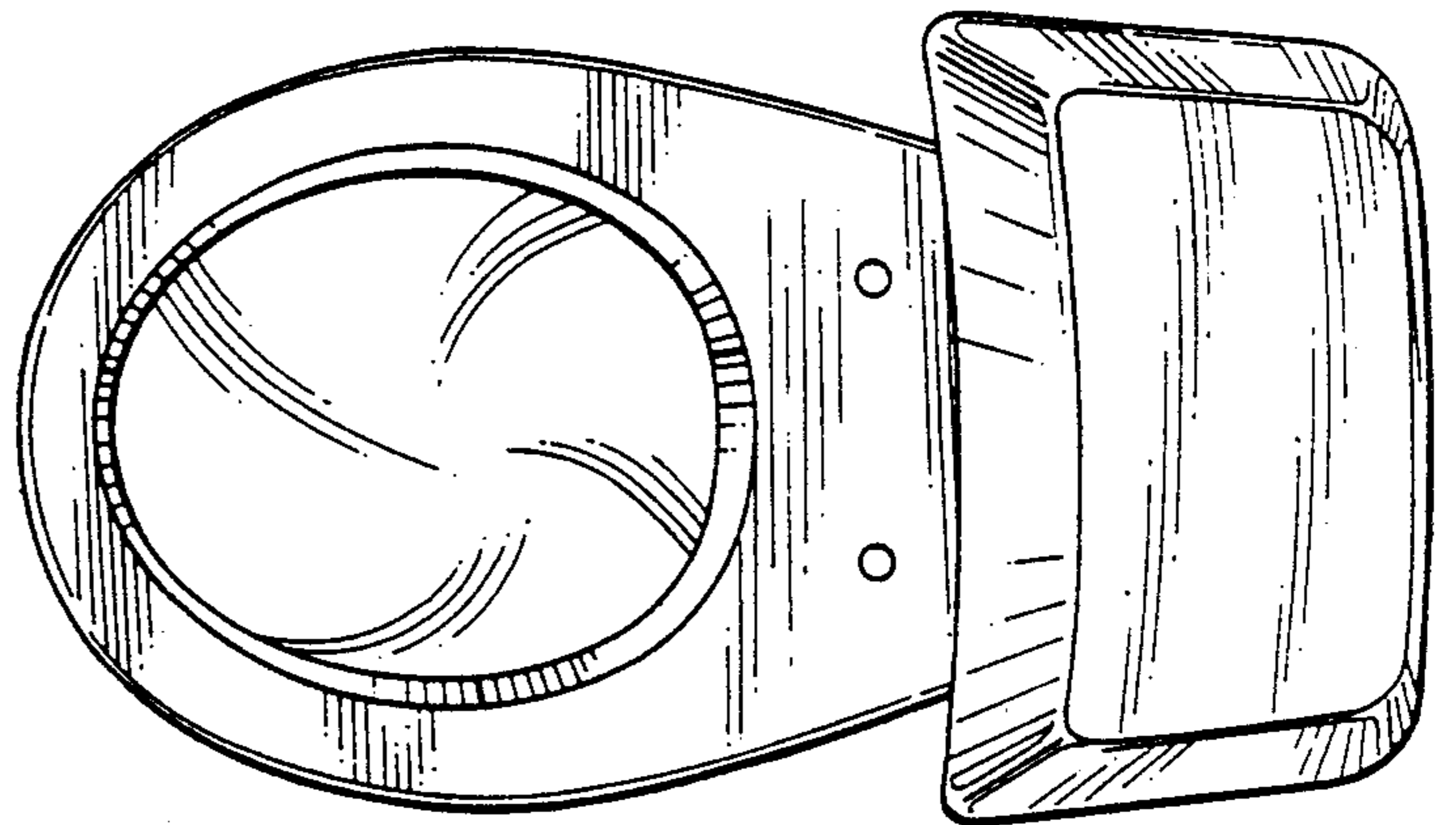


Fig-2

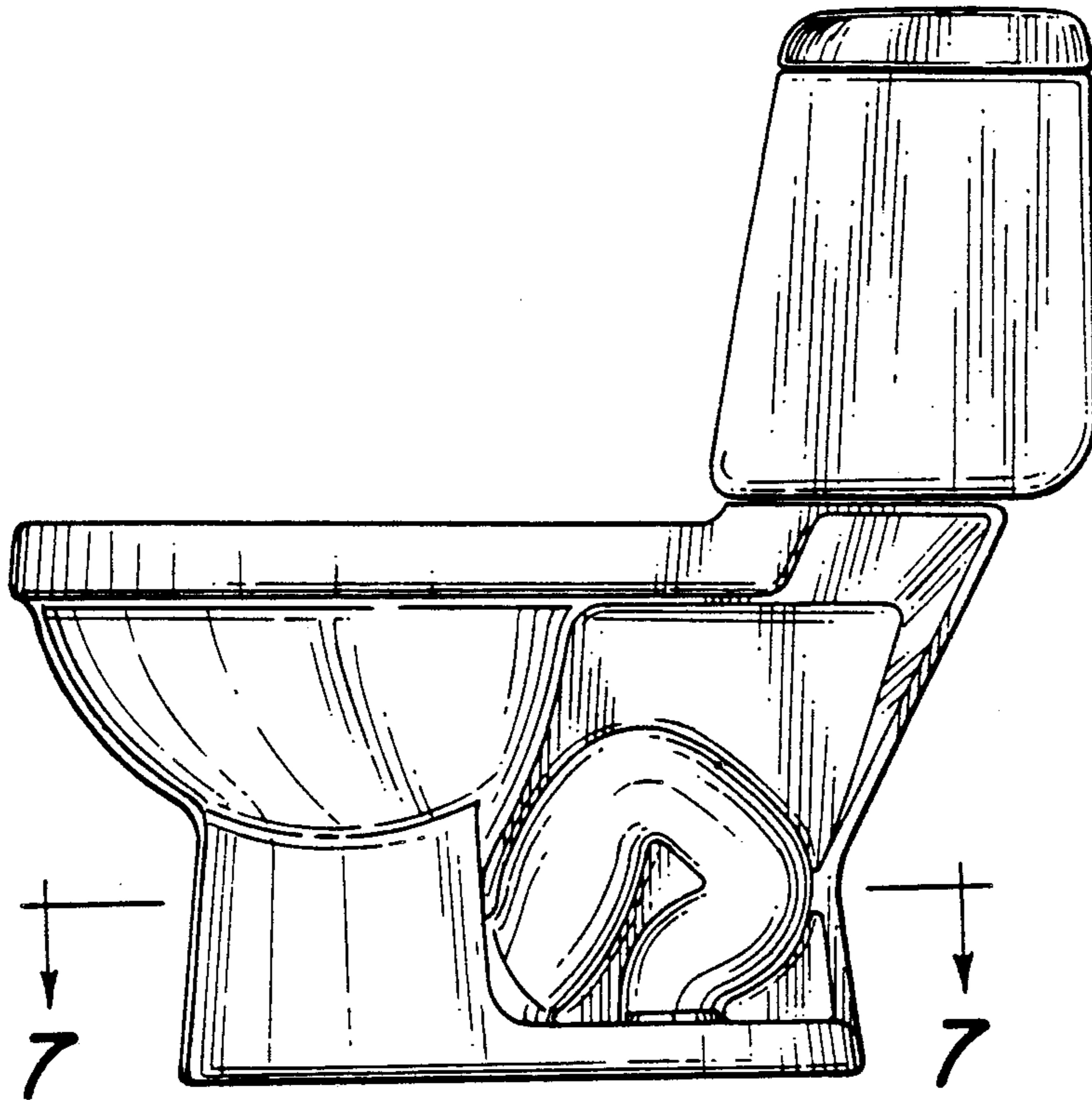


Fig-3

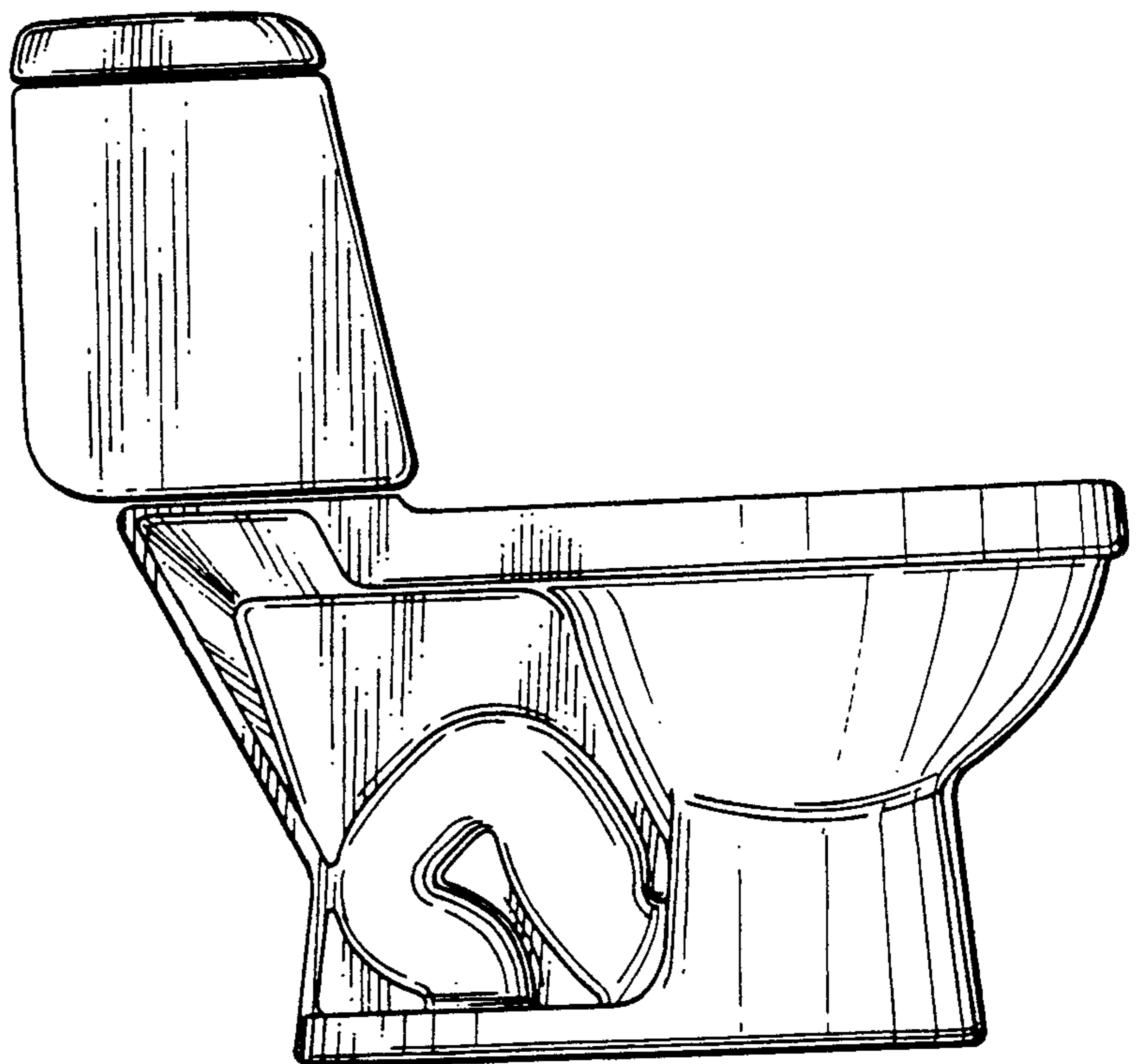


Fig-4

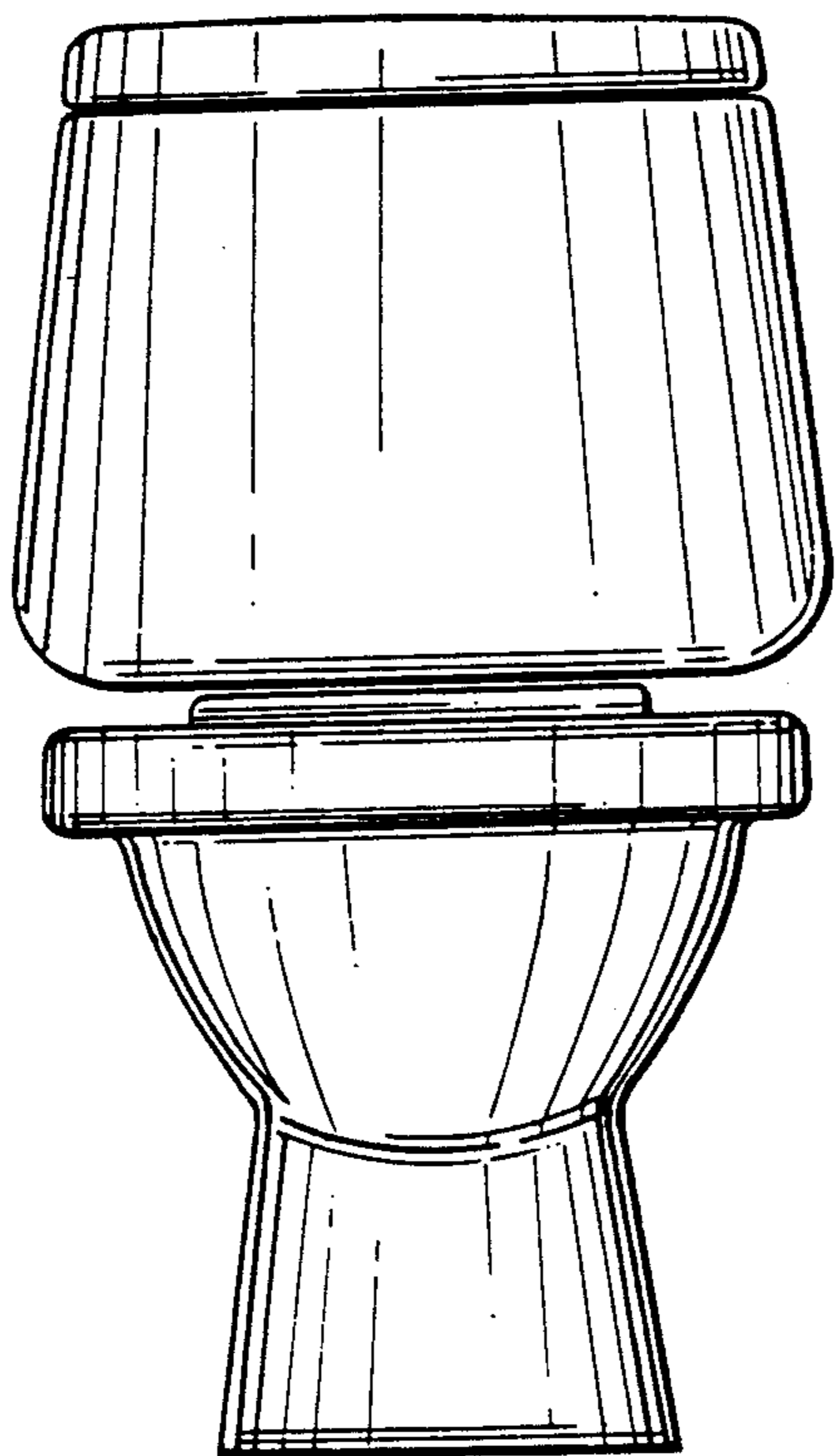


Fig-5

Fig-6

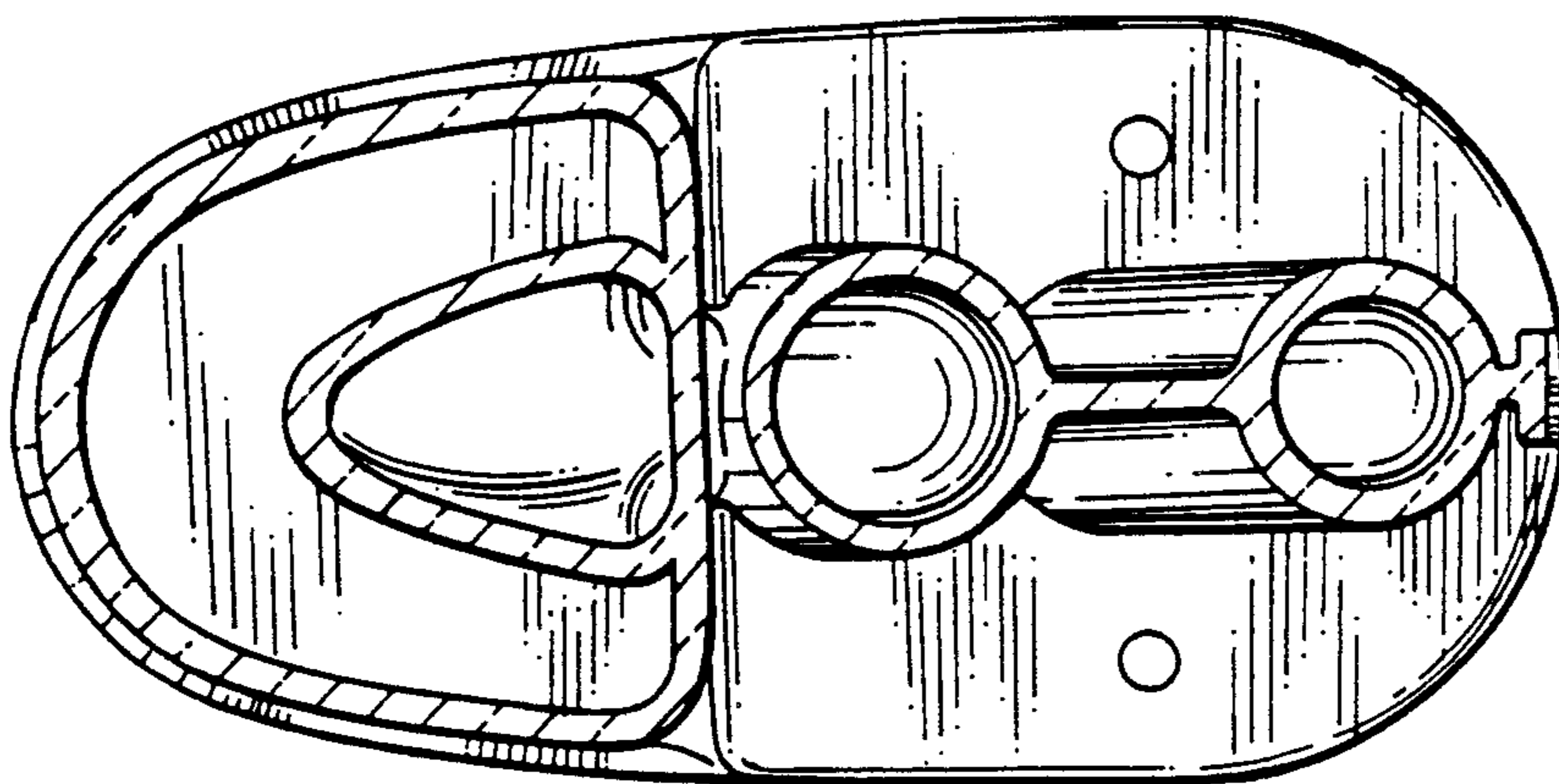
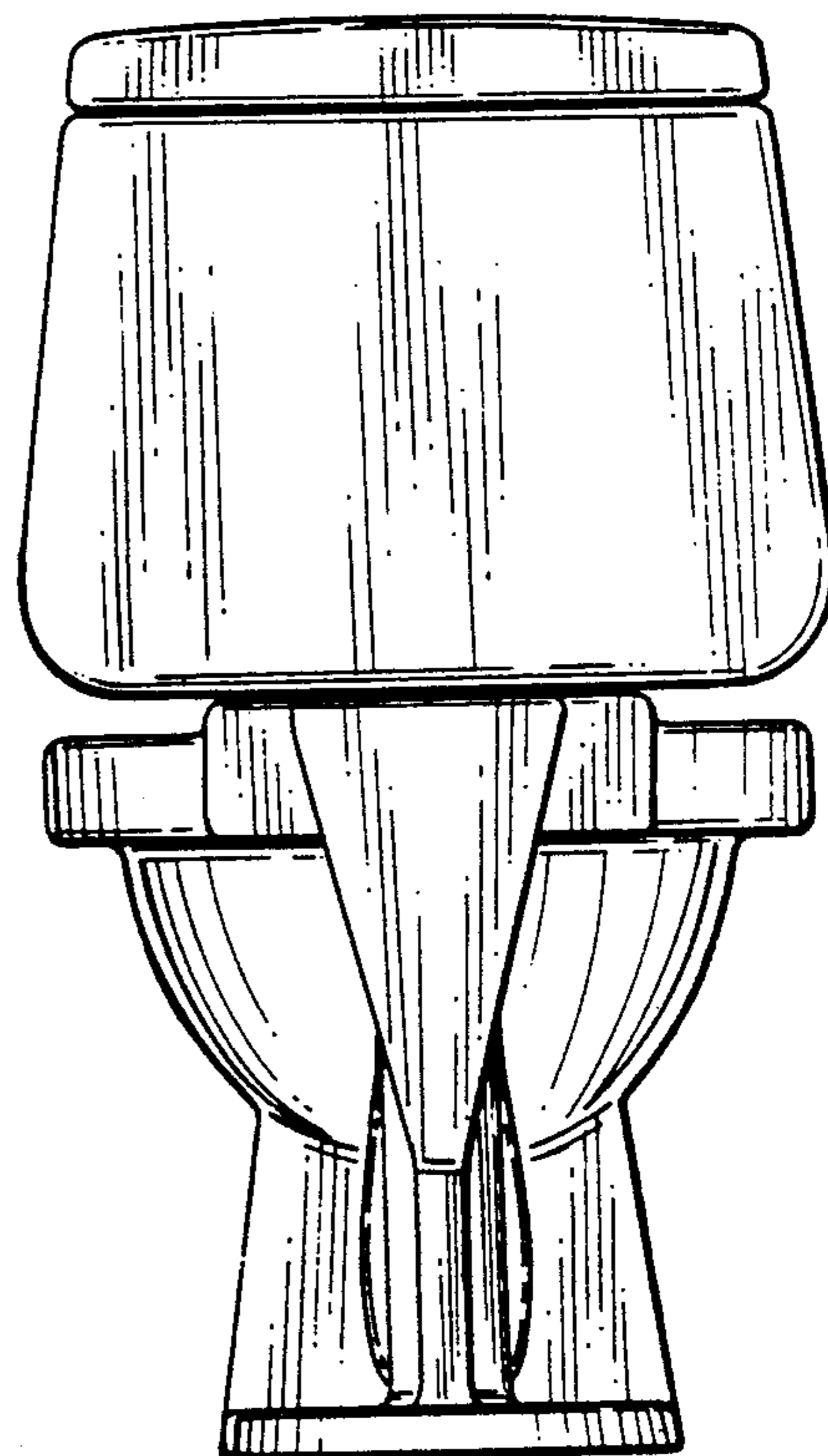


Fig-7