

[54] ROOF GUTTER

[75] Inventor: Gordon Stuart, Holland Park,  
Australia

[73] Assignee: Ed Barador Holdings Pty. Ltd.,  
Queensland, Australia

[\*\*] Term: 14 Years

[21] Appl. No.: 238,165

[22] Filed: Aug. 30, 1988

[30] Foreign Application Priority Data

May 30, 1988 [AU] Australia ..... 1738/88

[52] U.S. Cl. .... D23/267

[58] Field of Search ..... D23/267; D25/219, 221

[56] References Cited

U.S. PATENT DOCUMENTS

D. 221,251	7/1971	Haskell et al. ....	D25/119
D. 256,843	9/1980	Madsen .....	D25/119
D. 260,039	7/1981	de Ruiter .....	D25/121
739,559	9/1903	Rinker .....	52/11
1,044,886	11/1912	Hines .....	52/11
1,103,773	7/1914	Jacabs .....	52/14
3,550,381	12/1970	South .....	52/11
3,864,882	2/1975	Lasscock .....	52/11
4,254,594	3/1981	Hammond et al. ....	52/11
4,271,643	6/1981	Sweers .....	52/11
4,300,319	11/1981	Frost et al. ....	52/11

4,528,784	7/1985	Simpson et al. ....	52/14
4,761,919	8/1988	O'Keefe et al. ....	52/14

FOREIGN PATENT DOCUMENTS

281999	8/1962	Netherlands .....	52/11
--------	--------	-------------------	-------

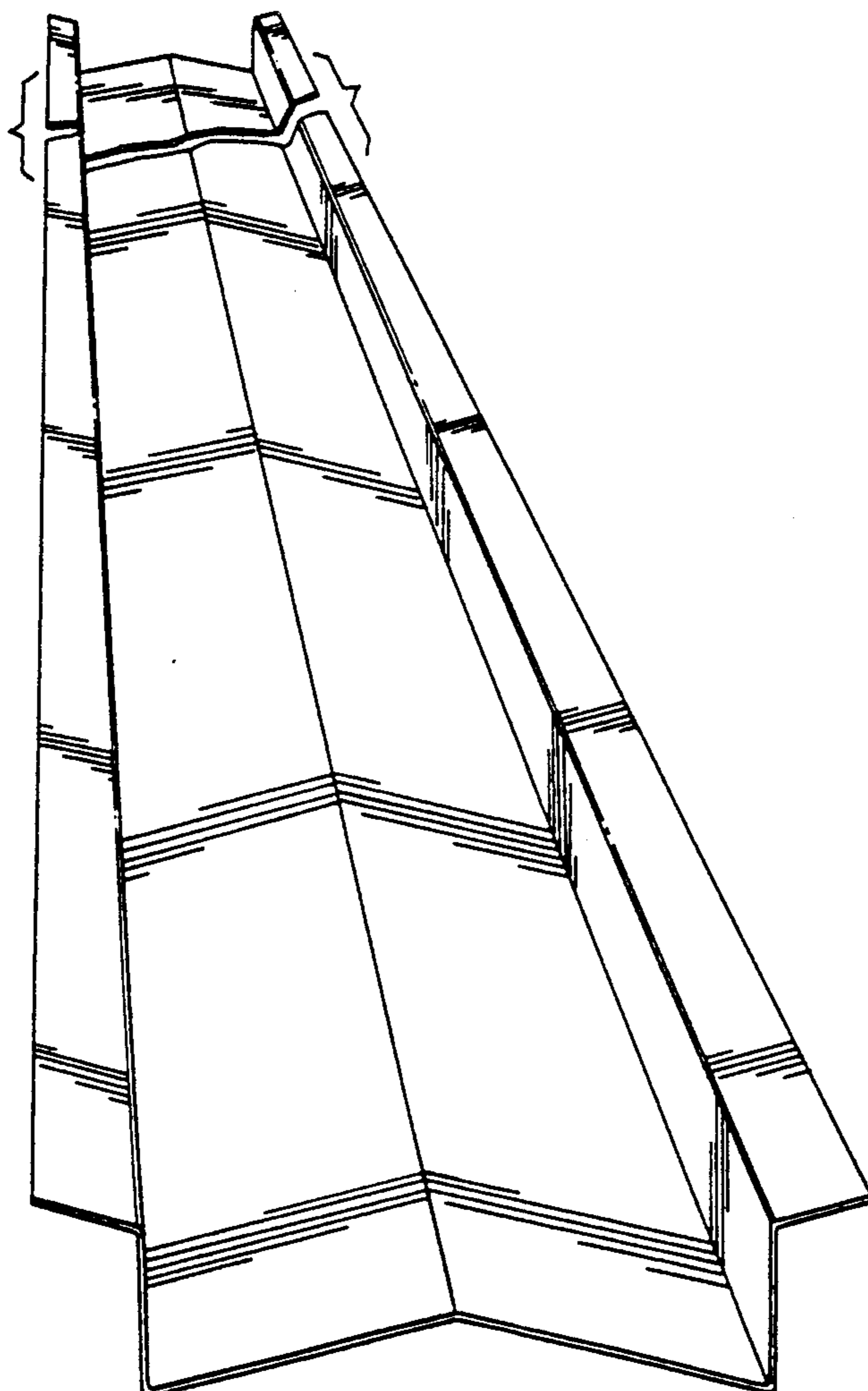
Primary Examiner—James R. Largen  
Assistant Examiner—Demetrius Reynolds  
Attorney, Agent, or Firm—Kimmel, Crowell & Weaver

[57] CLAIM

The ornamental design of a roof gutter, as shown and described.

DESCRIPTION

FIG. 1 is a top plan view of a roof gutter showing my new design;  
FIG. 2 is a bottom plan view thereof;  
FIG. 3 is a side elevational view thereof;  
FIG. 4 is a side elevational view showing the side opposite that shown in FIG. 3;  
FIG. 5 is an end elevational view thereof;  
FIG. 6 is an end elevational view showing the end opposite that shown in FIG. 5;  
FIG. 7 is a perspective view taken from the top and one end thereof;  
FIG. 8 is a perspective view taken from the bottom, one end and one side thereof.  
The gutter has been broken away in FIGS. 1 through 4, 7 and 8 to indicate indeterminate length.



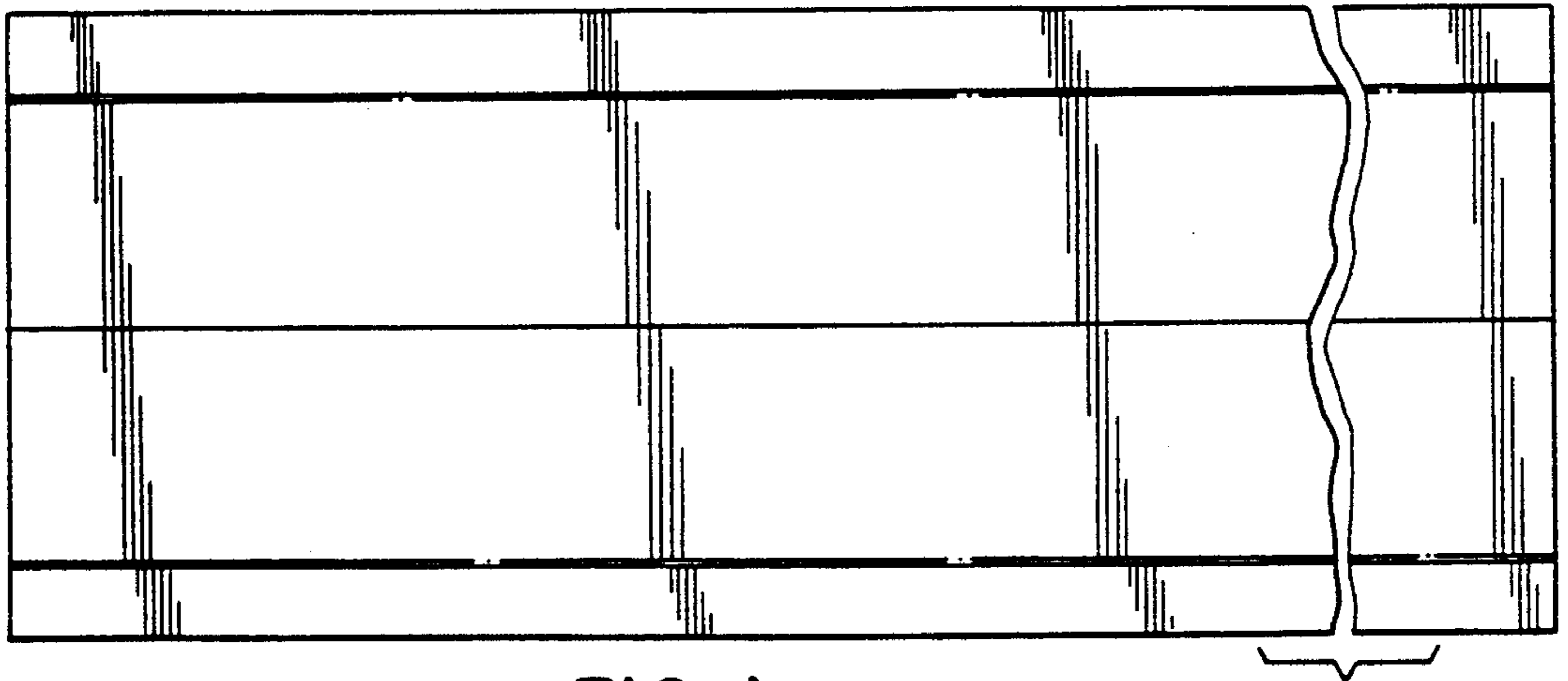


FIG. 1.

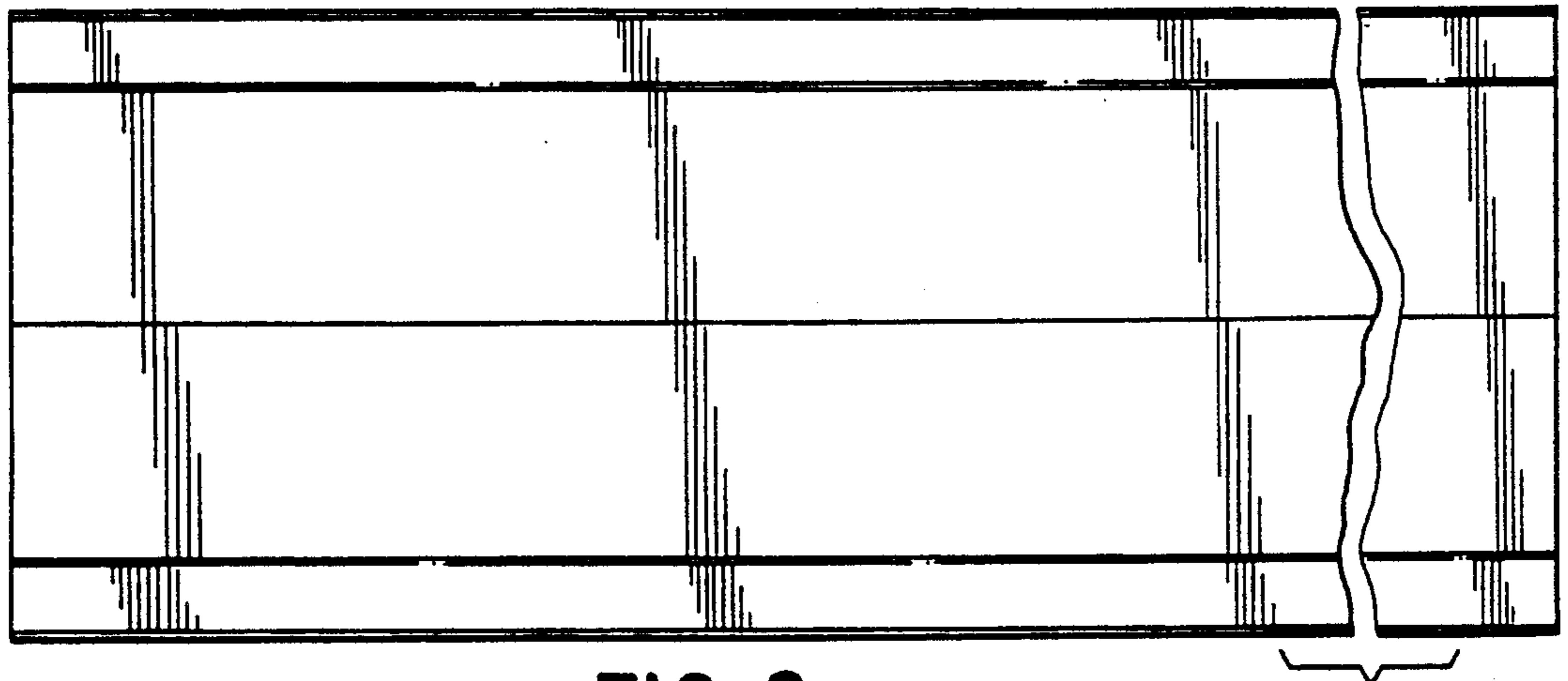


FIG. 2.

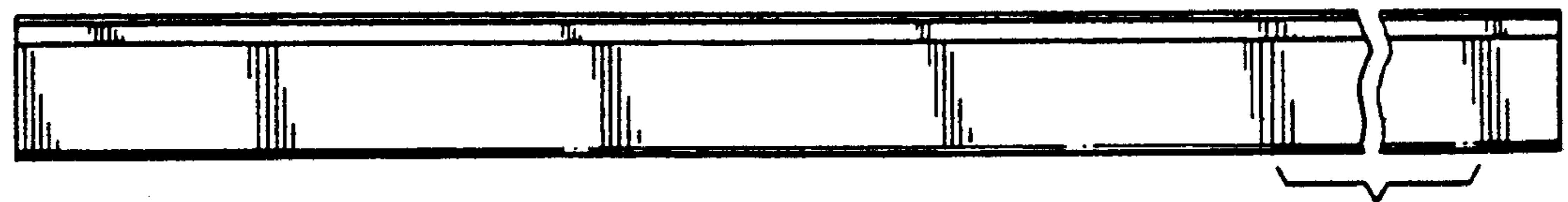


FIG. 3.

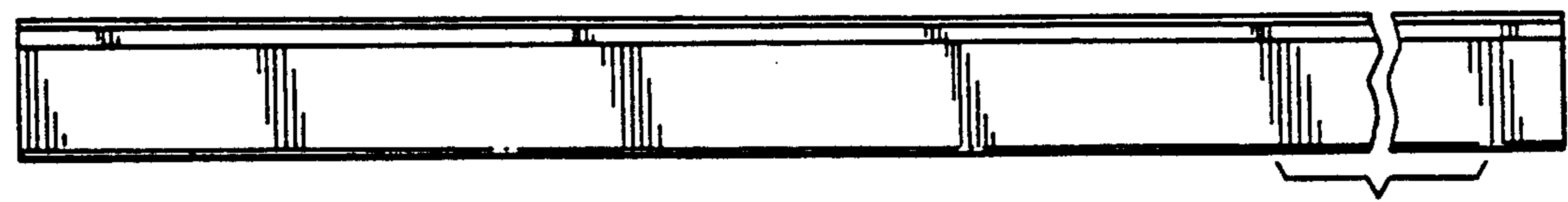


FIG. 4.



FIG. 5.



FIG. 6.

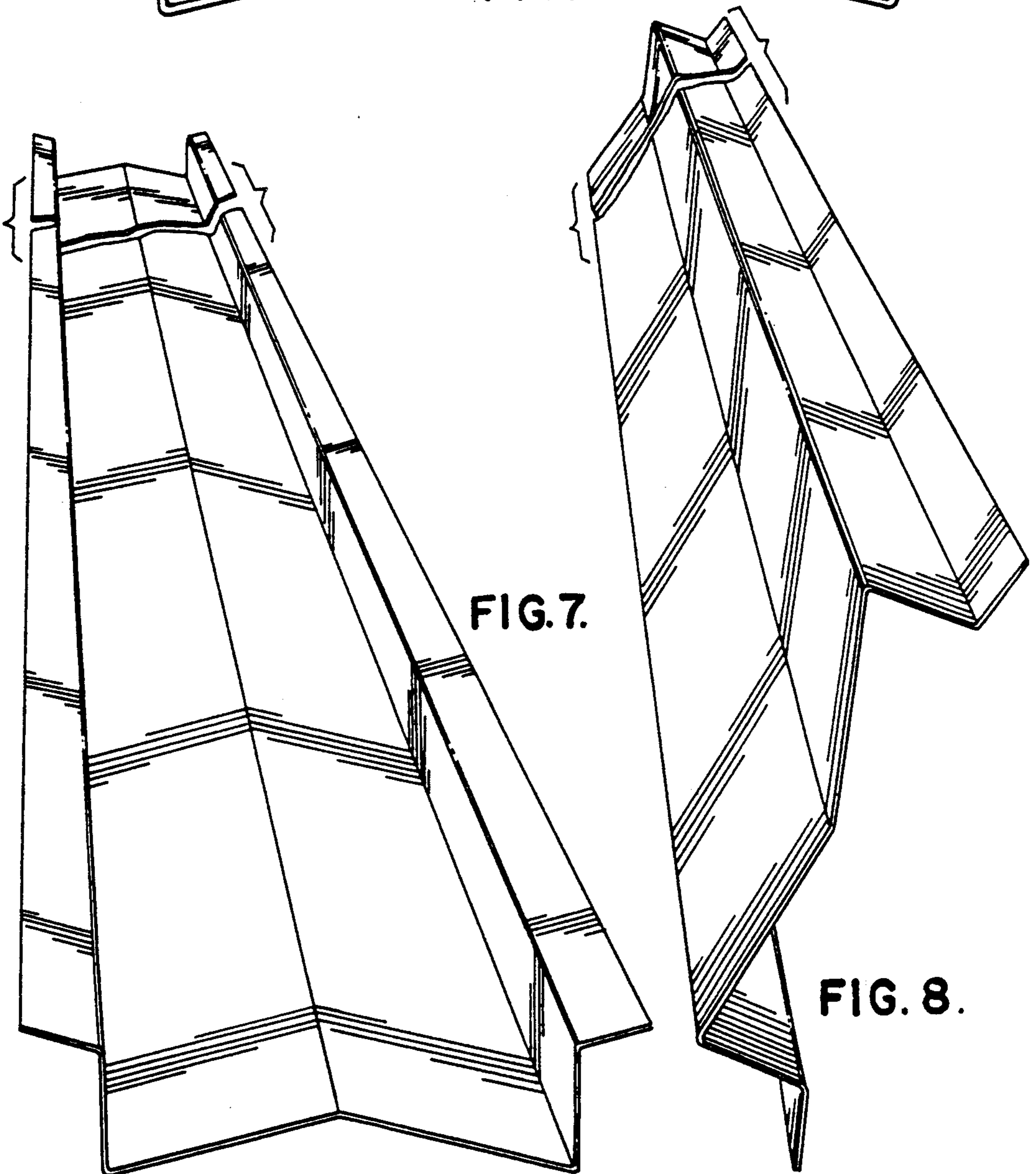


FIG. 7.

FIG. 8.