

[54] **QUICK-CONNECT COUPLING FOR A BULKHEAD**
[75] Inventor: **Richard J. Medvick**, Shaker Heights, Ohio
[73] Assignee: **Swagelok Quick-Connect Co.**, Hudson, Ohio
[**] Term: **14 Years**
[21] Appl. No.: **153,039**
[22] Filed: **Feb. 8, 1988**
[52] U.S. Cl. **D23/262**
[58] Field of Search **D23/262; 137/614.02, 137/614.03, 614.04, 614.05; 285/86, 87, 88, 315-318, 332, 3, 45, 89, 158, 348; 251/149.8, 149.6**

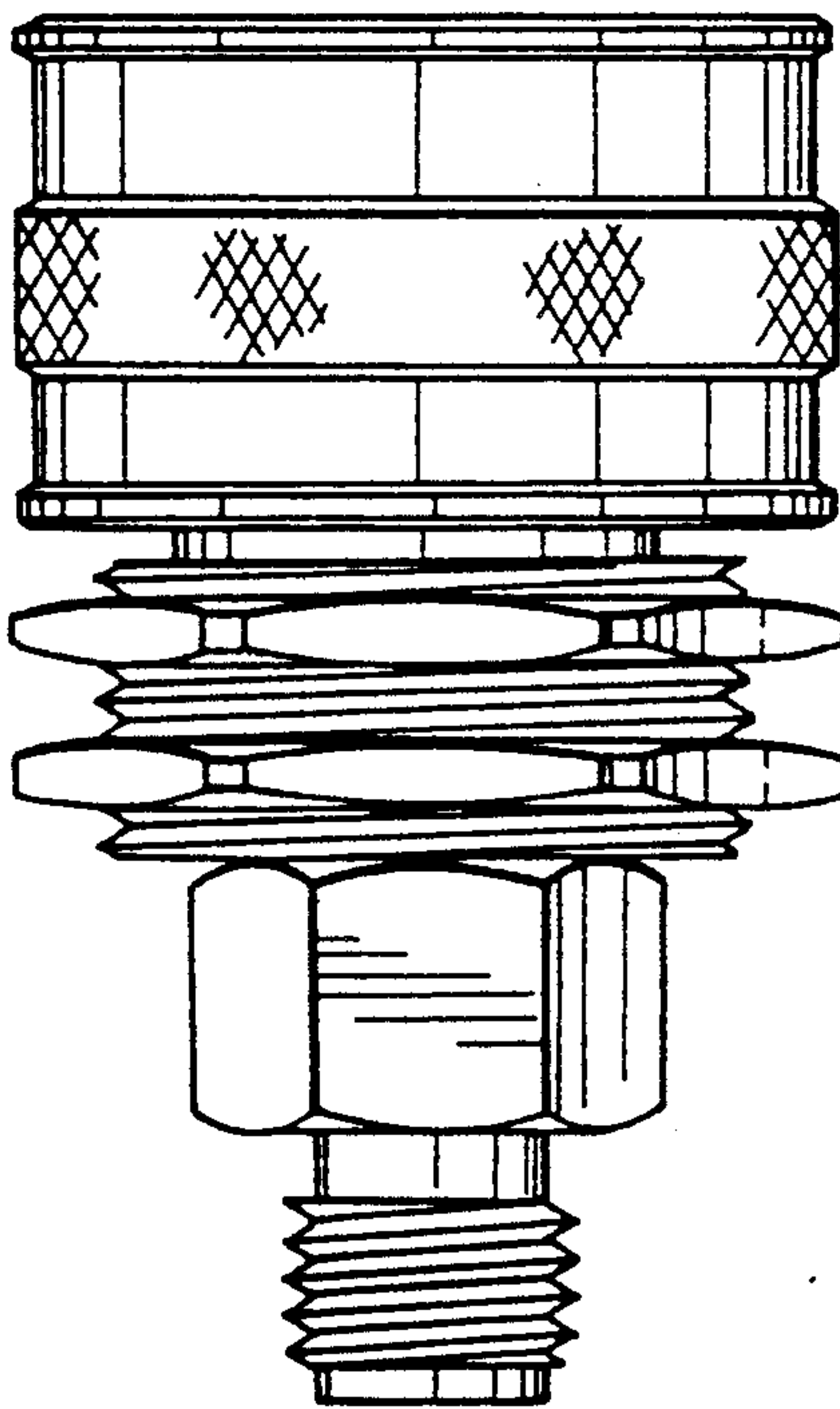
[56] **References Cited**
U.S. PATENT DOCUMENTS
D. 187,578 3/1960 Moffatt D23/262
D. 229,415 11/1973 Luckenbill et al. D23/262

D. 229,416 11/1973 Luckenbill et al. D23/262
D. 270,935 10/1983 Logsdon D23/262
1,107,289 8/1914 Glauber 285/158
1,109,920 9/1914 Glauber 285/158
3,224,728 10/1965 Buseth et al. 251/149.6
4,114,853 9/1978 Medvick 251/149.6
4,378,028 3/1983 Weber et al. 251/149.6
4,665,943 5/1987 Medvick et al. 137/543.17
4,828,296 5/1989 Medvick 285/158

Primary Examiner—James R. Largen
Assistant Examiner—Demetrius Reynolds
Attorney, Agent, or Firm—Fay, Sharpe, Beall, Fagan, Minnich & Minnich

[57] **CLAIM**
The ornamental design for quick-connect coupling for a bulkhead, as shown.

DESCRIPTION
FIG. 1 is a side elevational view of a quick-connect coupling for a bulkhead showing my new design; FIG. 2 is a top plan view thereof; and FIG. 3 is a bottom plan view thereof.



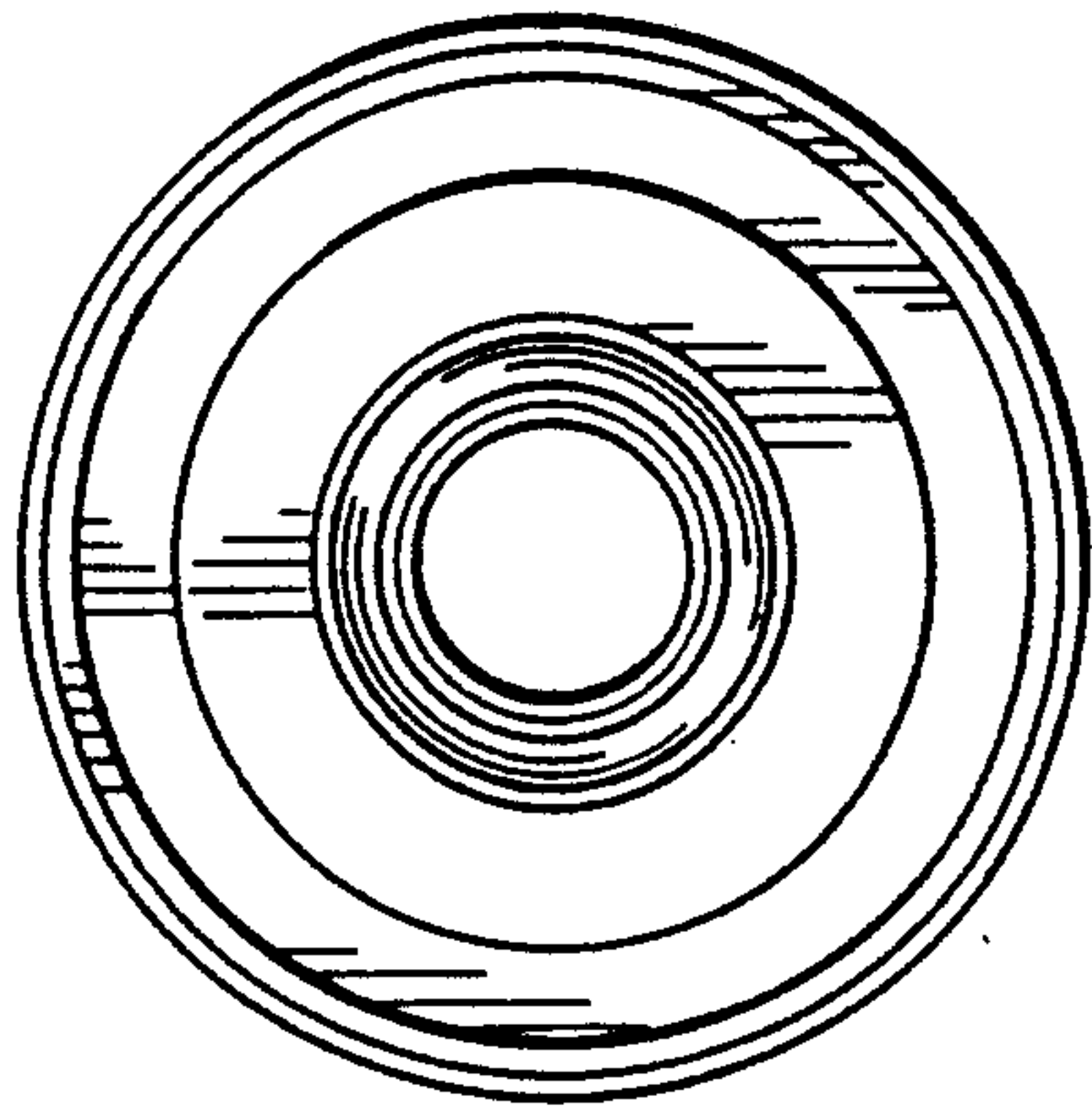


FIG. 2

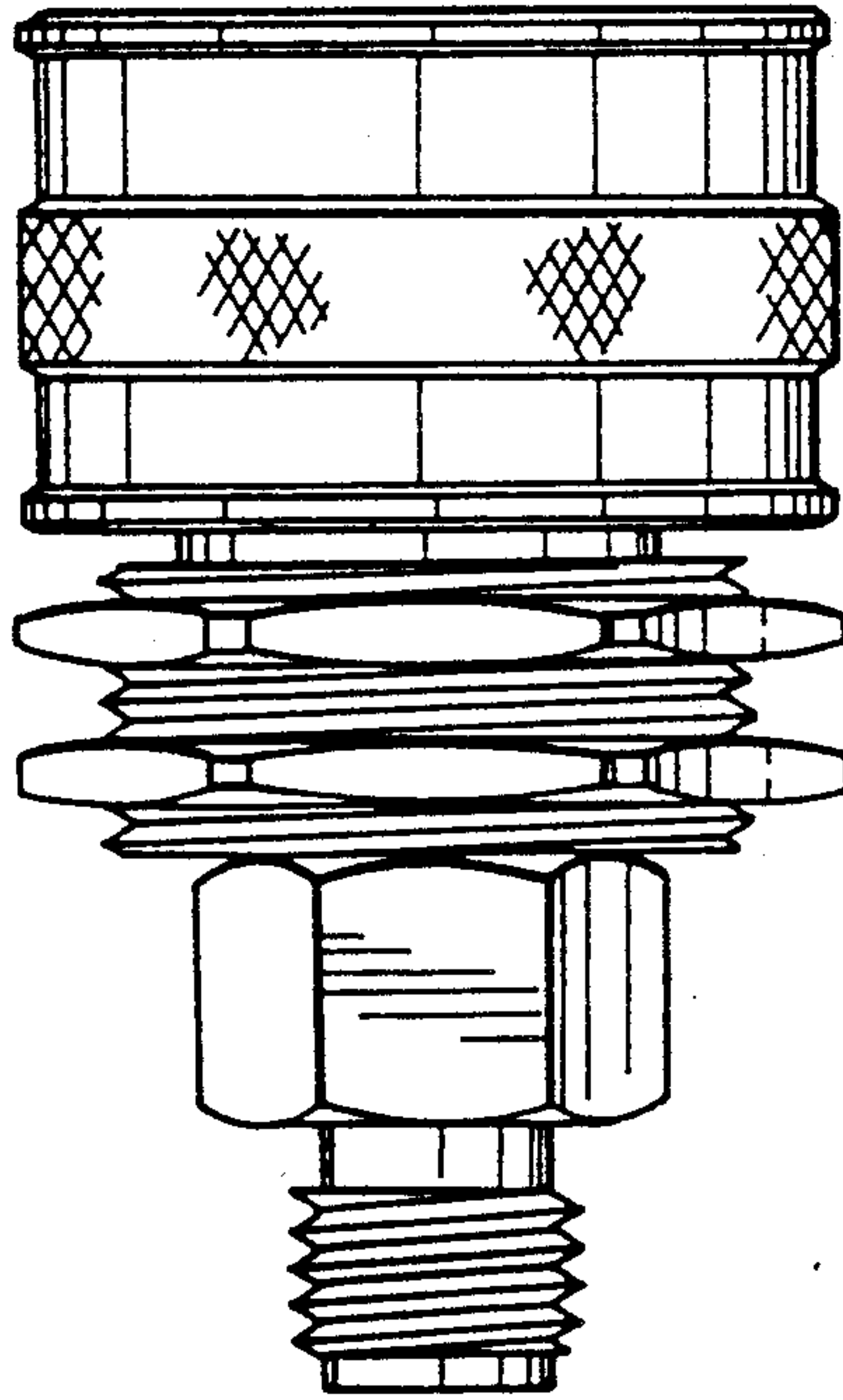


FIG. 1

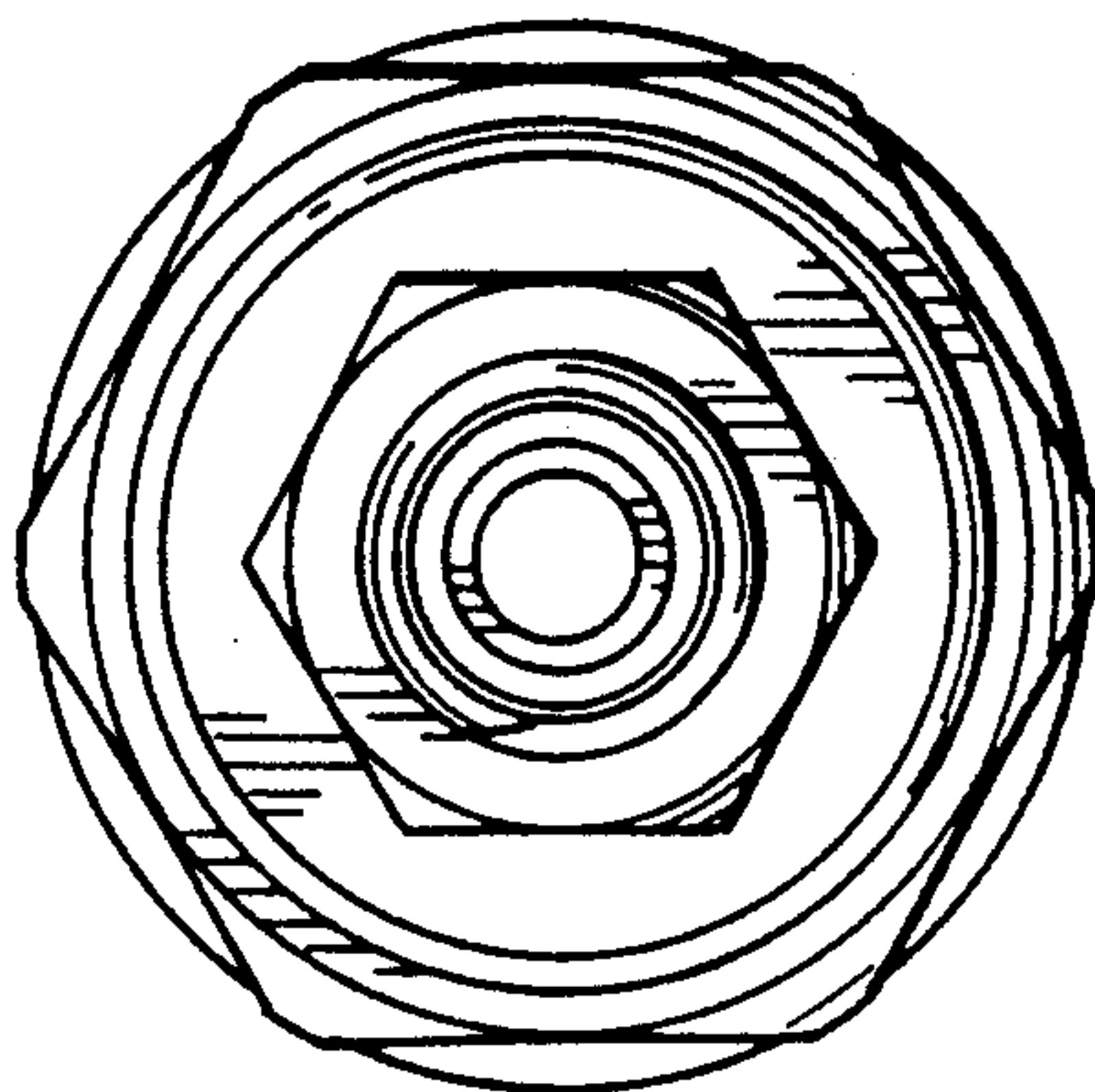


FIG. 3