

[54] BATHROOM FAUCET

[75] Inventor: Joseph Strignano, New York, N.Y.

[73] Assignee: I.W. Industries, Melville, N.Y.

[\*] Notice: The portion of the term of this patent subsequent to Sep. 25, 2004 has been disclaimed.

[\*\*] Term: 14 Years

[21] Appl. No.: 45,012

[22] Filed: May 1, 1987

[52] U.S. Cl. .... D23/242

[58] Field of Search ..... D23/238-243;  
4/191, 192; 137/801

[56] References Cited

U.S. PATENT DOCUMENTS

- D. 265,231 6/1982 Paul ..... D23/241
- D. 271,514 11/1983 Paul ..... D23/242
- D. 278,458 4/1985 Paul ..... D23/242

- D. 279,213 6/1985 Paul ..... D23/242
- D. 290,159 6/1987 Jans ..... D23/242
- D. 290,160 6/1987 Paul ..... D23/241
- D. 290,869 7/1987 Paul ..... D23/242
- D. 290,870 7/1987 Paul ..... D23/242
- D. 290,871 7/1987 Paul ..... D23/242
- D. 299,851 2/1989 Rademacher ..... D23/241

Primary Examiner—James R. Largen  
Attorney, Agent, or Firm—Alfred M. Walker

[57] CLAIM

The ornamental design for a bathroom faucet, as shown and described.

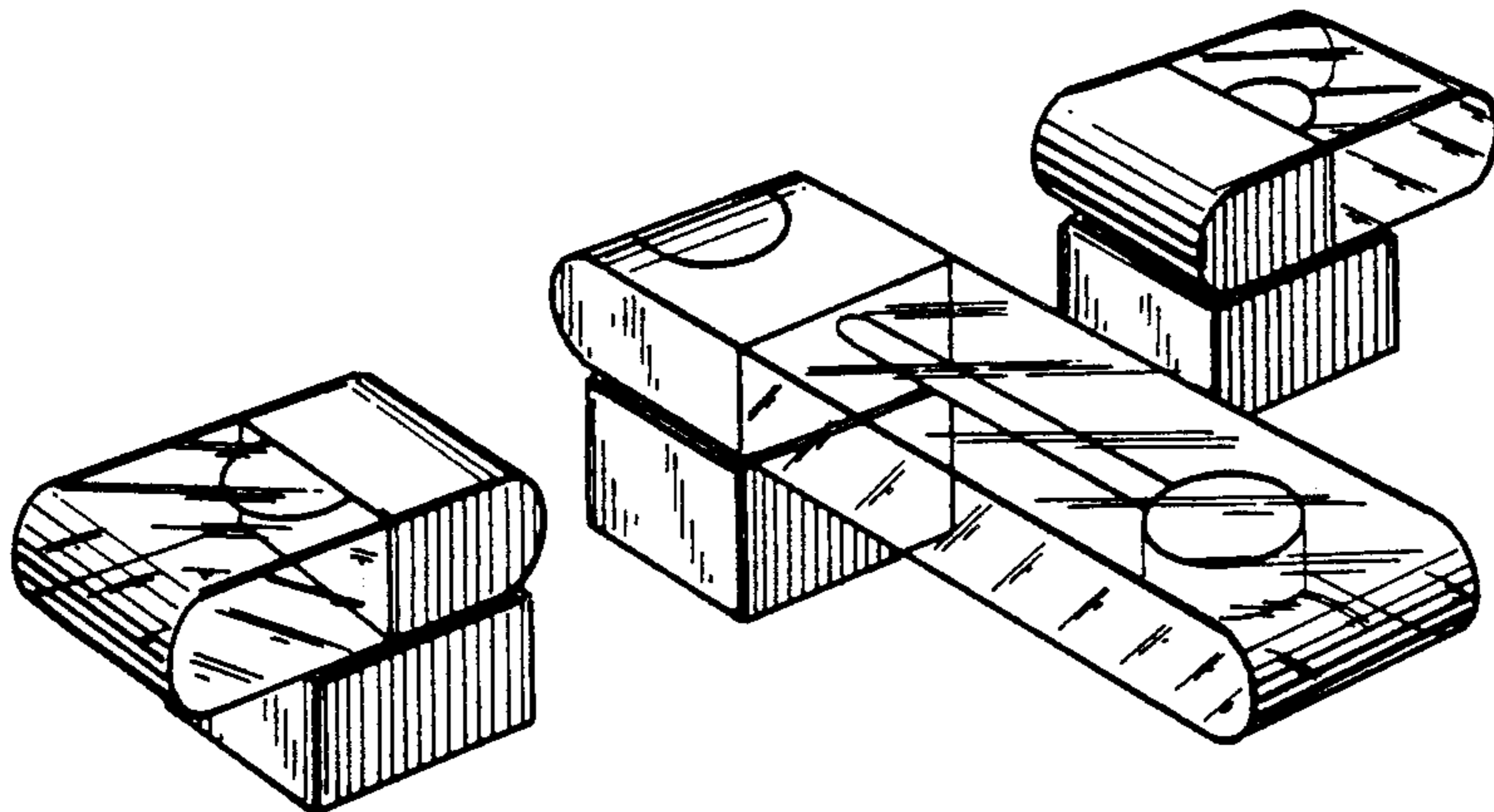
DESCRIPTION

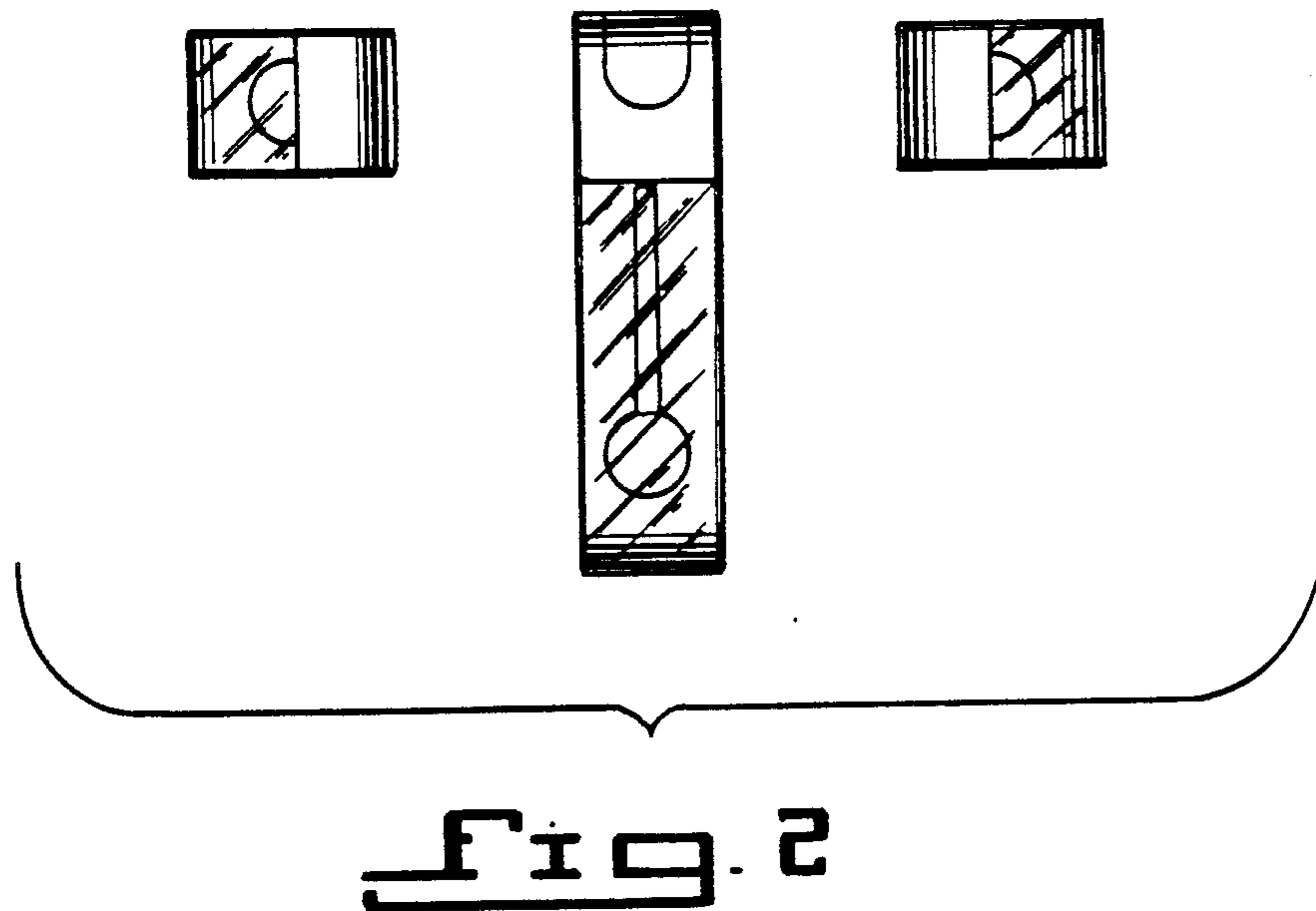
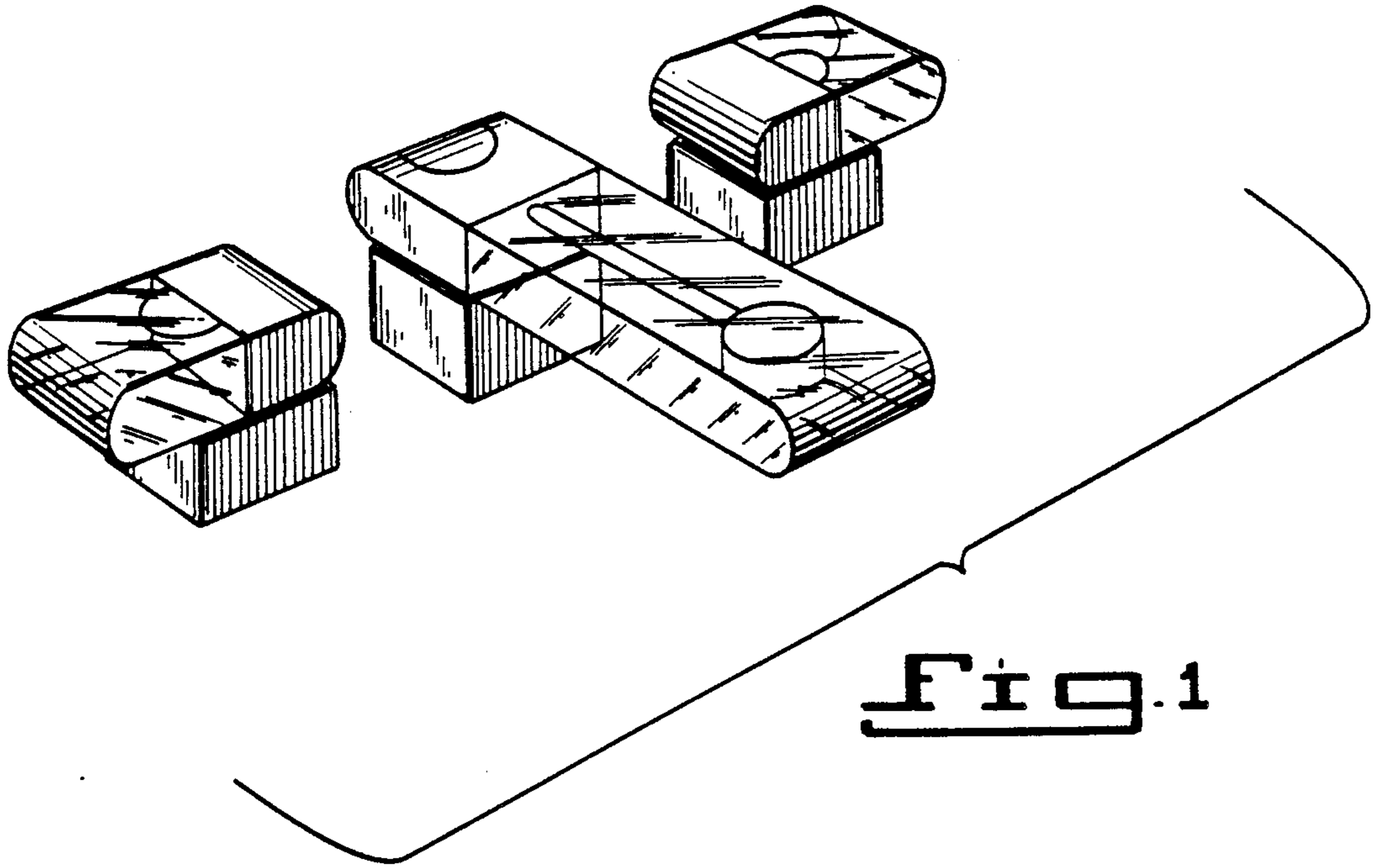
FIG. 1 is a perspective view taken from the top, front and left side of a bathroom faucet showing my new design;

FIG. 2 is a top plan view thereof;

FIG. 3 is a front elevational view thereof; and

FIG. 4 is a right side elevational view thereof, the left side being a mirror image of the right side shown.





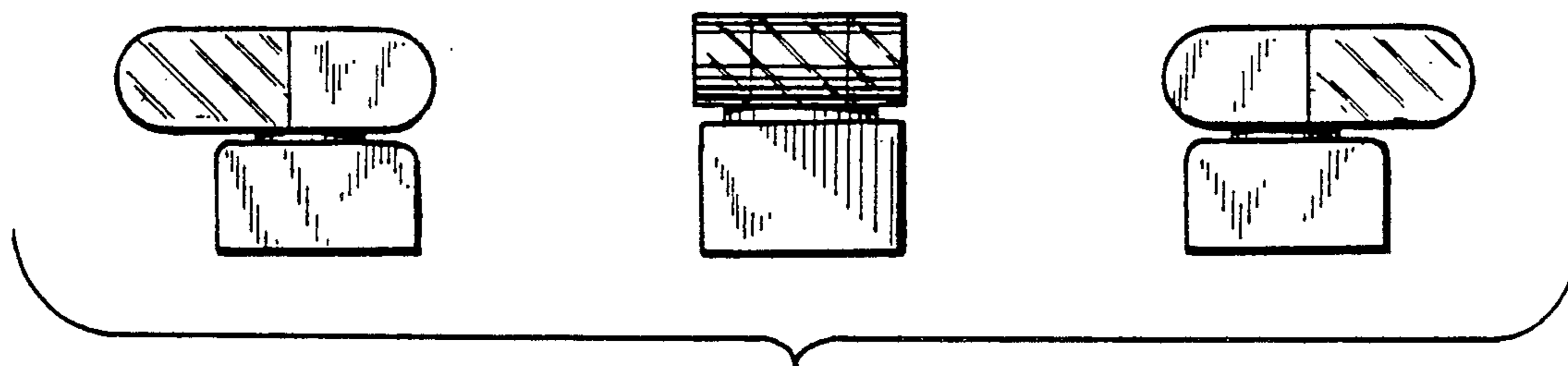


Fig. 3

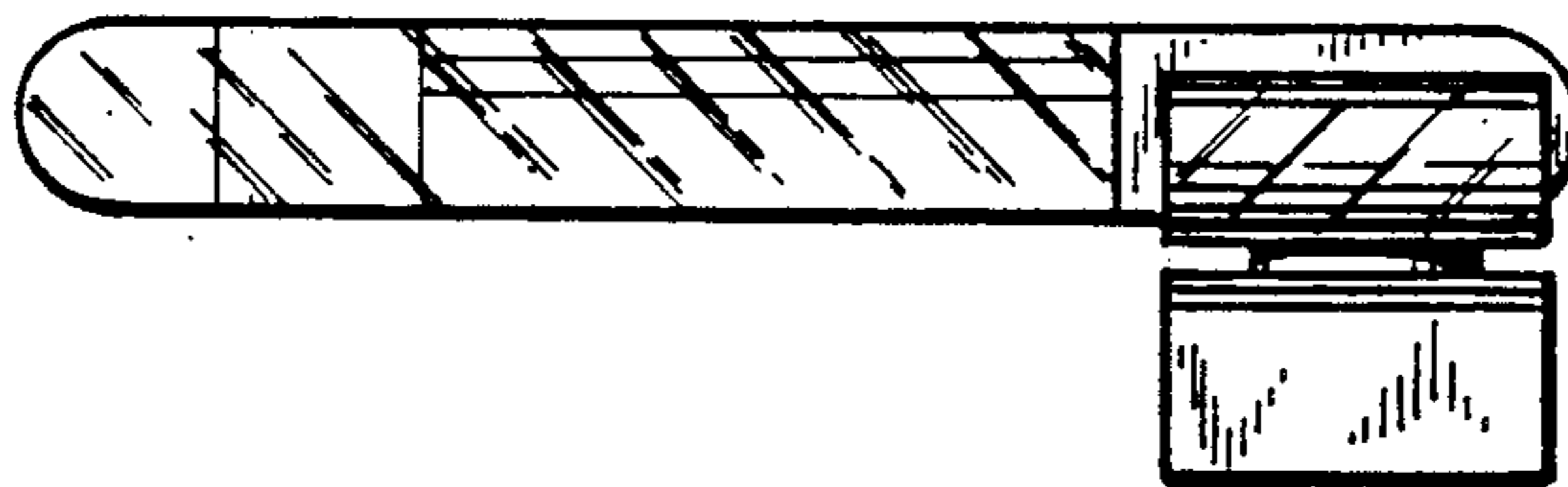


Fig. 4