

[54] FLUSH CONTROL VALVE

[75] Inventor: R. Frank Nestich, Glenmont, Ohio

[73] Assignee: Mansfield Plumbing Products, Inc.,  
Perrysville, Ohio

[\*\*] Term: 14 Years

[21] Appl. No.: 266,990

[22] Filed: Nov. 4, 1988

[52] U.S. Cl. .... D23/233

[58] Field of Search ..... 251/15, 36, 42

[56] References Cited

U.S. PATENT DOCUMENTS

713,138	11/1902	Nethery	251/15
1,066,350	7/1913	Watrous	251/36
1,123,753	1/1915	Kellan	251/36
1,172,421	2/1916	Beck	251/36
1,232,852	7/1917	Schier	251/42
1,273,140	7/1918	Brooks	251/36
1,297,836	3/1919	Gulich	251/36
1,385,456	7/1921	Kellan	251/36
1,402,771	1/1922	Johns	251/15 X
1,471,504	10/1923	Myers	251/36
1,598,166	8/1926	Stewart	251/36
1,637,825	8/1927	Klann	251/36
1,660,352	2/1928	Payne	251/15 X

1,714,591	5/1929	Darrow	251/42
1,812,301	6/1931	Nasmyth	251/36
2,204,191	6/1940	Sloan et al.	251/15 X
3,291,439	12/1966	Goldstein	251/42
4,227,674	10/1980	Grant	251/36 X
4,231,542	11/1980	Grenier	251/15

Primary Examiner—A. Hugo Word  
Assistant Examiner—Demetrius Reynolds  
Attorney, Agent, or Firm—Renner, Kenner, Greive,  
Bobak, Taylor & Weber

[57] CLAIM

The ornamental design for a flush control valve, as shown and described.

DESCRIPTION

FIG. 1 is a perspective view taken from the top, front and right side of a flush control valve showing my new design;

FIG. 2 is a top plan view thereof;

FIG. 3 is a front elevational view thereof;

FIG. 4 is a left side elevational view thereof;

FIG. 5 is a bottom plan view thereof; and

FIG. 6 is a rear elevational view thereof.

The broken line representation of an outlet pipe in FIG. 1 is for designation purposes only and not a part of the claimed design.

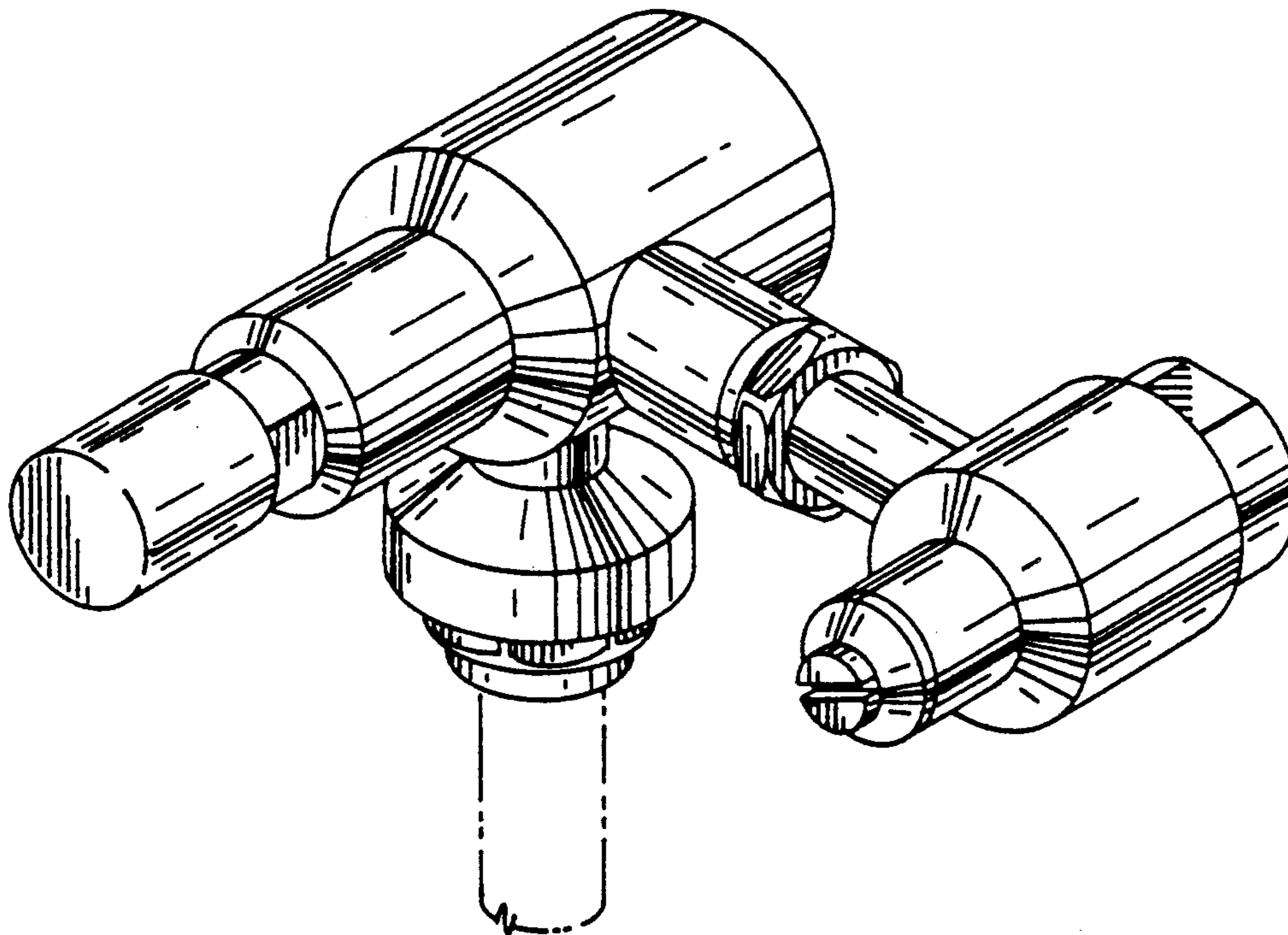


FIG. 1

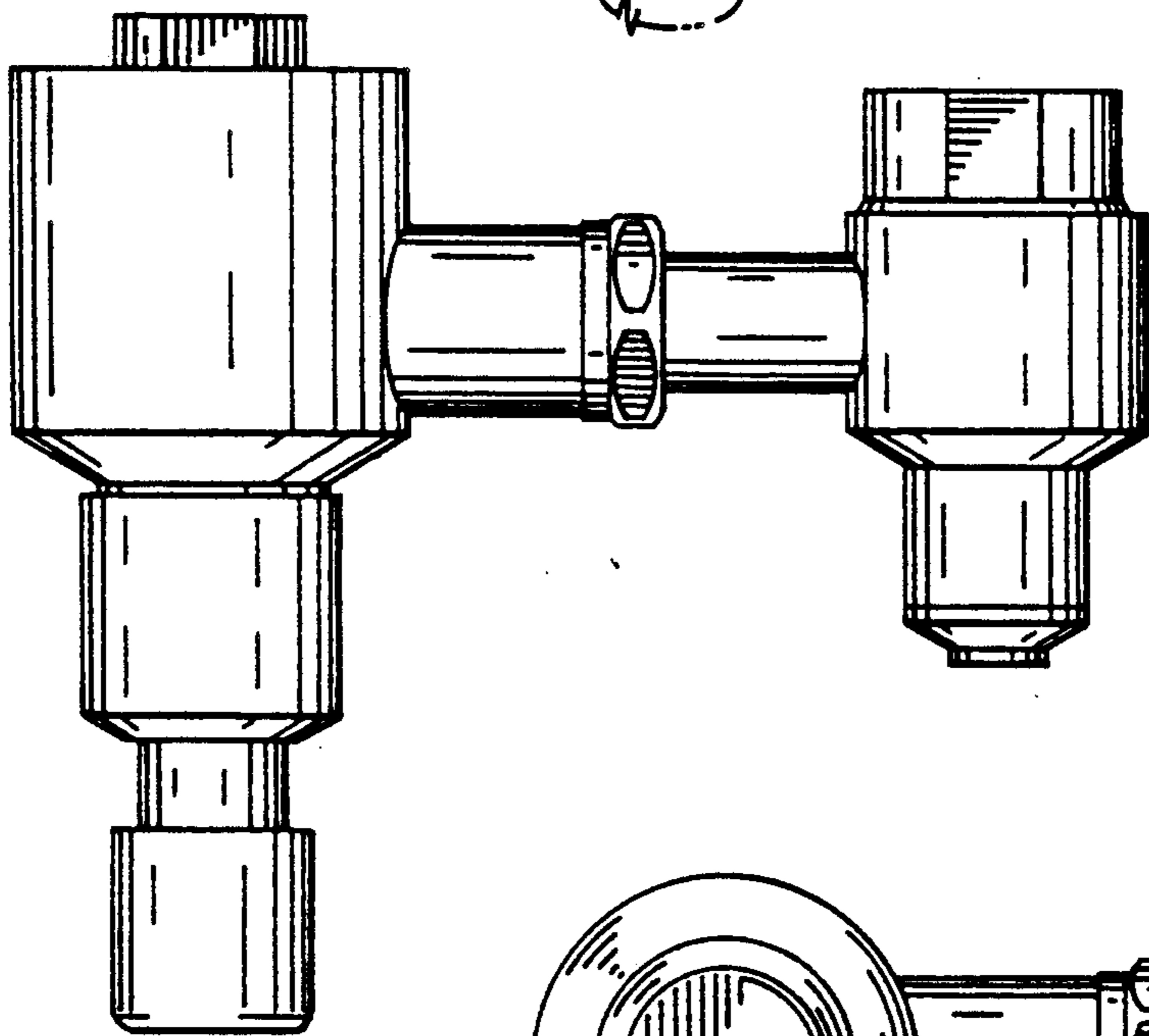
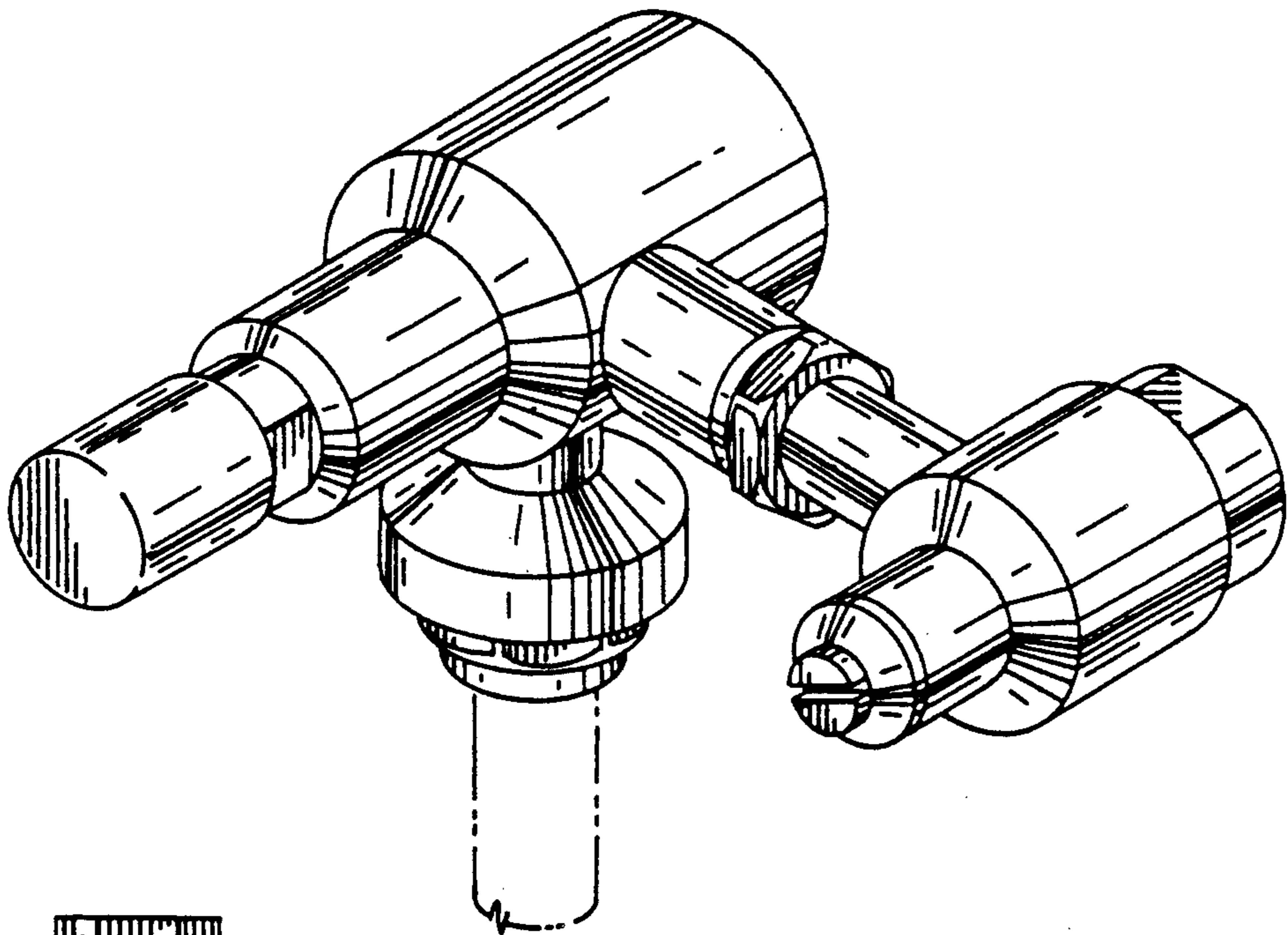


FIG. 2

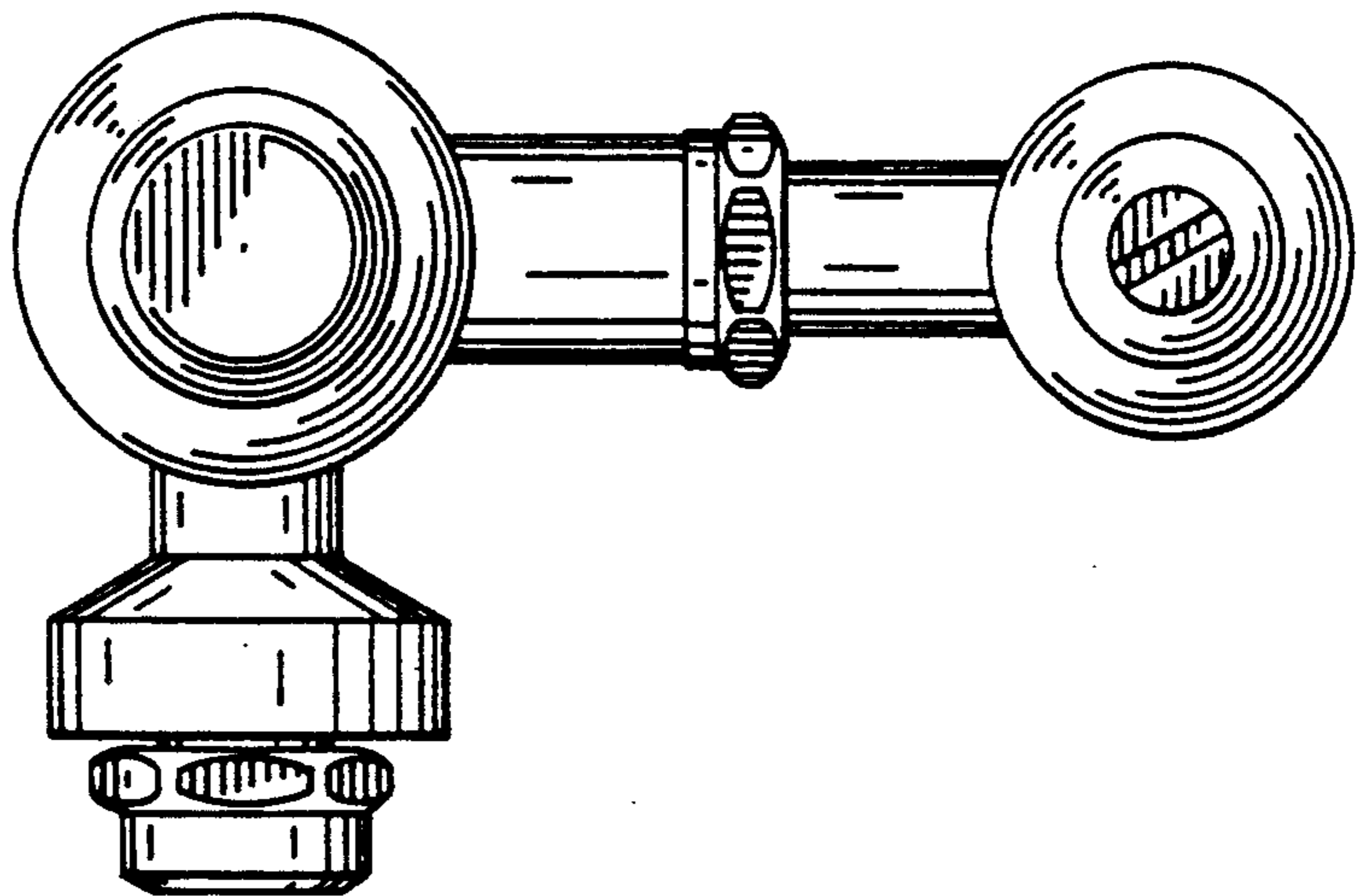


FIG. 3

FIG. 4

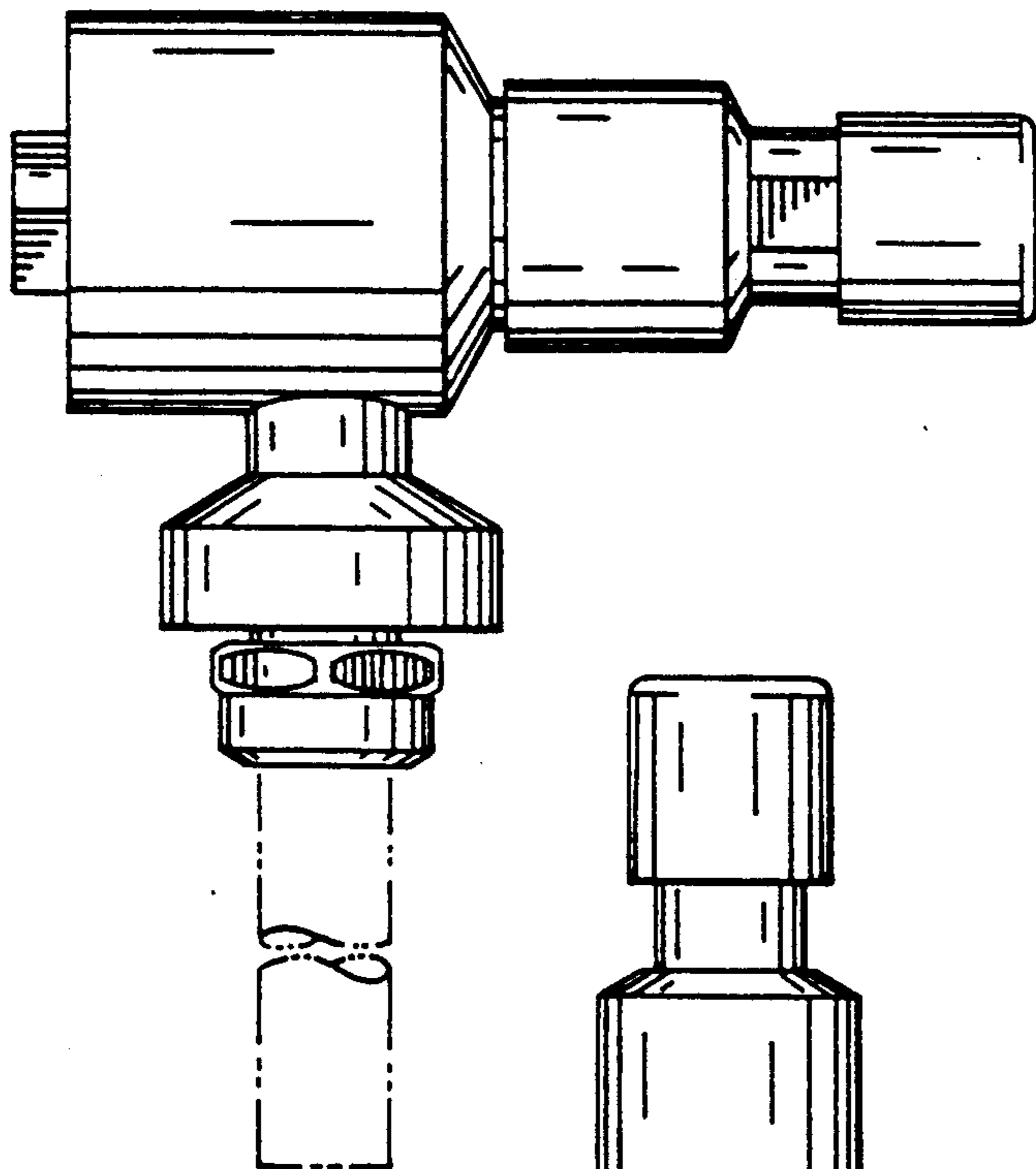


FIG. 5

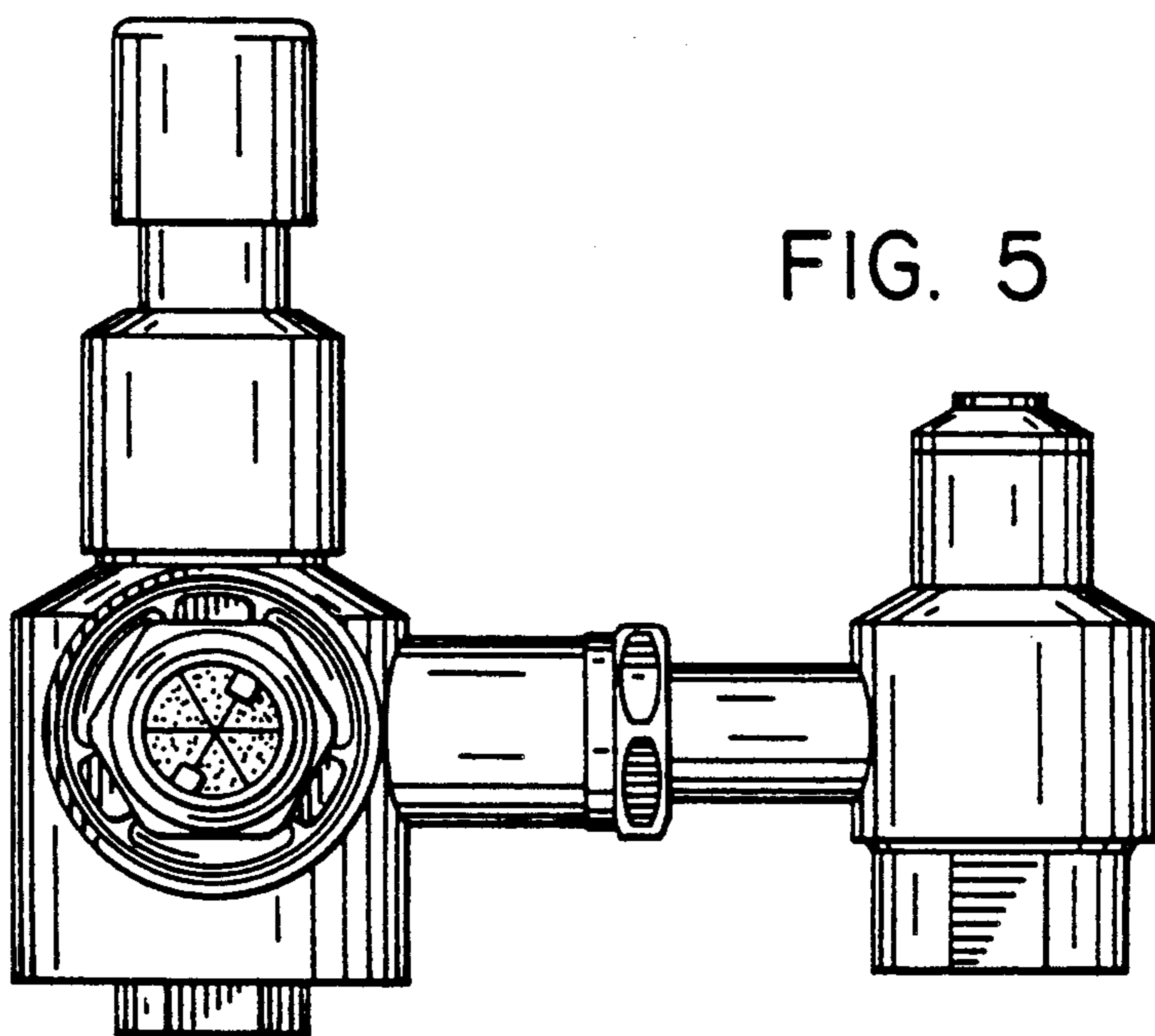


FIG. 6

