

[54] **SPRINKLER**
[75] **Inventor: Joseph T. Christ, Dyer, Ind.**
[73] **Assignee: Craft Creations Co., Inc., Dyer, Ind.**
[**] **Term: 14 Years**
[21] **Appl. No.: 270,112**

[22] **Filed: Nov. 14, 1988**
[52] **U.S. Cl. D23/215; D23/234**
[58] **Field of Search D23/213-221,**
D23/234; 239/200-206, 211, 230-233, 273,
275, 276, 505, 518-524, 556-557, 276, 222.11,
222.13, 222.15, 222.17, 222.19, 222.21, 223, 288,
288.3, 288.5, 390-392, 443-444, 456, 468, 558,
DIG. 1; 137/272, 280, 294-296

[56] **References Cited**
U.S. PATENT DOCUMENTS
D. 262,545 1/1982 Wolff D23/234 X

D. 282,099 1/1986 Tropiano D23/234
D. 307,402 4/1990 Rouse, Jr. et al. D23/215 X
2,759,766 8/1956 Thomas 137/280 X
4,550,876 11/1985 Kuleza et al. 239/211

Primary Examiner—Susan J. Lucas
Assistant Examiner—M. H. Tung
Attorney, Agent, or Firm—Marshall, O'Toole, Gerstein,
Murray & Bicknell

[57] **CLAIM**
The ornamental design for a sprinkler, as shown.

DESCRIPTION
FIG. 1 is a rear perspective view of a sprinkler showing
my new design;
FIG. 2 is a rear elevational view thereof;
FIG. 3 is a front elevational view thereof;
FIG. 4 is a top plan view thereof;
FIG. 5 is a bottom plan view thereof;
FIG. 6 is a right side elevational view thereof;
FIG. 7 is a left side elevational view thereof.

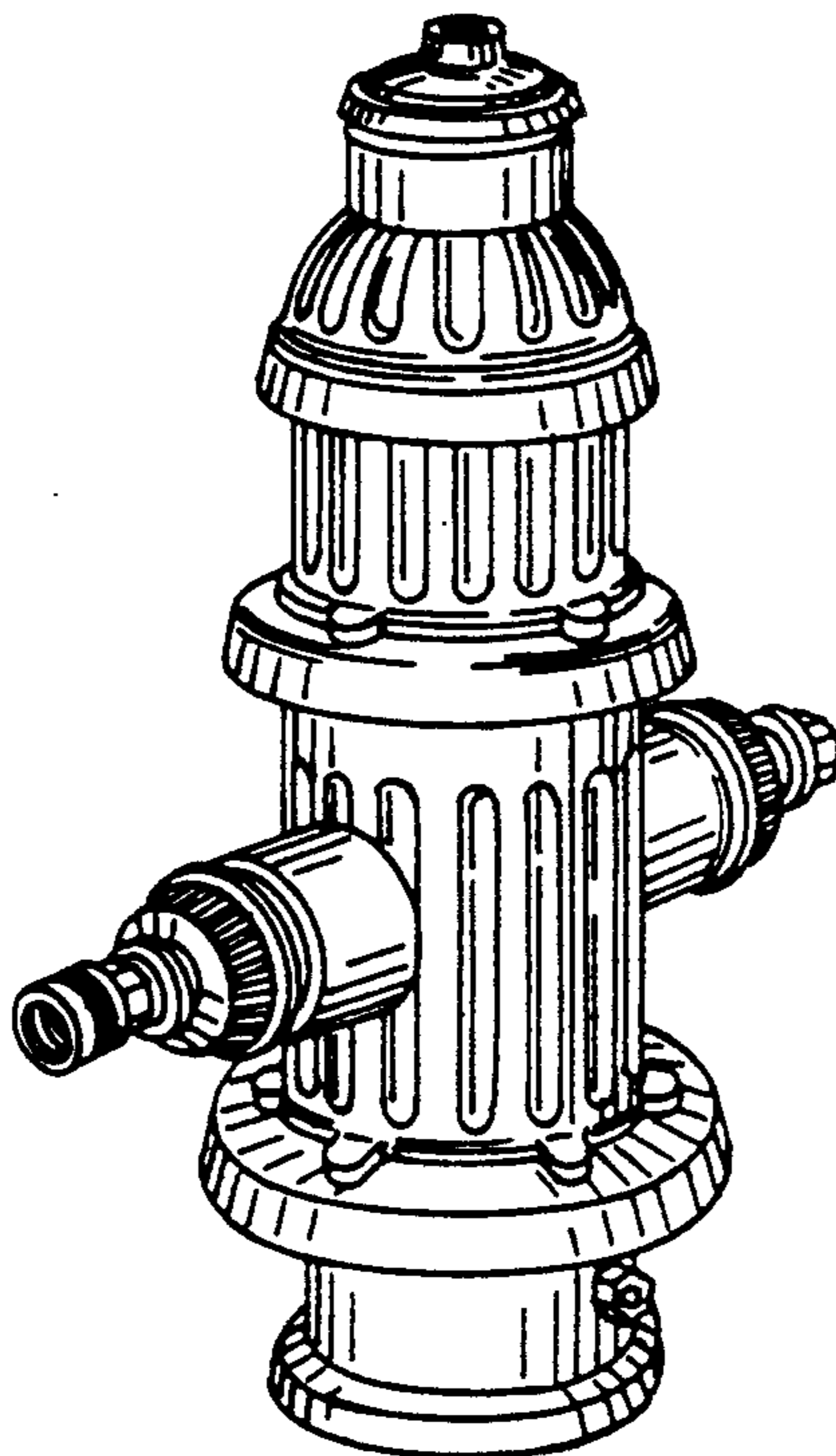


FIG. 1.

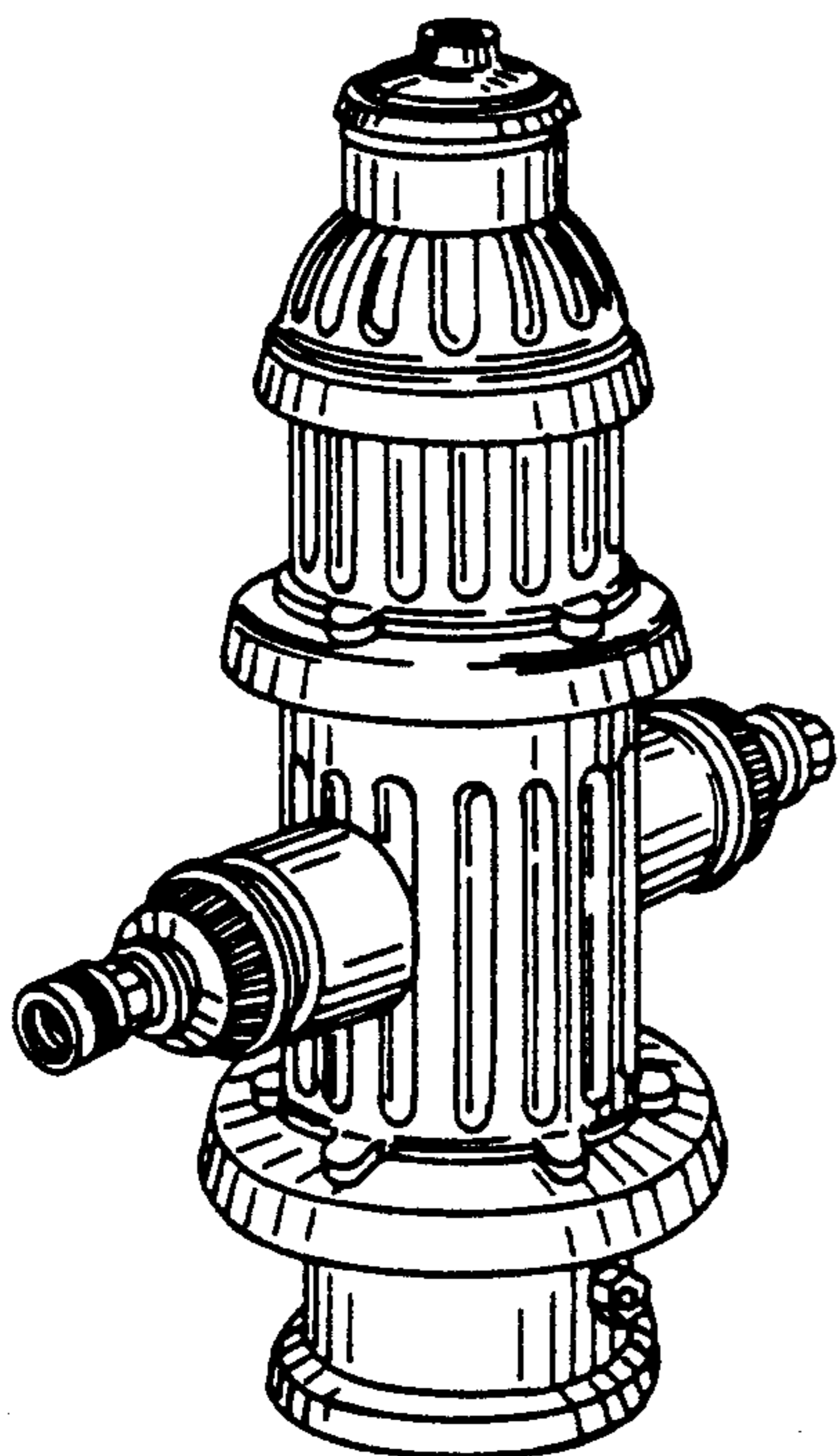


FIG. 2.

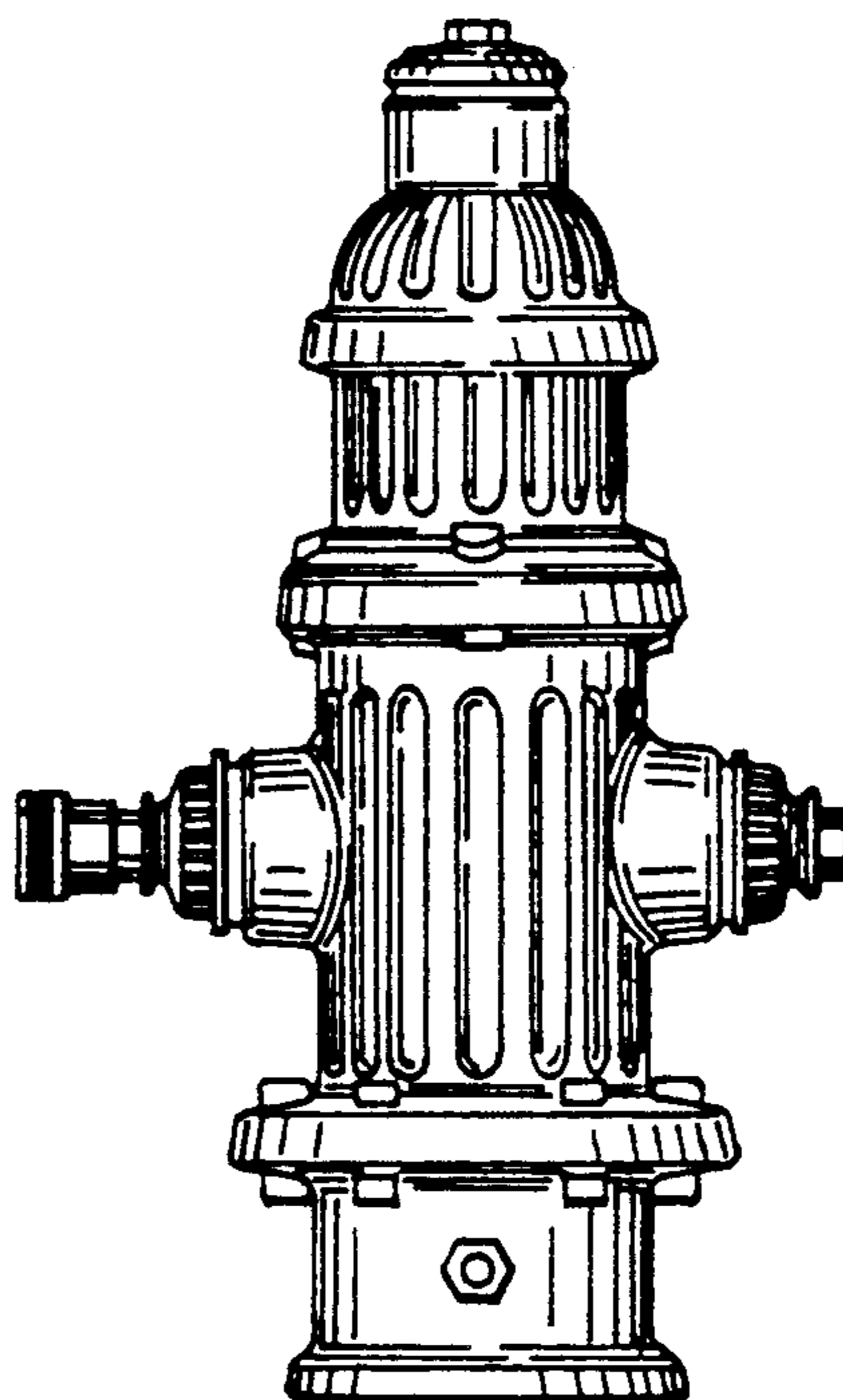


FIG. 3.

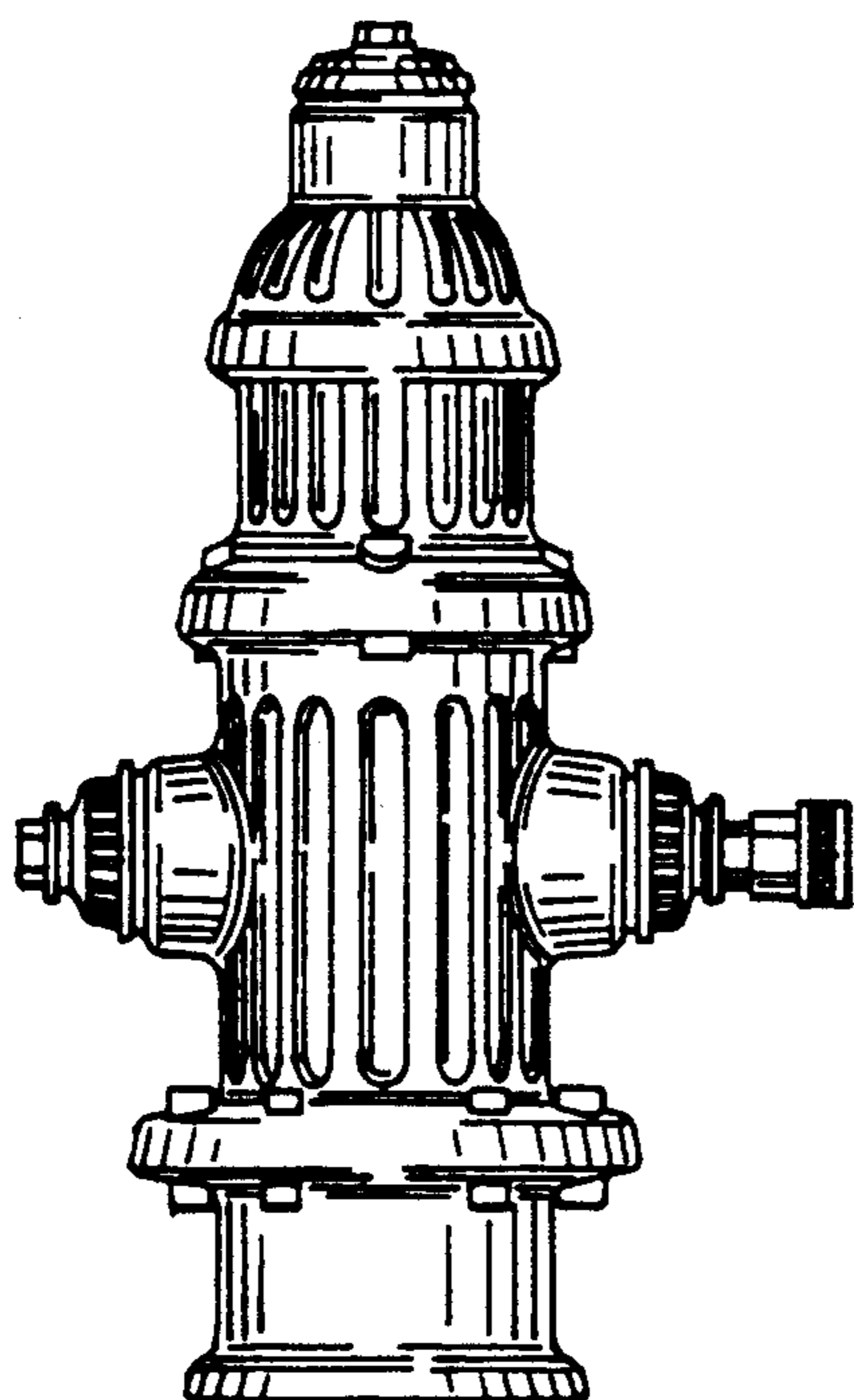


FIG. 4.

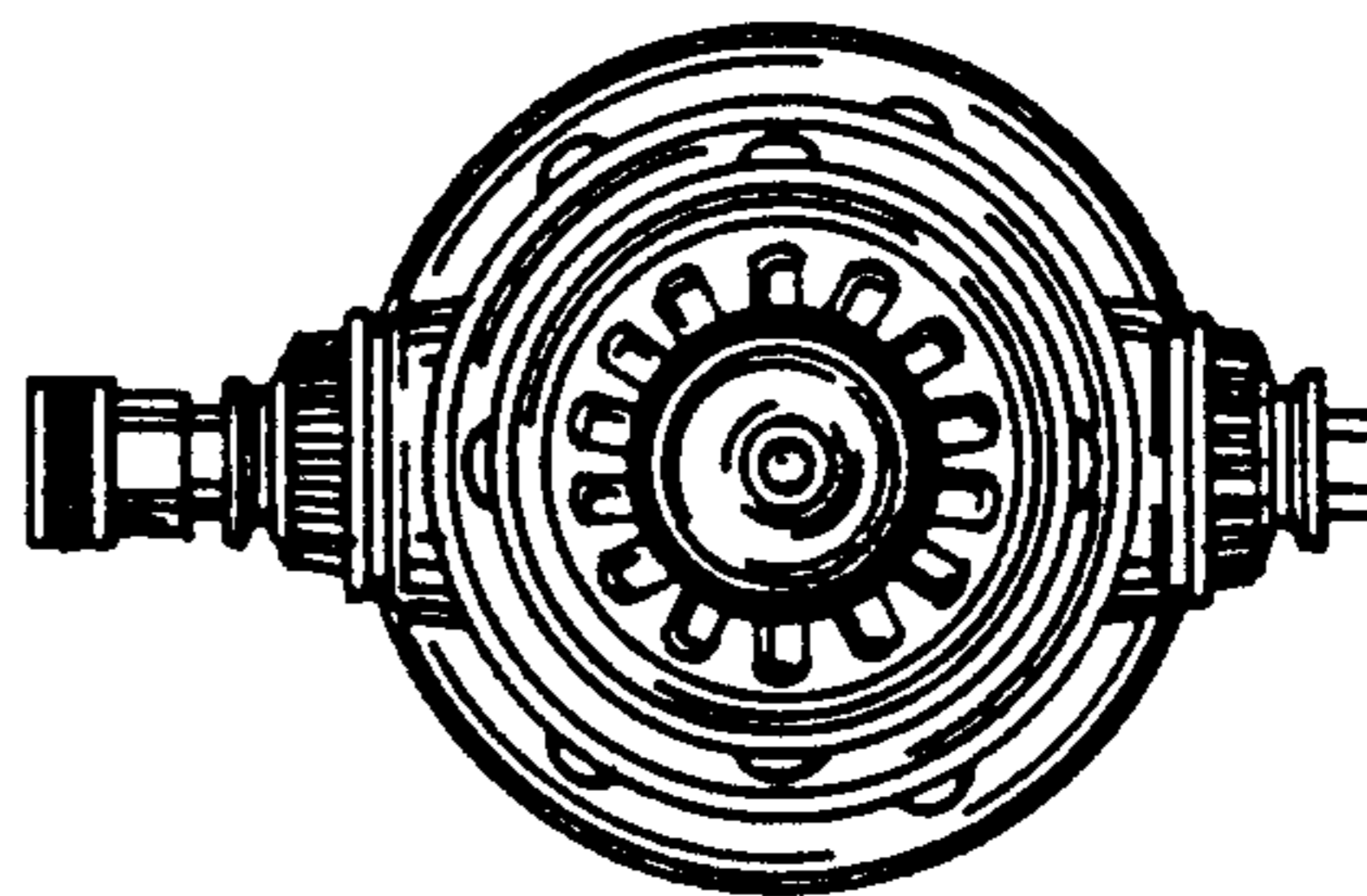


FIG. 5.

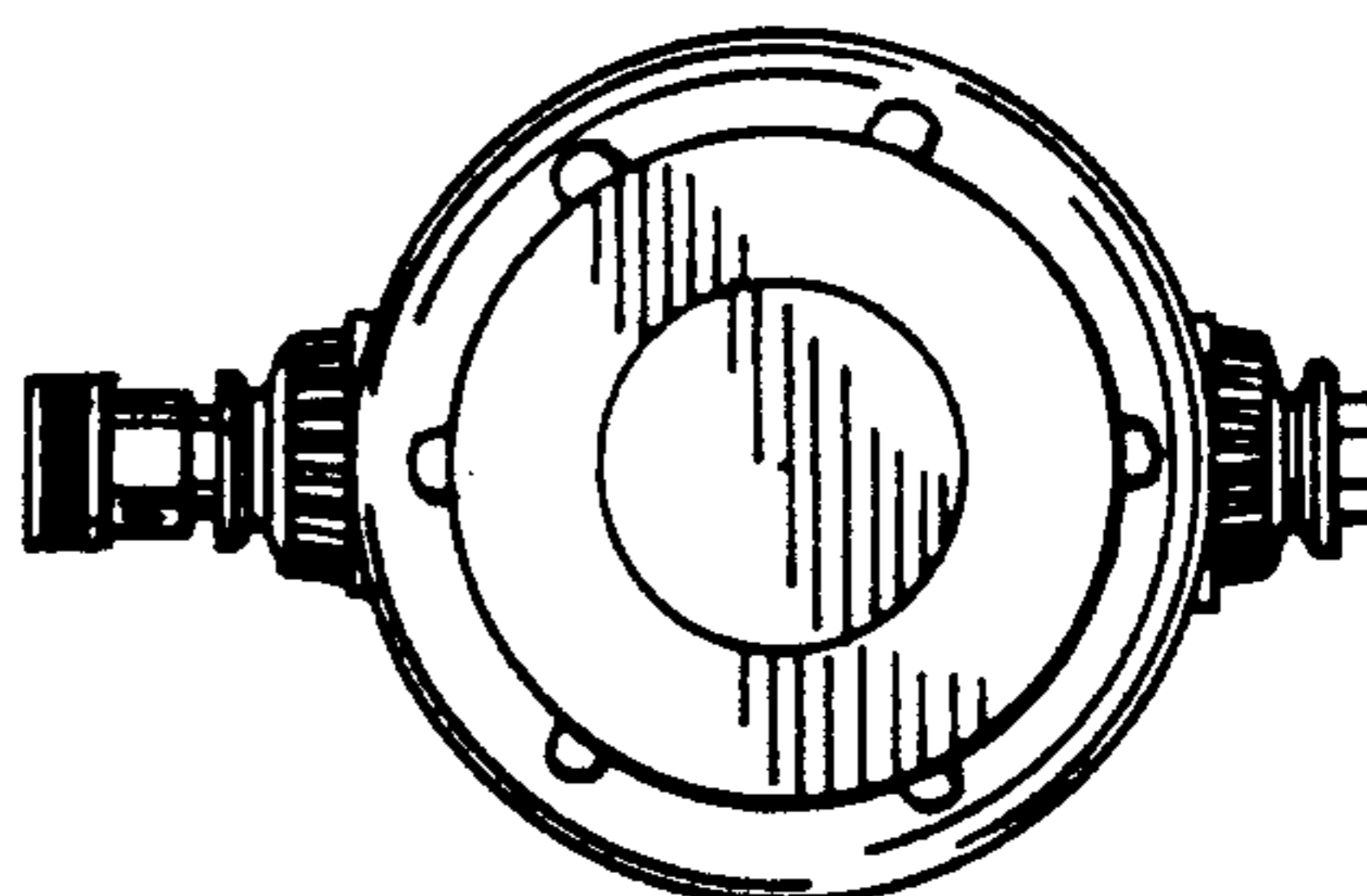


FIG. 6

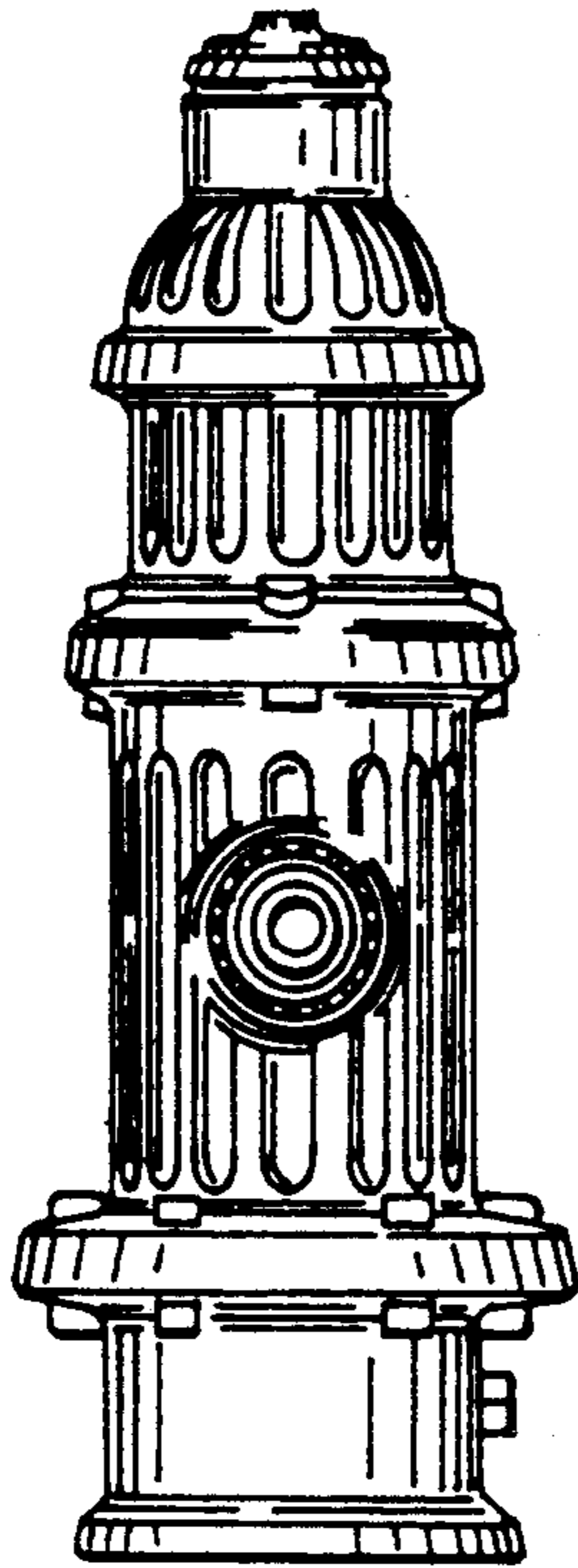


FIG. 7

