

[54] GOLF ACCESSORY HOLDER

[75] Inventors: Richard S. Viguers; Scott W. Beeninga; Randy O. Beeninga, all of Greensboro, N.C.

[73] Assignee: Kaddee International Corporation, Greensboro, N.C.

[**] Term: 14 Years

[21] Appl. No.: 435,782

[22] Filed: Nov. 13, 1989

[52] U.S. Cl. D21/234

[58] Field of Search D21/234, 208; D3/104, D3/105, 106, 100, 102; 273/32 D, 32 B; 224/918, 919; 206/315.3, 315.5, 315.9

[56] References Cited

U.S. PATENT DOCUMENTS

D. 178,123 6/1956 Harke D21/234

D. 195,472 6/1963 Zimmers D21/234
2,665,830 6/1949 Fowler 224/919
3,128,021 4/1964 Habbena D21/234

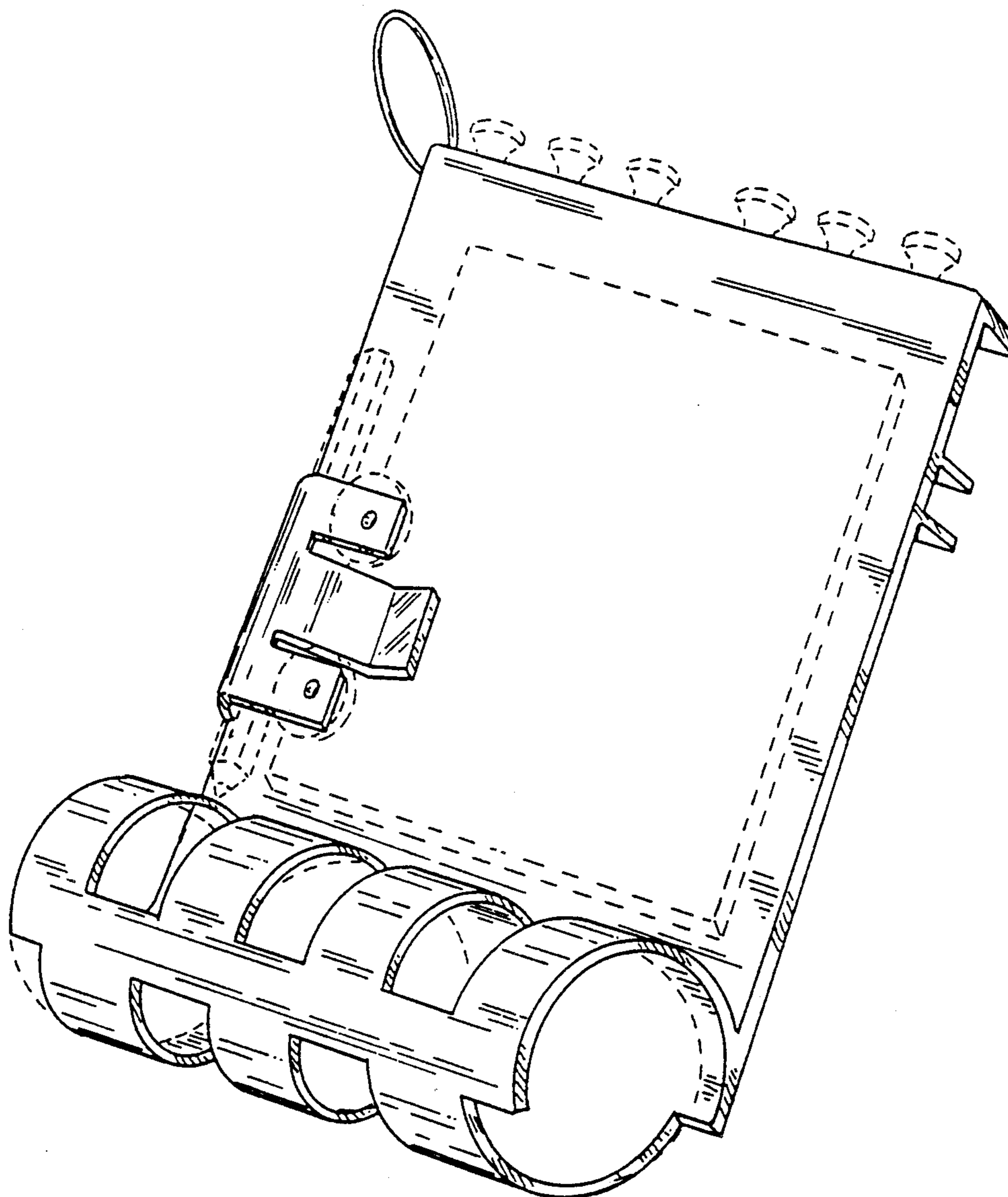
Primary Examiner—Melvin B. Feifer
Assistant Examiner—Philip Hyder
Attorney, Agent, or Firm—Rhodes, Coats & Bennett

[57] CLAIM

The ornamental design for a golf accessory holder, as shown and described.

DESCRIPTION

FIG. 1 is a perspective view of a golf accessory holder showing my new design;
FIG. 2 is an enlarged rear perspective view thereof;
FIG. 3 is a further enlarged front perspective view thereof; and
FIG. 4 is a right side elevation view thereof.
The broken line showing of the golf bag and golf accessories in FIGS. 1 and 3 is for illustrative purposes only and forms no part of the claimed design.



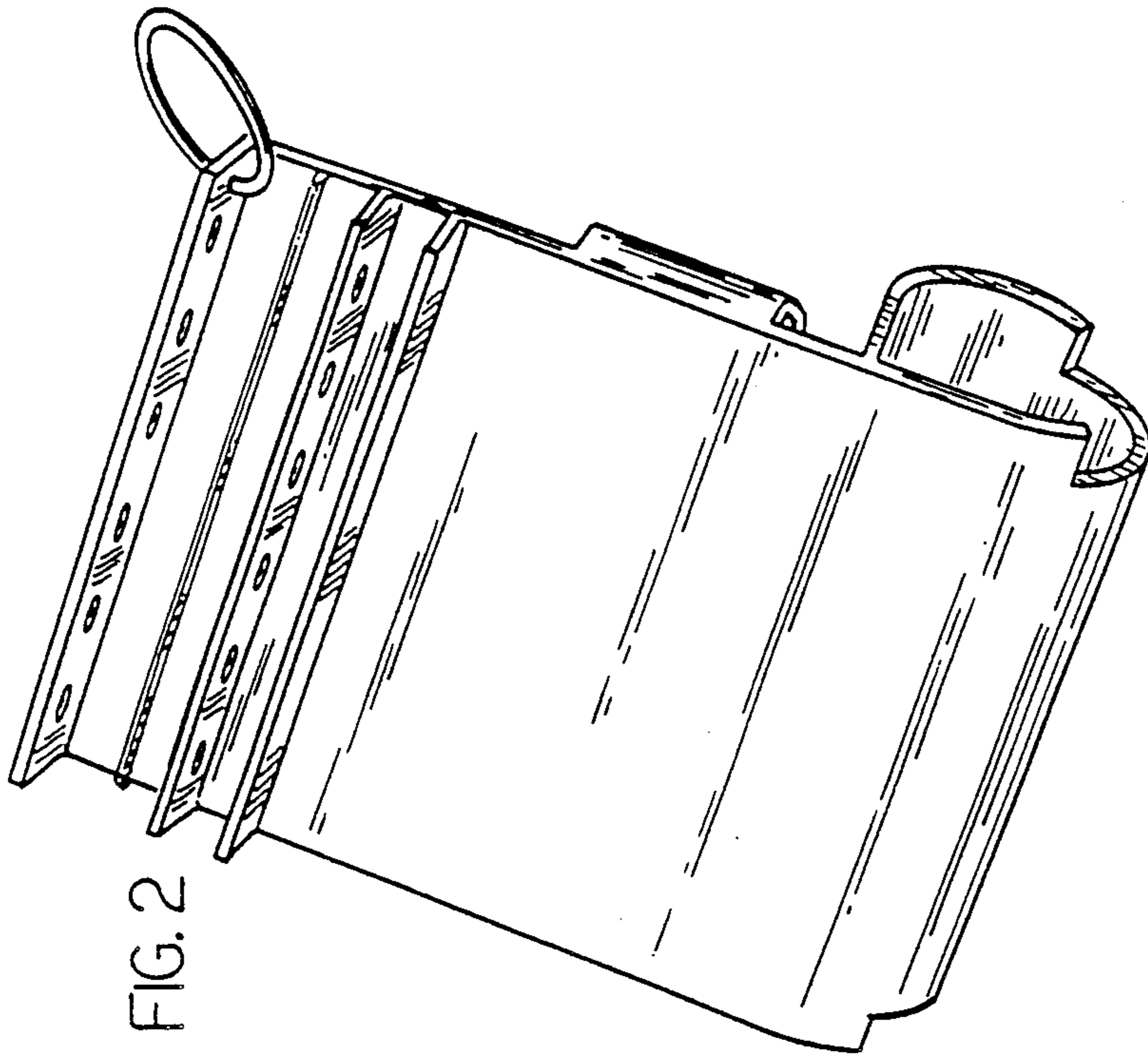


FIG. 2

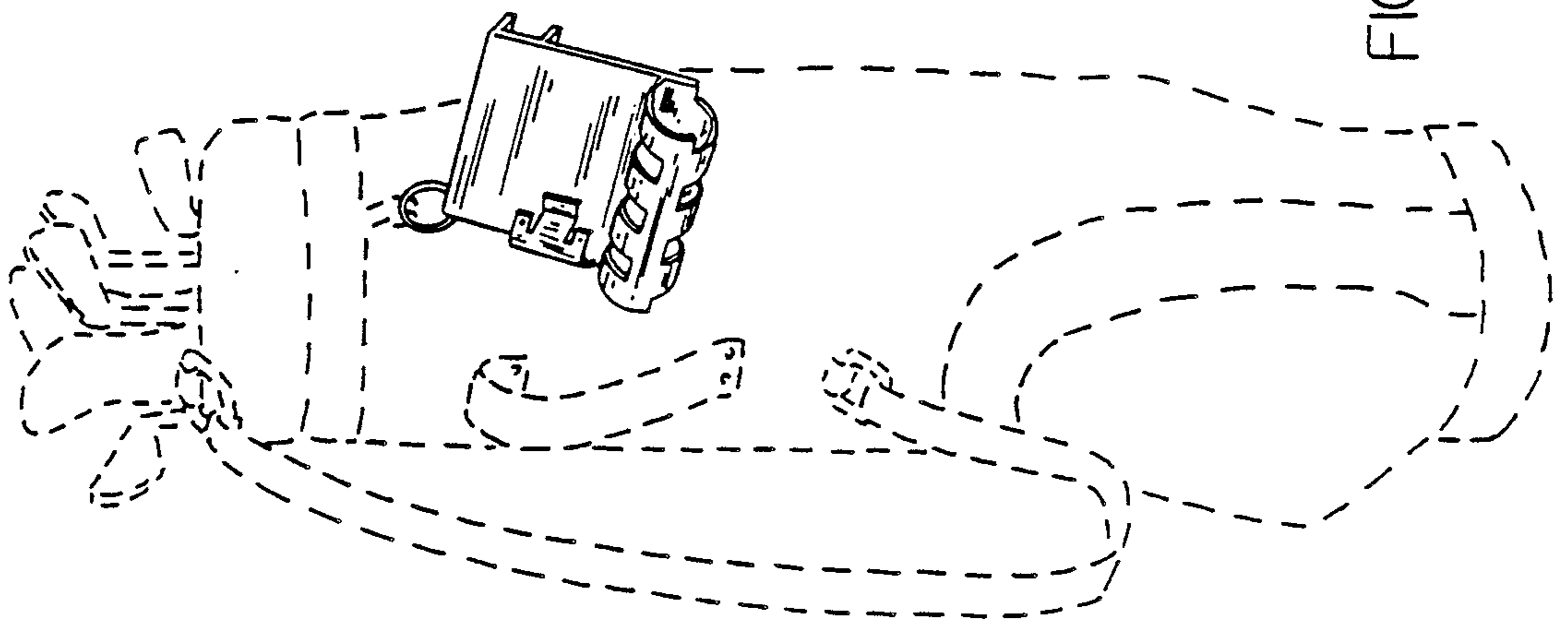


FIG. 1

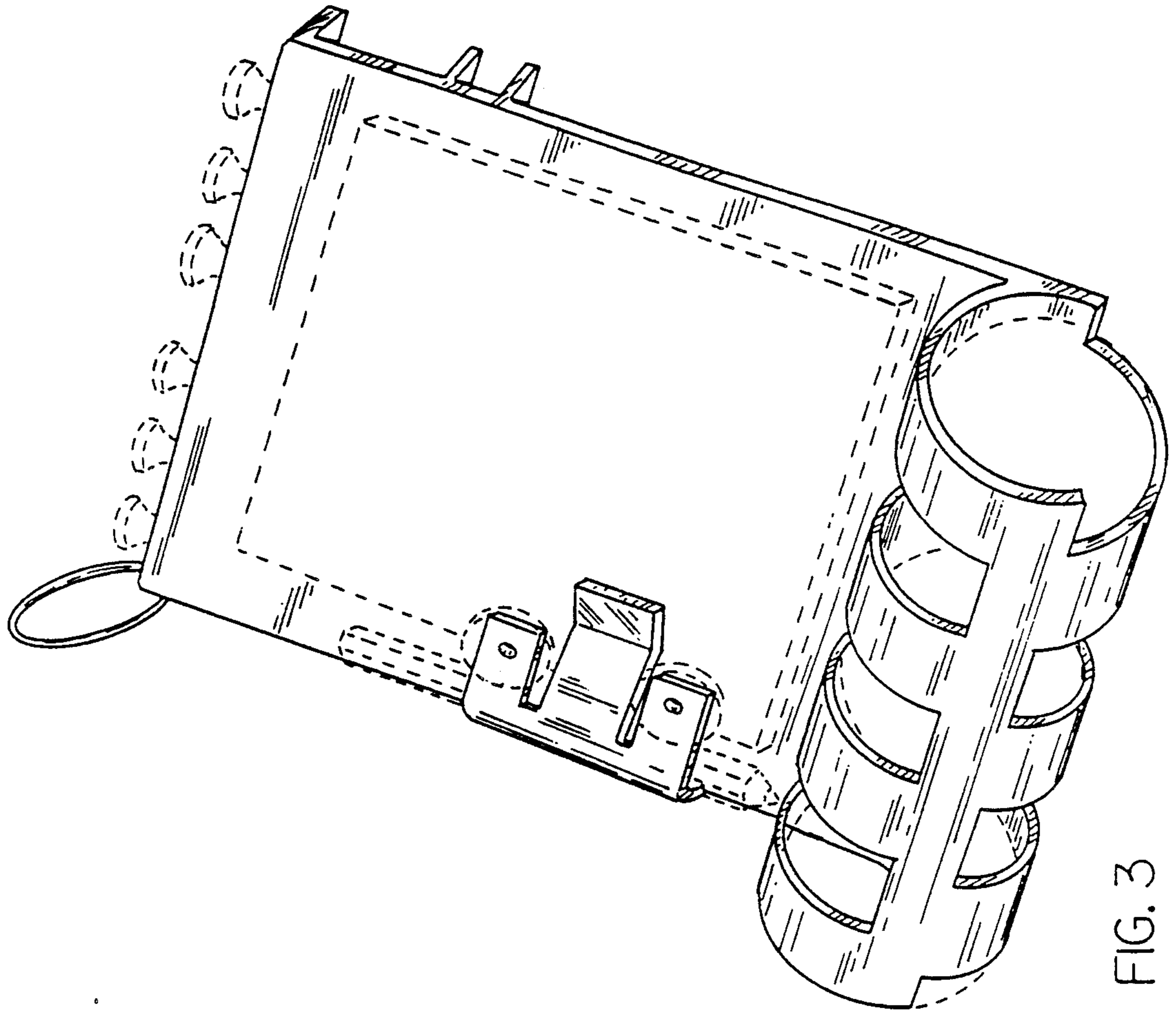


FIG. 3

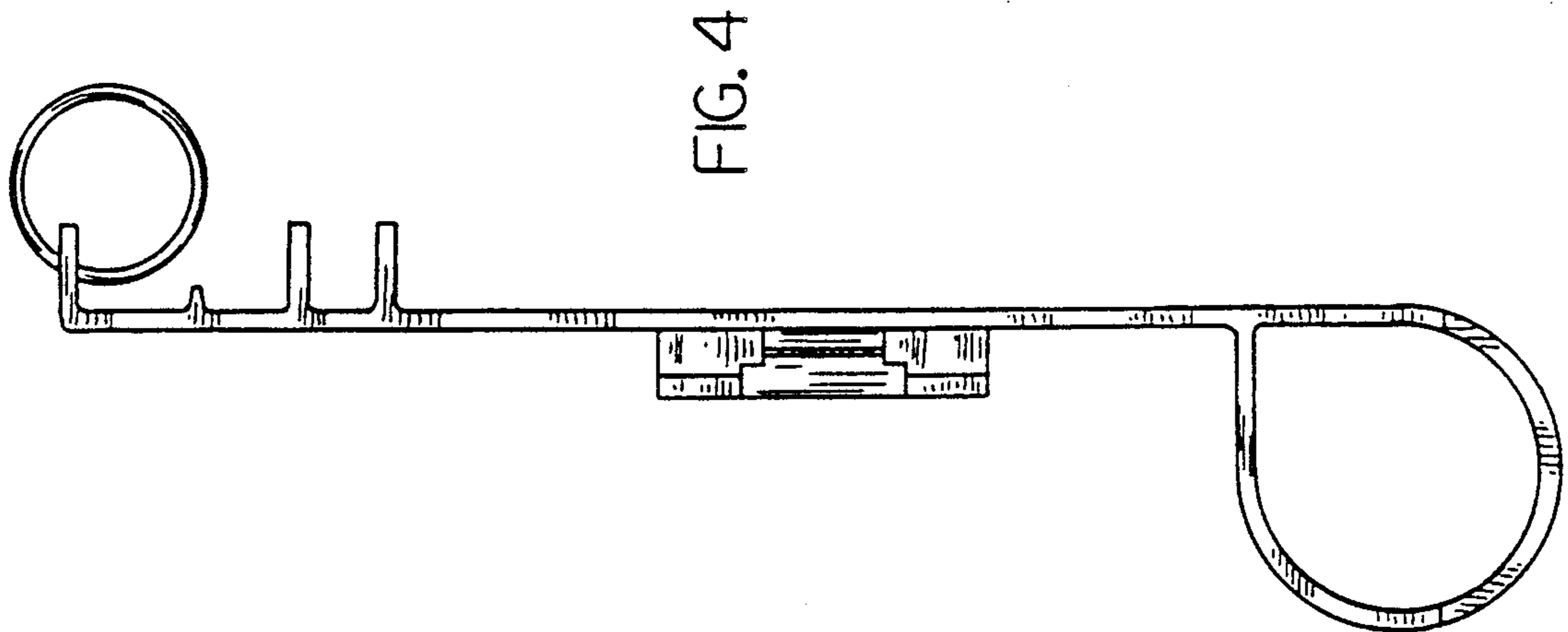


FIG. 4