

[54] LOWER BODY PHYSICAL EXERCISER

[76] Inventor: Yuan-Hung Lo, 3Fl., No. 85, Sec. 2, Chien-Kuo North Road, Taipei, Taiwan

[**] Term: 14 Years

[21] Appl. No.: 193,865

[22] Filed: May 13, 1988

[52] U.S. Cl. D21/191

[58] Field of Search D21/191-199; 272/56, 96, 101-103, 119, 134, 143, 144

[56] References Cited

U.S. PATENT DOCUMENTS

D. 304,358	10/1989	Armstrong	D21/195
3,119,613	1/1964	Zbyszko	D21/191
4,323,231	4/1982	Wilson	272/144

FOREIGN PATENT DOCUMENTS

1297749	1/1962	France	272/96
2364044	9/1976	France	272/144
998243	7/1965	United Kingdom	272/96

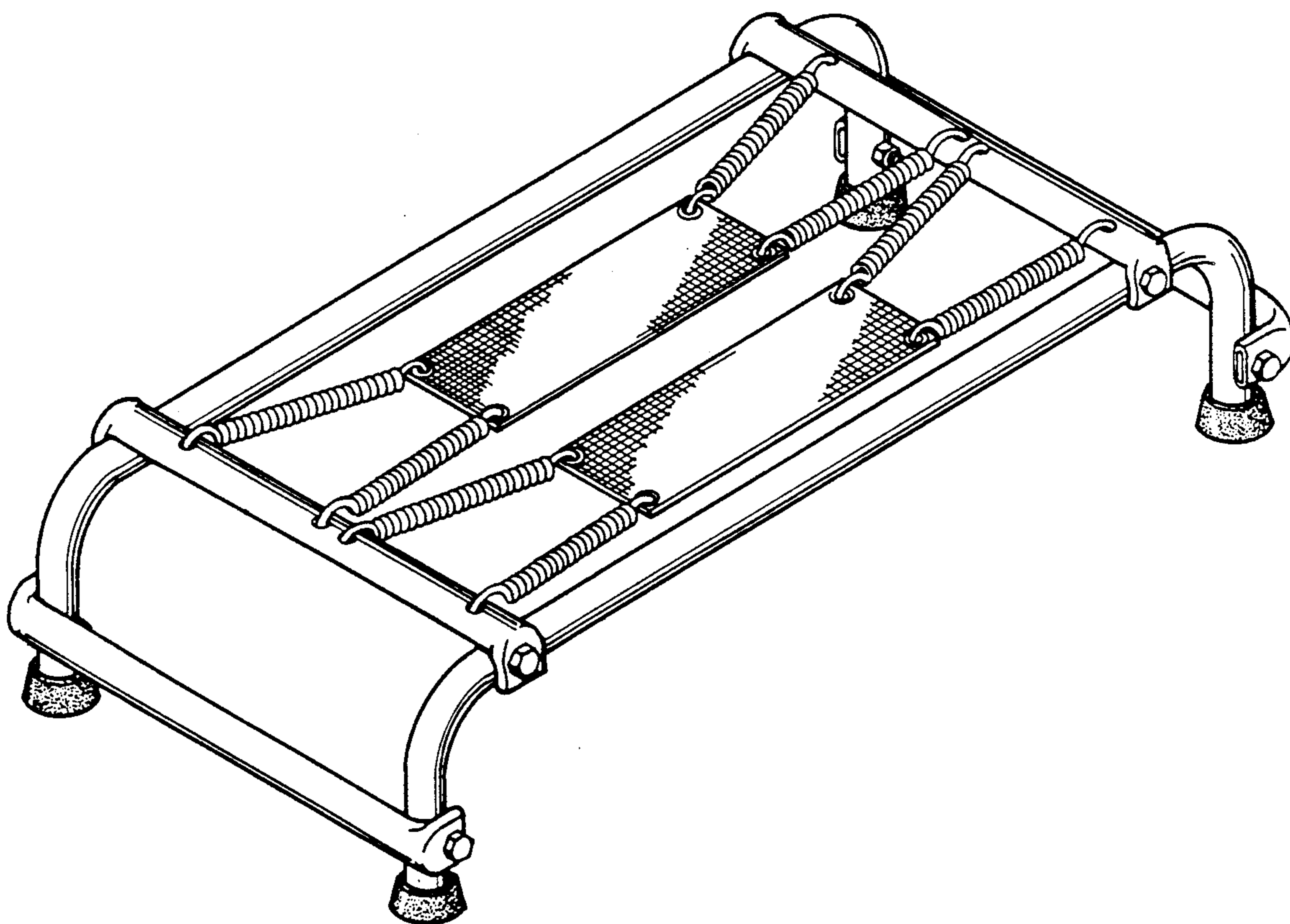
Primary Examiner—Charles A. Rademaker
Attorney, Agent, or Firm—Townsend and Townsend

[57] CLAIM

The ornamental design for a lower body physical exerciser, as shown and described.

DESCRIPTION

FIG. 1 is a side elevational view of a lower body physical exerciser showing my new design; FIG. 2 is a front elevational view thereof, the side opposite being substantially identical; FIG. 3 is a top plan view thereof; FIG. 4 is a bottom plan view thereof; and, FIG. 5 is a front perspective view thereof.



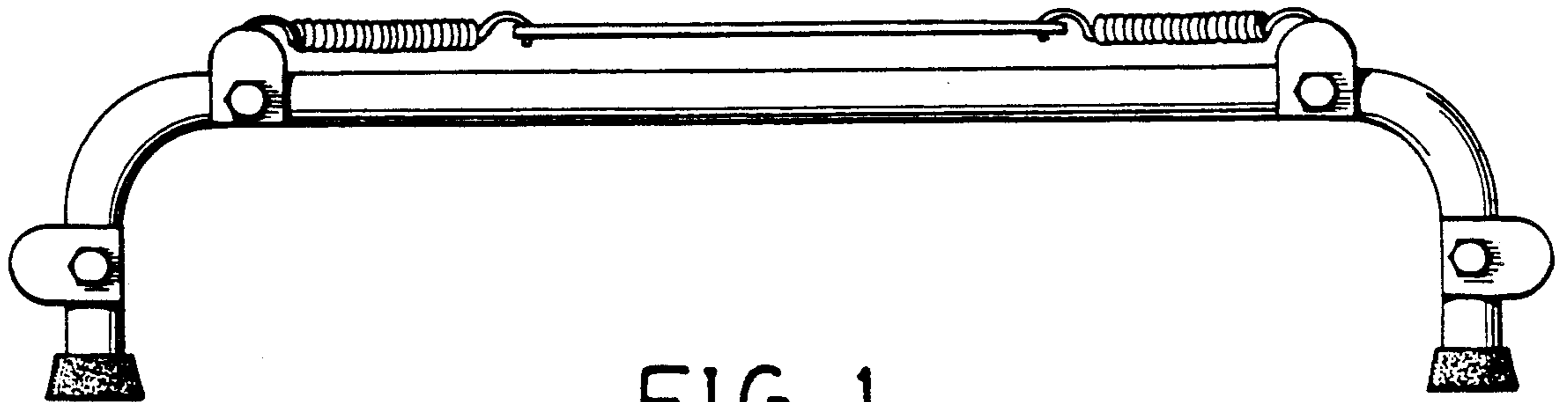


FIG. 1

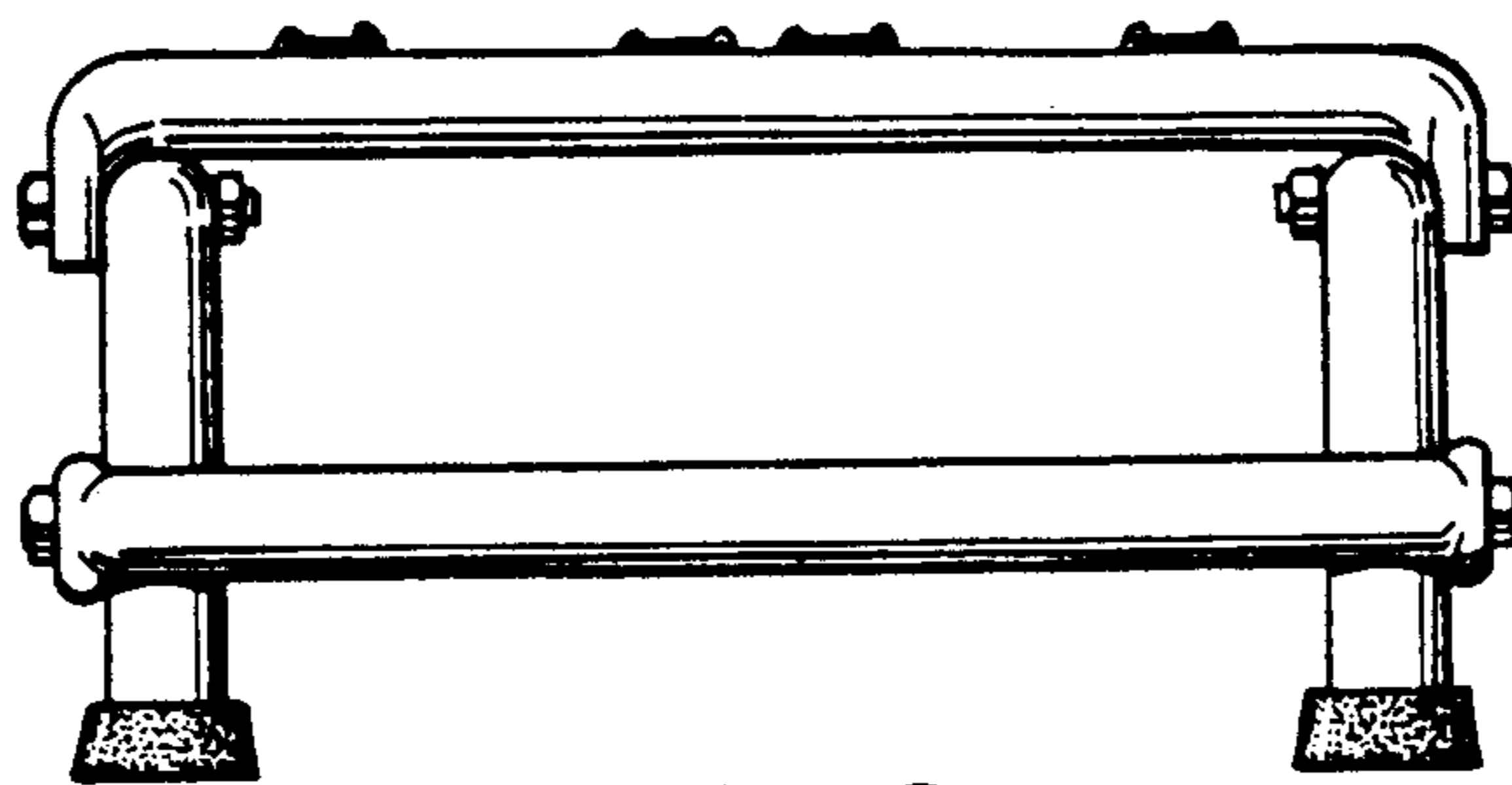


FIG. 2

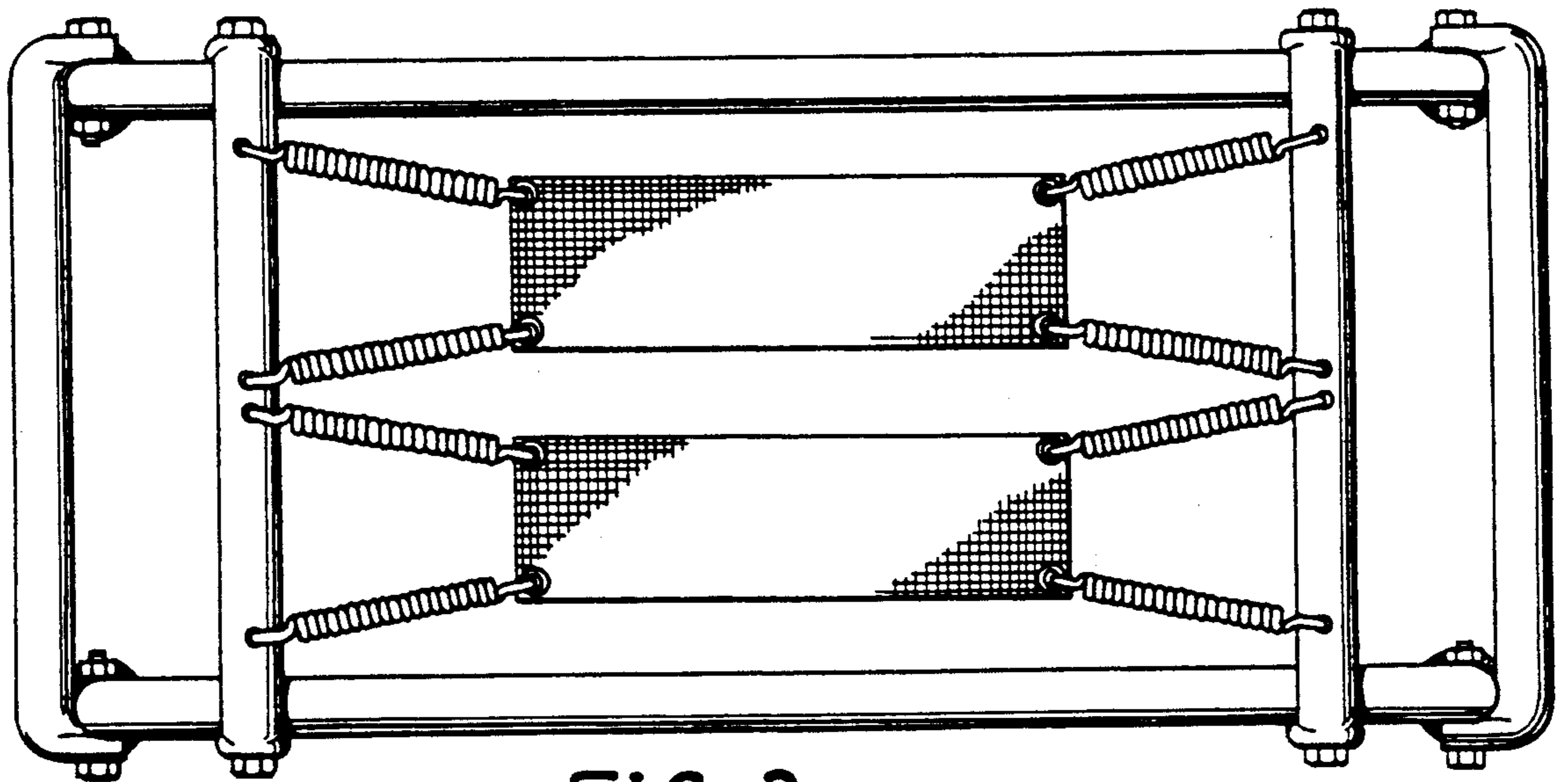


FIG. 3

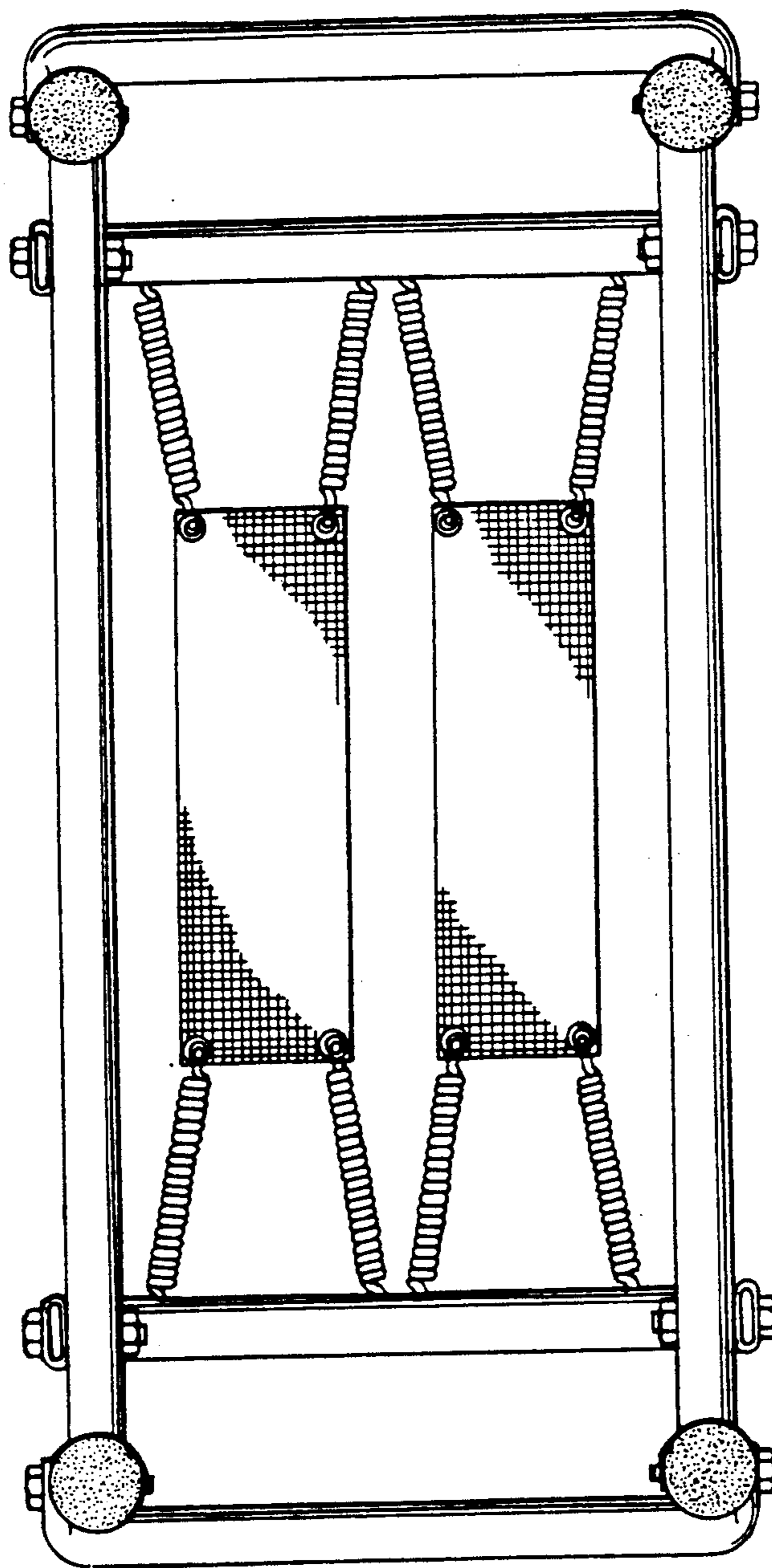


FIG. 4

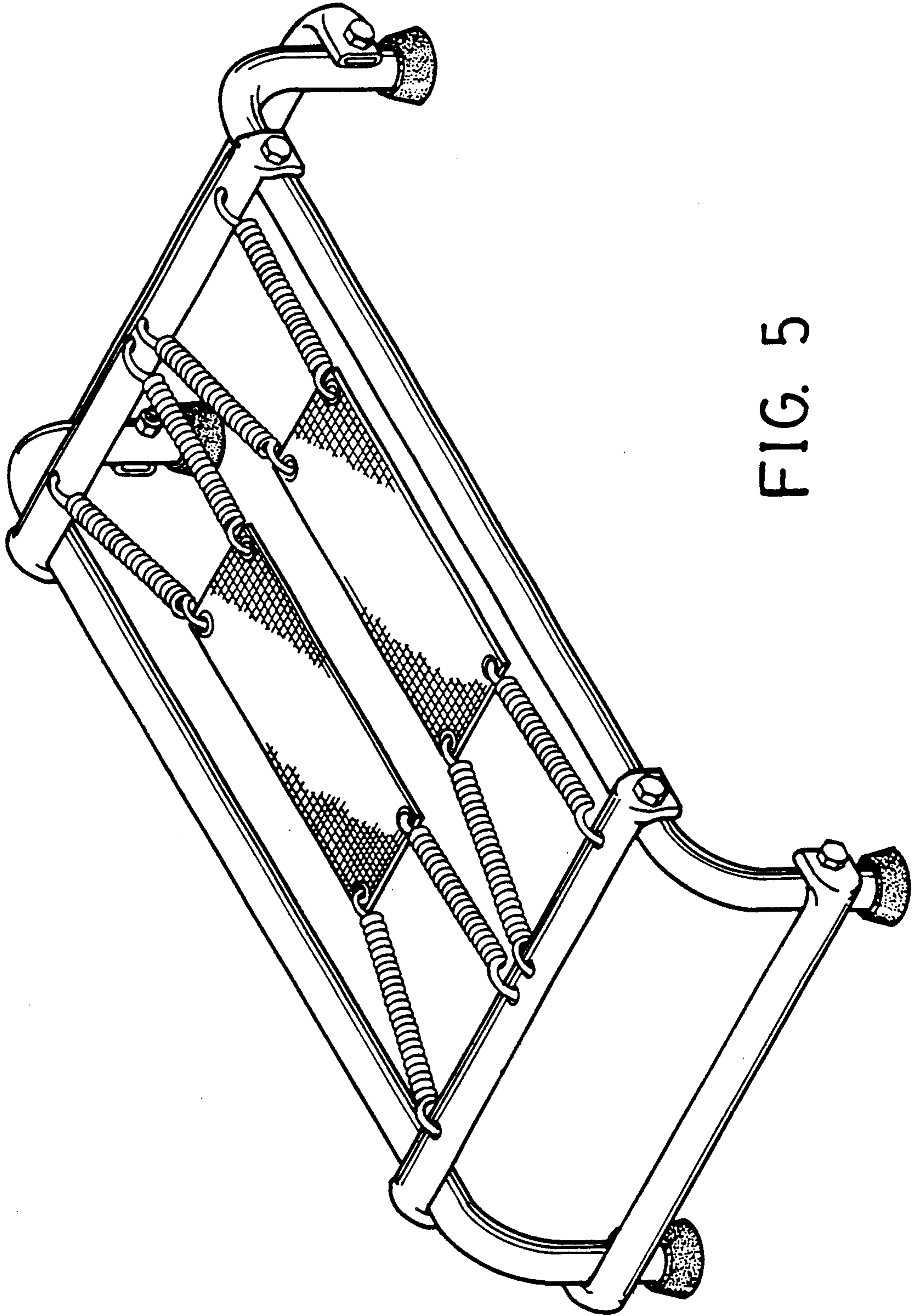


FIG. 5