

[54] MEDICAL FOLDER

4,907,634 3/1990 Yoo 150/135

[76] Inventor: **Thomas J. Bishop**, Ten Lamson Rd.,
Barrington, R.I. 02806

Primary Examiner—Wallace R. Burke
Assistant Examiner—Pamela J. Schmidt
Attorney, Agent, or Firm—Salter & Michaelson

[**] Term: **14 Years**

[57] **CLAIM**

[21] Appl. No.: **347,932**

The ornamental design for a medical folder, as shown
and described.

[22] Filed: **May 5, 1989**

[52] U.S. Cl. **D19/26; D3/30.1;**
D3/42

DESCRIPTION

[58] **Field of Search** D19/1, 2, 26, 27, 28,
D19/32, 86; 150/135, 152; 206/214, 215, 232;
281/22, 15.1, 16, 19.1, 29, 31; D3/60, 30.1, 42,
52, 66

FIG. 1 is a top perspective view of a medical folder
showing my new design, the undisclosed bottom being
the same;

FIG. 2 is a top plan view thereof, in an opened position
with the flap unfolded to the right; and

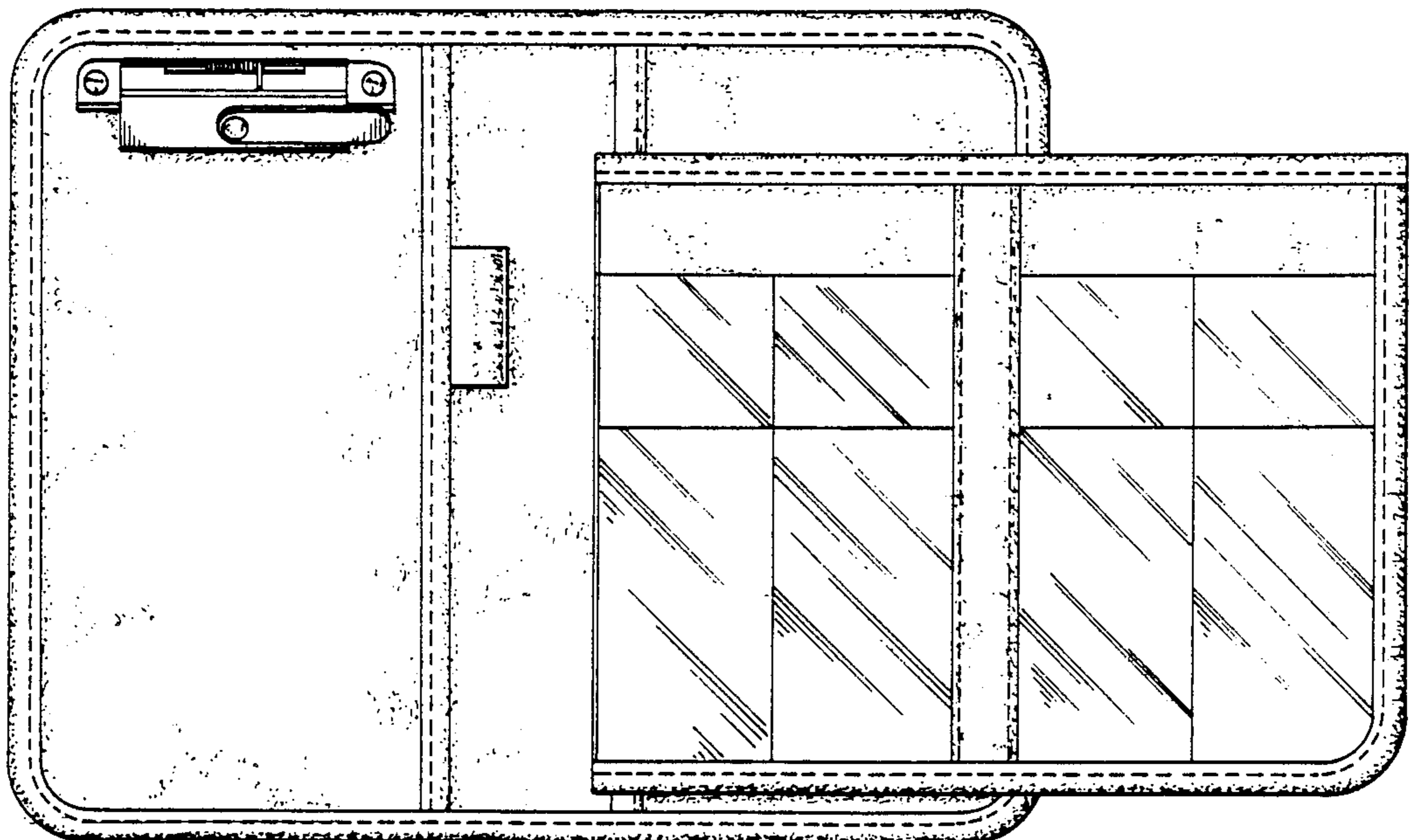
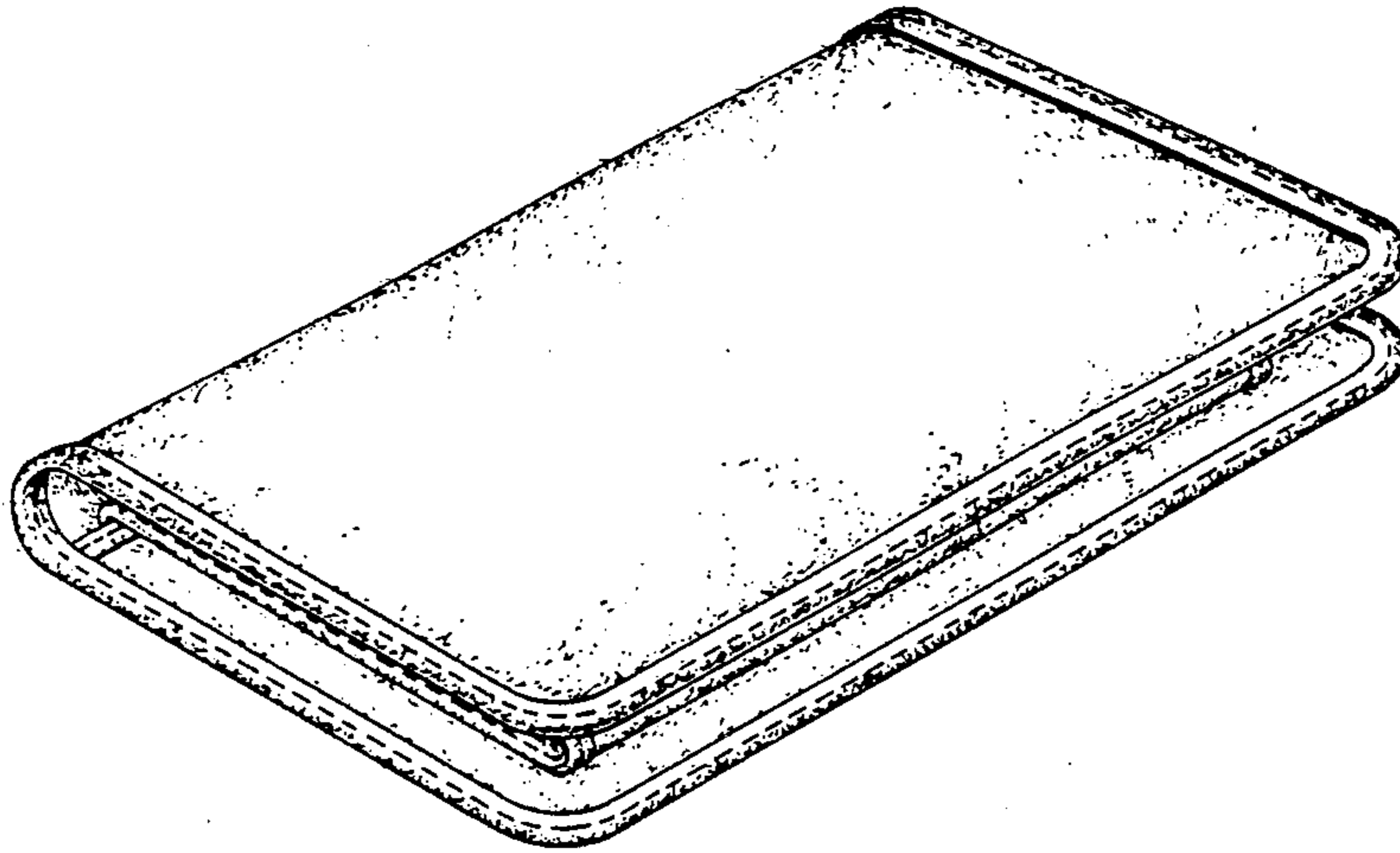
FIG. 3 is a top plan view thereof, in an opened position
with the flap unfolded to the left.

The broken line showing of FIGS. 2 and 3 is for illustrative
purposes only and forms no part of the claimed
design.

[56] **References Cited**

U.S. PATENT DOCUMENTS

D. 222,602 11/1971 Petrie D3/56
3,946,781 3/1976 Reis D3/60 X



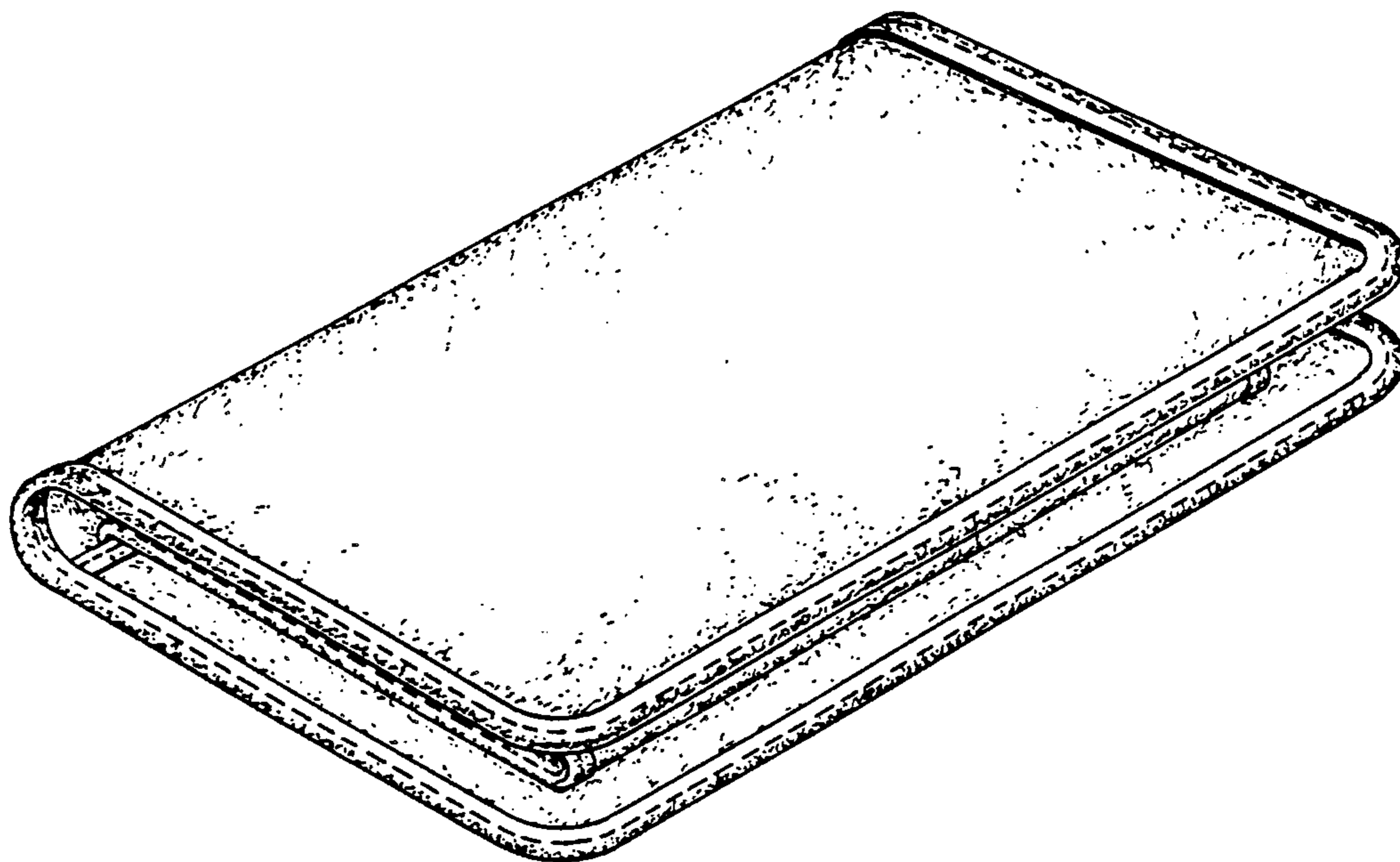


FIG. 1

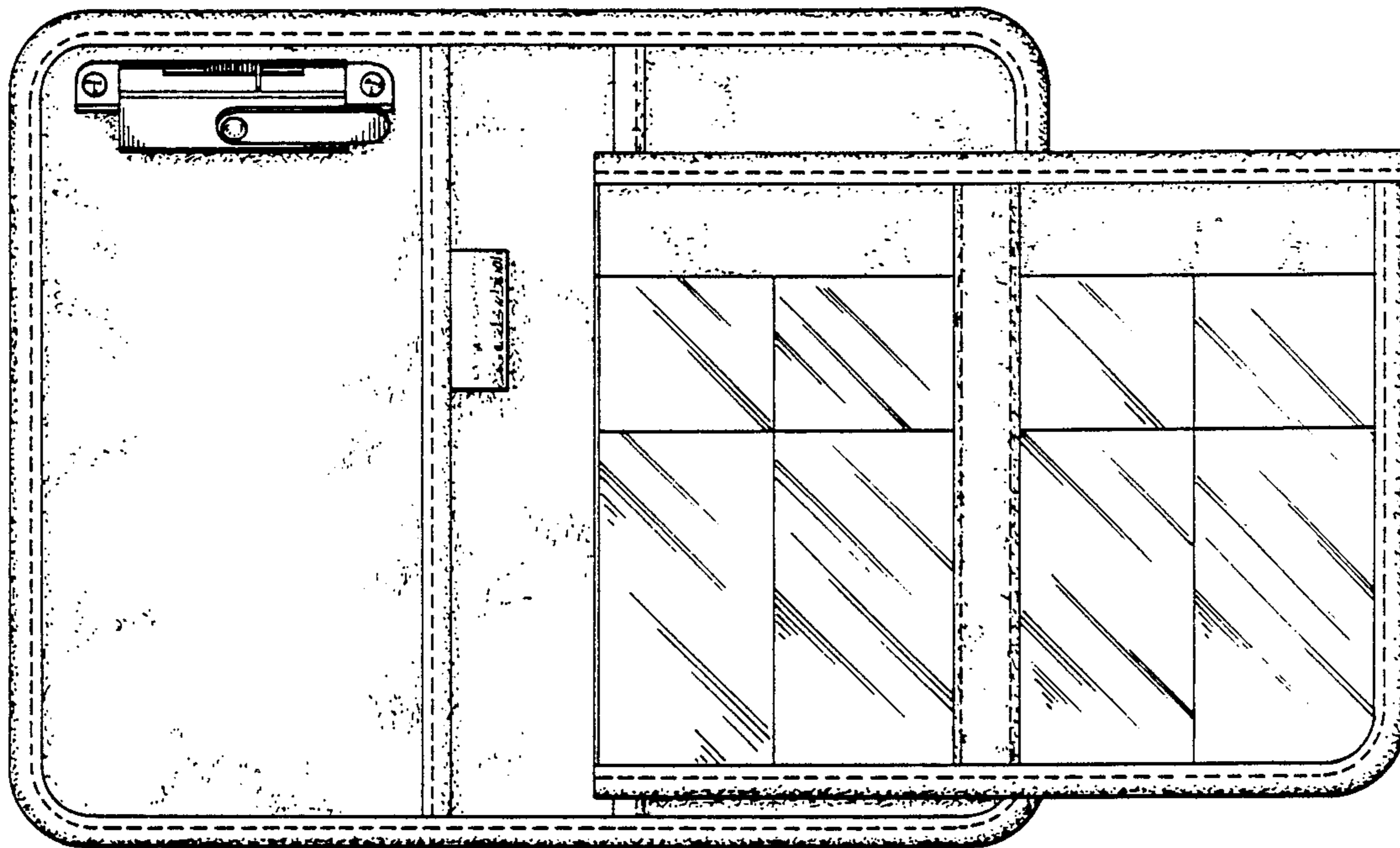


FIG. 2

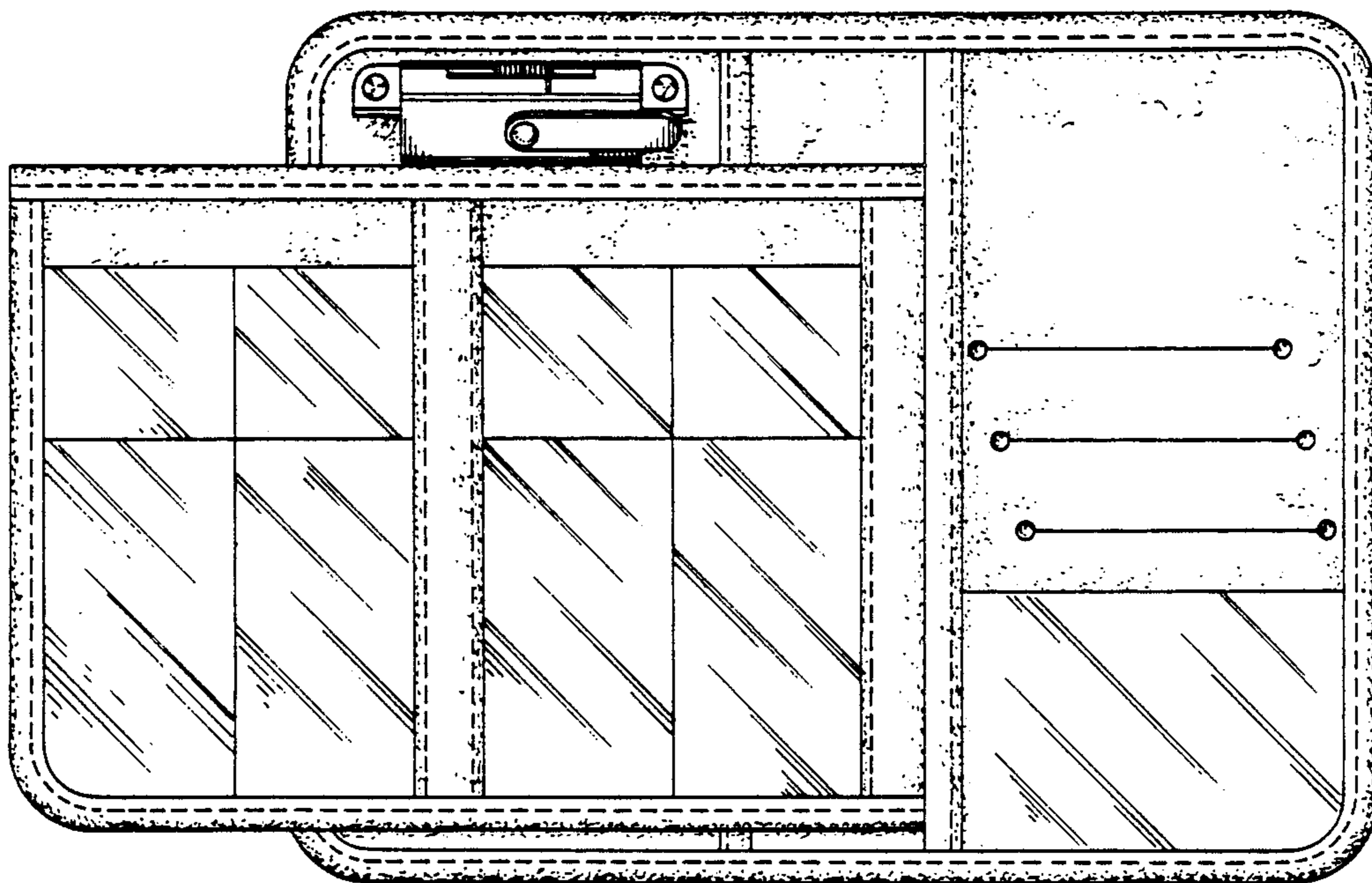


FIG. 3