

[54] PRINTING HEAD FOR A PRINTER OF A COMPUTER

[75] Inventors: Koichi Kimura; Takeshi Matsumoto; Fumio Ohtsuka, all of Tokyo, Japan

[73] Assignee: Seikosha Co., Ltd., Tokyo, Japan

[**] Term: 14 Years

[21] Appl. No.: 311,590

[22] Filed: Feb. 16, 1989

[30] Foreign Application Priority Data

Sep. 2, 1988 [JP] Japan 63-34795

[52] U.S. Cl. D18/22

[58] Field of Search D18/12, 13, 22, 99; D14/100, 114, 115, 109, 121; 346/140 PD, 126; 340/700; 499/67, 121, 124, 126, 175, 194, 197, 200-202, 202.1-202.3, 248, 679, 690.1, 691-693, 719

[56] References Cited

U.S. PATENT DOCUMENTS

D. 256,474	8/1980	Stenudd	D18/22
3,904,011	9/1975	Matschke et al.	400/124
4,408,912	10/1983	Yonkers	400/248
4,426,165	1/1984	Irro	400/692

4,806,956	2/1989	Nishikawa et al.	346/140 PD
4,831,390	5/1989	Deshpande et al.	346/140 PD
4,833,491	5/1989	Rezanka	346/140 PD
4,856,923	8/1989	Smith	400/248

Primary Examiner—A. Hugo Word
Assistant Examiner—CathyAnne MacCormac
Attorney, Agent, or Firm—Jordan and Hamburg

[57] CLAIM

The ornamental design for a printing head for a printer of a computer, as shown and described.

DESCRIPTION

FIG. 1 is a top plan view of a printing head for a printer of a computer showing our new design; FIG. 2 is a front elevational view thereof; FIG. 3 is a right side elevational view thereof; FIG. 4 is a left side elevational view thereof; FIG. 5 is a rear elevational view thereof; FIG. 6 is a bottom plan view thereof; FIG. 7 is a front perspective view thereof; FIG. 8 is a rear perspective view thereof; and FIG. 9 is a reduced scale perspective view thereof showing its intended use.

The broken line representation of a printer in FIG. 9 is for illustrative purposes only and forms no part of the claimed design.

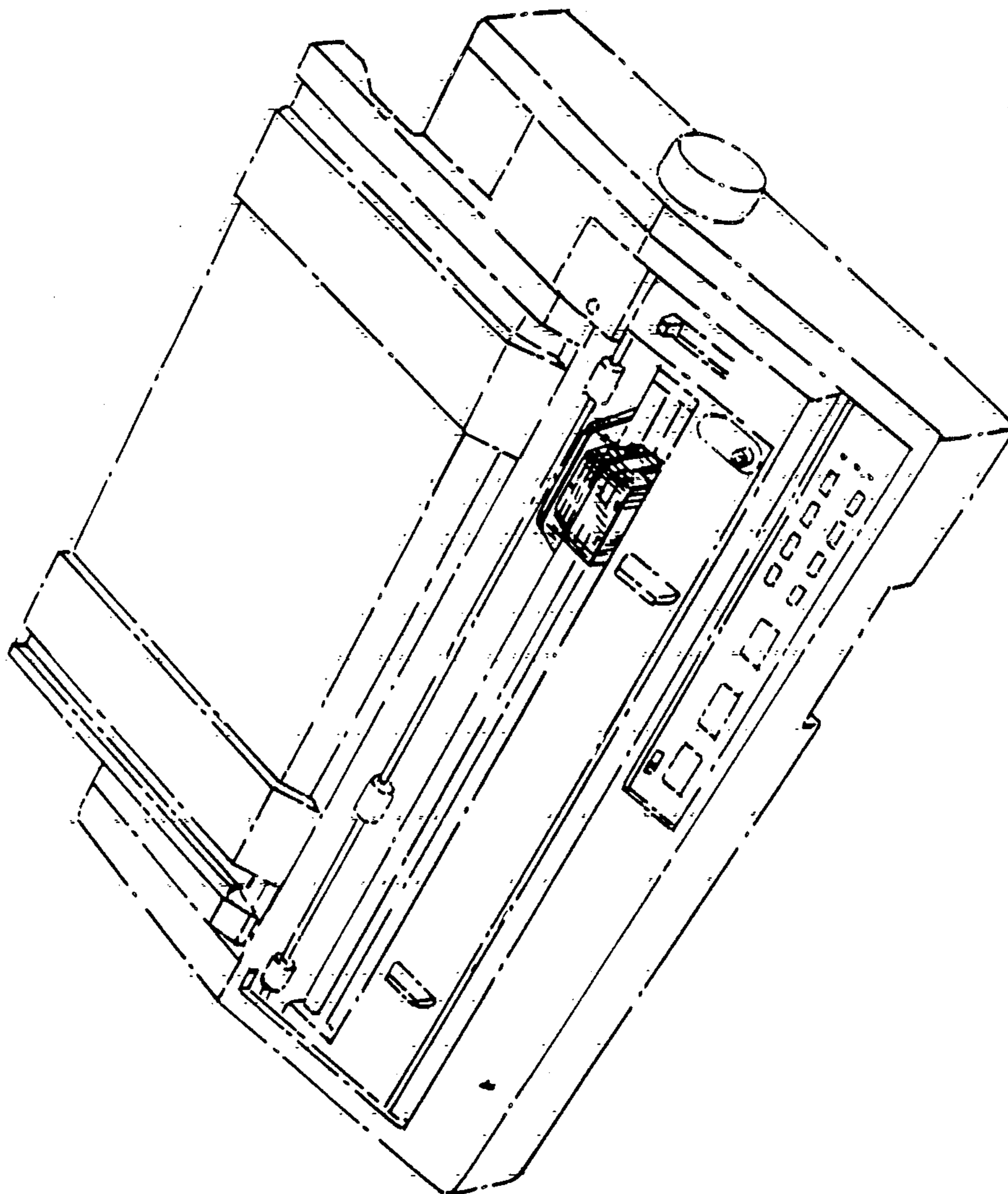


FIG. 1

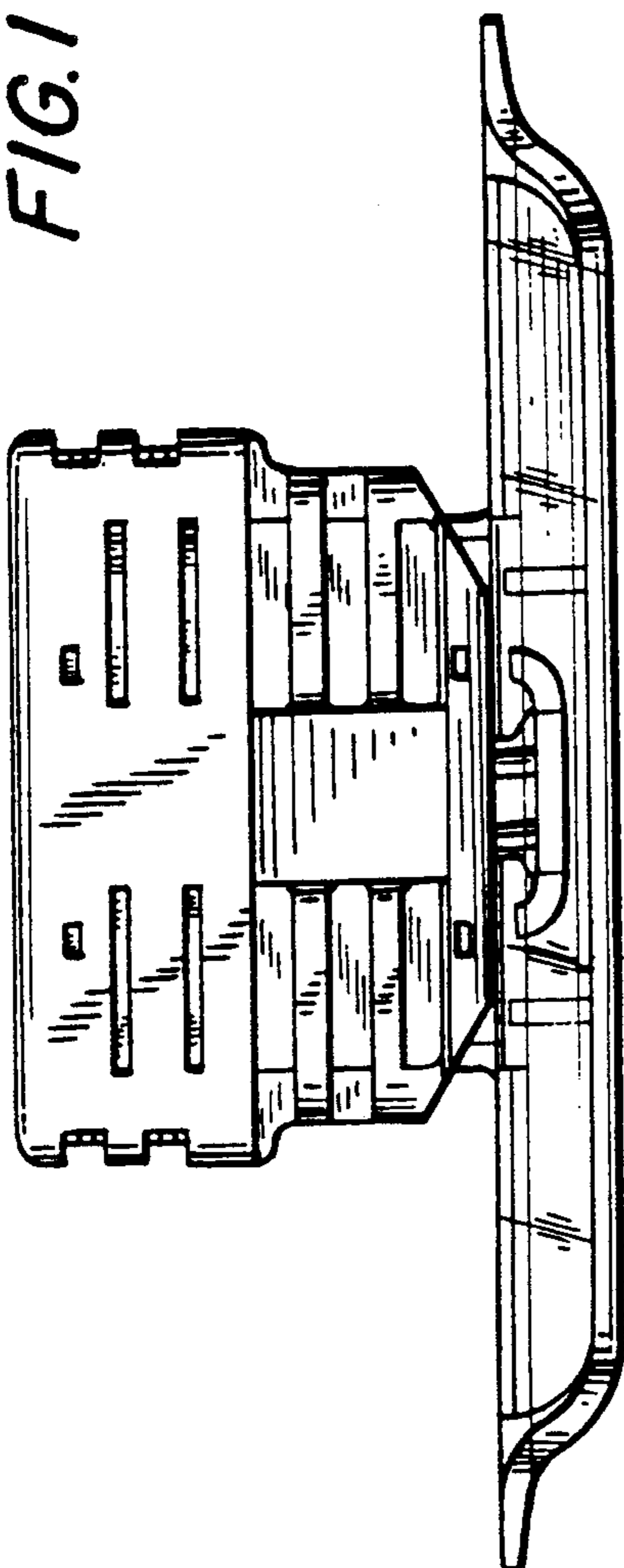


FIG. 3

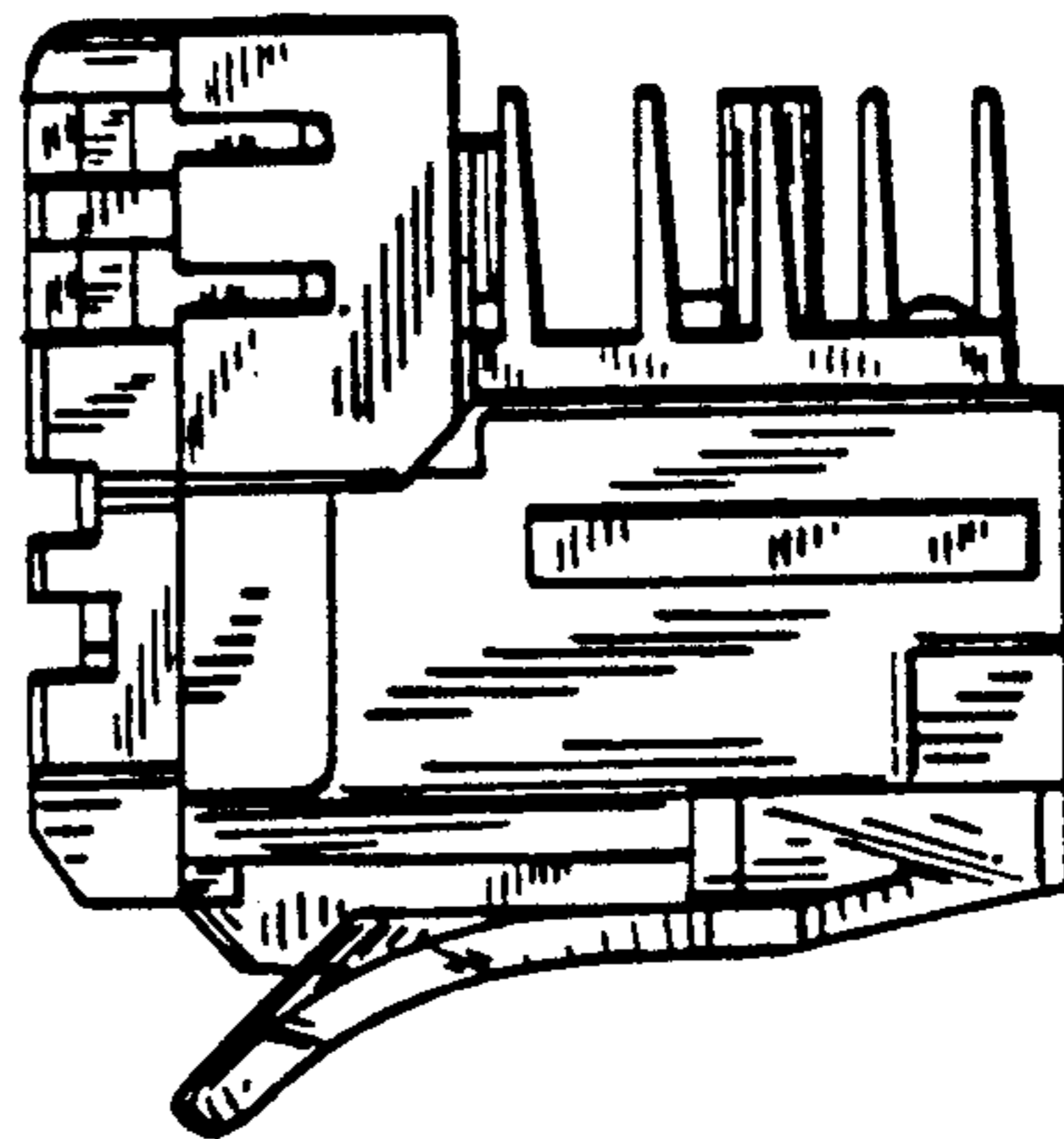


FIG. 2

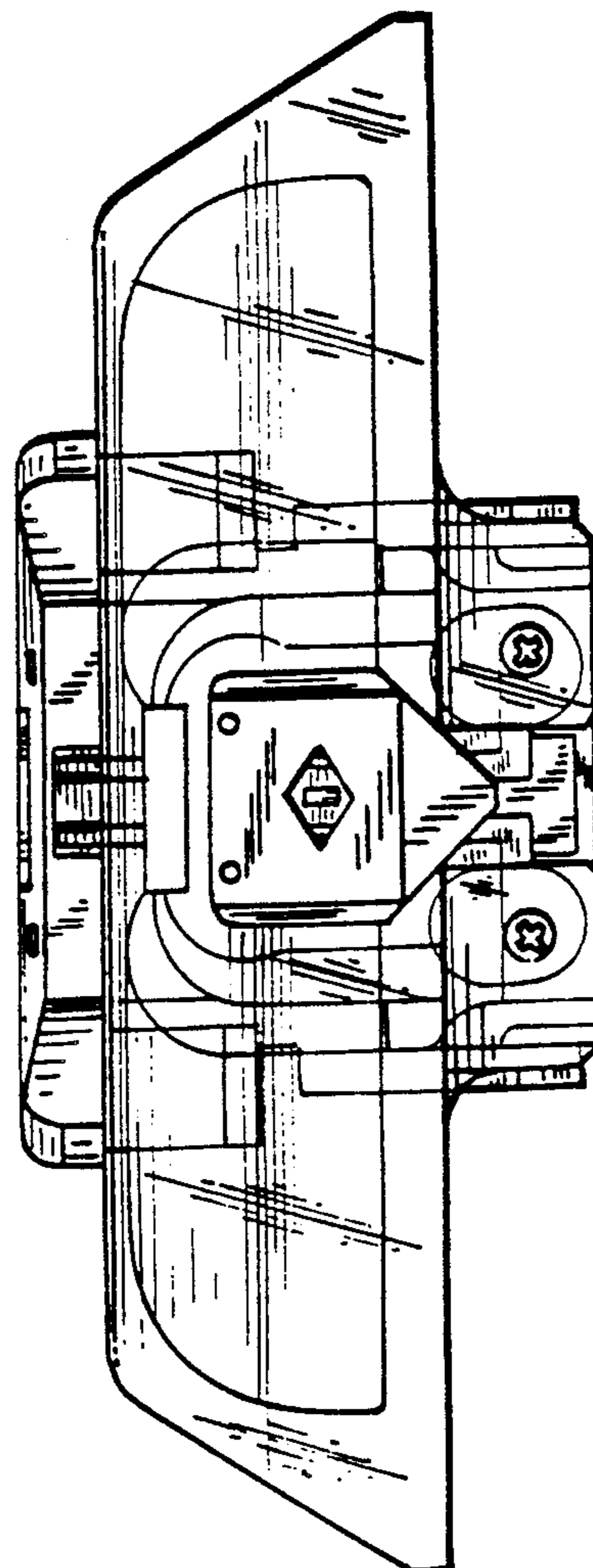


FIG. 5

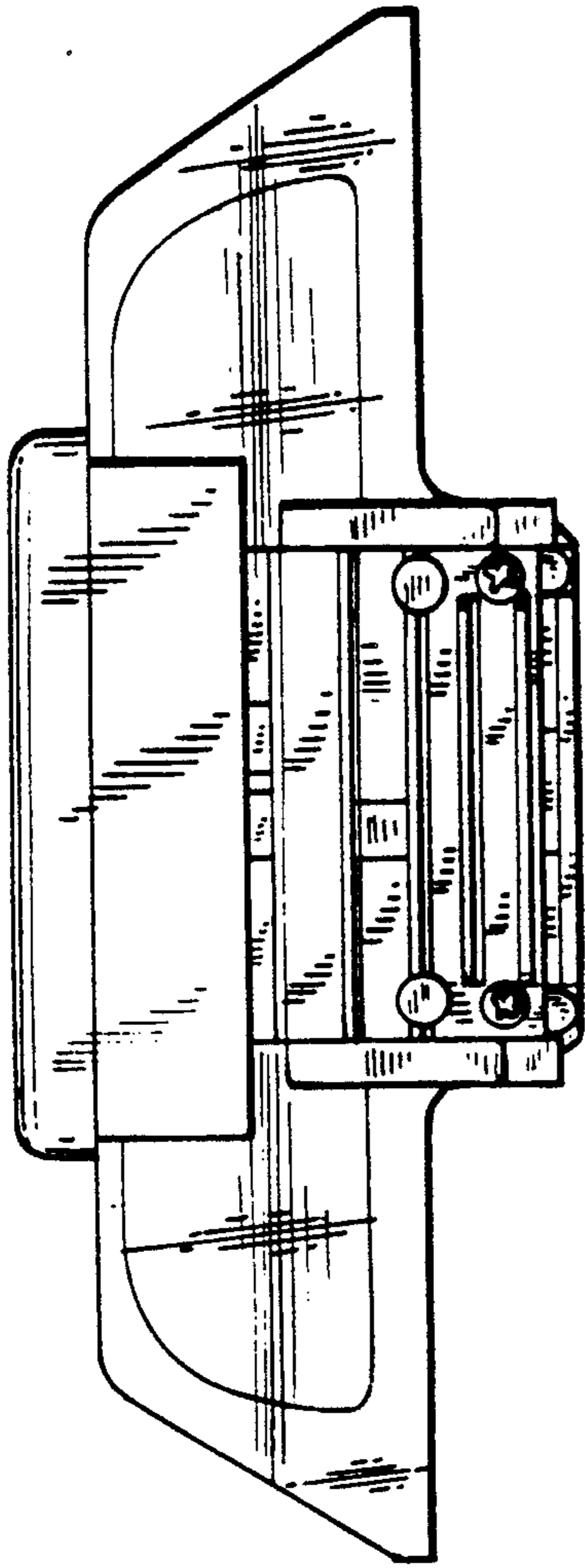


FIG. 6

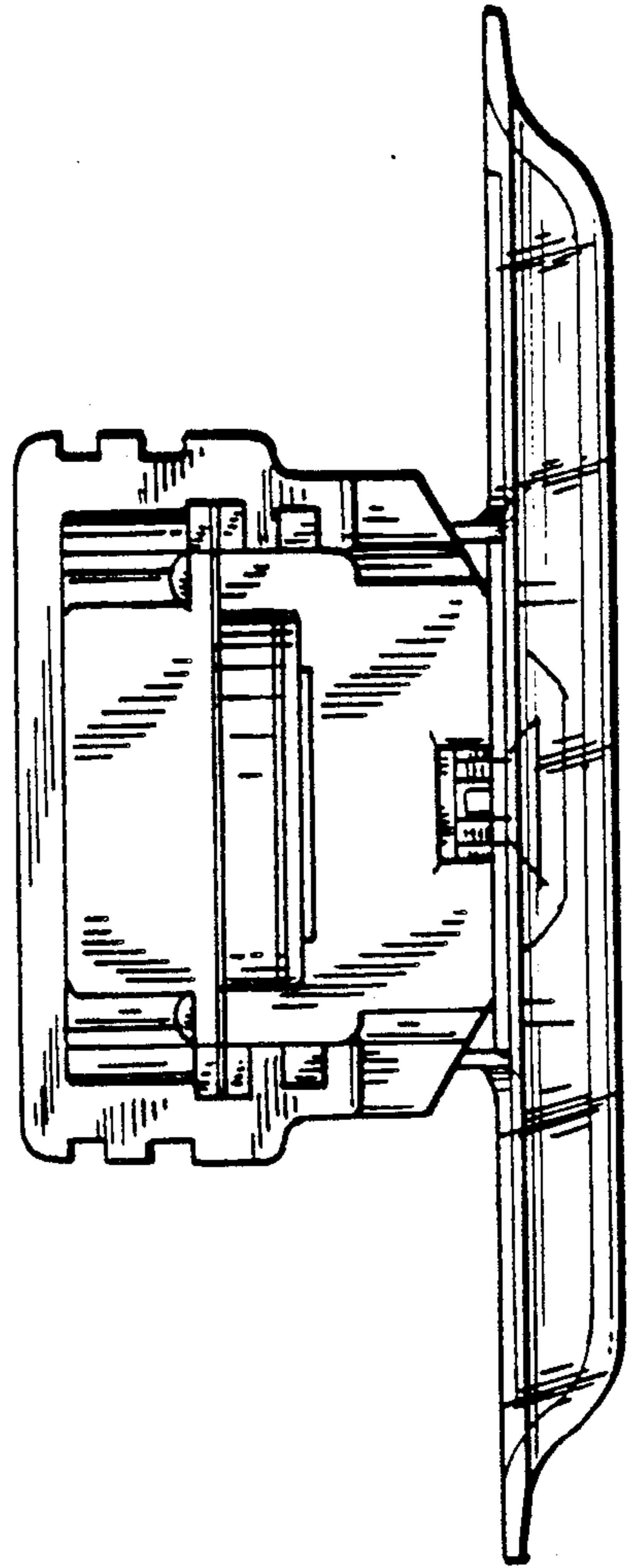


FIG. 4

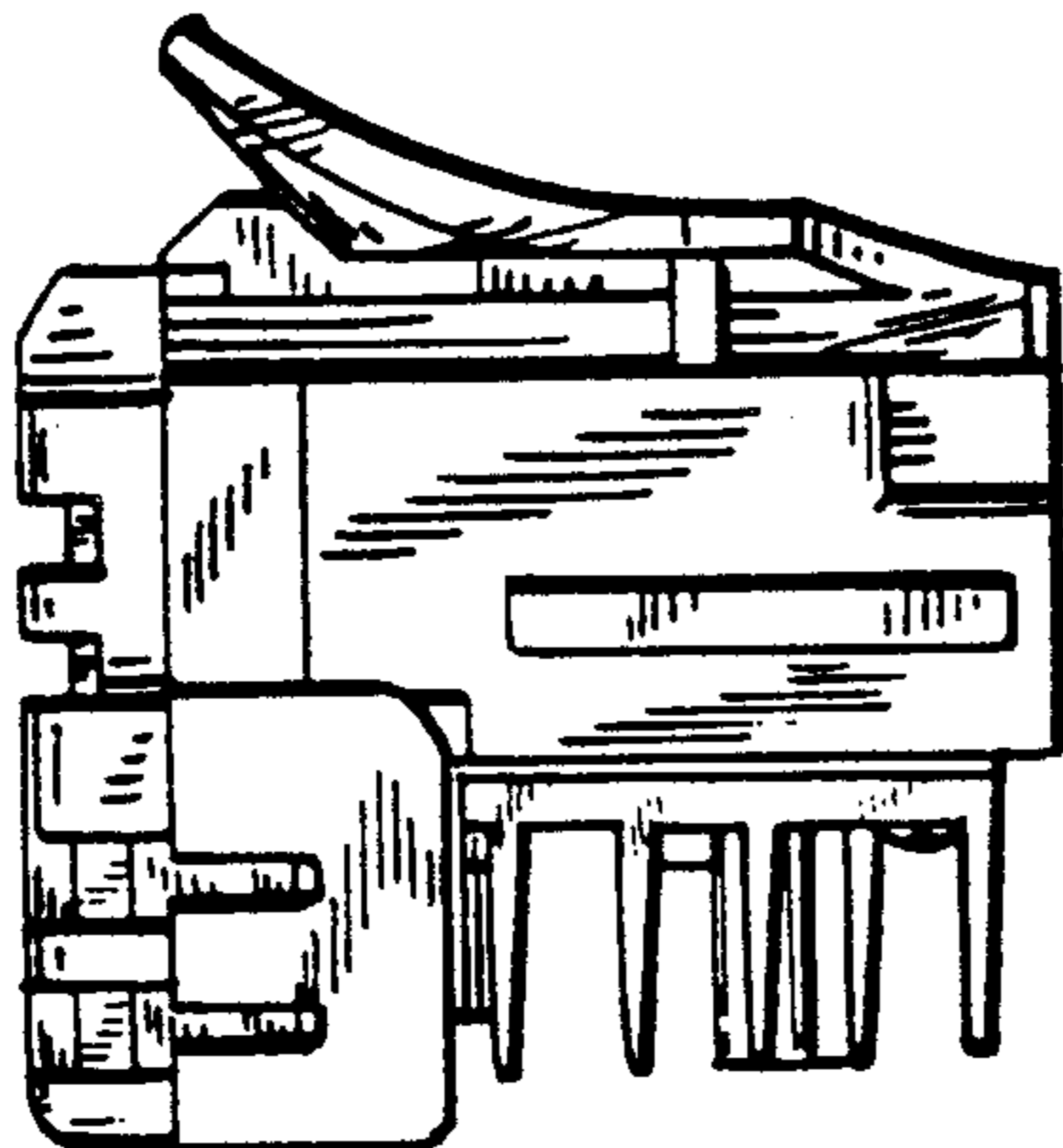


FIG. 7

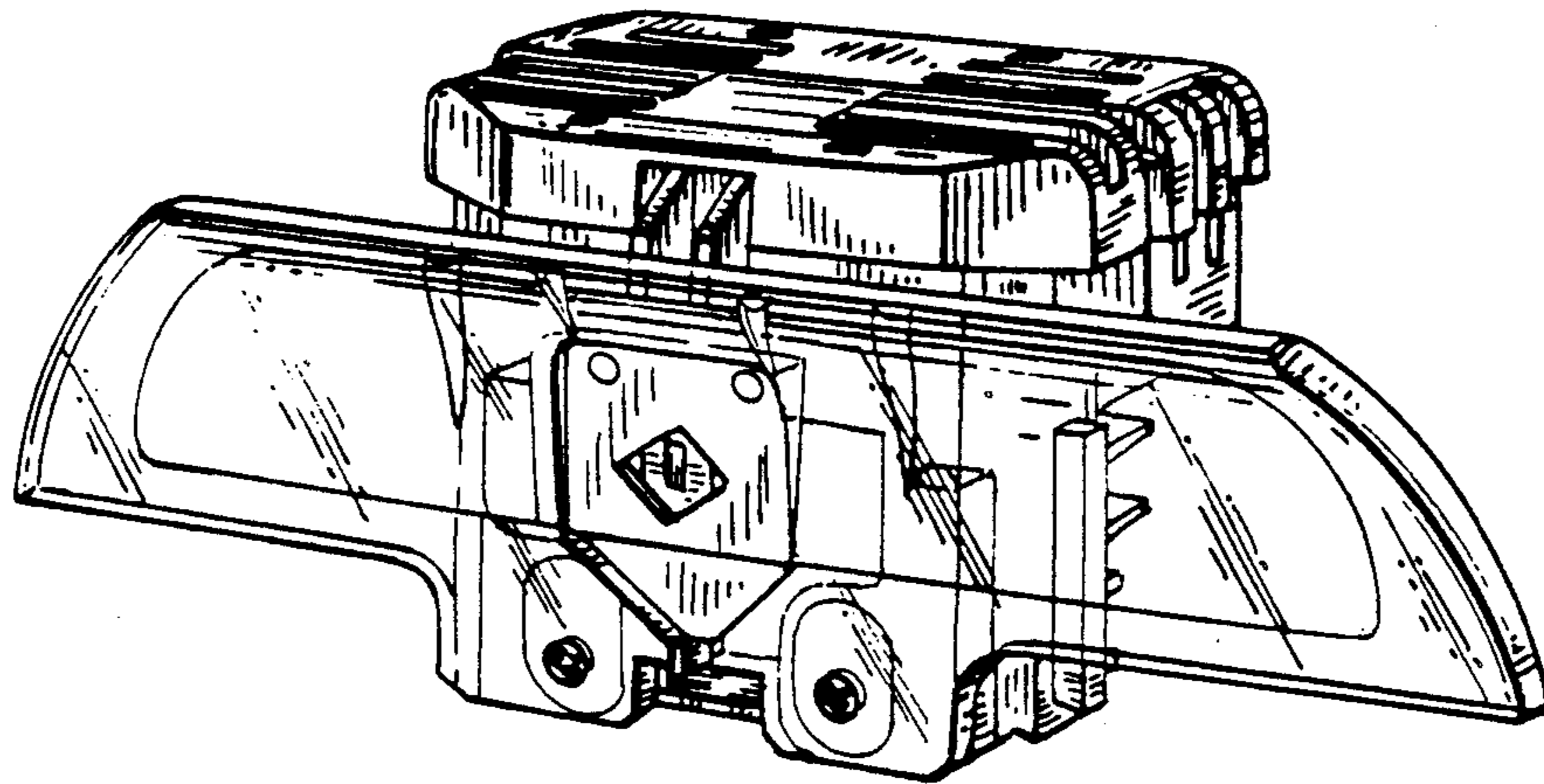


FIG. 8

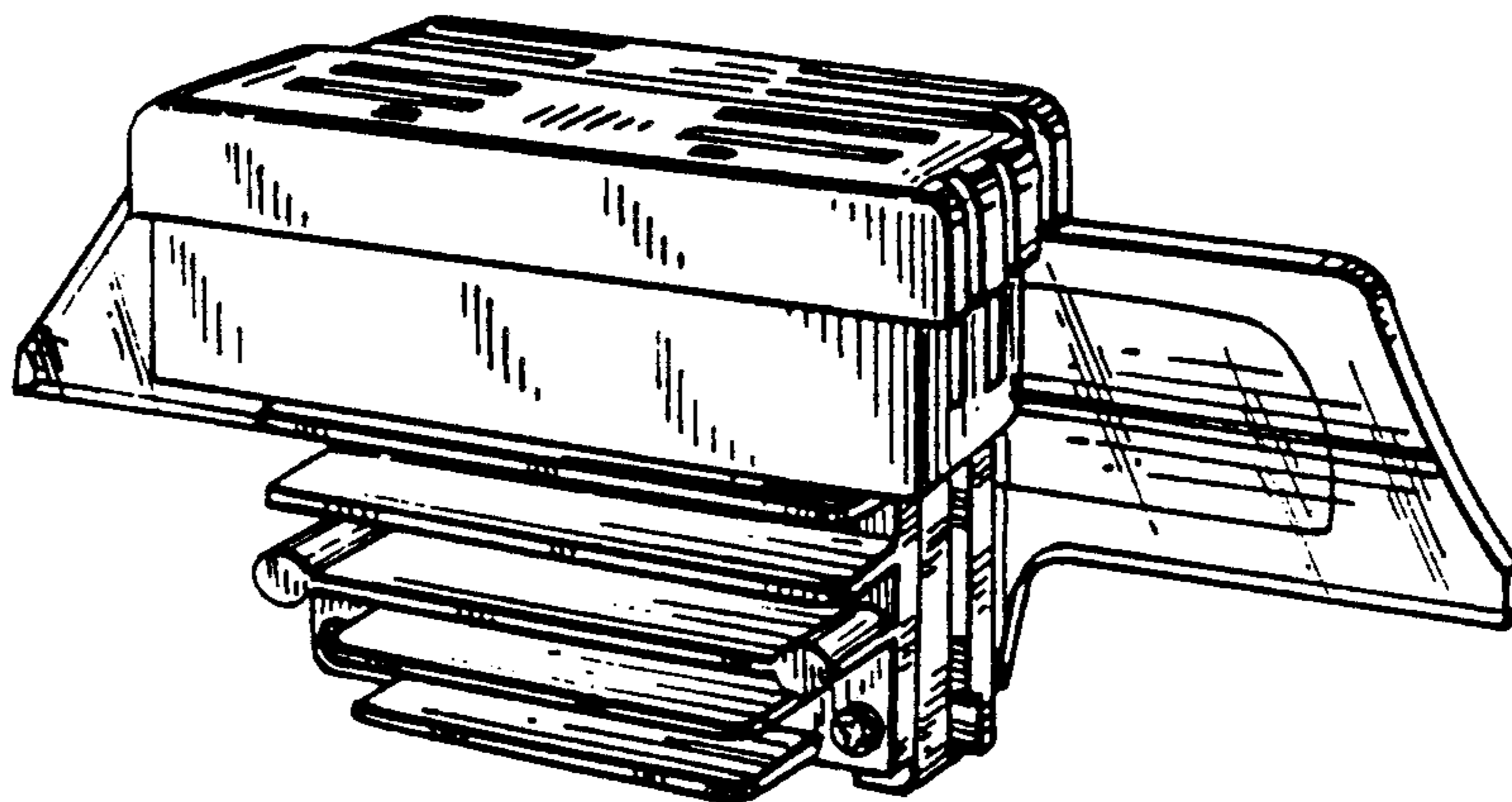


FIG. 9

