

# United States Patent [19]

Uchida

[11] Patent Number: Des. 314,200

[45] Date of Patent: \*\* Jan. 29, 1991

[54] SEWING MACHINE

[75] Inventor: Koji Uchida, Hachioji, Japan

[73] Assignee: Janome Sewing Machine Co. Ltd.,  
Tokyo, Japan

[\*] Notice: The portion of the term of this patent  
subsequent to Mar. 10, 2001 has been  
disclaimed.

[\*\*] Term: 14 Years

[21] Appl. No.: 903,117

[22] Filed: Sep. 2, 1986

[52] U.S. Cl. .... D15/70

[58] Field of Search ..... D15/66, 68-76;  
112/63, 258-261

[56]

## References Cited

### U.S. PATENT DOCUMENTS

D. 274,435 6/1984 Hanyu et al. .... D15/69  
D. 288,690 3/1987 Uchida et al. .... D15/70  
D. 289,052 3/1987 Kuroki ..... D15/70  
D. 292,588 11/1987 Uchida ..... D15/70

Primary Examiner—A. Hugo Word  
Attorney, Agent, or Firm—Michael J. Striker

[57]

## CLAIM

The ornamental design for a sewing machine, as shown  
and described.

## DESCRIPTION

FIG. 1 is a front elevational view of a sewing machine  
showing my new design;  
FIG. 2 is a rear elevational view thereof;  
FIG. 3 is a left side elevational view thereof;  
FIG. 4 is a right side elevational view thereof.  
FIG. 5 is a top plan view thereof;  
FIG. 6 is a bottom plan view thereof; and  
FIG. 7 is a perspective view thereof.

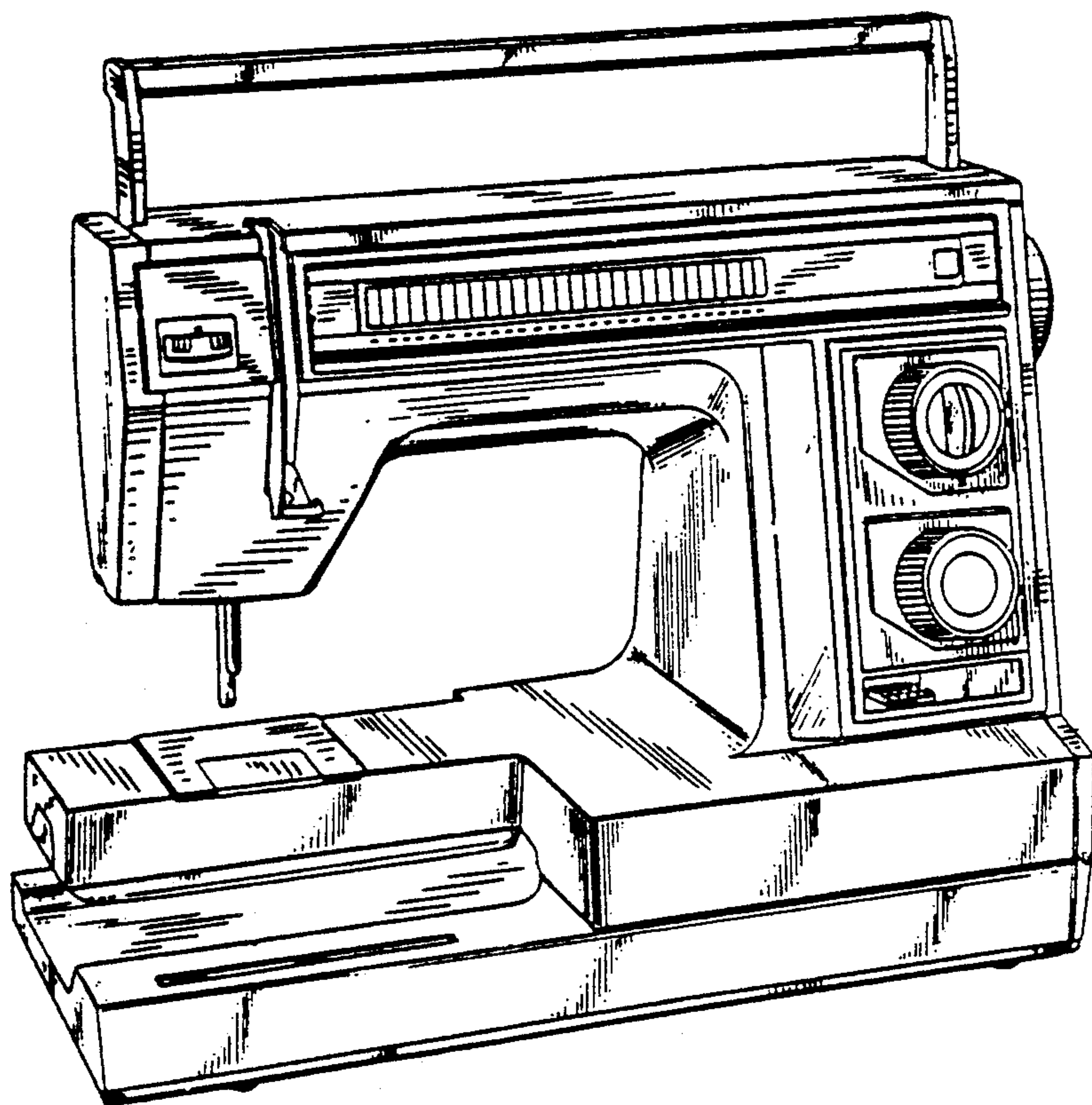


FIG. 1

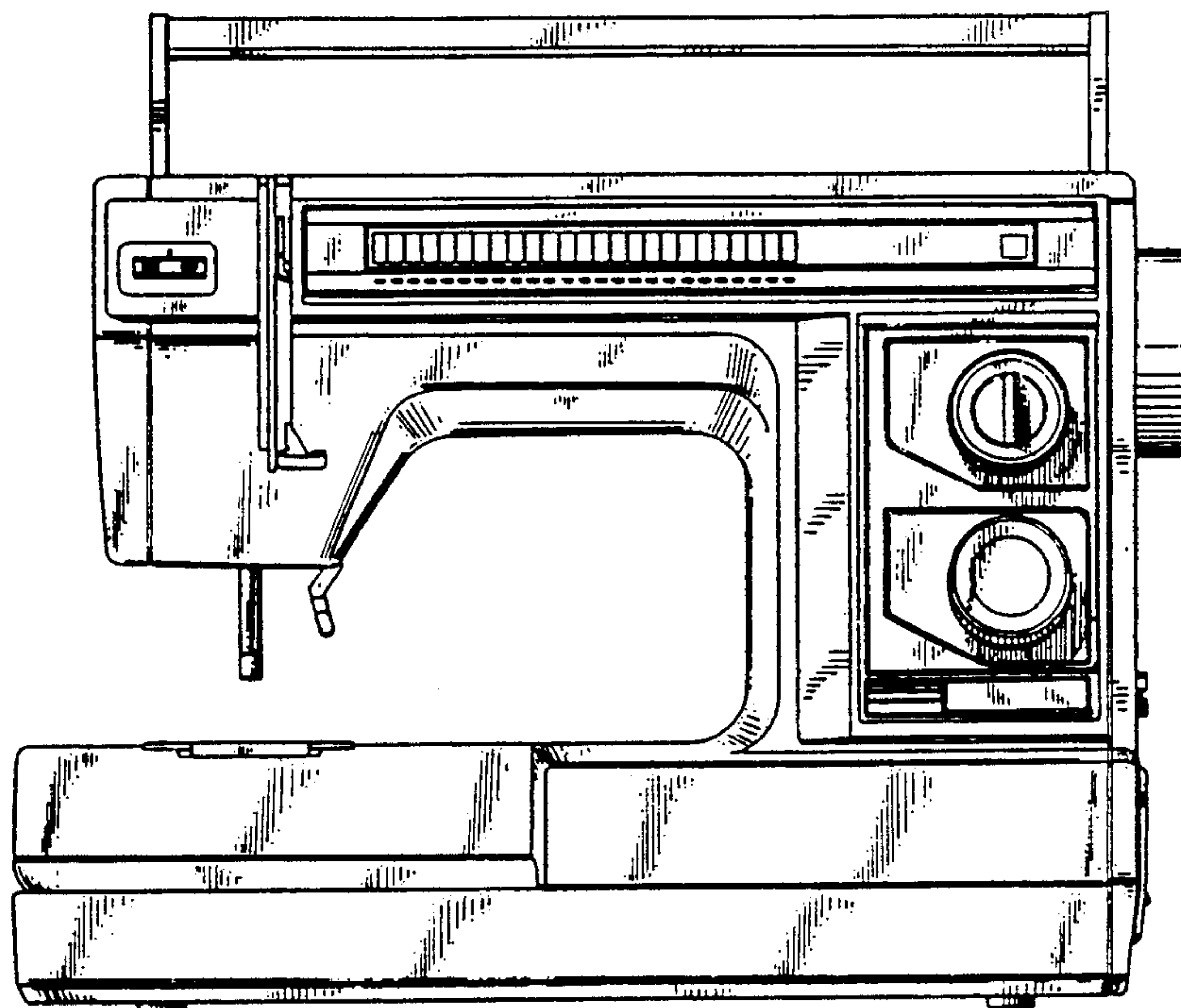
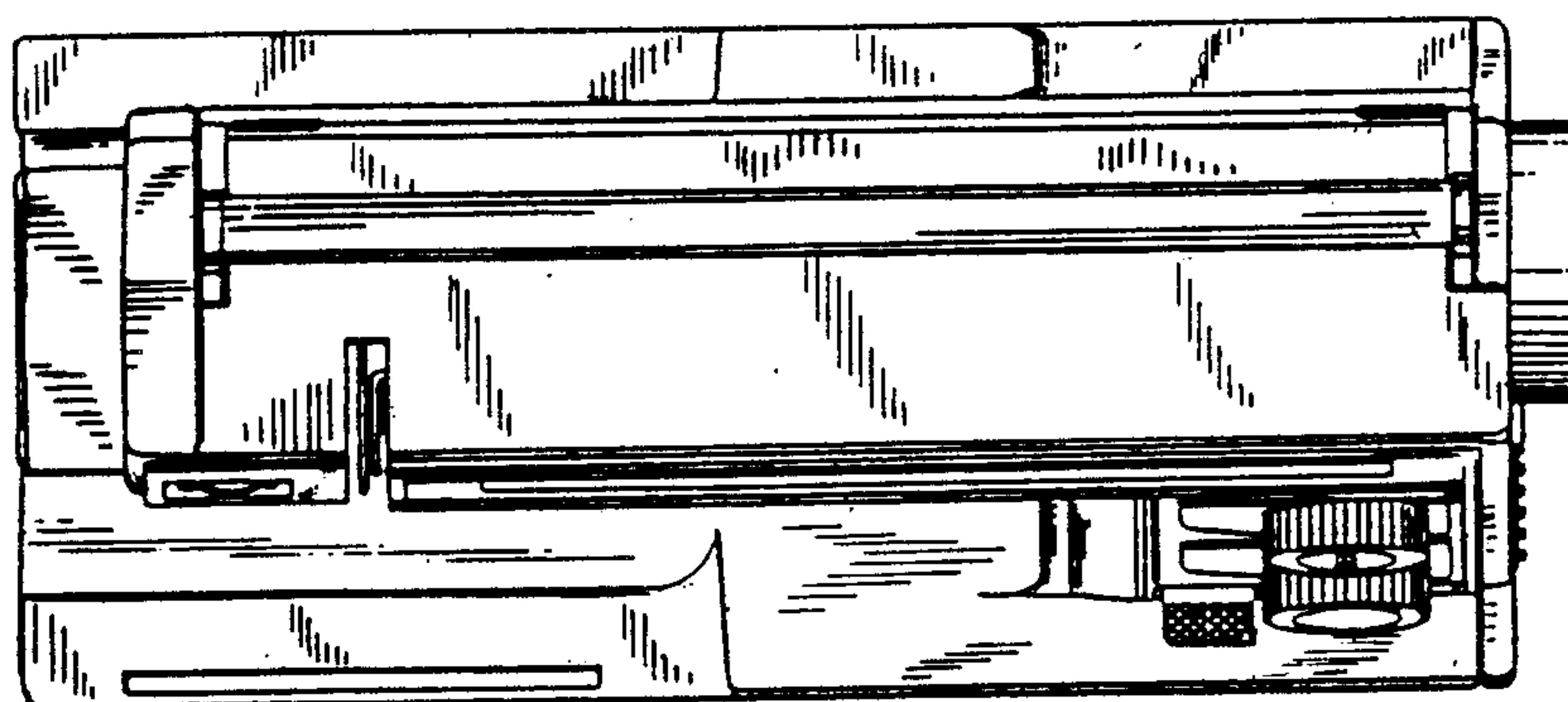
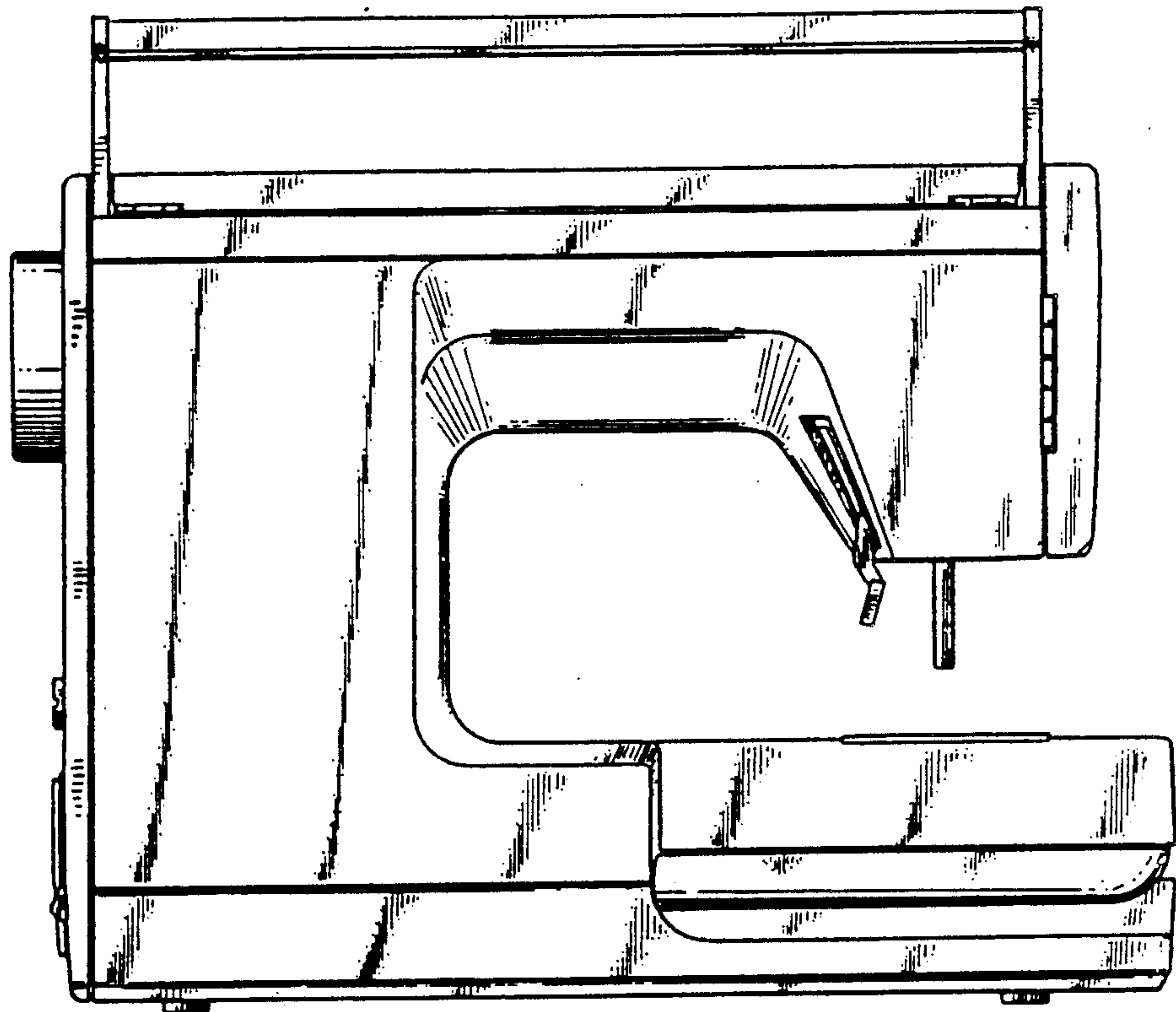


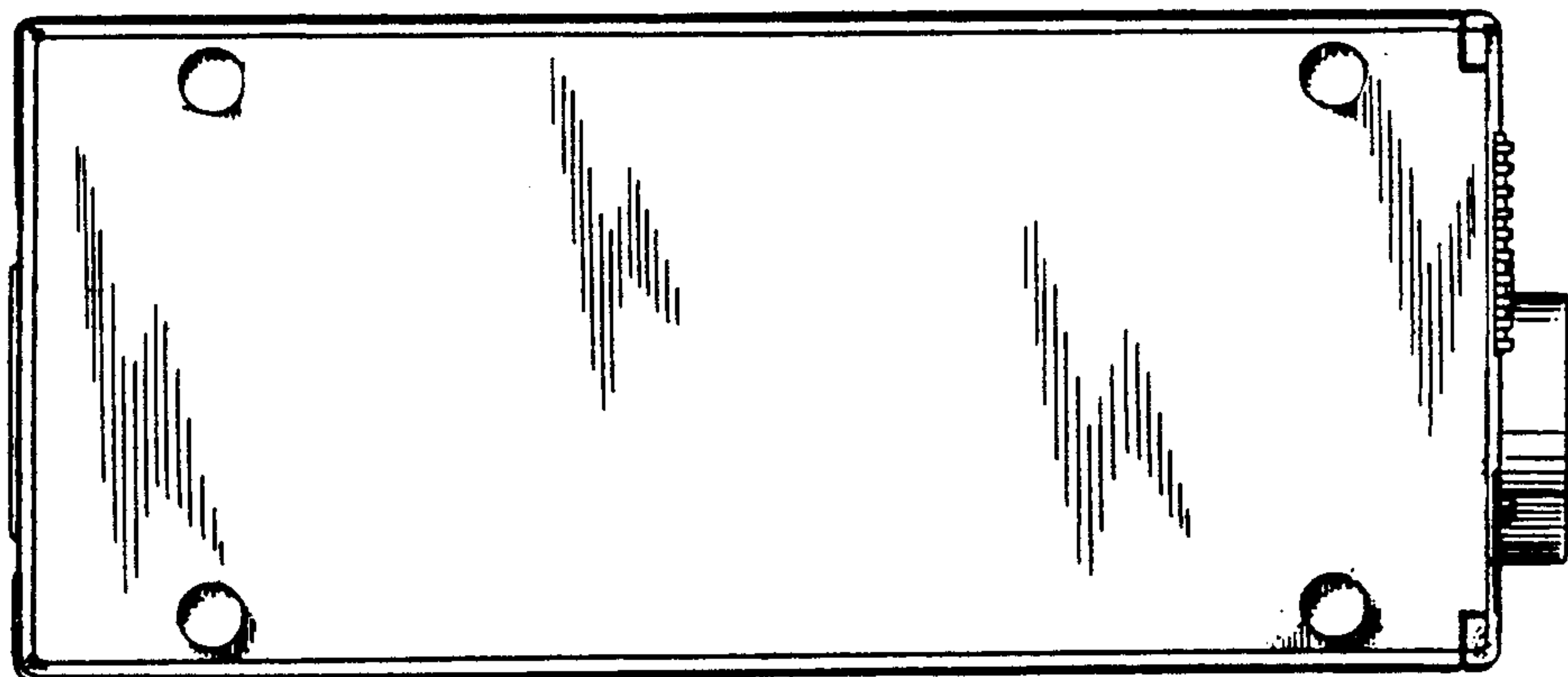
FIG. 5



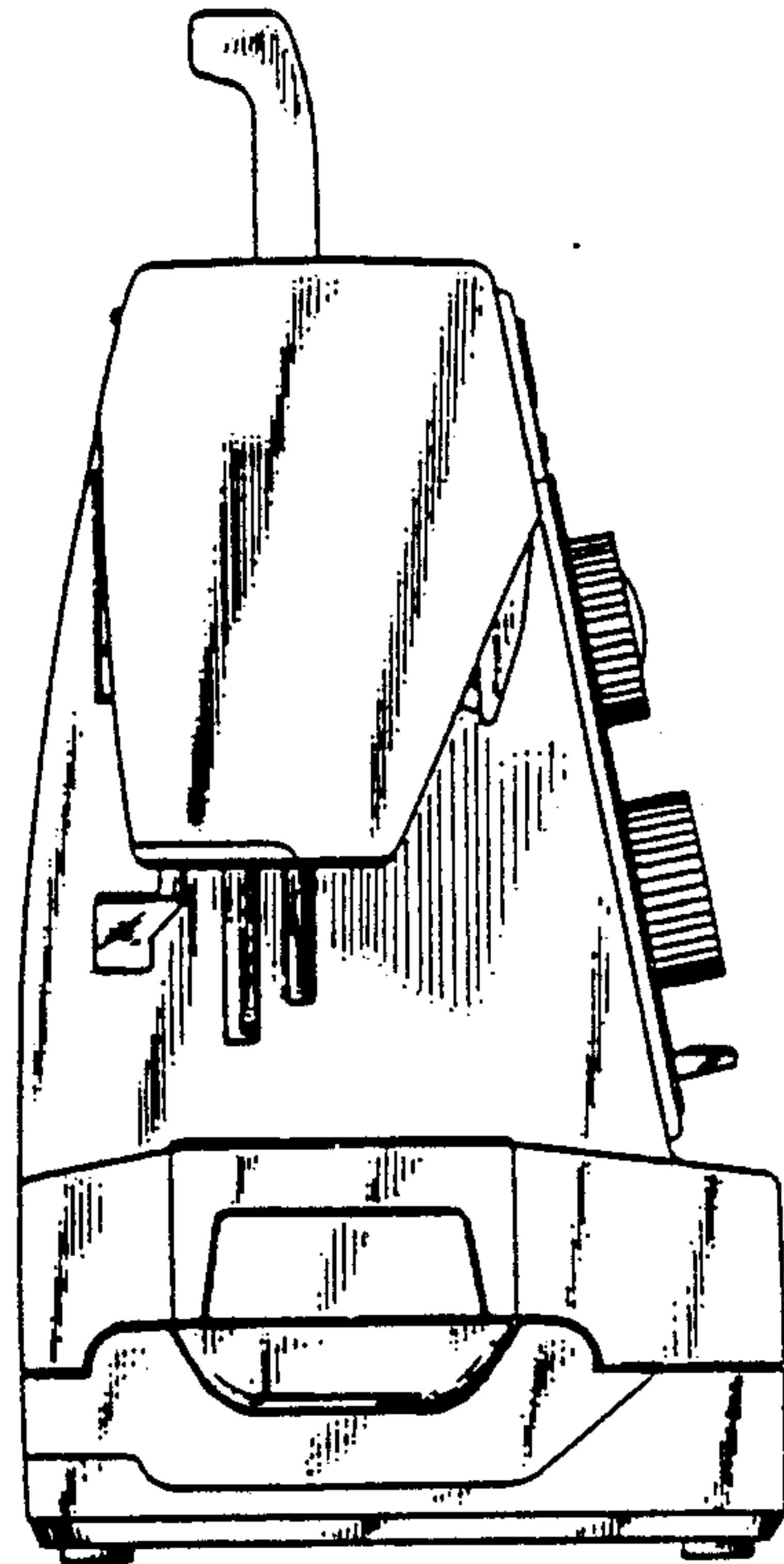
FIG\_2



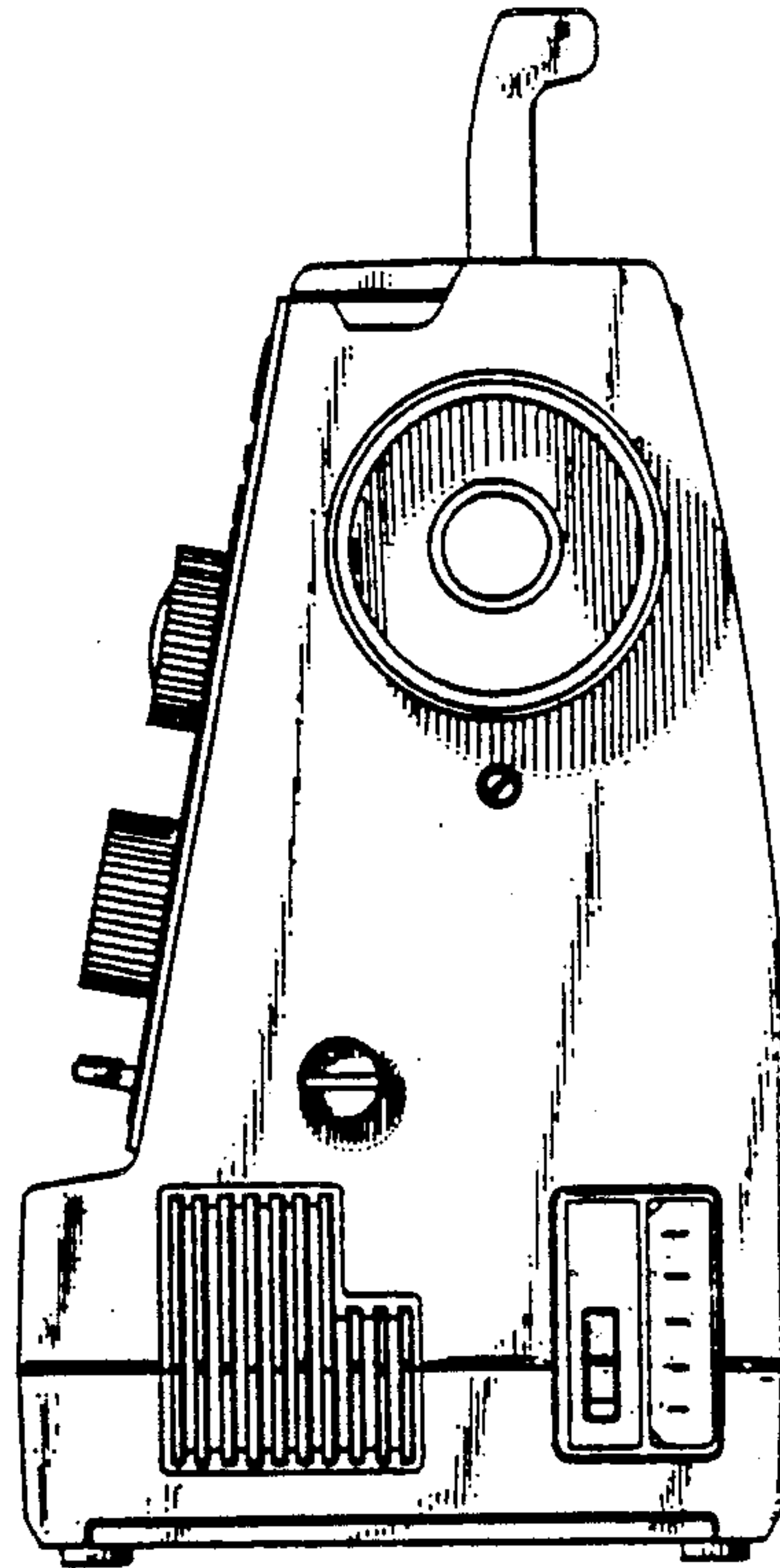
FIG\_6



FIG\_3



FIG\_4



FIG\_7

