

[54] SPRAYER TRAILER

[75] Inventor: Wayne C. Dudley, Parkersburg, Iowa

[73] Assignee: Top Air Manufacturing Inc.,
Parkersburg, Iowa

[**] Term: 14 Years

[21] Appl. No.: 240,800

[22] Filed: Sep. 6, 1988

[52] U.S. Cl. D15/27

[58] Field of Search D15/13, 23, 27;
D12/101, 105; 280/400, 414.1, 414.3

[56] References Cited

U.S. PATENT DOCUMENTS

D. 162,909	2/1949	Walker	D15/13
D. 194,188	12/1962	Tyler	D15/13
3,822,800	7/1974	Leszczynski	D12/101
3,870,339	3/1975	Goff	203/414.1

Primary Examiner—B. J. Bullock
Assistant Examiner—Sandra Morris
Attorney, Agent, or Firm—G. Brian Pingel

[57] CLAIM

The ornamental design for a sprayer trailer, as shown.

DESCRIPTION

FIG. 1 is a perspective view of a sprayer trailer, showing my new design;

FIG. 2 is a top plan view thereof;

FIG. 3 is a right side elevational view thereof;

FIG. 4 is a front elevational view thereof;

FIG. 5 is a rear elevational view thereof;

FIG. 6 is a left side elevational view thereof; and

FIG. 7 is a bottom plan view thereof;

FIG. 8 is a perspective view of a second embodiment of the design of FIG. 1;

FIG. 9 is a top plan view of FIG. 8;

FIG. 10 is a right side elevational view of FIG. 8;

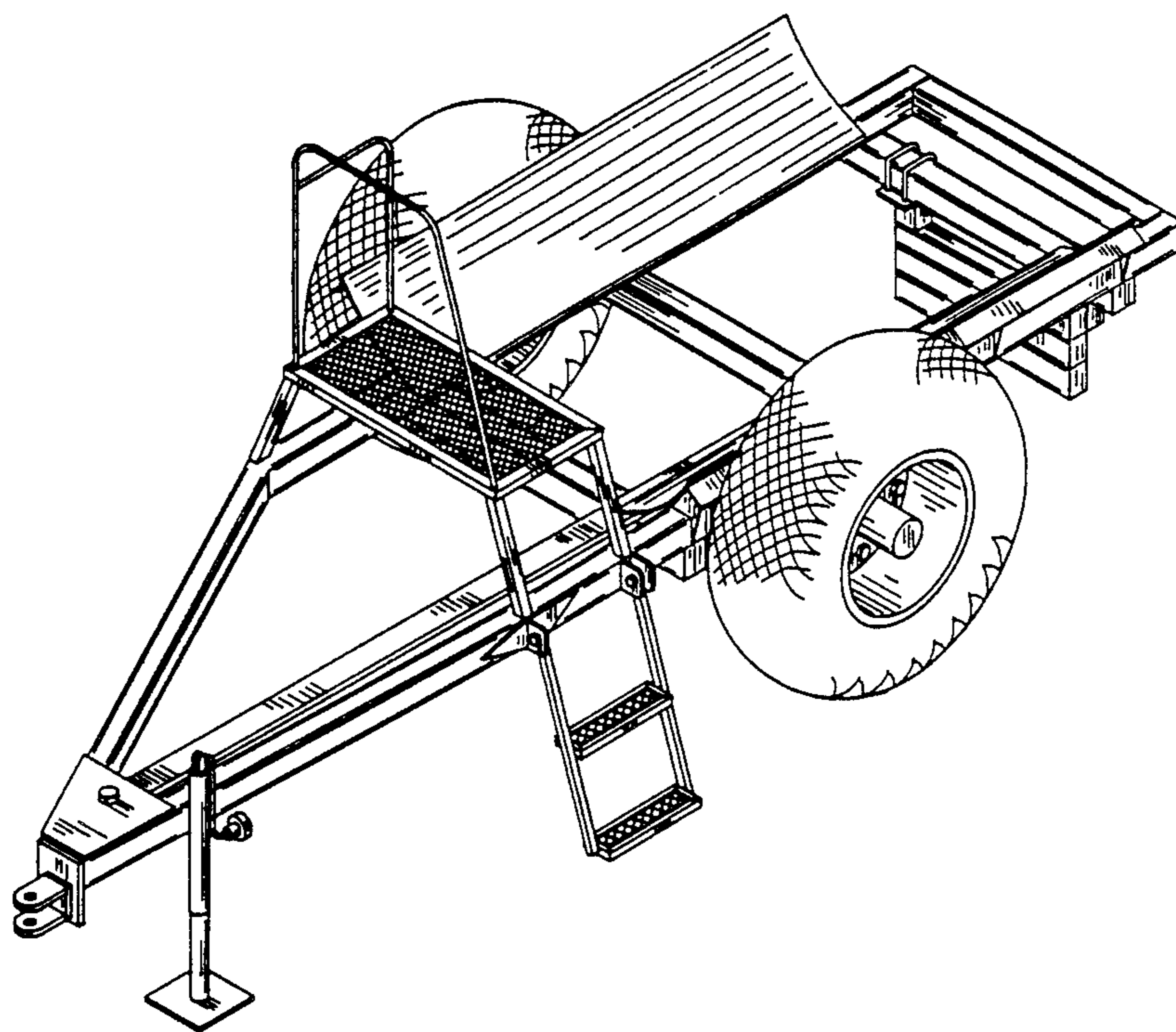
FIG. 11 is a front elevational view of FIG. 8;

FIG. 12 is a rear elevational view of FIG. 8;

FIG. 13 is a left side elevational view of FIG. 8; and

FIG. 14 is a bottom plan view of FIG. 8.

The cross line shading which is partially shown on all of the tires is understood to repeat uniformly across the circumscribed area.



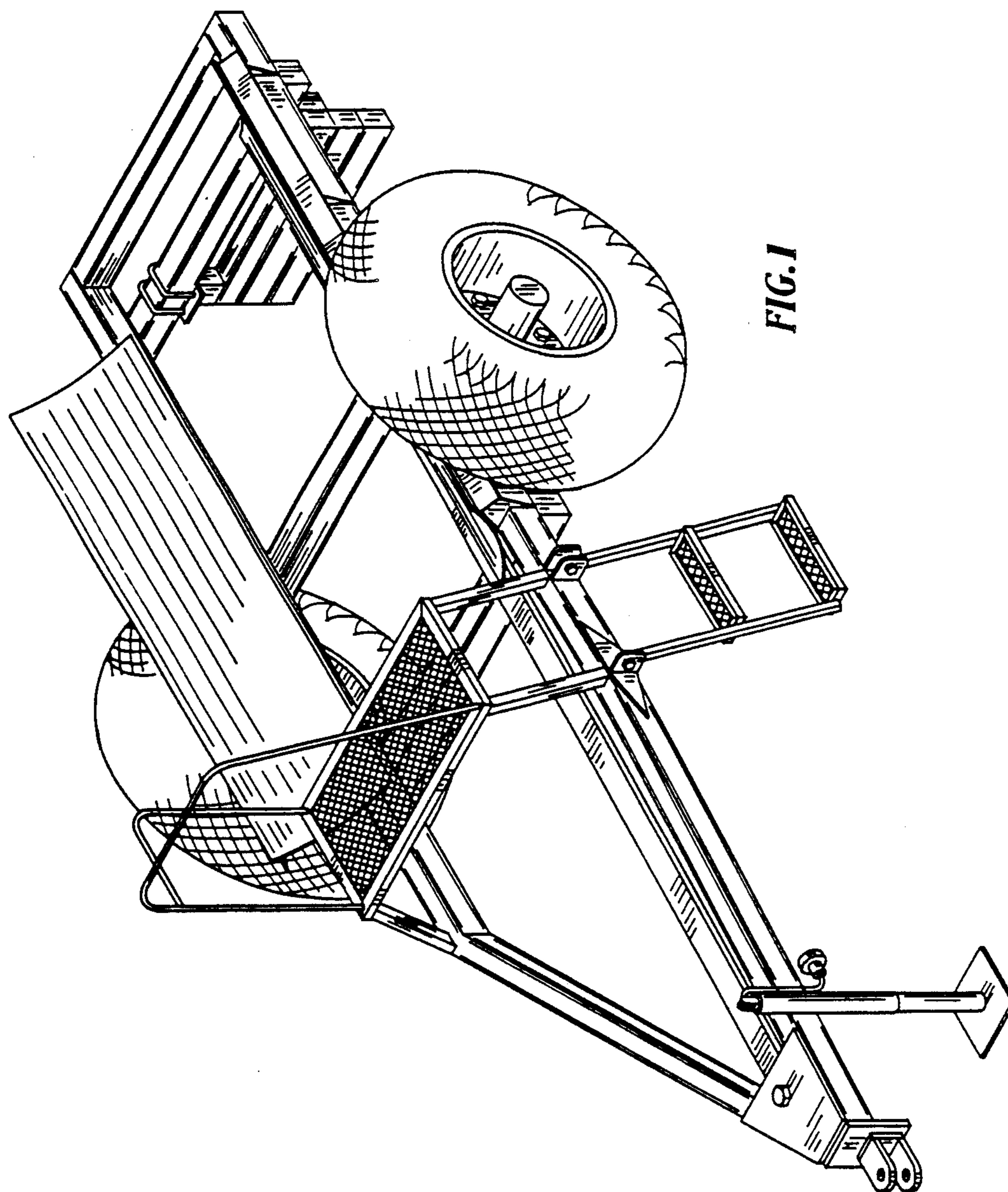


FIG. 1

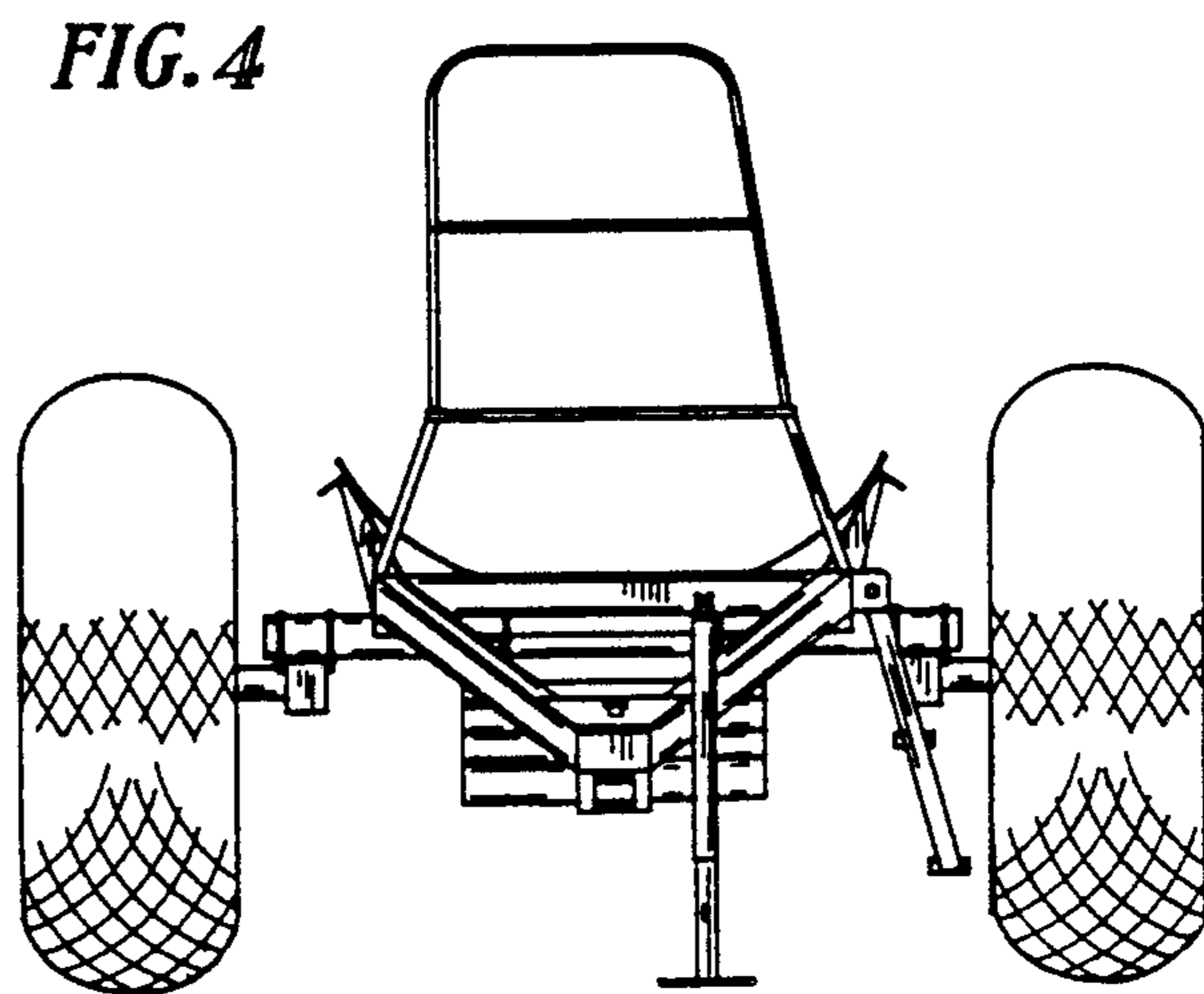
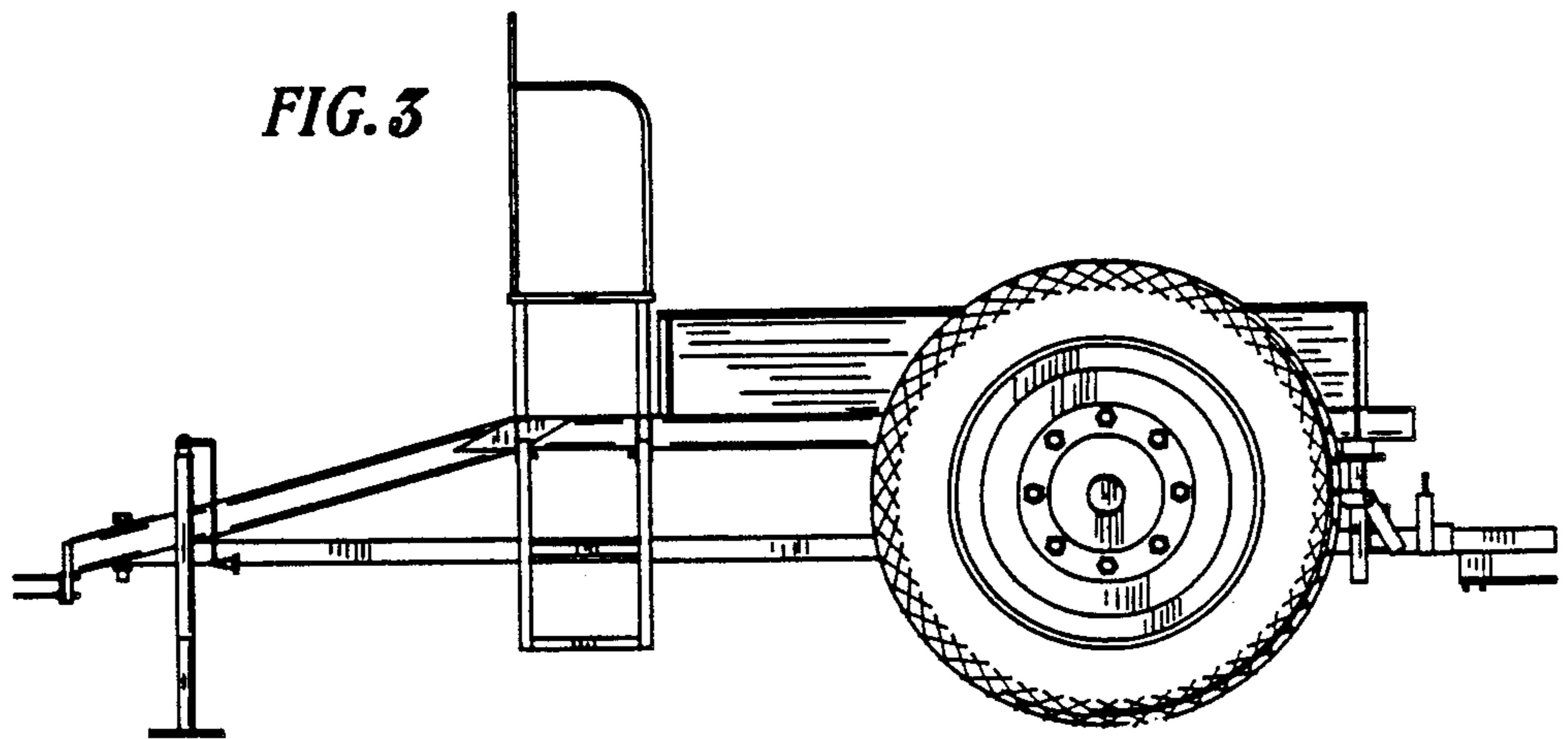
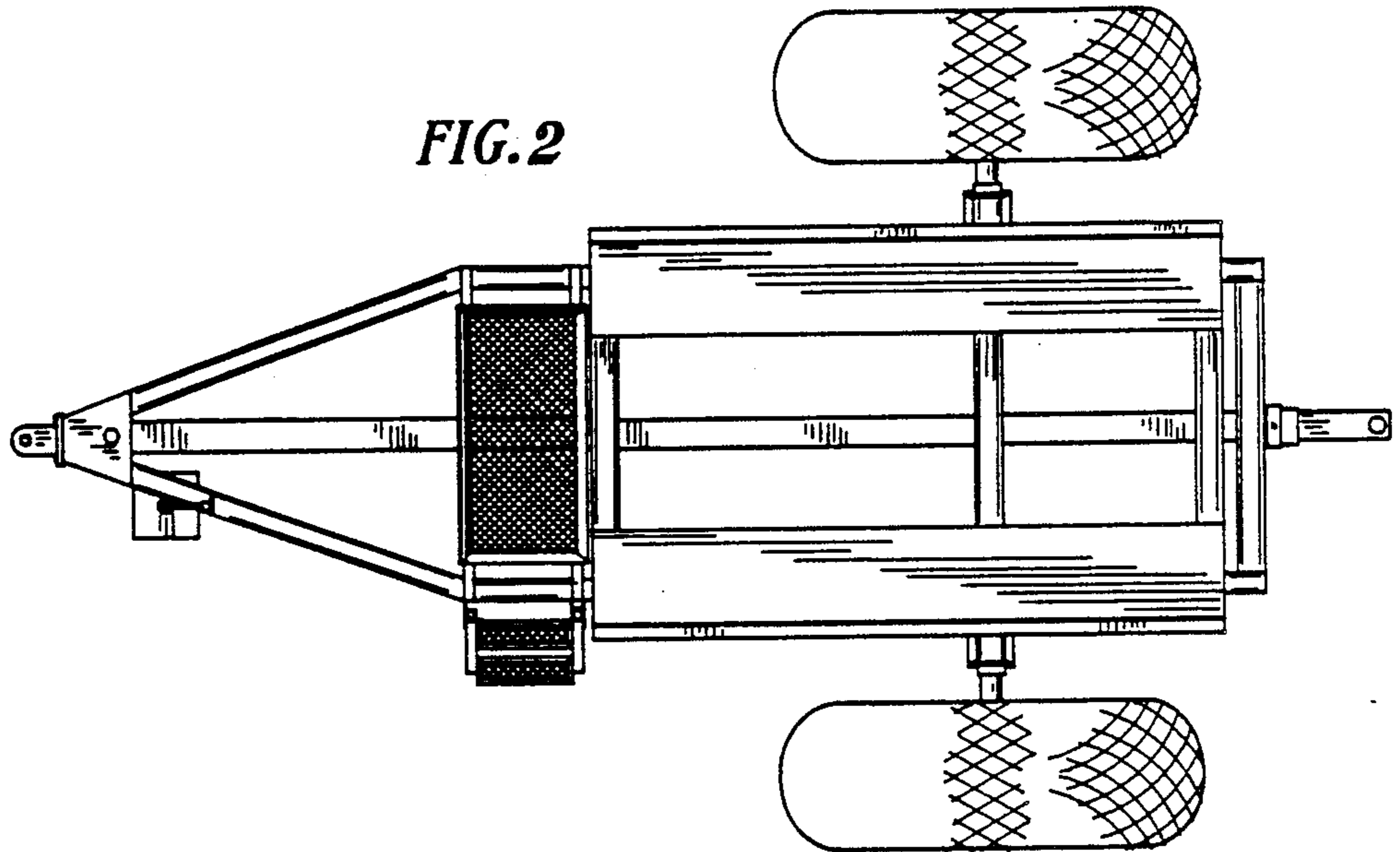


FIG. 5

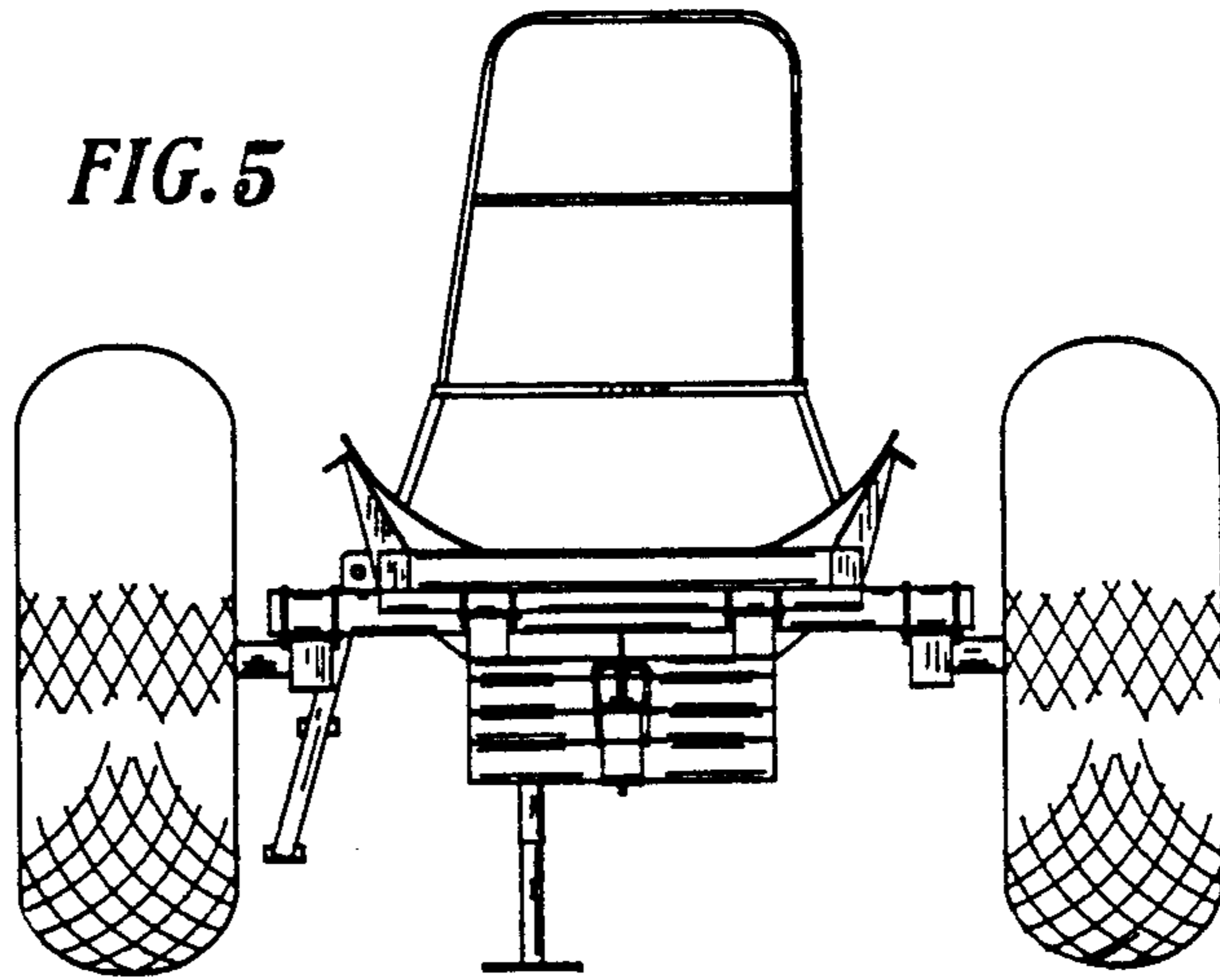


FIG. 6

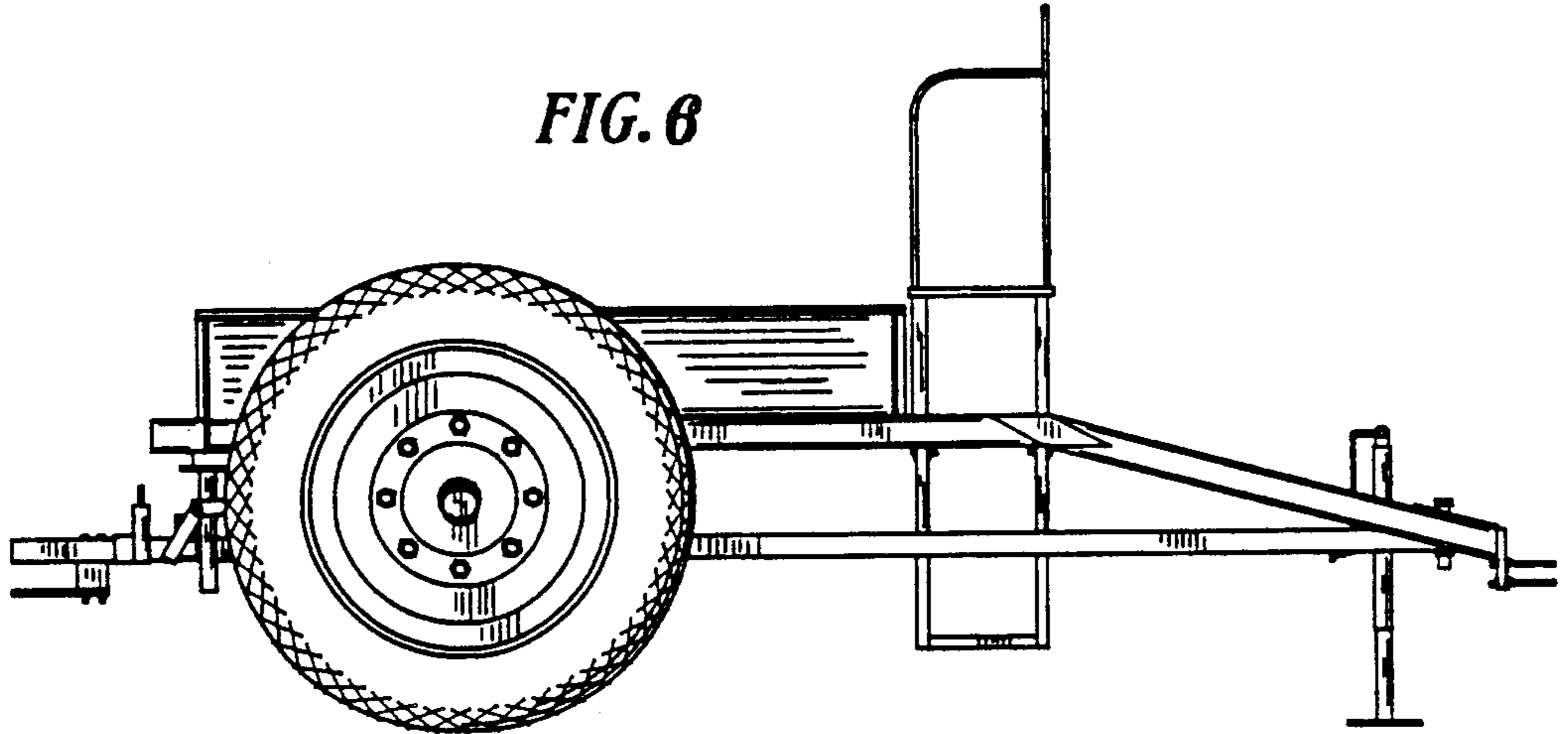
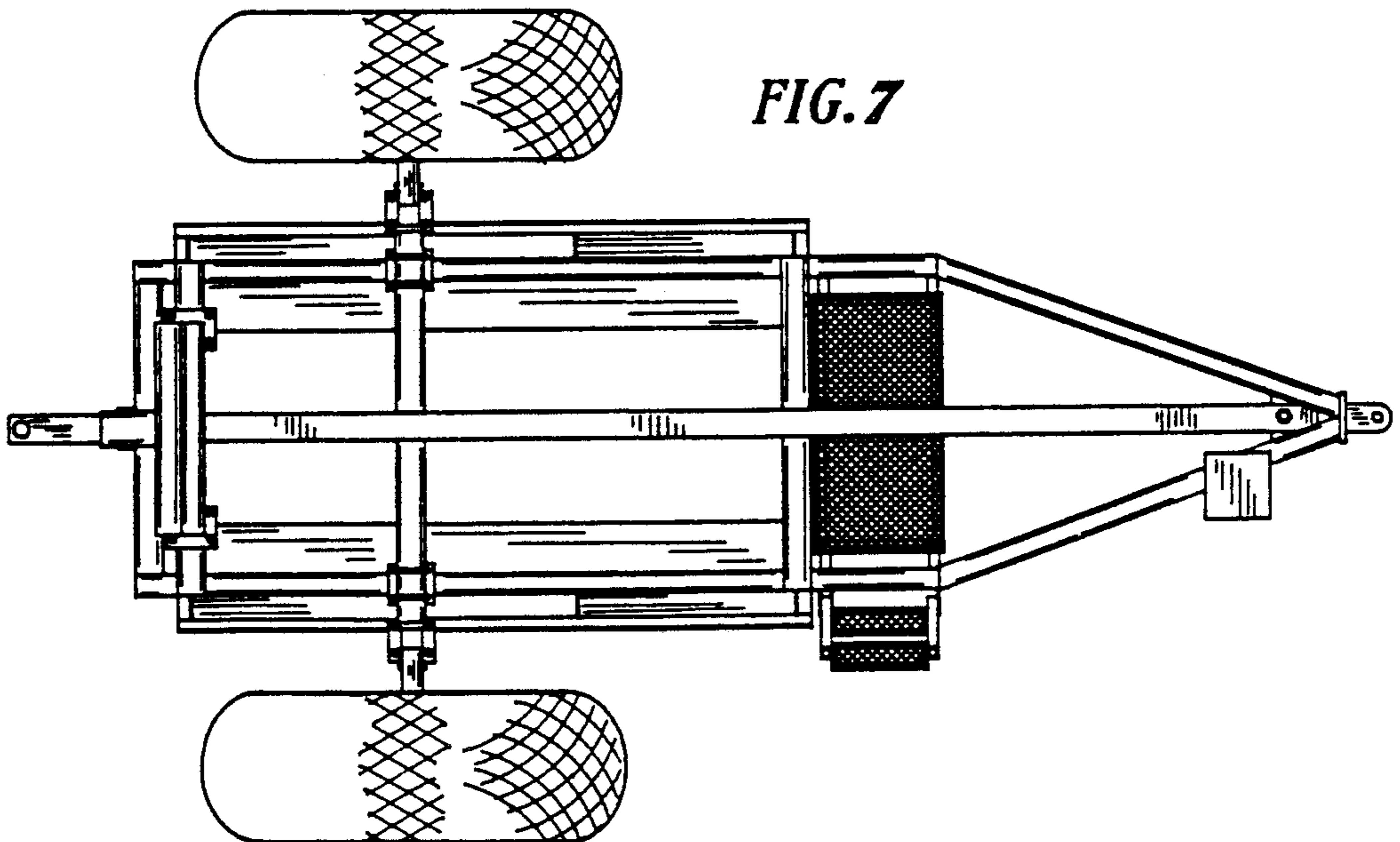


FIG. 7



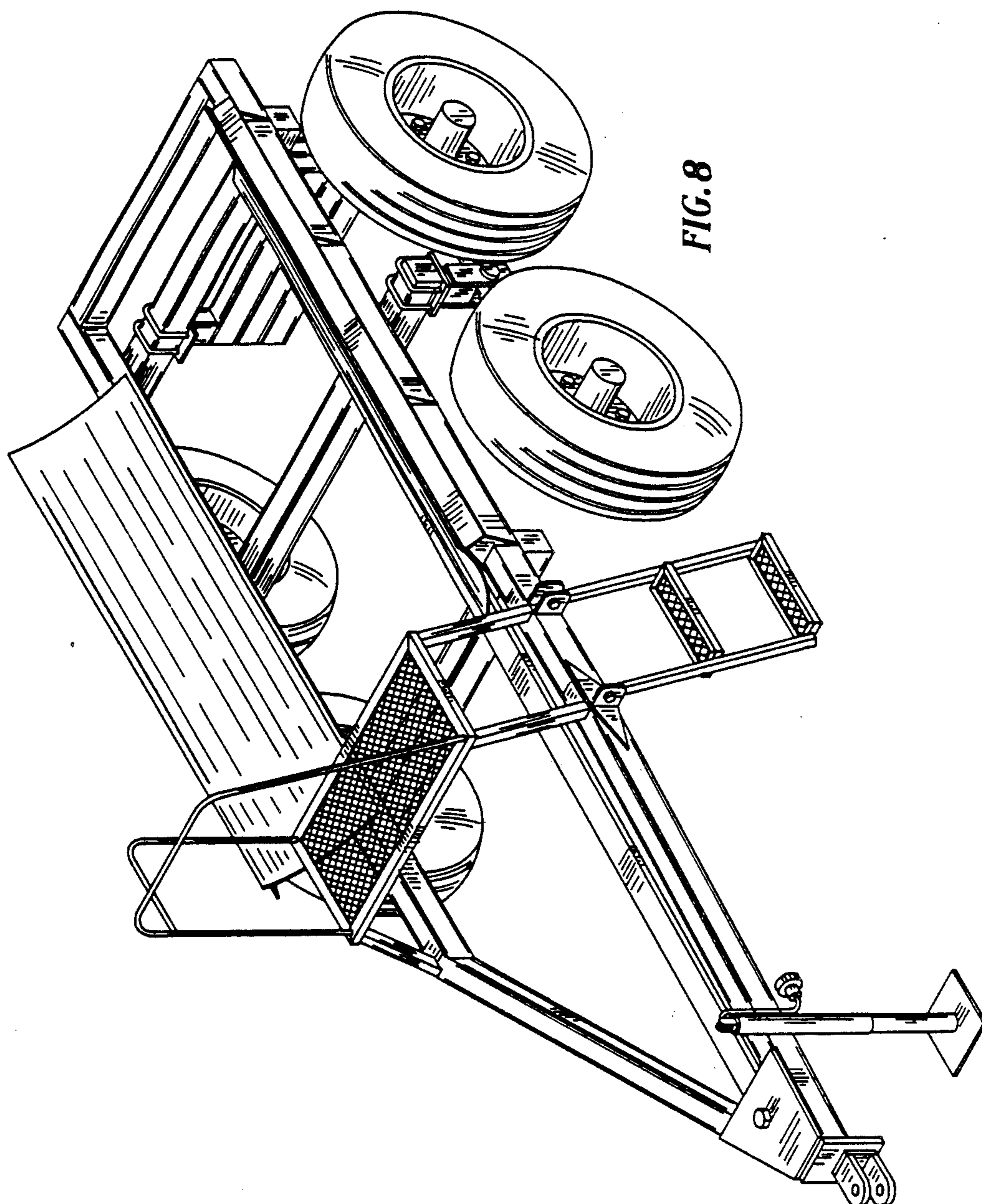


FIG. 8

FIG. 9

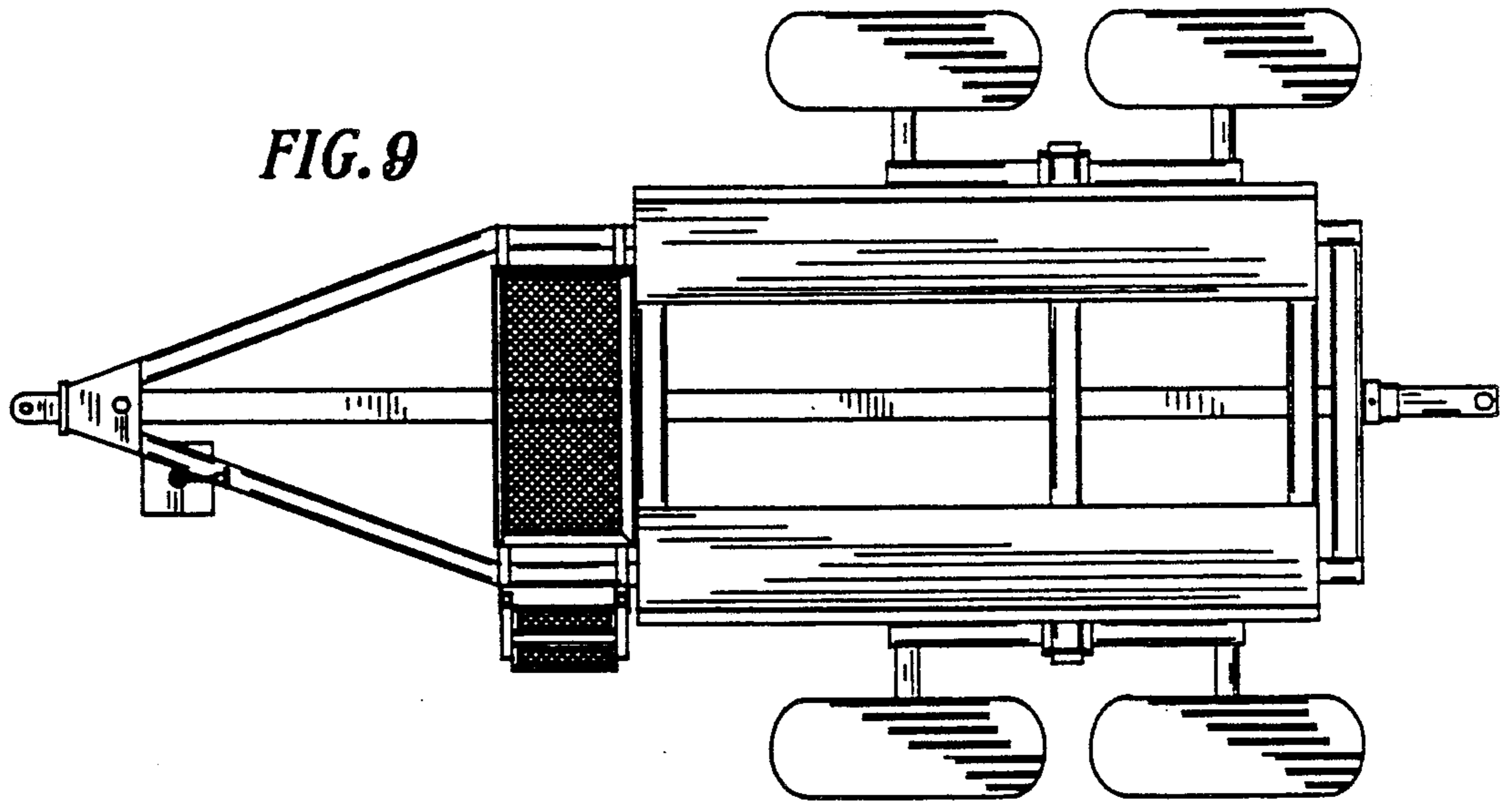


FIG. 10

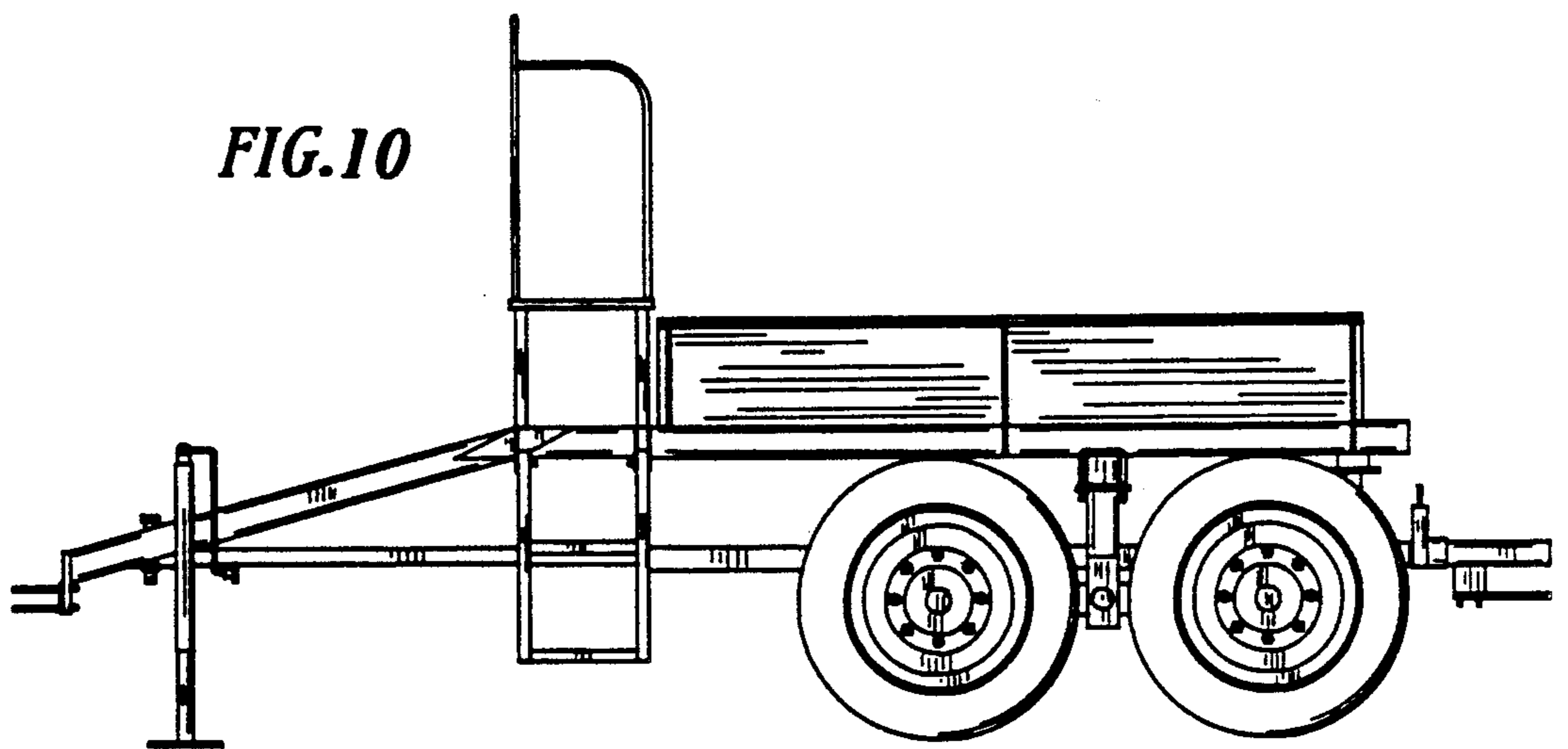


FIG. 11

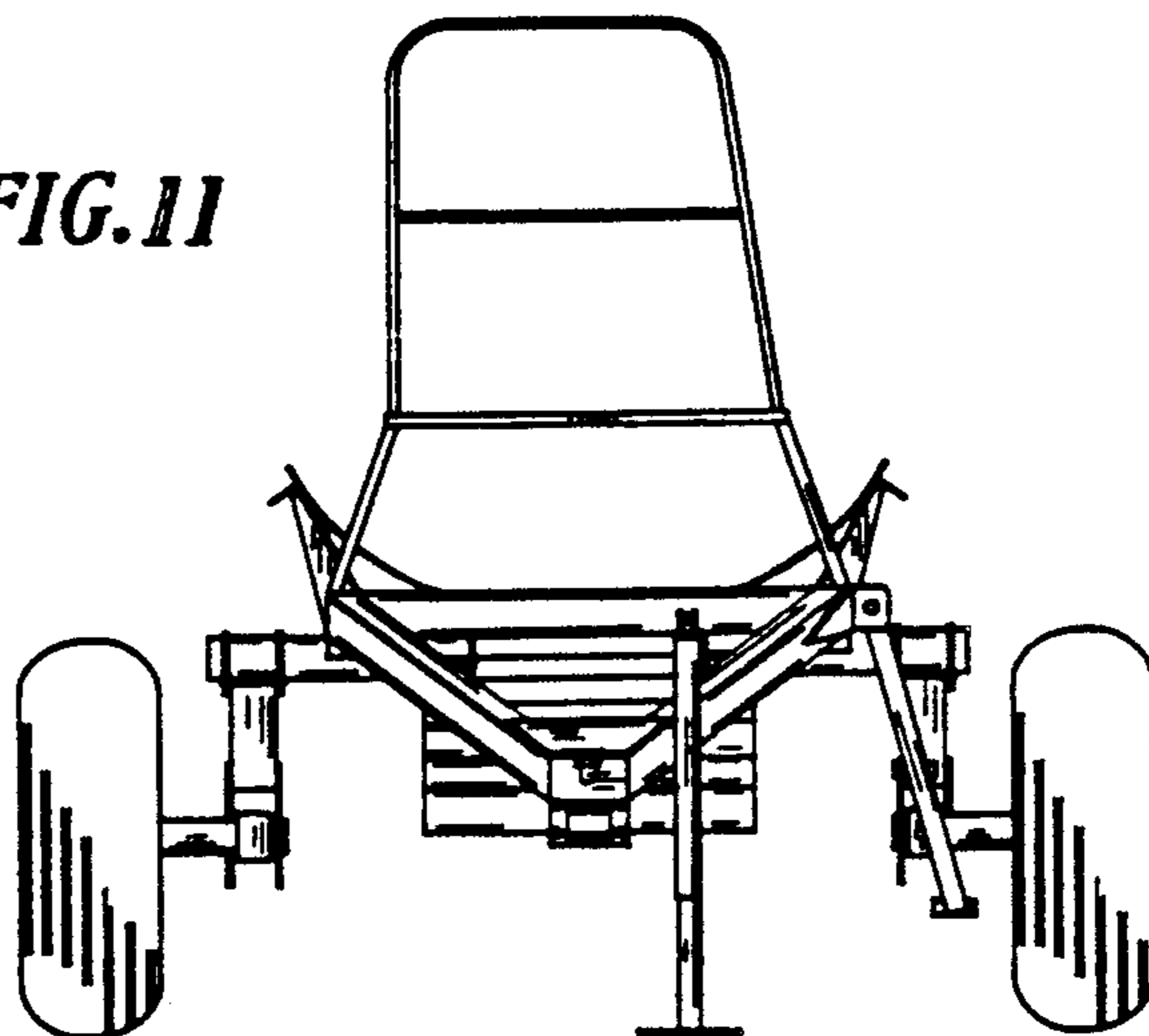


FIG.12

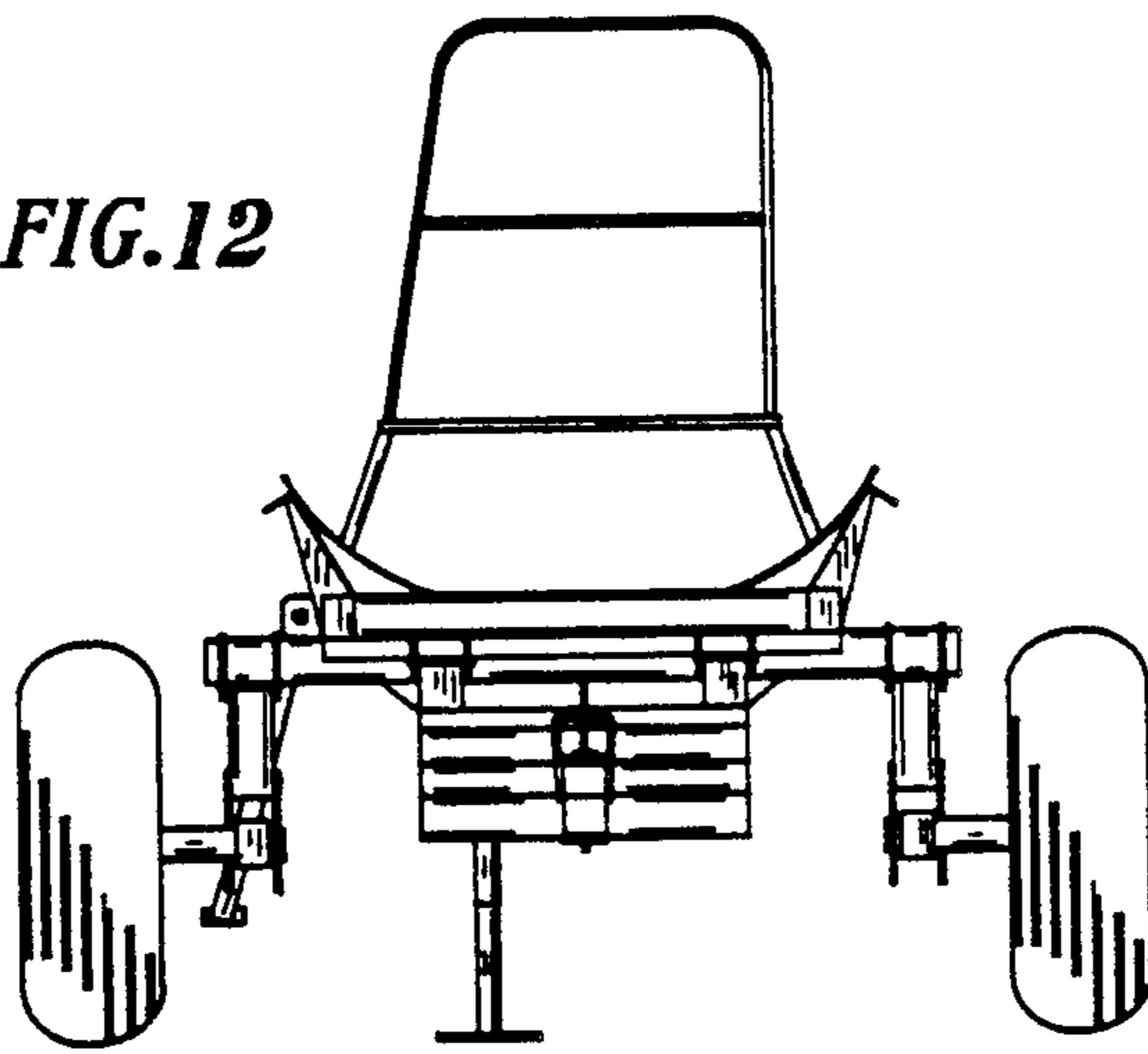


FIG.13

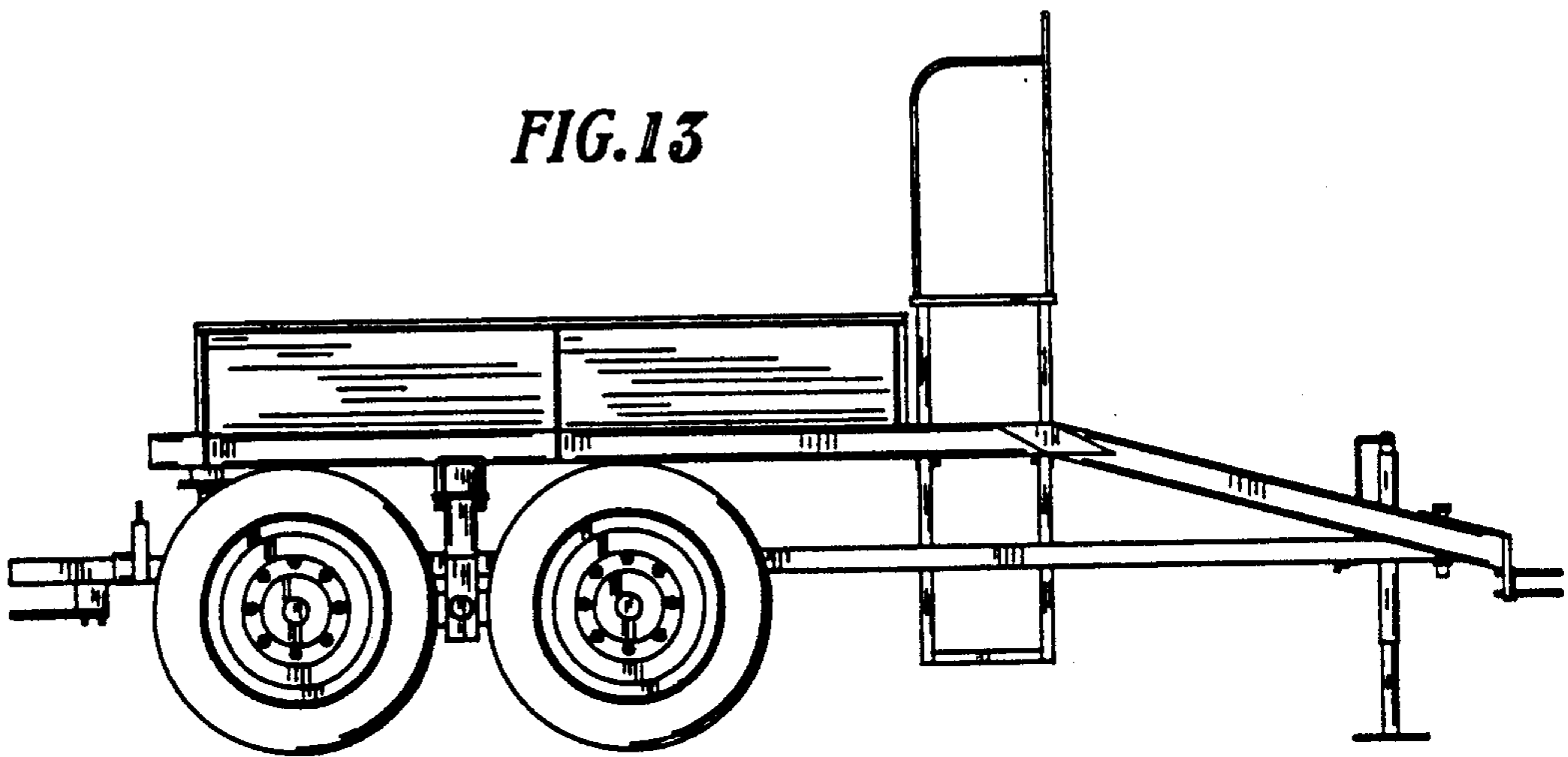


FIG.14

