

[54] FRONT PANEL FOR A COMPUTER

[75] Inventors: Kevin K. Cooke, Delray Beach; Myron F. Davis, Boca Raton; John R. DeWitt, Boca Raton; John E. McCloskey, Boca Raton, all of Fla.

[73] Assignee: International Business Machines Corporation, Armonk, N.Y.

[\*\*] Term: 14 Years

[21] Appl. No.: 425,881

[22] Filed: Oct. 23, 1989

[52] U.S. Cl. .... D14/115

[58] Field of Search ..... D14/100-105, D14/108, 109, 114, 115; D13/162, 184, 199; 360/97-99, 132, 133; 361/331, 332, 380, 381, 390-395, 415, 426; 174/50, 52.1

[56] References Cited

U.S. PATENT DOCUMENTS

- D. 280,326 8/1985 Jordan ..... D14/115
- D. 293,909 1/1987 Davis ..... D14/100
- D. 297,893 10/1988 Garmon ..... D6/494
- D. 298,252 3/1987 Sapper ..... D14/115

- D. 306,438 3/1990 Garmon et al. .... D14/115
- D. 307,422 4/1990 Ronzani ..... D14/115

OTHER PUBLICATIONS

Manual: IBM Personal System/2-Model 60 Quick Reference.

Excerpt: Introduction to Computer Science Book "Introduction Computer and their Use in Problem Solving" pp. 1-4.

Primary Examiner—Wallace R. Burke  
Assistant Examiner—Freda S. Nunn  
Attorney, Agent, or Firm—George E. Grosser

[57] CLAIM

The ornamental design for a front panel for a computer, as shown and described.

DESCRIPTION

FIG. 1 is a front elevational view of a front panel for a computer showing our new design; FIG. 2 is a top plan view thereof; FIG. 3 is a bottom plan view thereof; FIG. 4 is a right side elevational view thereof; FIG. 5 is a left side elevational view thereof; FIG. 6 is an enlarged perspective view thereof.

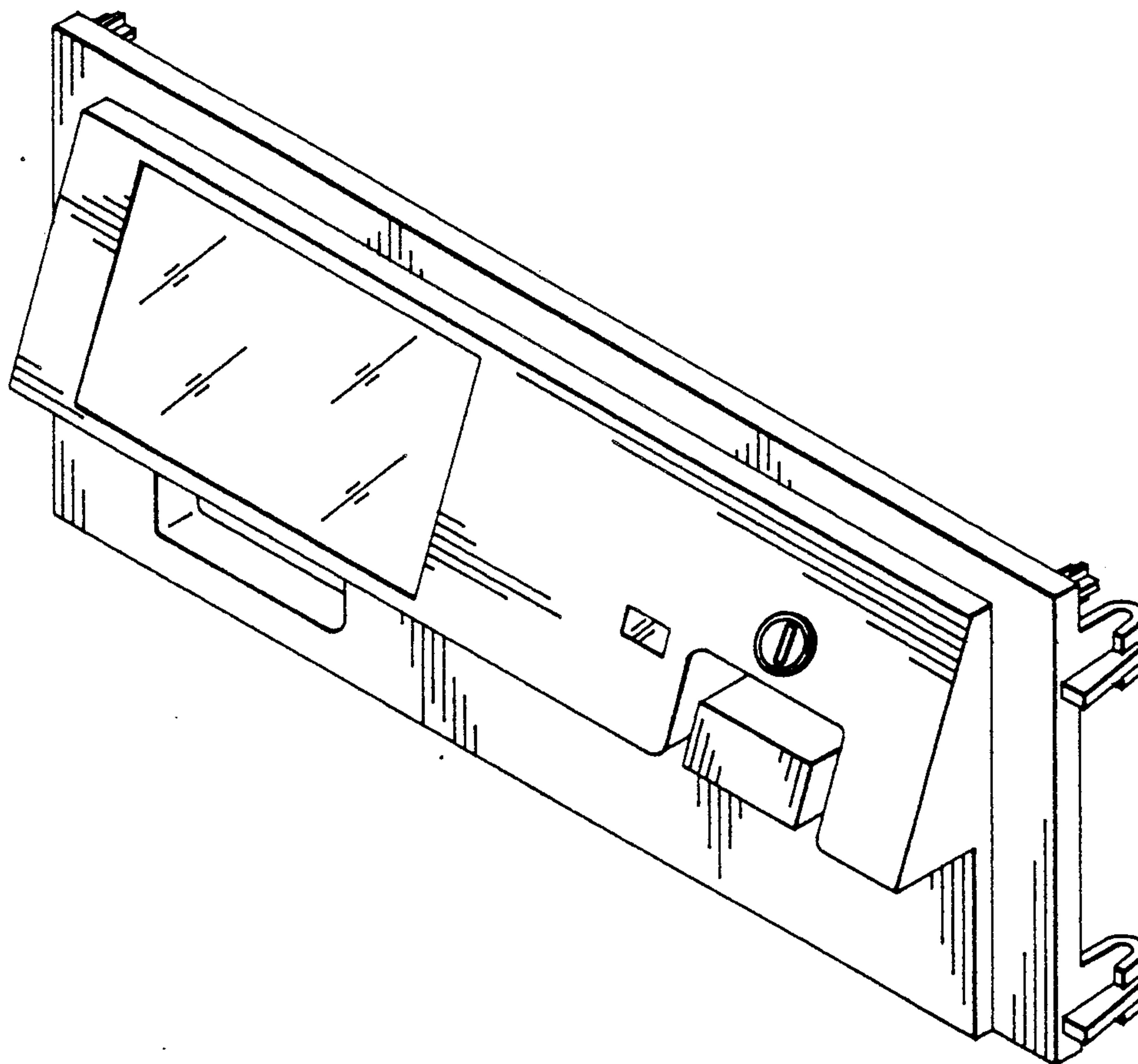


FIG. 1

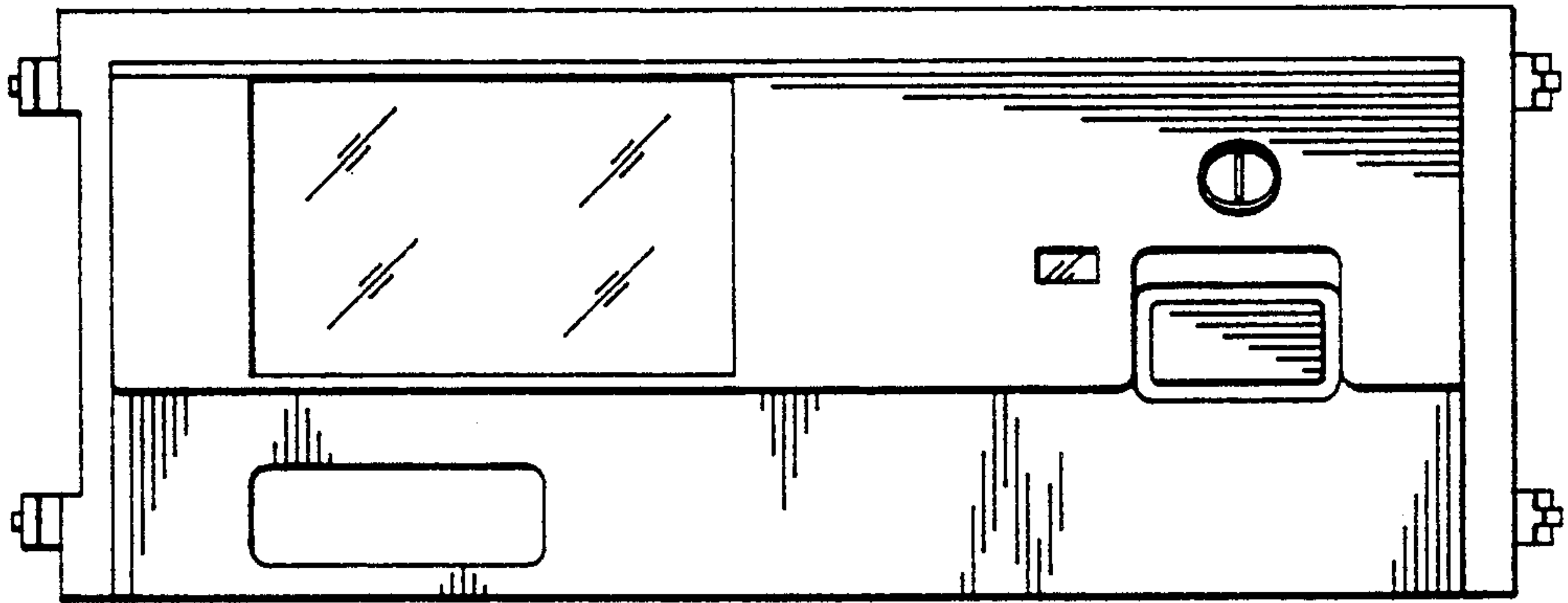


FIG. 2

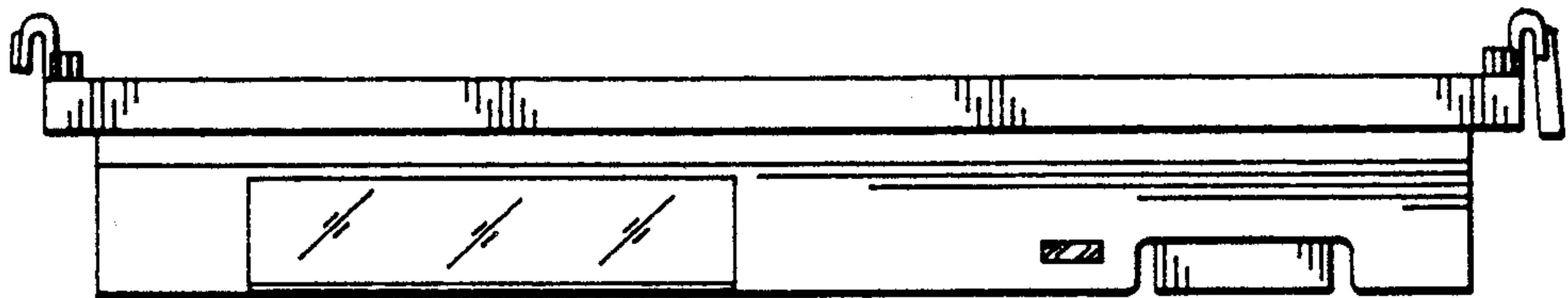


FIG. 3

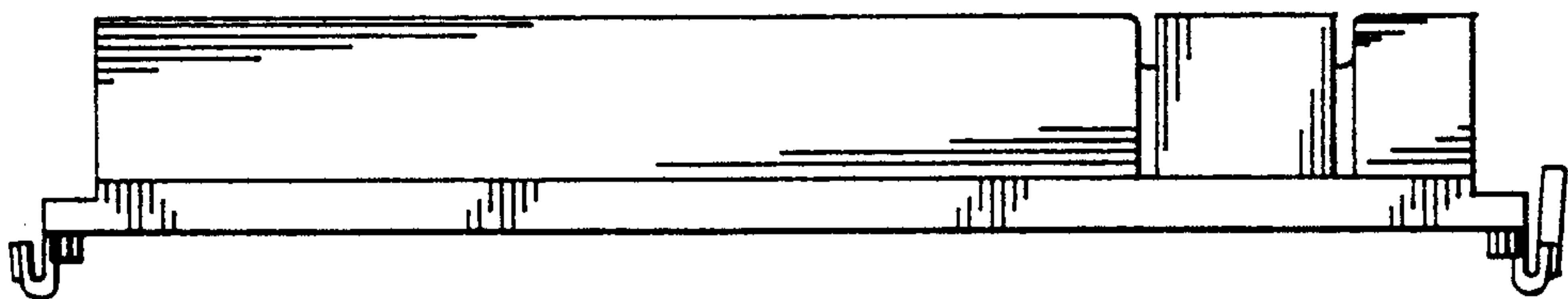


FIG. 4

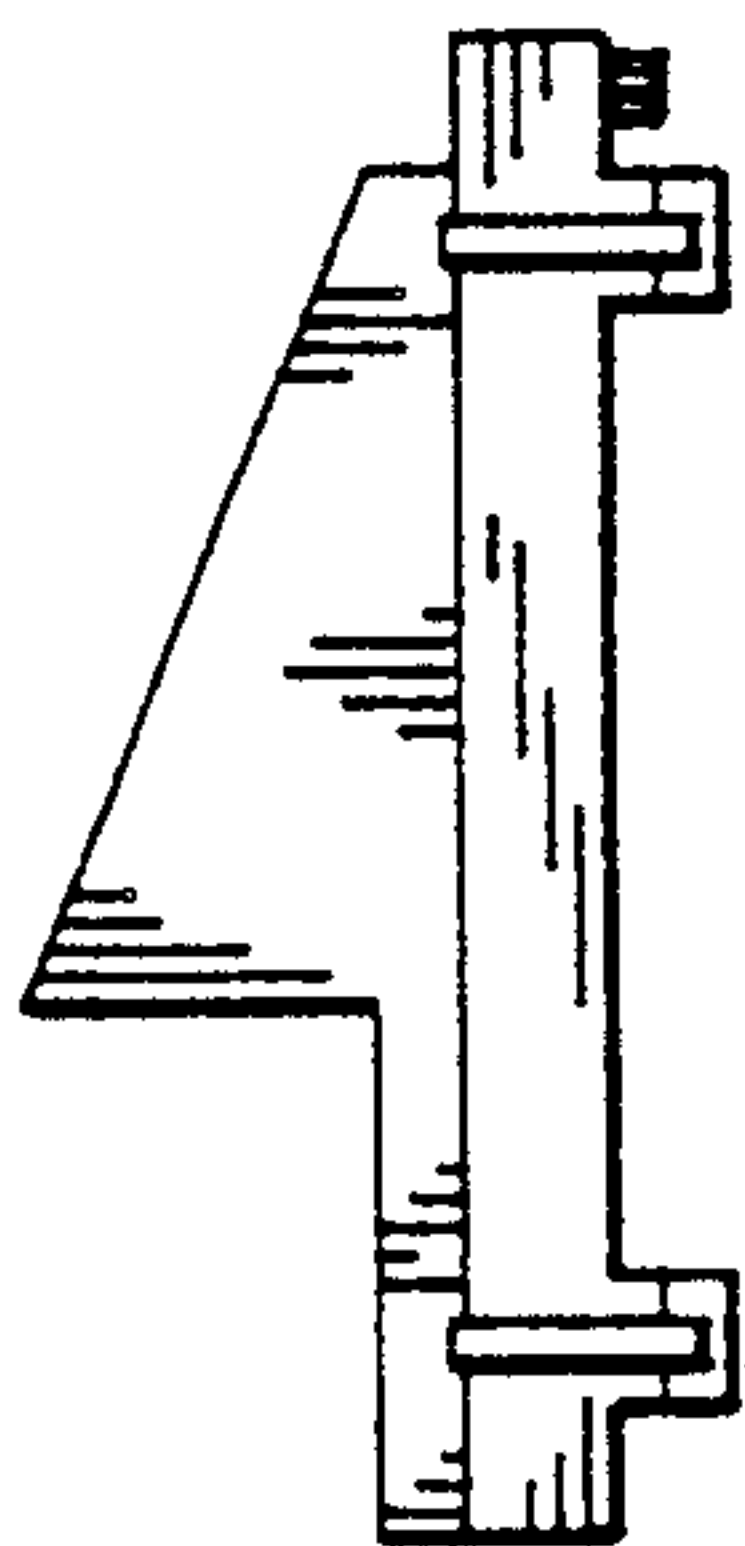


FIG. 5

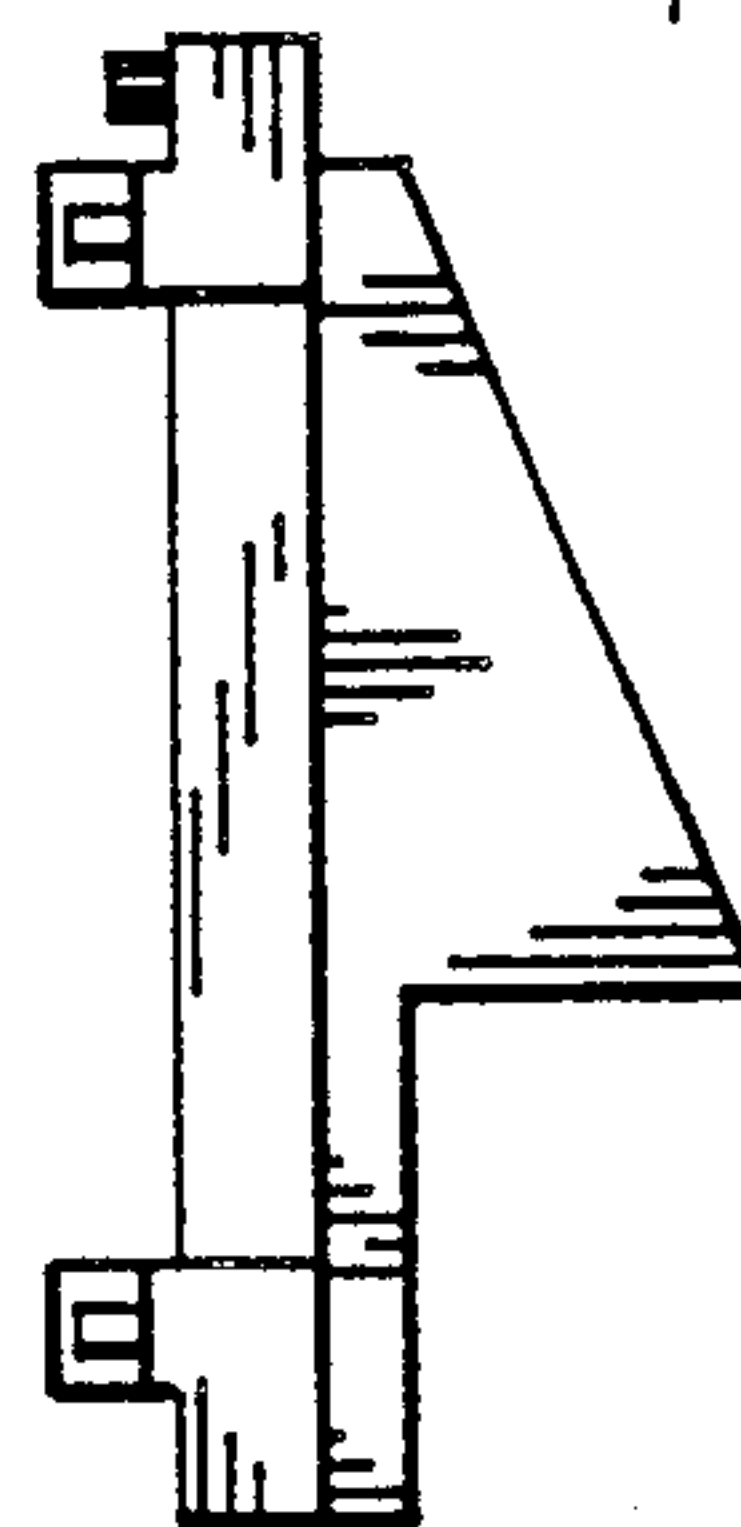


FIG. 6

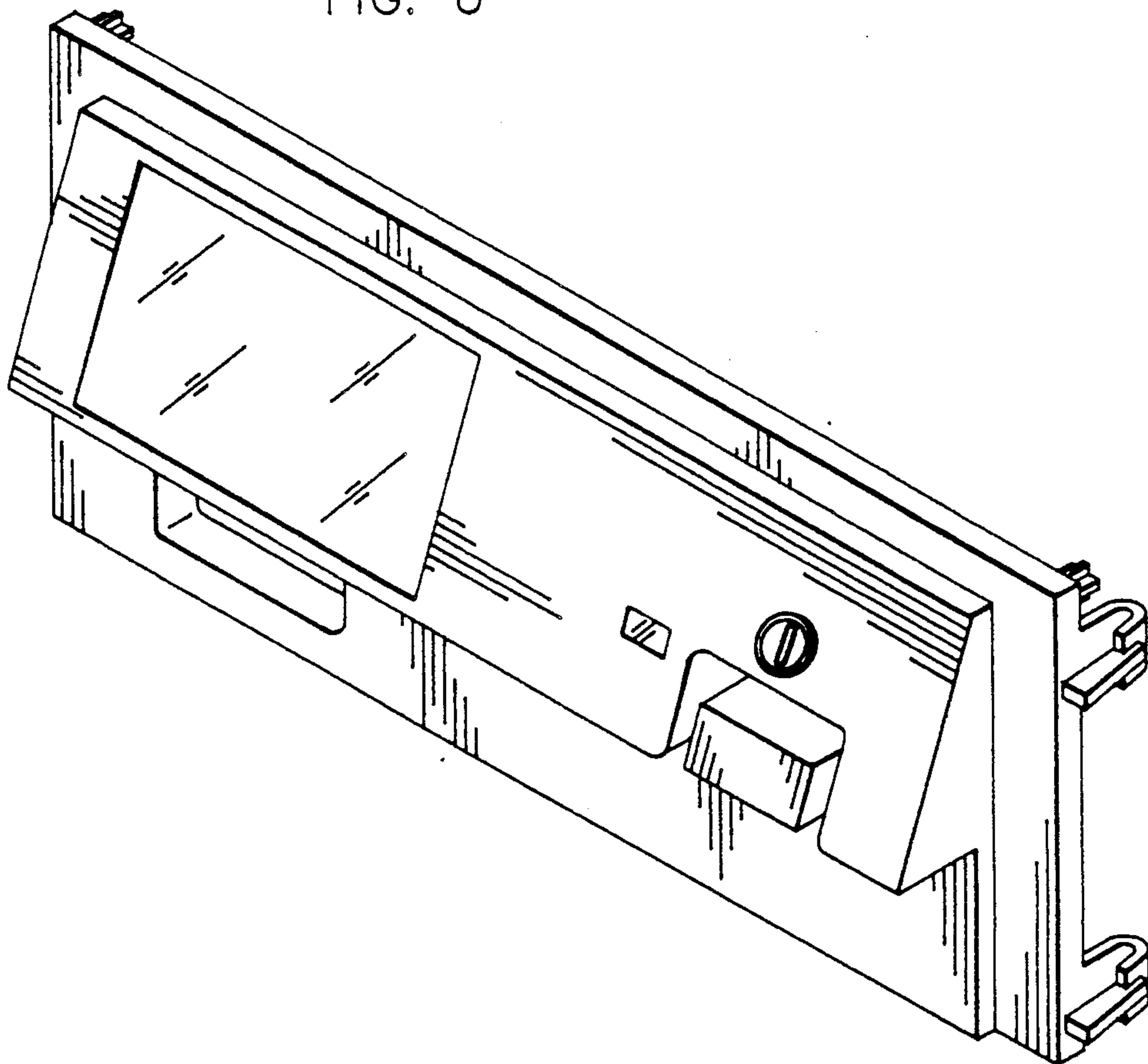


FIG. 4

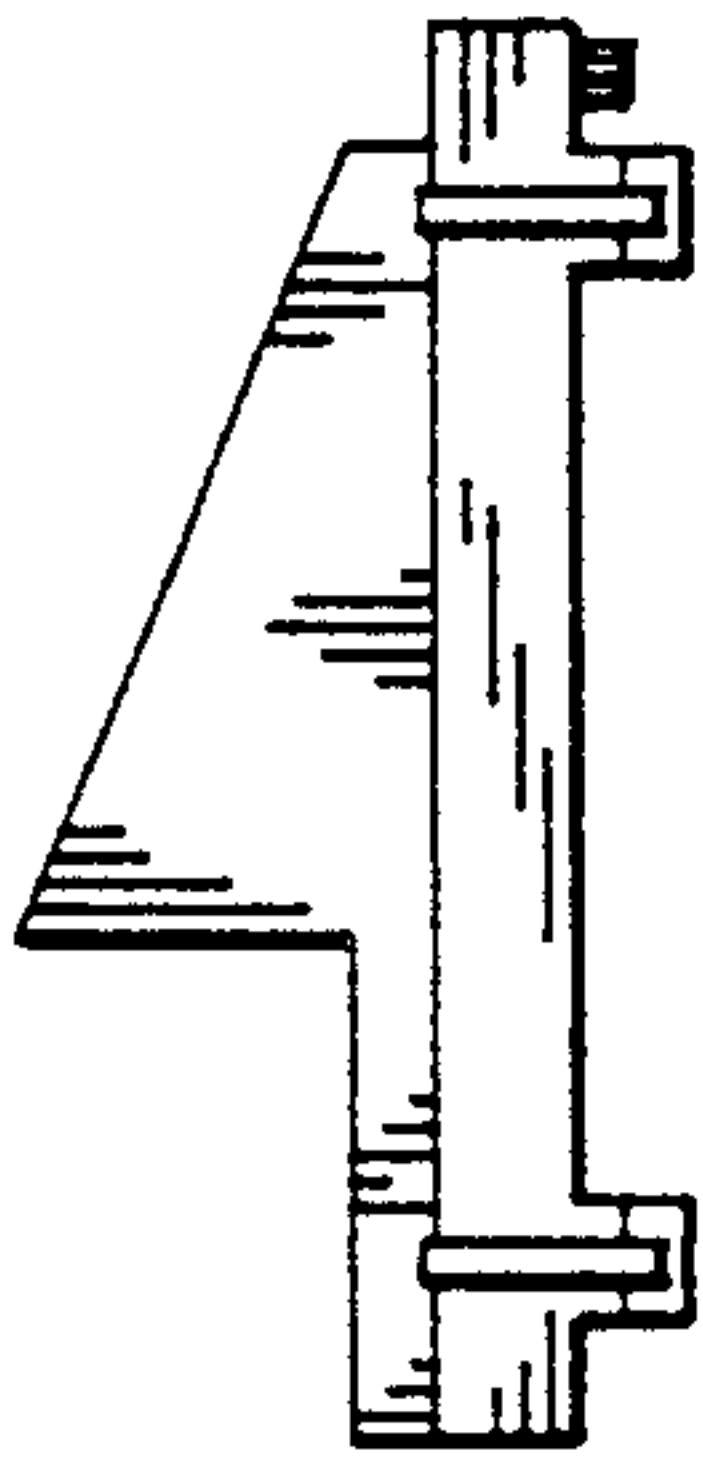


FIG. 5

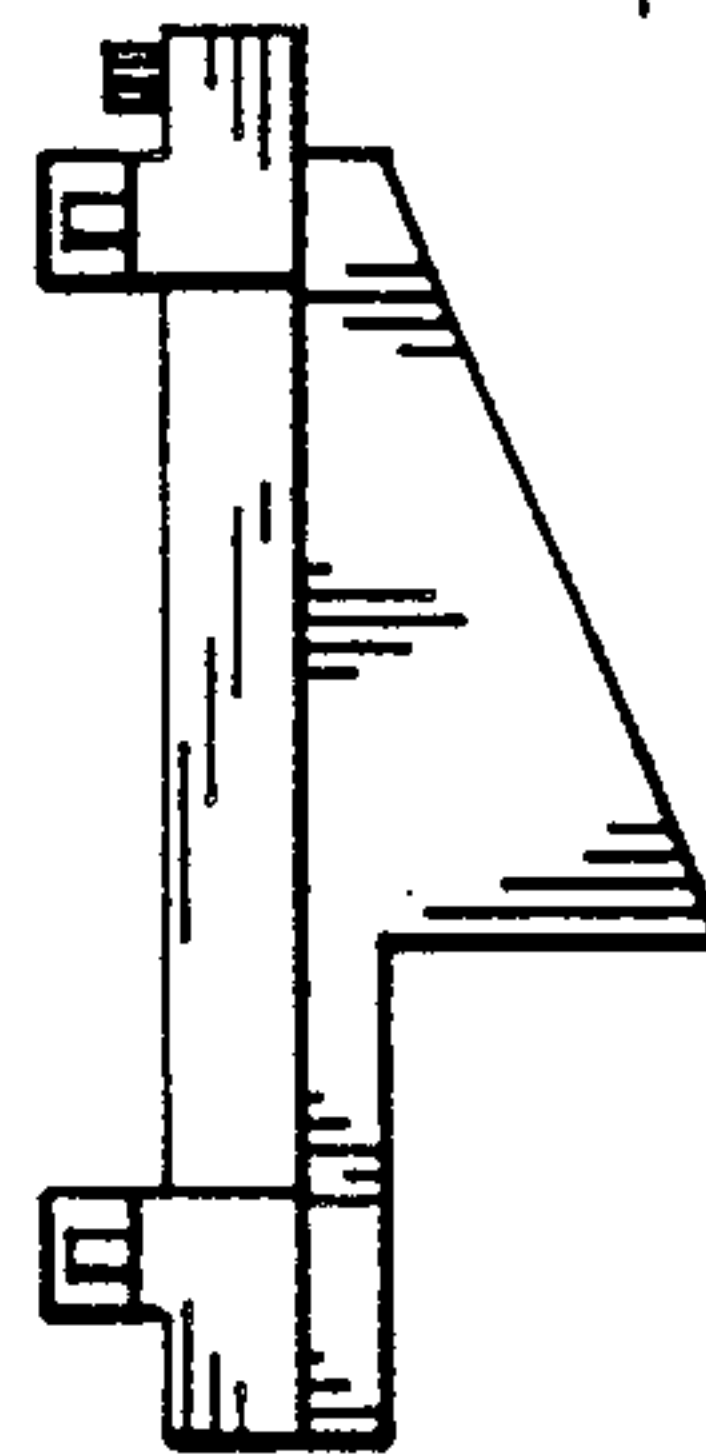


FIG. 6

