

[54] COMPUTER MOUSE

[75] Inventor: Ping Y. W. Norris, Tsuen Wan, Hong Kong

[73] Assignee: Hewlett-Packard Company, Palo Alto, Calif.

[**] Term: 14 Years

[21] Appl. No.: 449,257

[22] Filed: Dec. 11, 1989

[52] U.S. Cl. D14/114

[58] Field of Search D14/100, 106, 114; D13/158; D21/48; 178/18, 19; 200/5 A, 5 R, 6 A, 6 R; 273/148 B; 340/707, 710; 74/471 X

[56] References Cited

U.S. PATENT DOCUMENTS

- D. 301,142 5/1989 Chu D14/114
- D. 302,426 7/1989 Bradley et al. D14/114
- D. 305,649 1/1990 Lin D14/114

D. 306,017 2/1990 Shulman et al. D14/114

OTHER PUBLICATIONS

Jade Computer, p. 19, Microsoft Mouse, top of page.

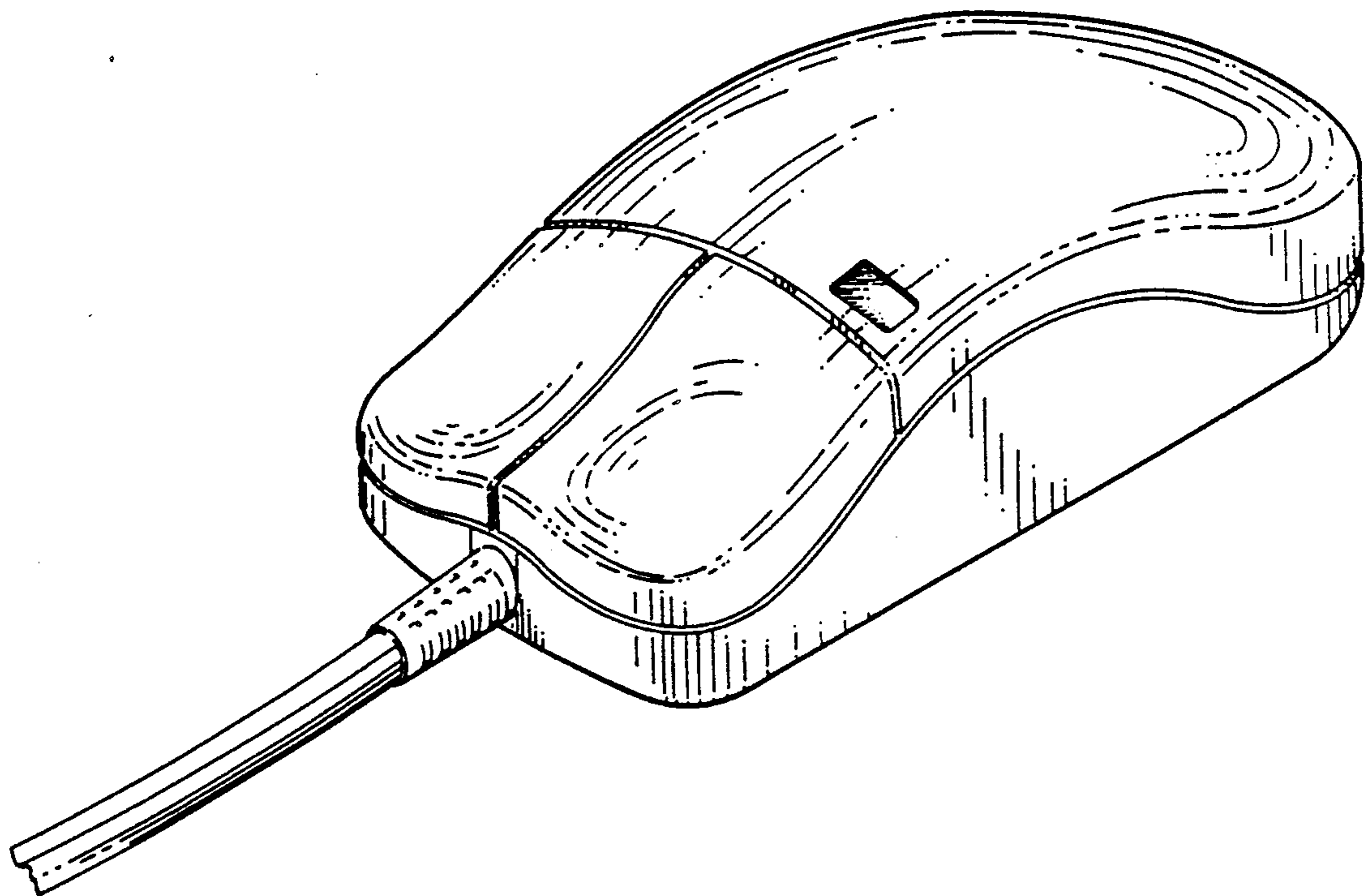
Primary Examiner—Wallace R. Burke
Assistant Examiner—Freda S. Nonn
Attorney, Agent, or Firm—Roland I. Griffin; Alan H. Haggard

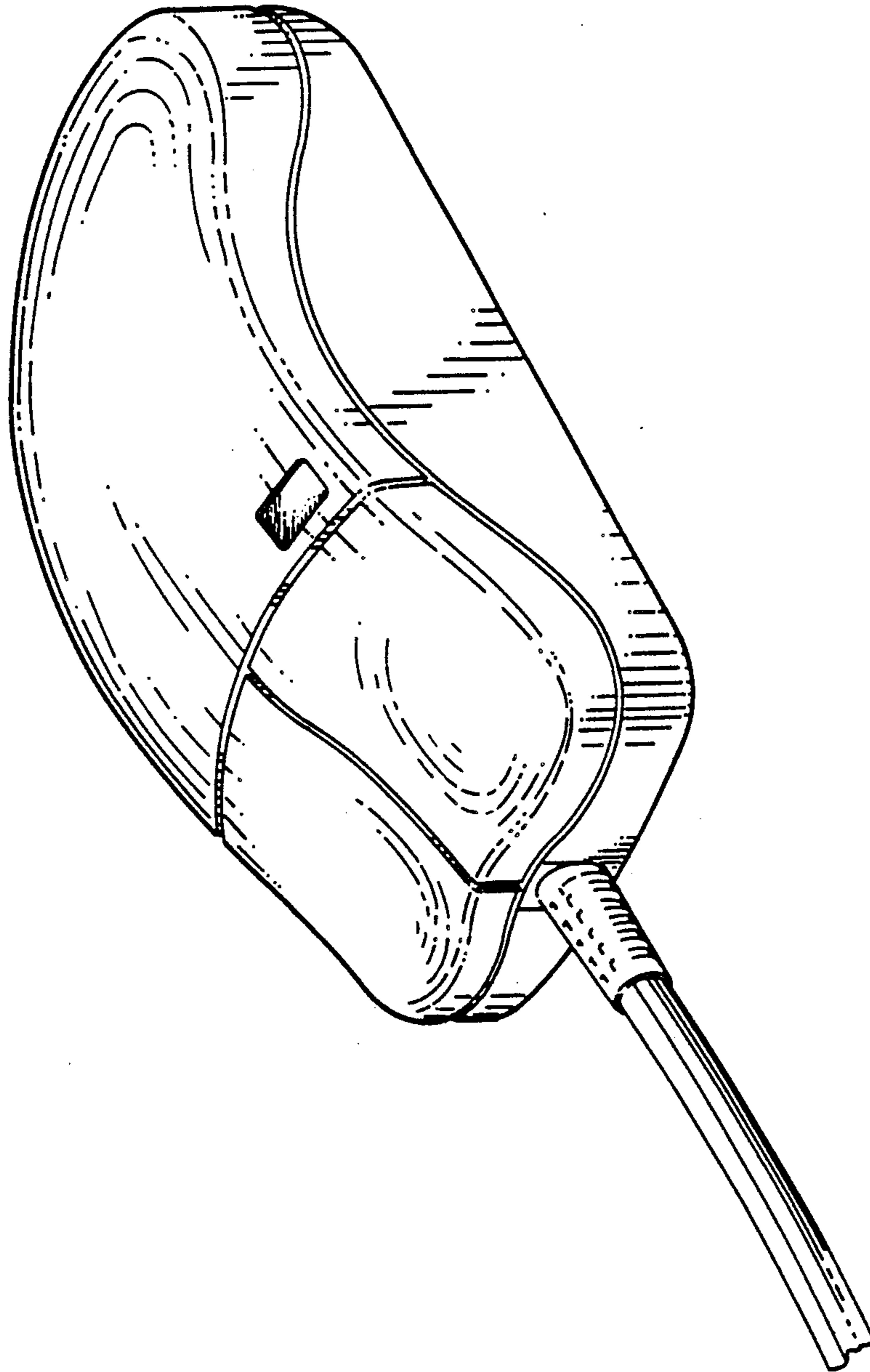
[57] CLAIM

The ornamental design for a computer mouse, as shown and described.

DESCRIPTION

FIG. 1 is a top, front, right side perspective view of a computer mouse showing my new design; FIG. 2 is a left side elevational view thereof; FIG. 3 is a right side elevational view thereof; FIG. 4 is a top plan view thereof; FIG. 5 is a bottom plan view thereof; FIG. 6 is a back elevational view thereof; and FIG. 7 is a front elevational view thereof.





FIG—1

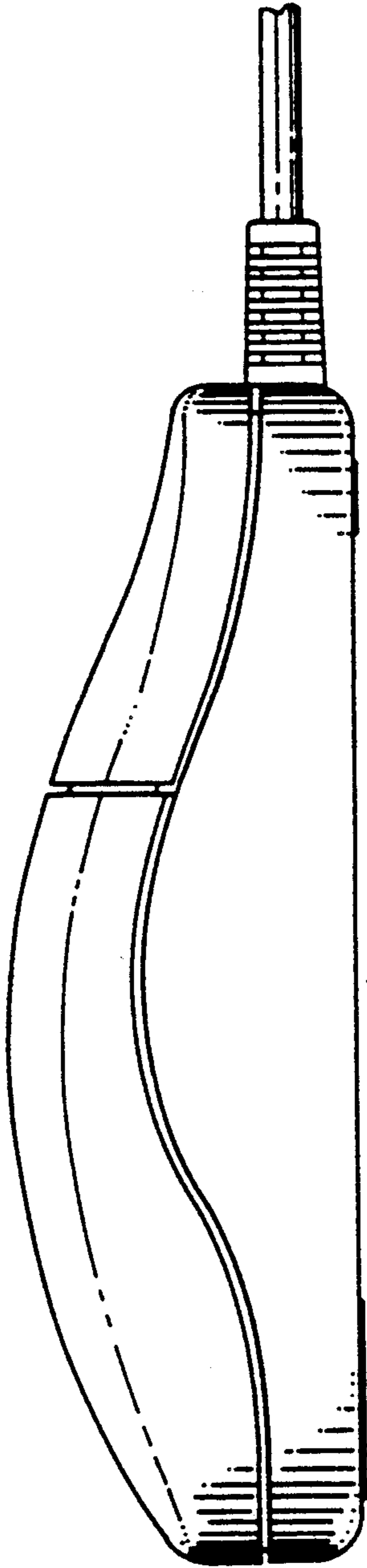


FIG. 2

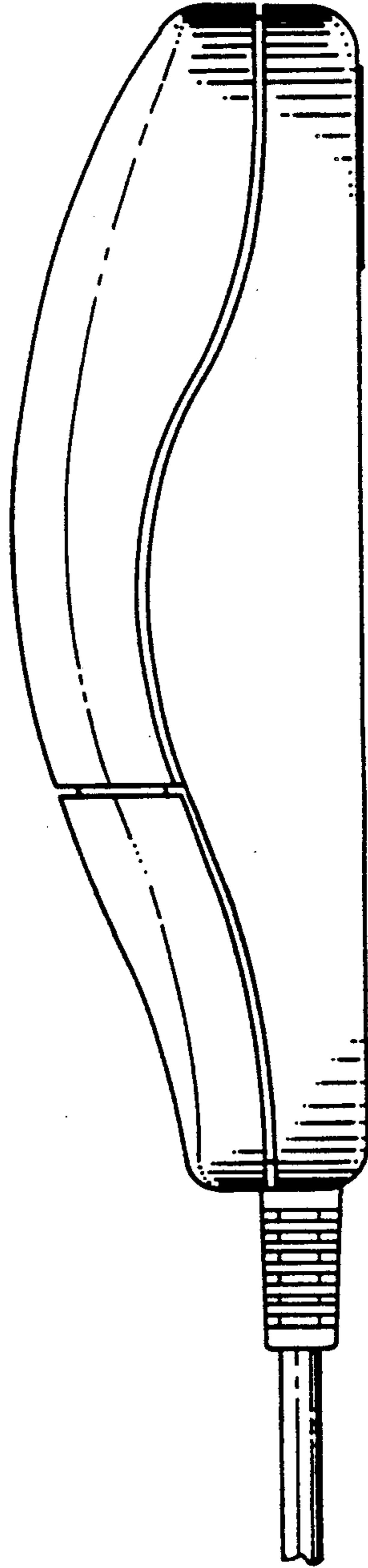


FIG. 3

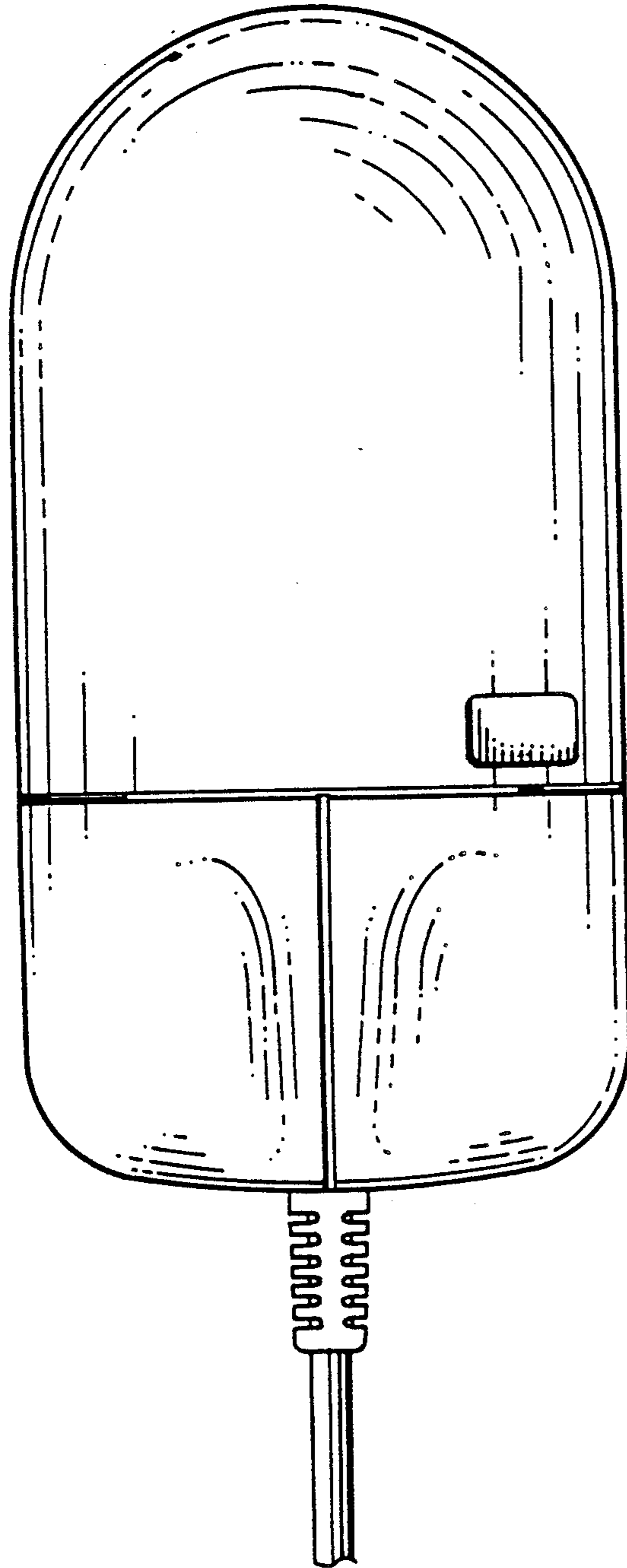


FIG. 4

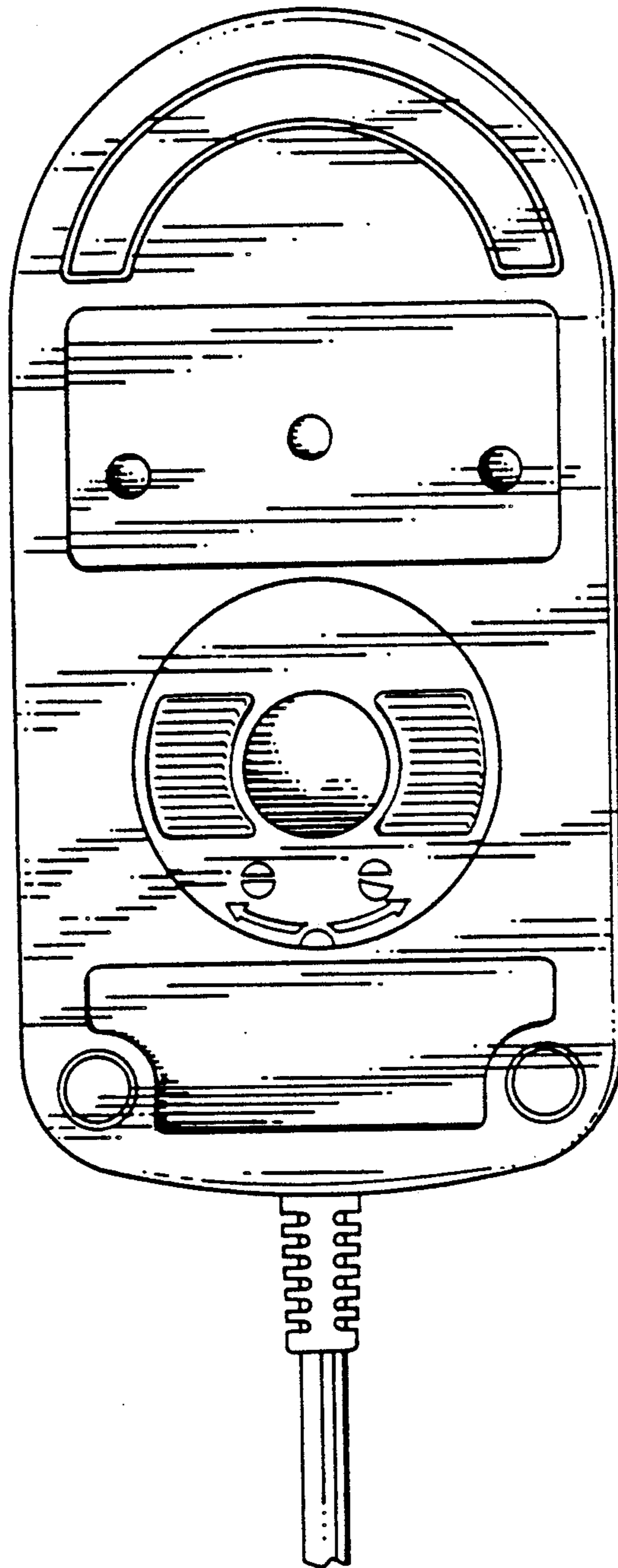
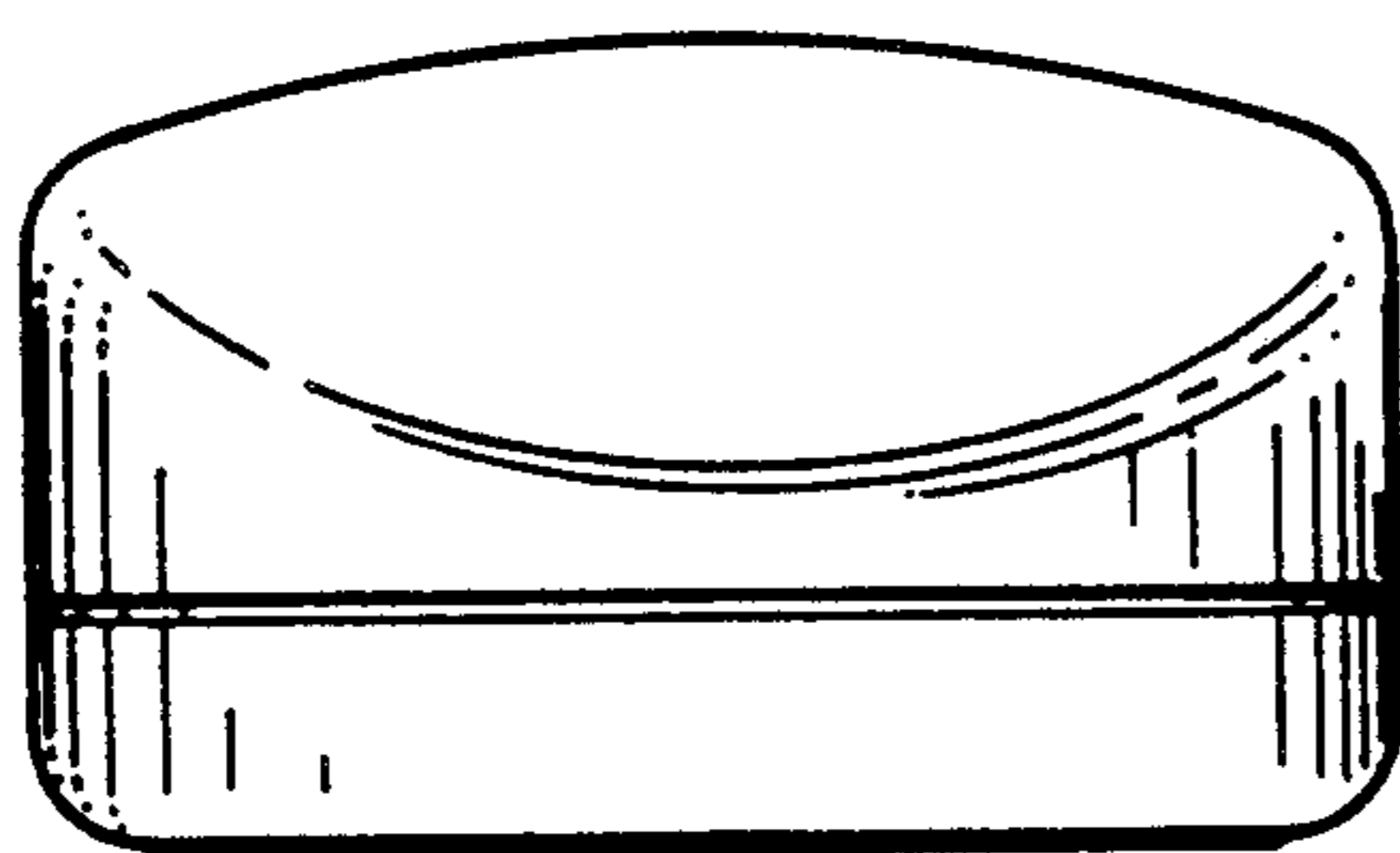
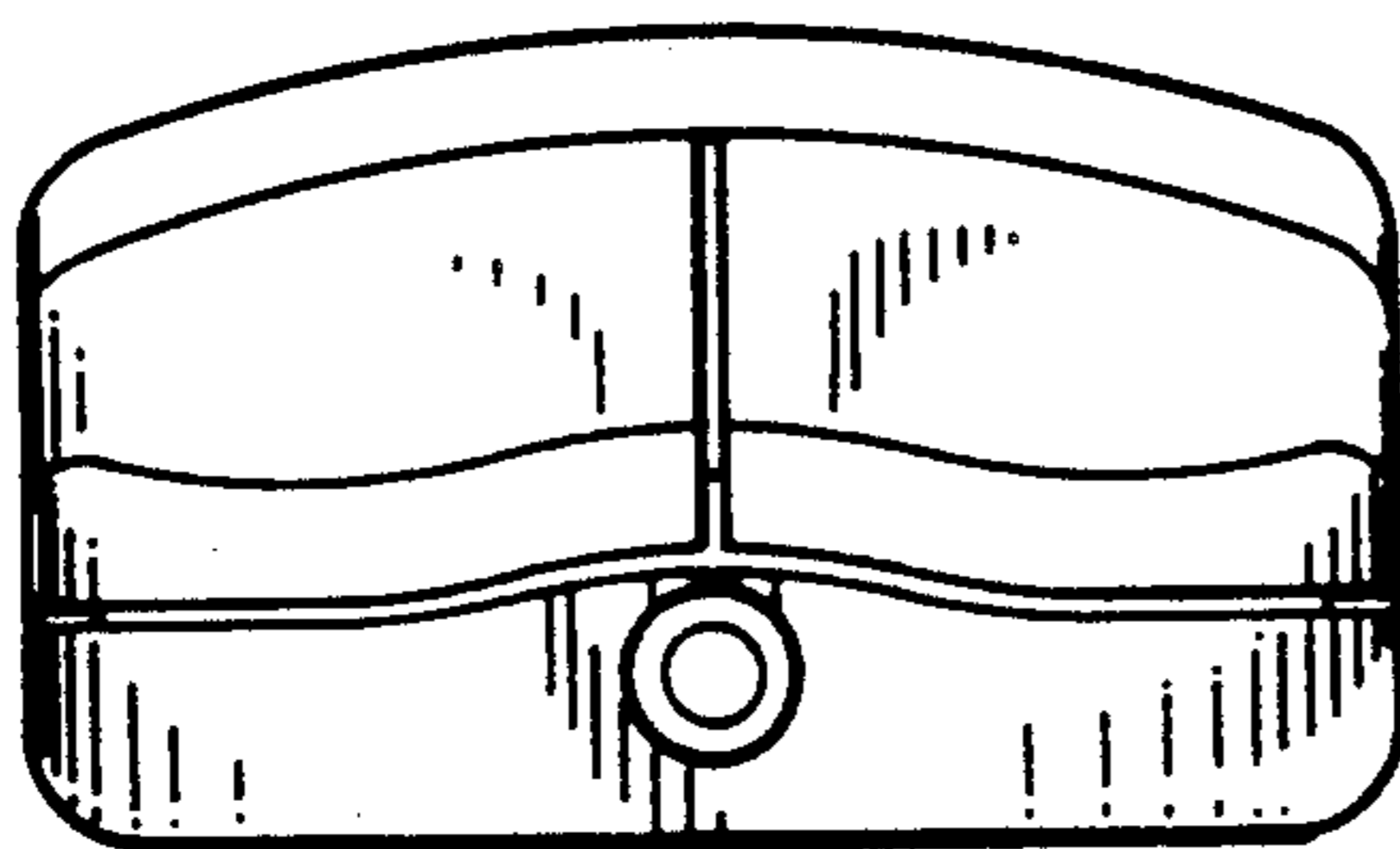


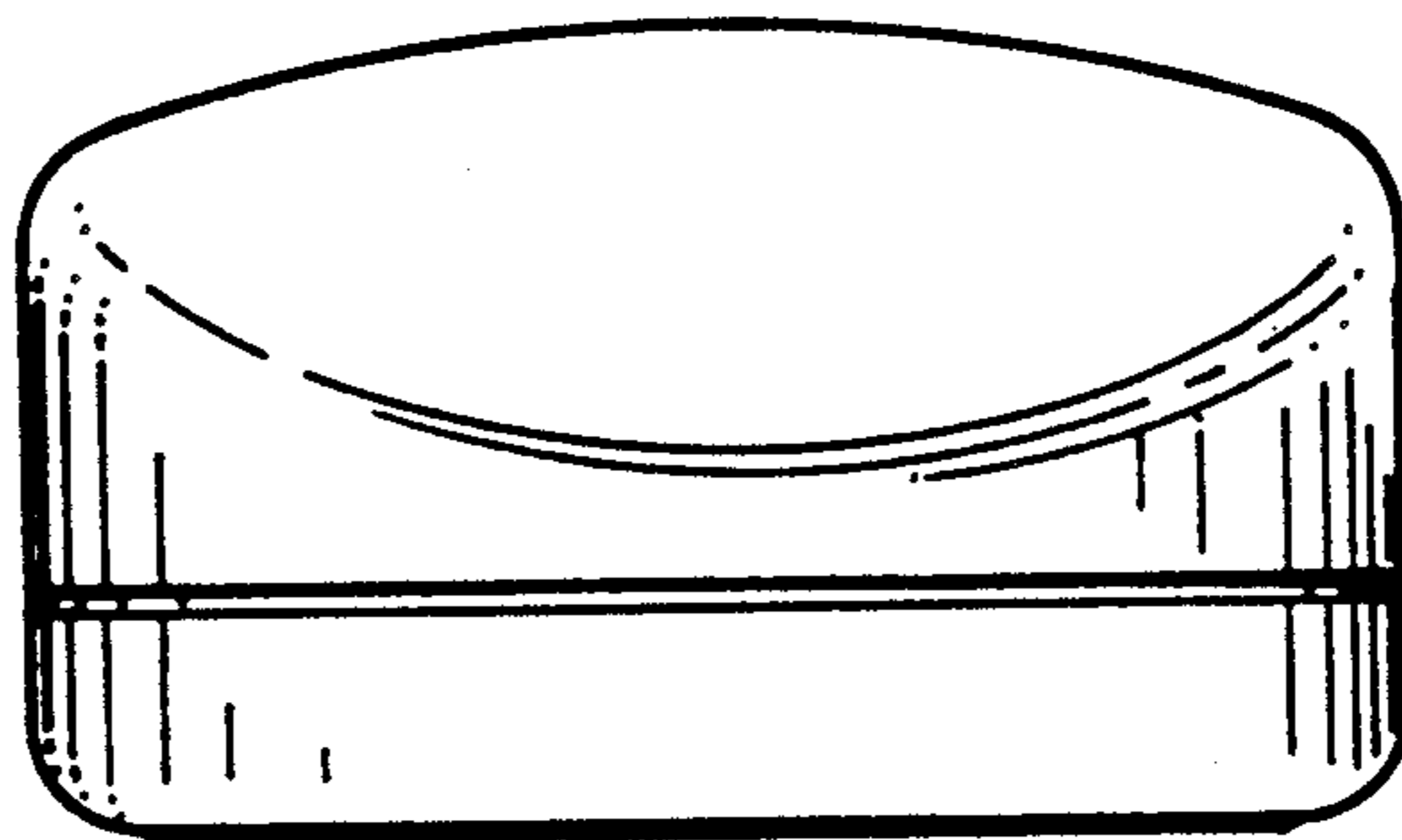
FIG- 5



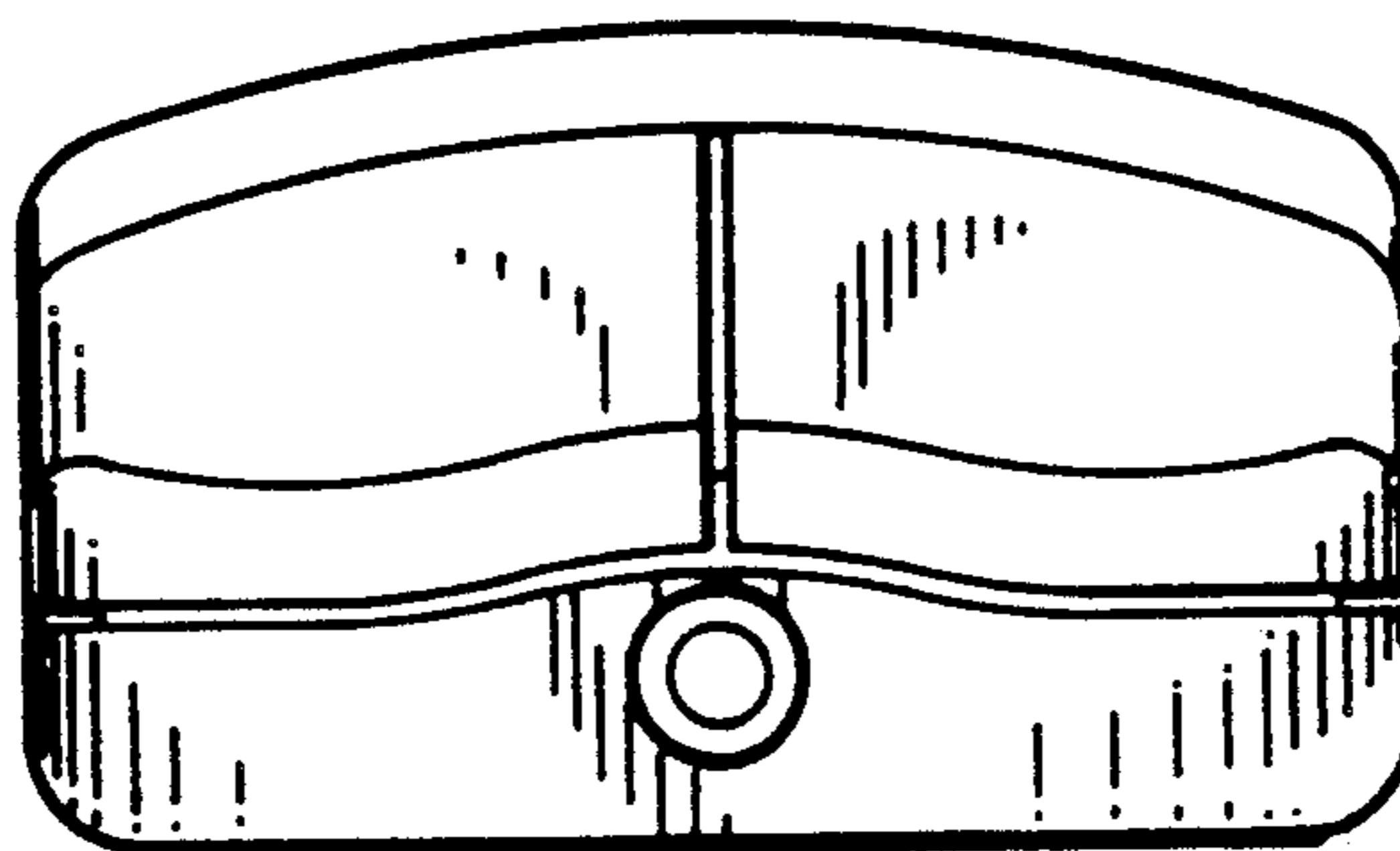
FIG_ 6



FIG_ 7



FIG_ 6



FIG_ 7