

[54] CABLE SLEEVE FOR ABSORBING ELECTRIC NOISE

[75] Inventor: Akio Fujioka, Ichikawa, Japan

[73] Assignee: Kitagawa Industries Co., Ltd., Japan

[**] Term: 14 Years

[21] Appl. No.: 377,202

[22] Filed: Jul. 10, 1989

[30] Foreign Application Priority Data

Jan. 13, 1989 [JP] Japan 1-957

[52] U.S. Cl. D13/199; D13/156

[58] Field of Search D13/156, 157, 118, 133, D13/147; D8/356, 396; 174/72 A, 74 A, 74 R, 52.1, 92, 138 F; 336/65, 92

[56] References Cited

U.S. PATENT DOCUMENTS

- D. 118,697 1/1940 Gallagher D8/396
- D. 284,465 7/1986 Epley D13/156
- 3,711,632 1/1973 Ghirardi 174/74 R X
- 3,757,031 9/1973 Israeli 174/92 X
- 3,838,213 9/1974 Georgopoulos et al. 174/52.1 X
- 4,882,561 11/1989 Fujioka 336/65

FOREIGN PATENT DOCUMENTS

- 1003314 2/1957 Fed. Rep. of Germany 174/92
- 0984179 2/1965 United Kingdom 174/92

Primary Examiner—Susan J. Lucas
Assistant Examiner—Joel Sincavage
Attorney, Agent, or Firm—Oliff & Berridge

[57] CLAIM

The ornamental design for a cable sleeve for absorbing electric noise, as shown and described.

DESCRIPTION

FIG. 1 is a front elevational view of a cable sleeve for absorbing electric noise showing my new design, the rear elevational view being a mirror image;
 FIG. 2 is a bottom plan view thereof;
 FIG. 3 is a right side elevational view thereof; the left side elevational view being a mirror image resulting from the interconnection of the two identical halves;
 FIG. 4 is a right side elevational view thereof shown in the open condition;
 FIG. 5 is a cross-sectional view thereof taken on line 5—5 of FIG. 4;
 FIG. 6 is a cross-sectional view thereof taken along line 6—6 of FIG. 4;
 FIG. 7 is a perspective thereof shown in the open condition;
 FIG. 8 is a perspective view thereof;
 FIG. 9 is a perspective view thereof shown in use with an electrical conductor. The conductor shown in broken lines is for illustrative purposes only and forms no part of the claimed design.

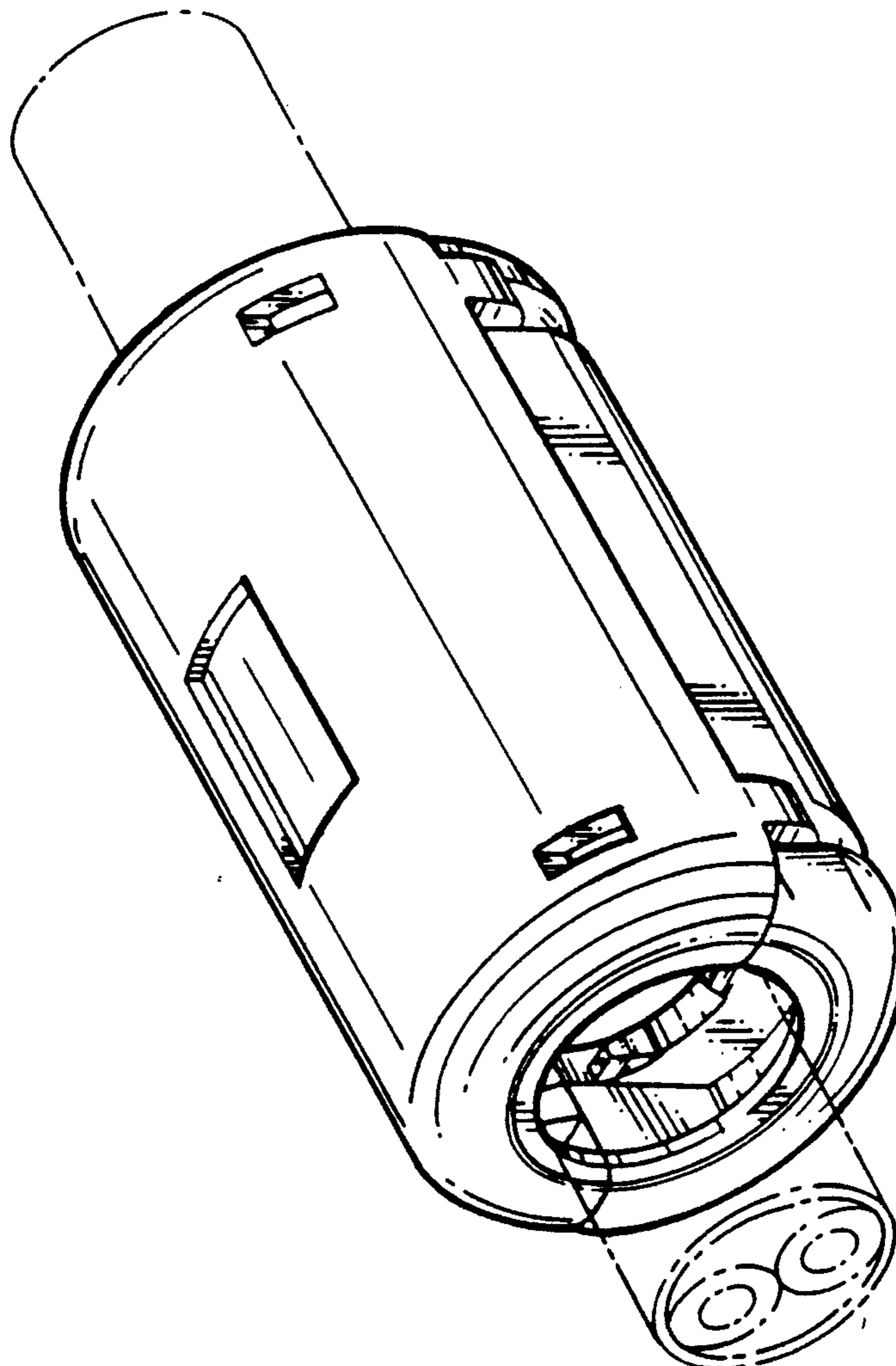


FIG. 1

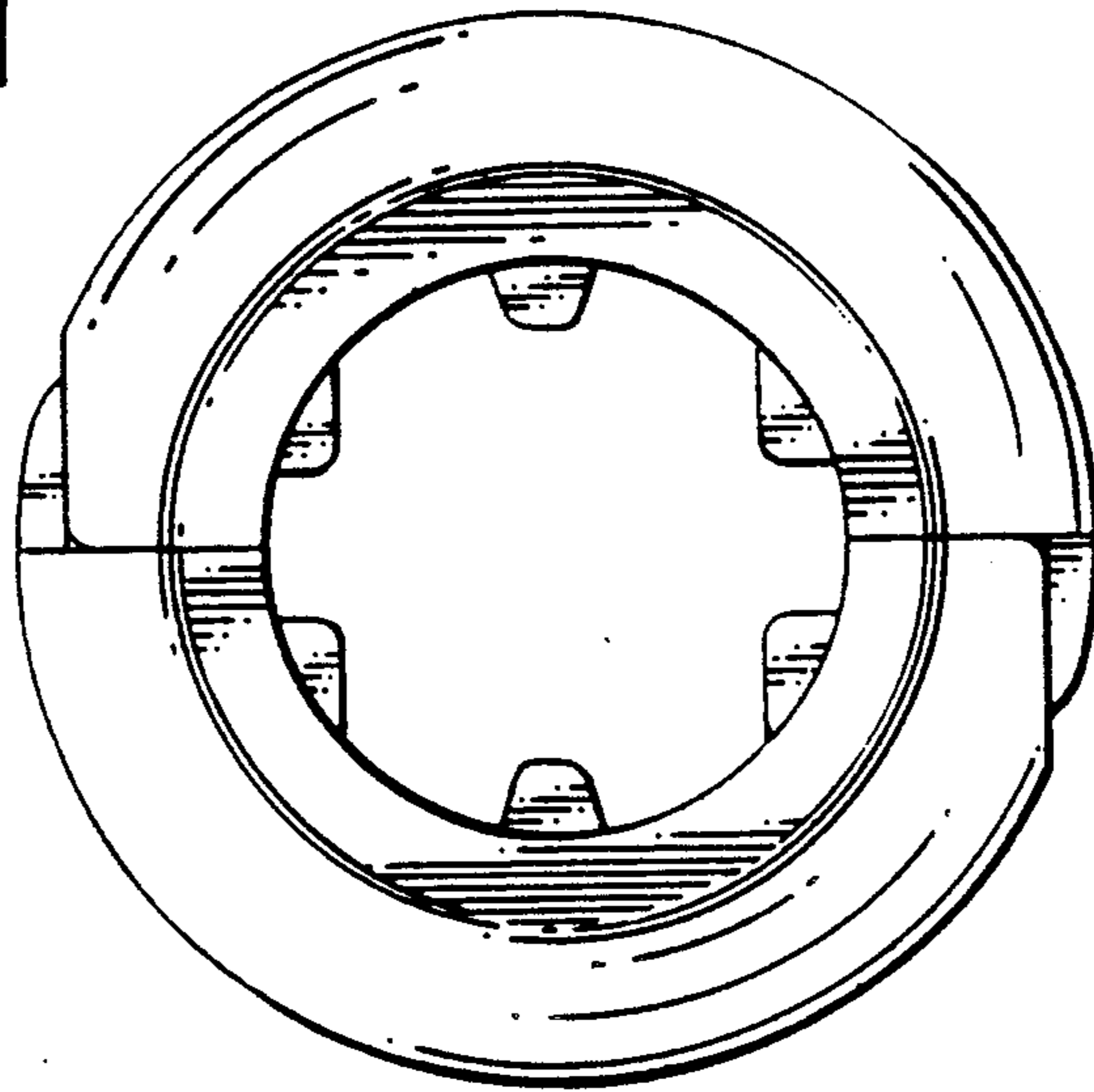


FIG. 2

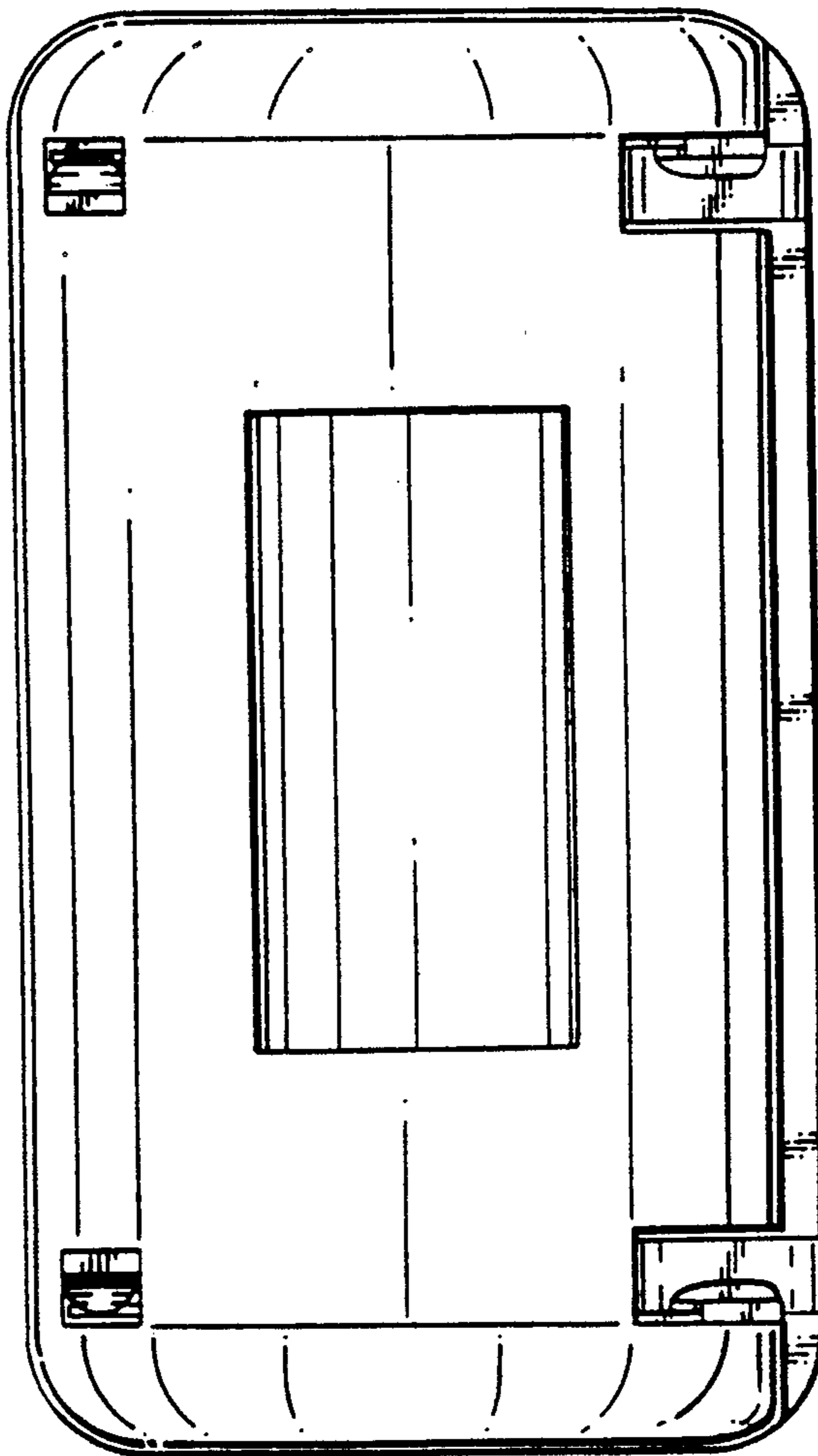


FIG. 3

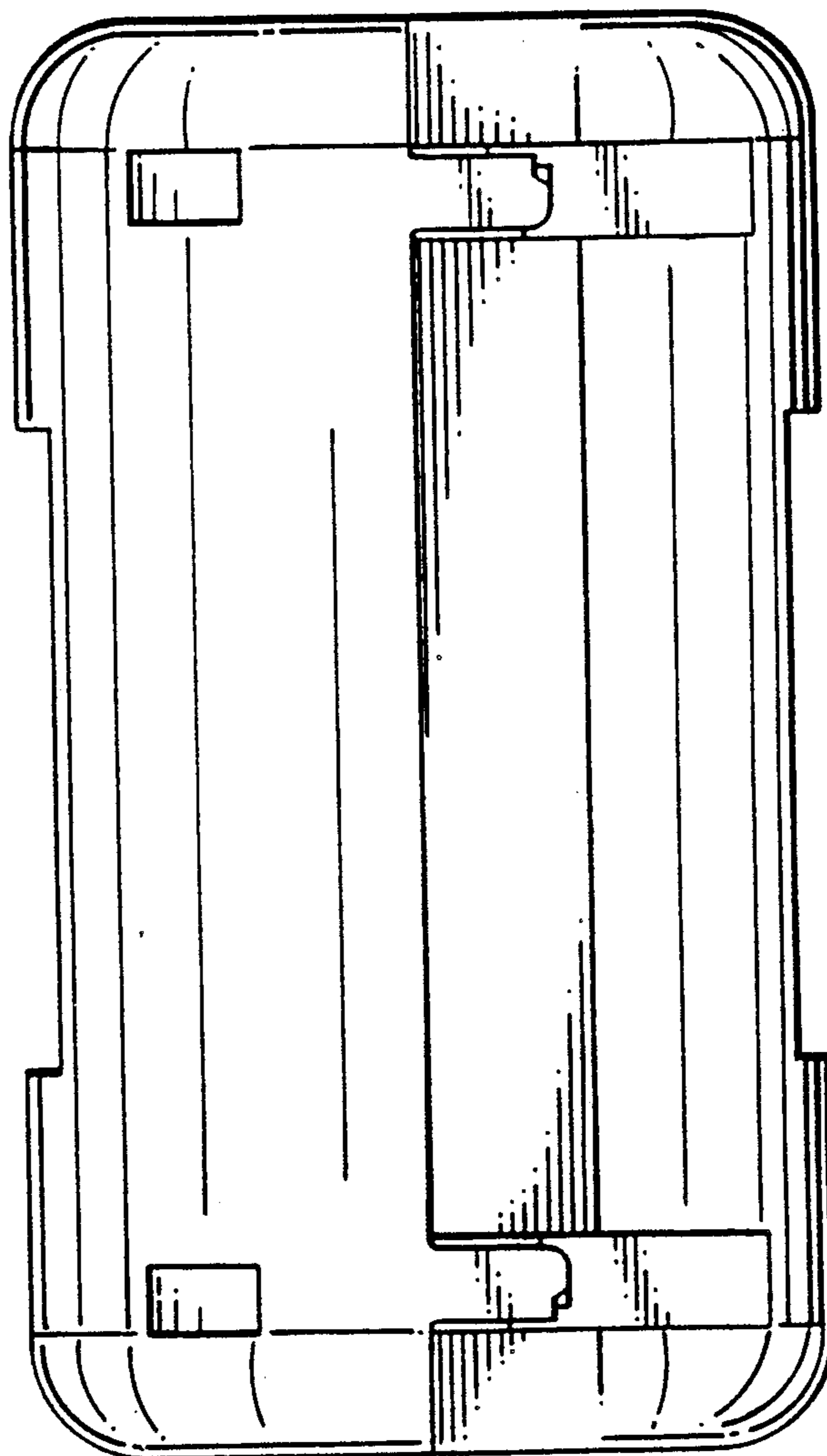


FIG. 4

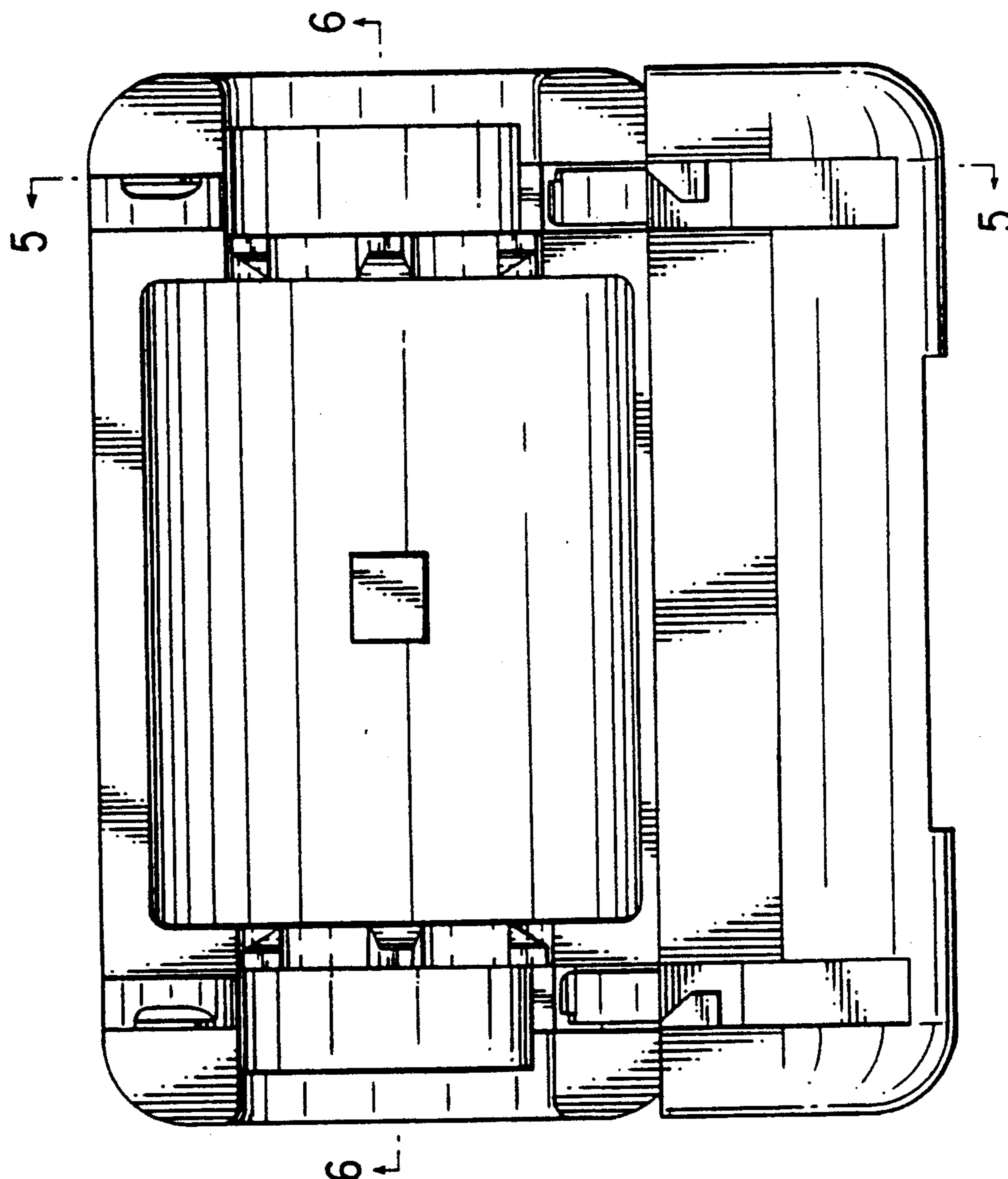


FIG. 5

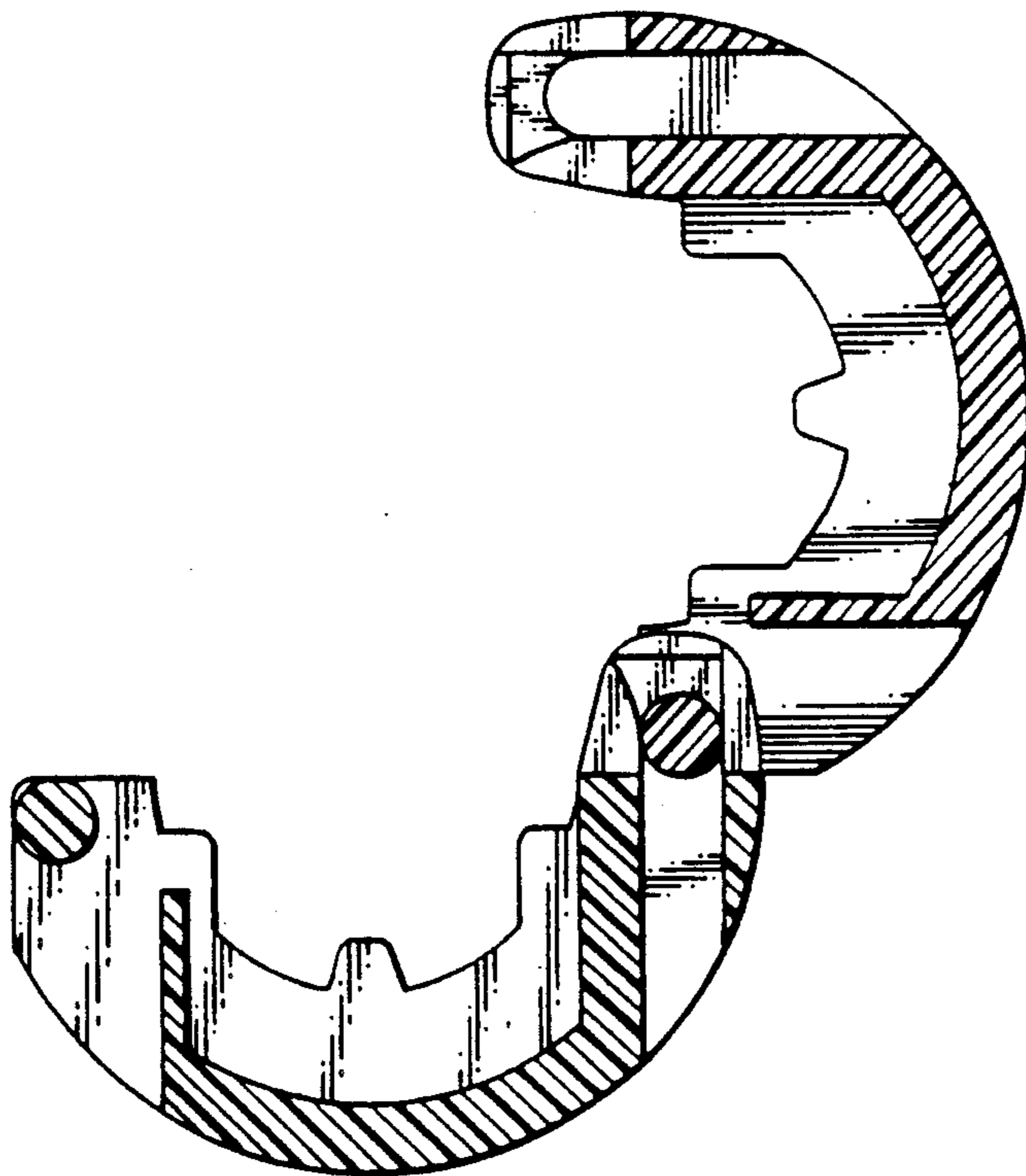


FIG. 6

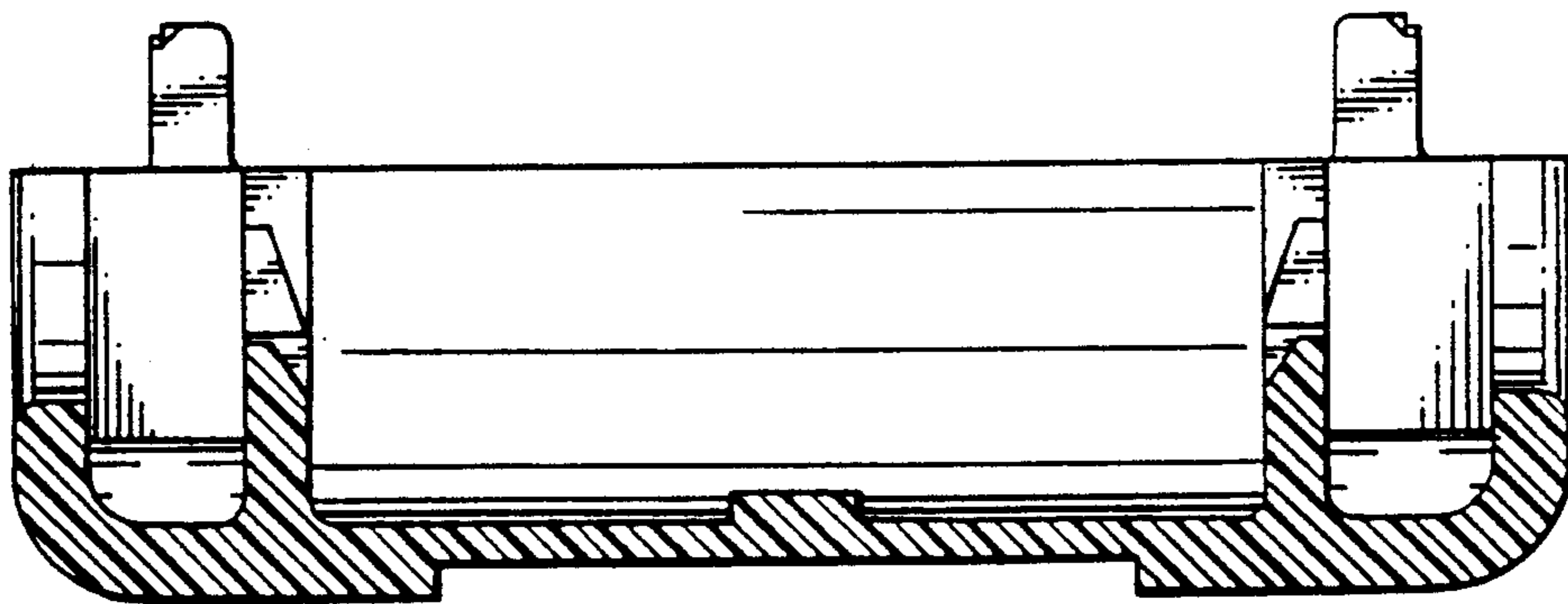


FIG. 7

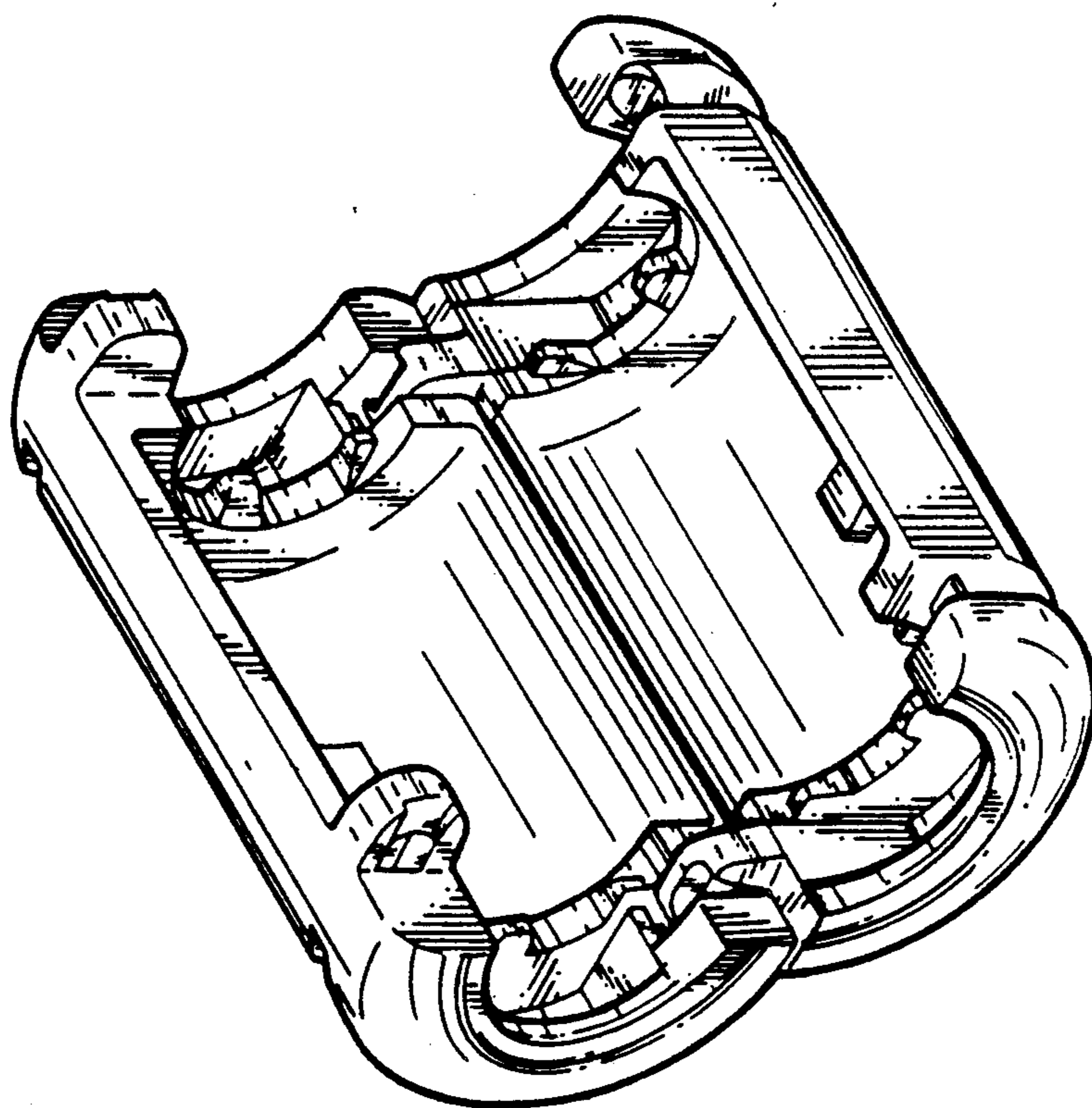


FIG. 8

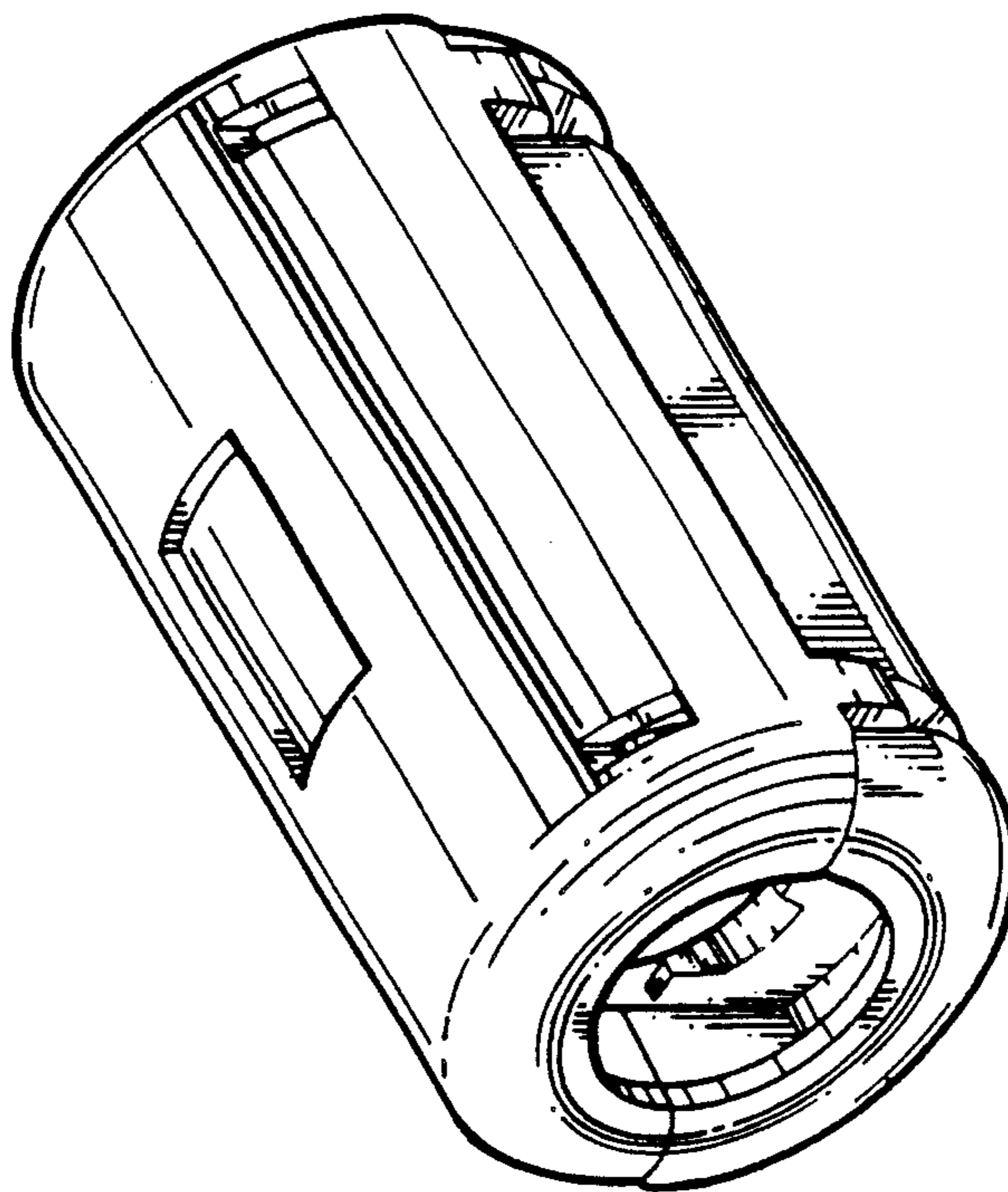


FIG. 9

