

- [54] TEMPORARY UTILITY PEDESTAL
- [76] Inventor: Paul G. Moerman, P.O. Box 3053,  
San Luis Obispo, Calif. 93403
- [\*\*] Term: 14 Years
- [21] Appl. No.: 260,375
- [22] Filed: Oct. 20, 1988
- [52] U.S. Cl. .... D13/152; D13/184
- [58] Field of Search ..... D13/101, 110, 123, 152,  
D13/184; 361/331-334, 346, 356, 364;  
174/37-38, 50, 52.1

4,365,108 12/1982 Bright ..... 174/50  
4,631,353 12/1986 Marks ..... 174/16.1

*Primary Examiner*—Wallace R. Burke  
*Assistant Examiner*—Brian N. Vinson  
*Attorney, Agent, or Firm*—Daniel C. McKown

[57] CLAIM

The ornamental design for a temporary utility pedestal, as shown and described.

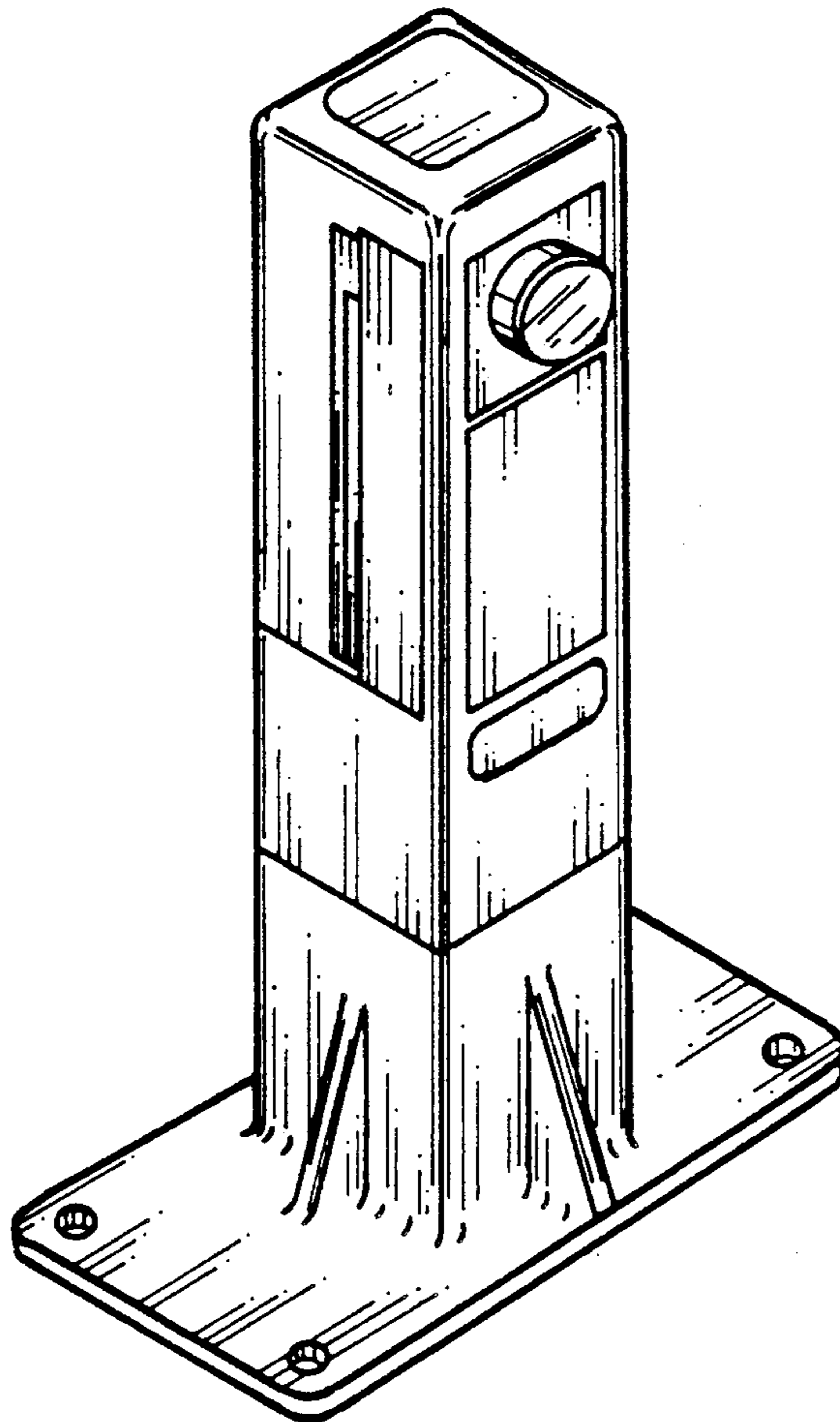
DESCRIPTION

FIG. 1 is a top, front and left side perspective view of a temporary utility pedestal showing my new design, the undisclosed right side being a mirror image of the left, and the bottom being plain and unornamented; FIG. 2 is a rear elevational view thereof; and FIG. 3 is a top plan view thereof. The left side is identical to the right side, and the bottom is unornamented.

[56] References Cited

U.S. PATENT DOCUMENTS

- D. 286,040 10/1986 LaValle ..... D13/152
- 3,033,912 5/1962 Phillips ..... D13/152 X
- 3,872,234 3/1975 Smith ..... 174/50 X
- 4,158,102 6/1979 Bright ..... 174/50 X



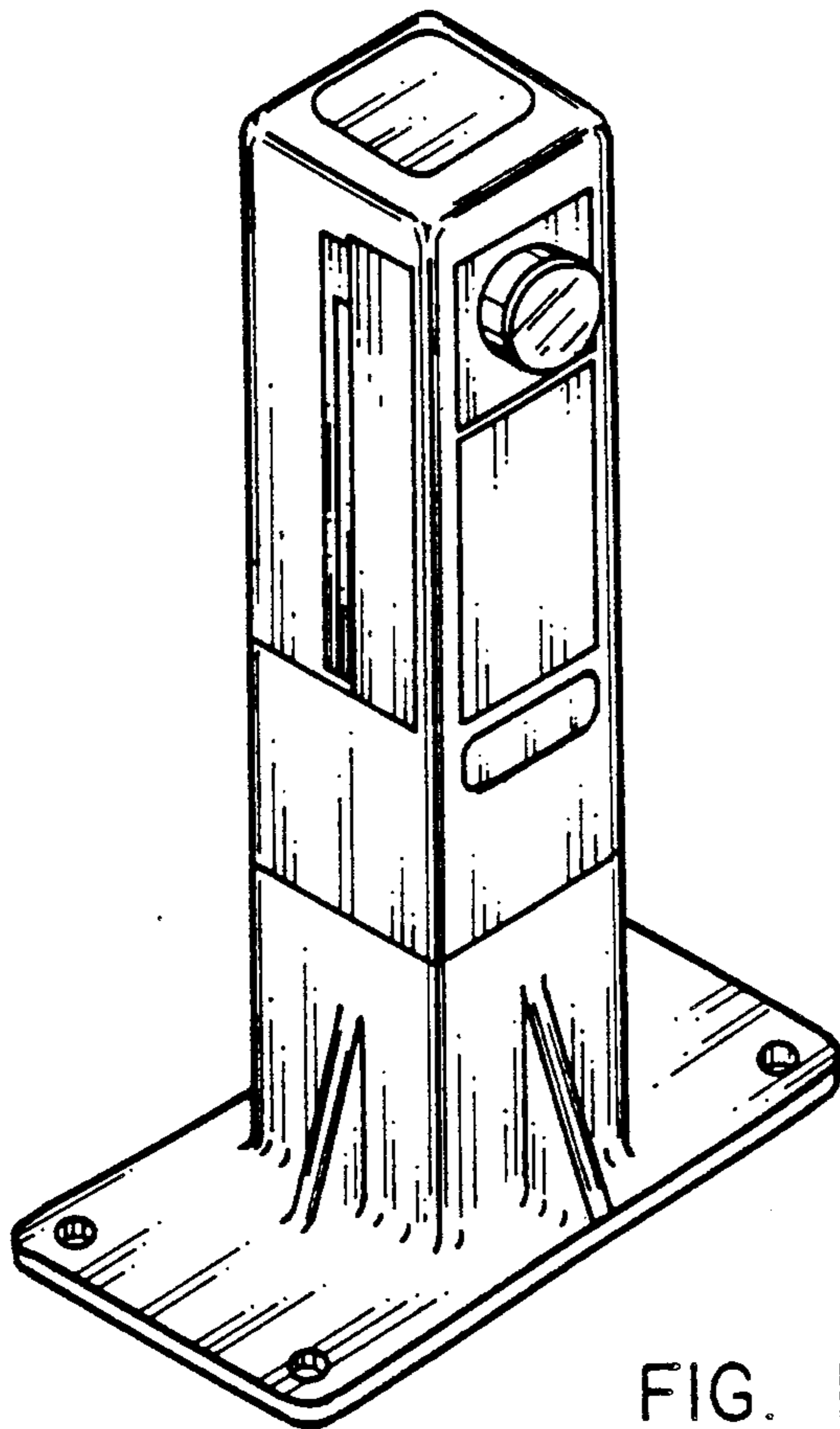


FIG. 1

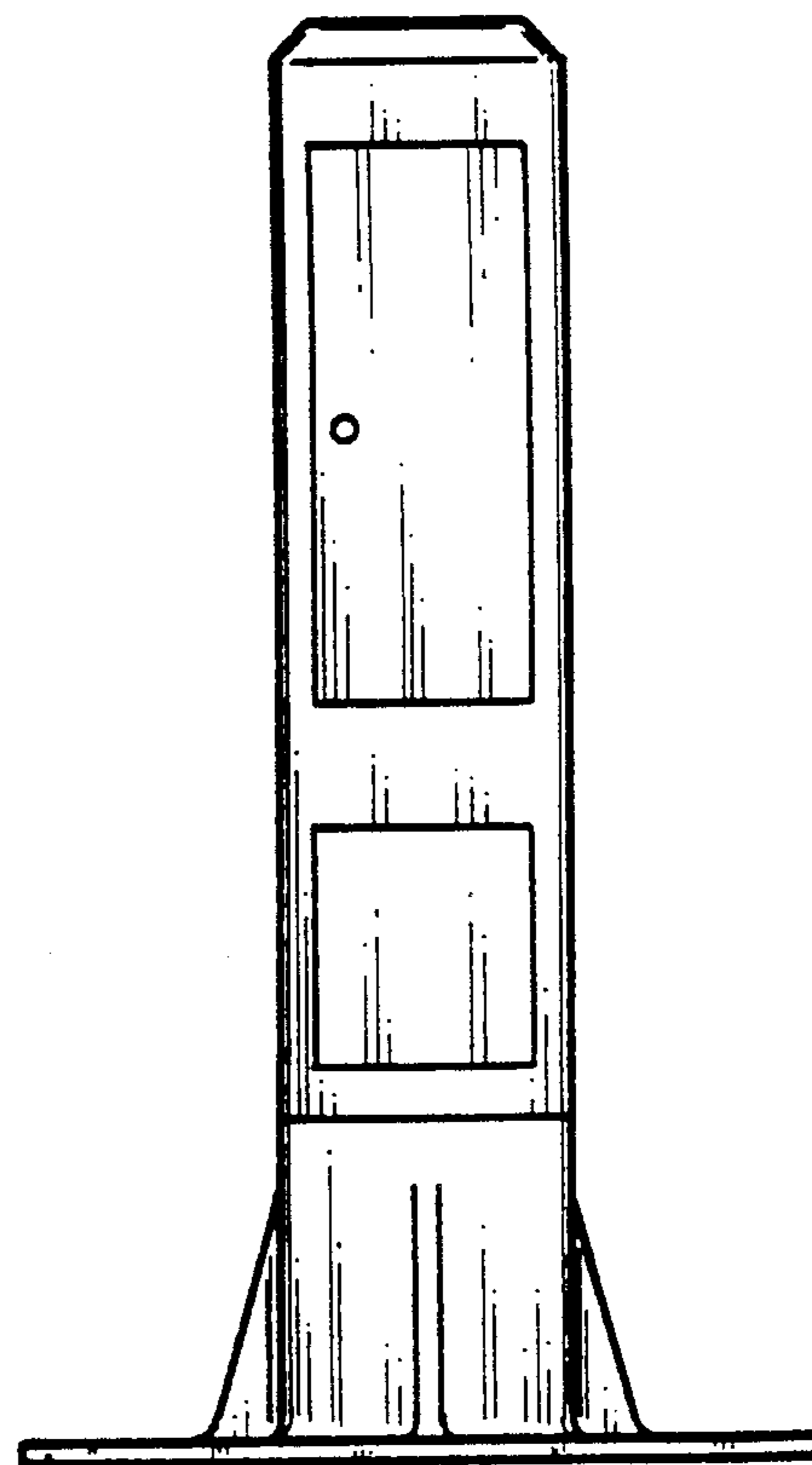


FIG. 2

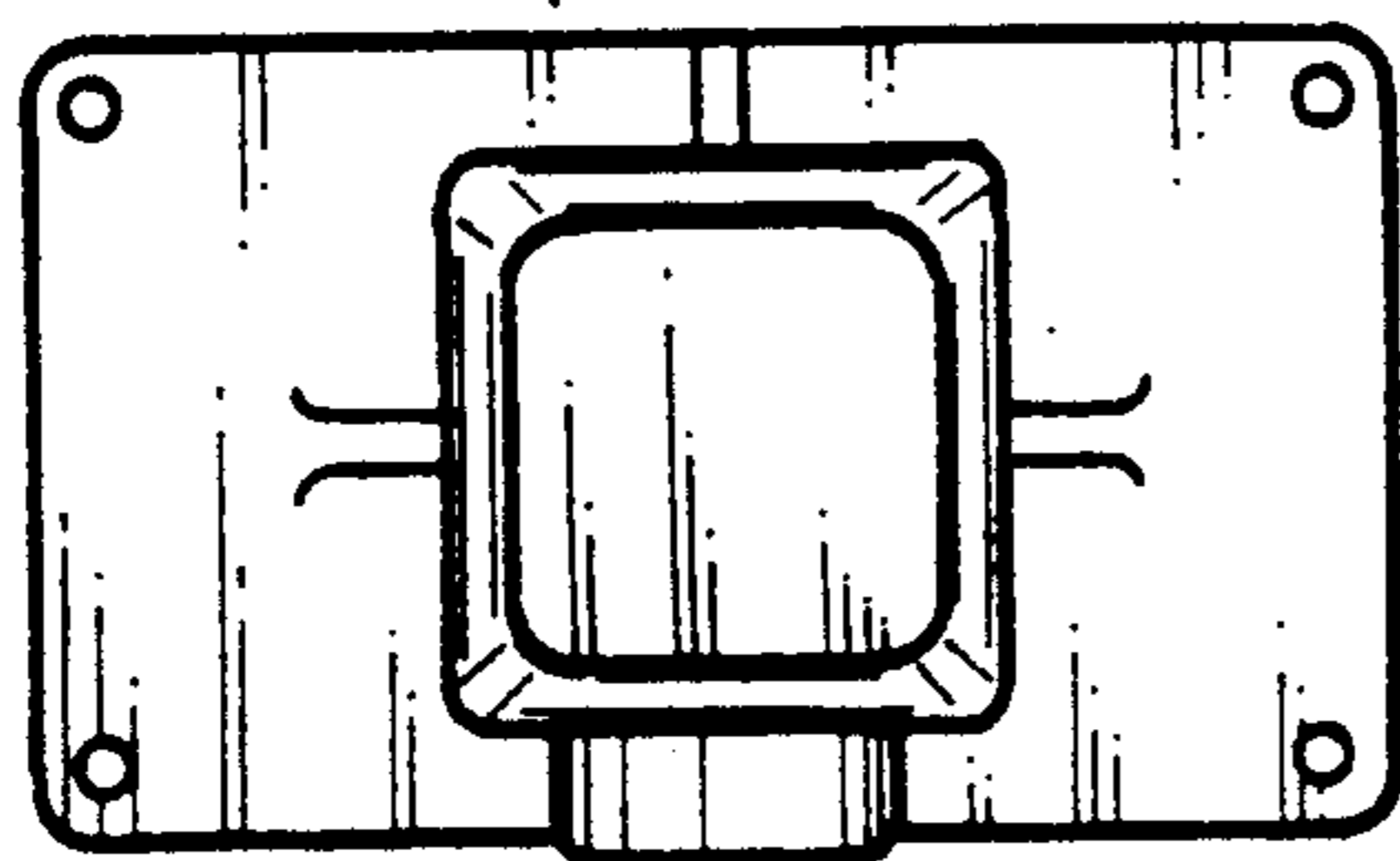


FIG. 3