

[54] HOUSING FOR ELECTRICAL CONNECTOR

[75] Inventors: Toshiro Maejima; Seiji Kozono; Masaru Fukuda, all of Shizuoka, Japan

[73] Assignee: Yazaki Corporation, Japan

[**] Term: 14 Years

[21] Appl. No.: 168,339

[22] Filed: Mar. 15, 1988

[30] Foreign Application Priority Data

Sep. 16, 1987 [JP] Japan 62-37495

[52] U.S. Cl. D13/147

[58] Field of Search D13/24, 30; 439/660, 439/682, 685, 357, 586, 595

[56] References Cited

U.S. PATENT DOCUMENTS

D. 288,554 3/1987 Yokomiza et al. D13/24
3,848,951 11/1974 Michaels et al. 439/357

4,357,066 11/1982 Cairns et al. 439/595 X
4,734,052 3/1988 Vandame 439/595 X
4,758,182 7/1988 Anbo et al. 439/586 X

FOREIGN PATENT DOCUMENTS

0039491 4/1978 Japan 439/357

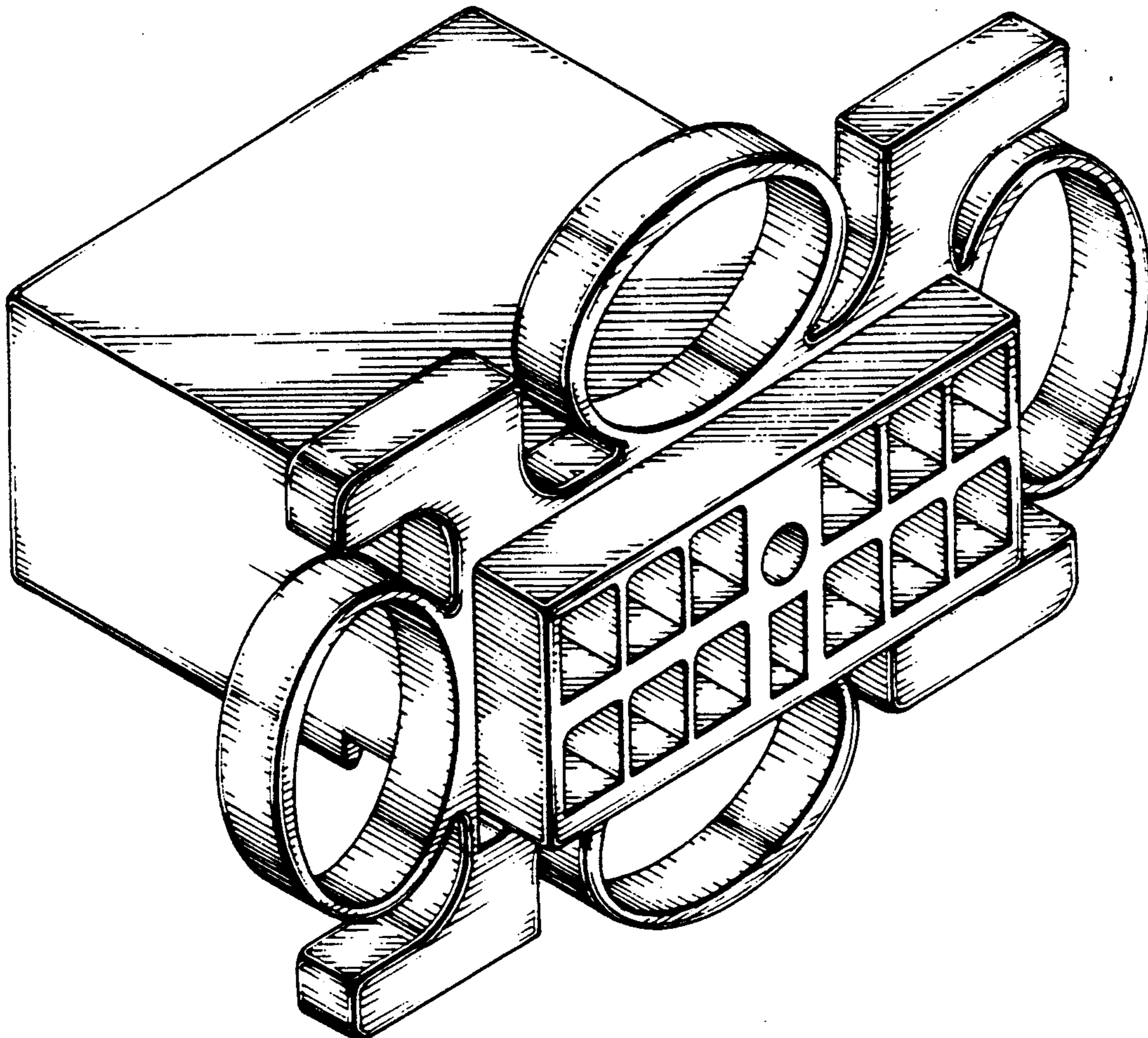
Primary Examiner—Susan J. Lucas
Assistant Examiner—Joel Sincavage
Attorney, Agent, or Firm—Jones, Askew & Lunsford

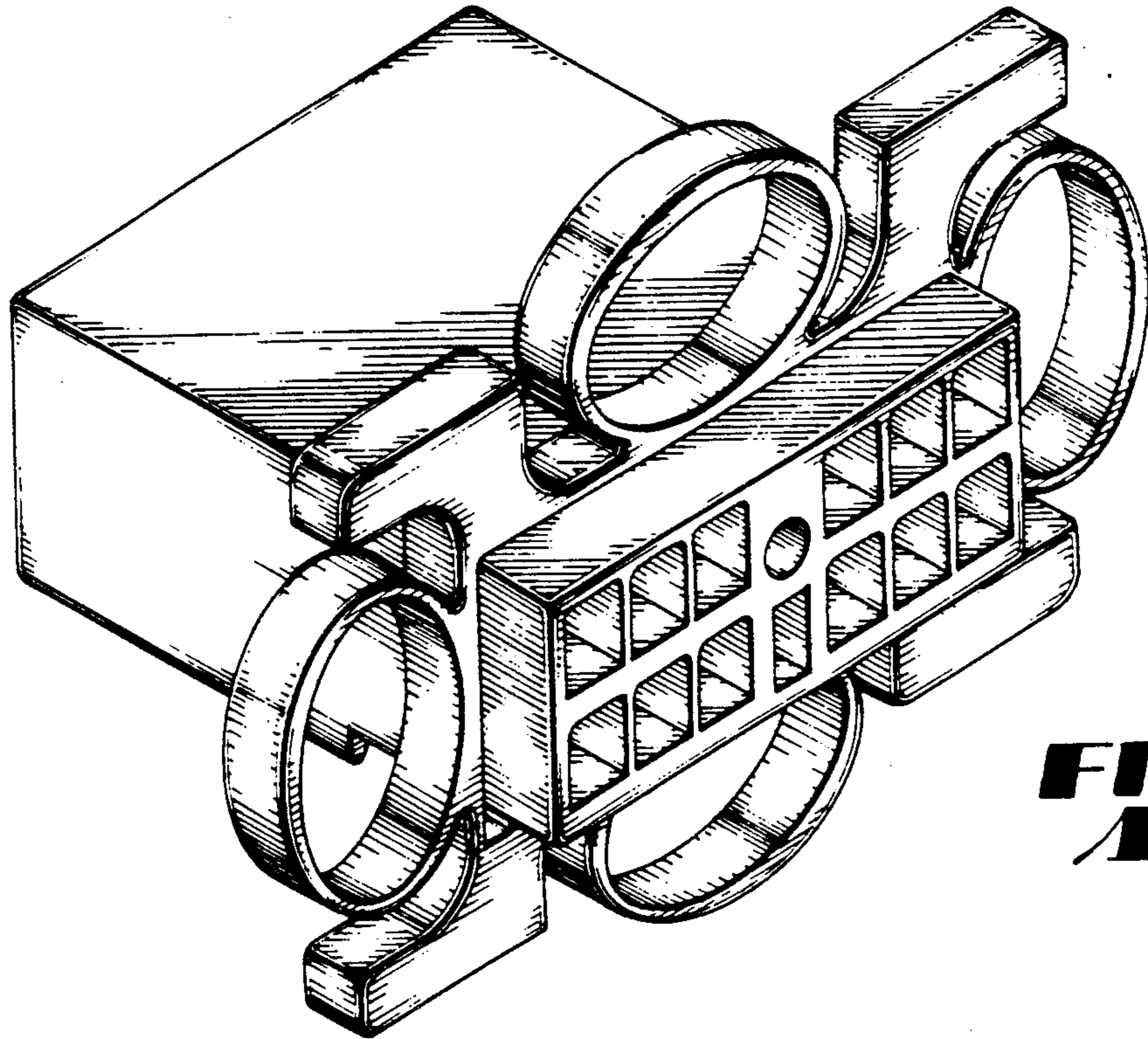
[57] CLAIM

The ornamental design for a housing for electrical connector, as shown and described.

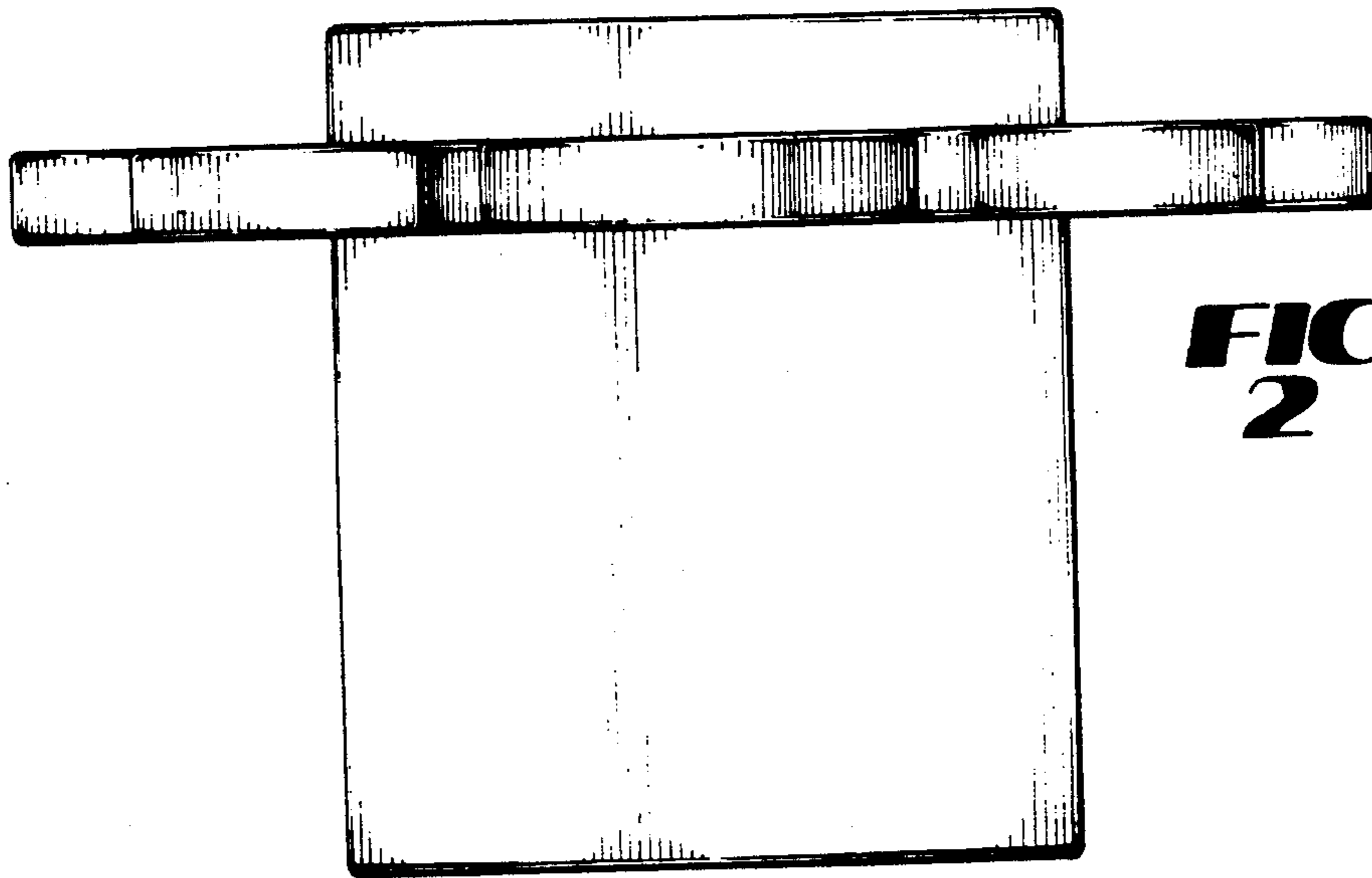
DESCRIPTION

FIG. 1 is a perspective view of a housing for electrical connector showing our new design; FIG. 2 is a top plan view thereof; FIG. 3 is a front elevational view thereof; FIG. 4 is a bottom plan view thereof; FIG. 5 is a right side elevational view thereof, the left side elevational view being a mirror image; and FIG. 6 is a rear elevational view thereof.





**FIG
1**



**FIG
2**

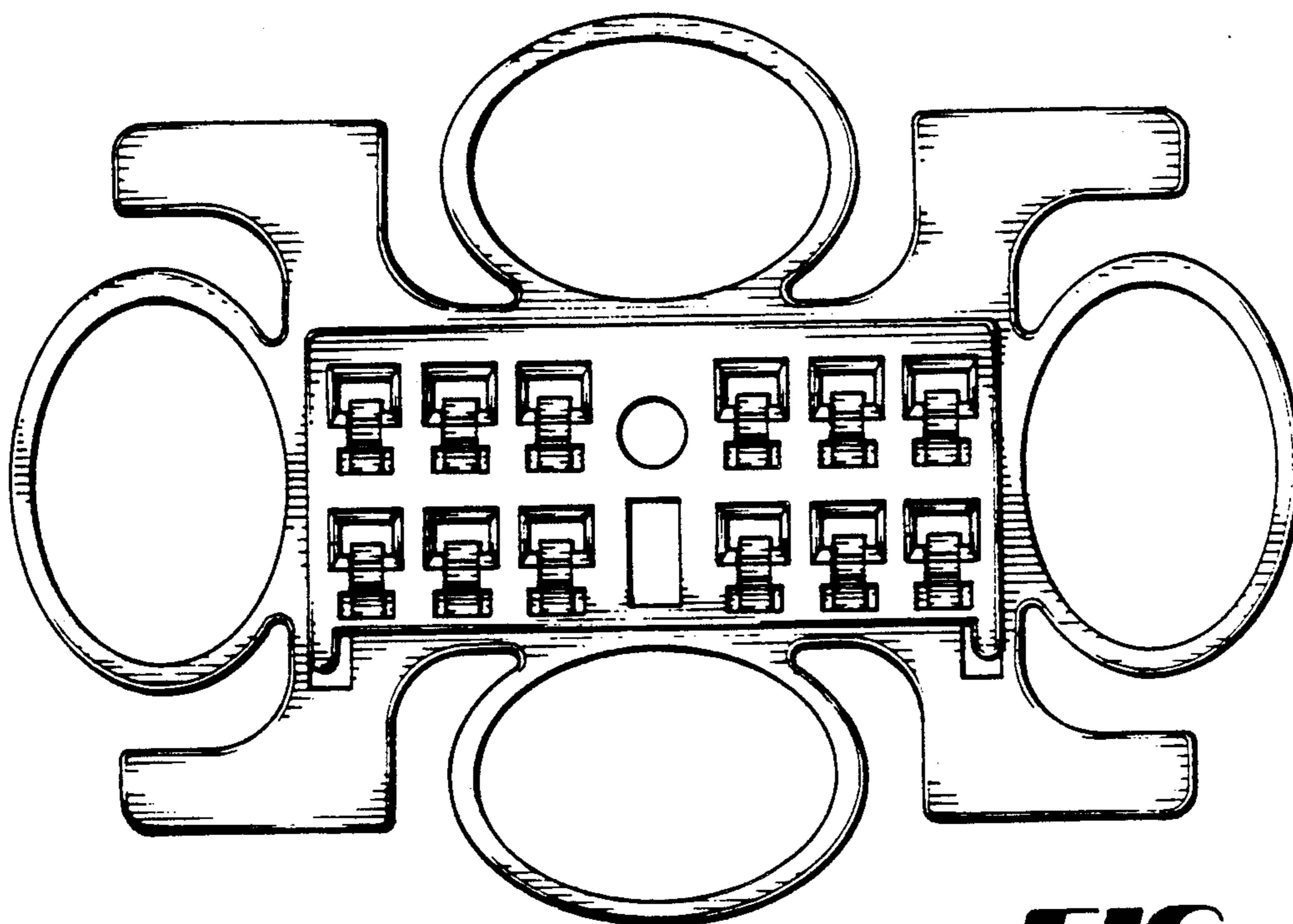


FIG
3

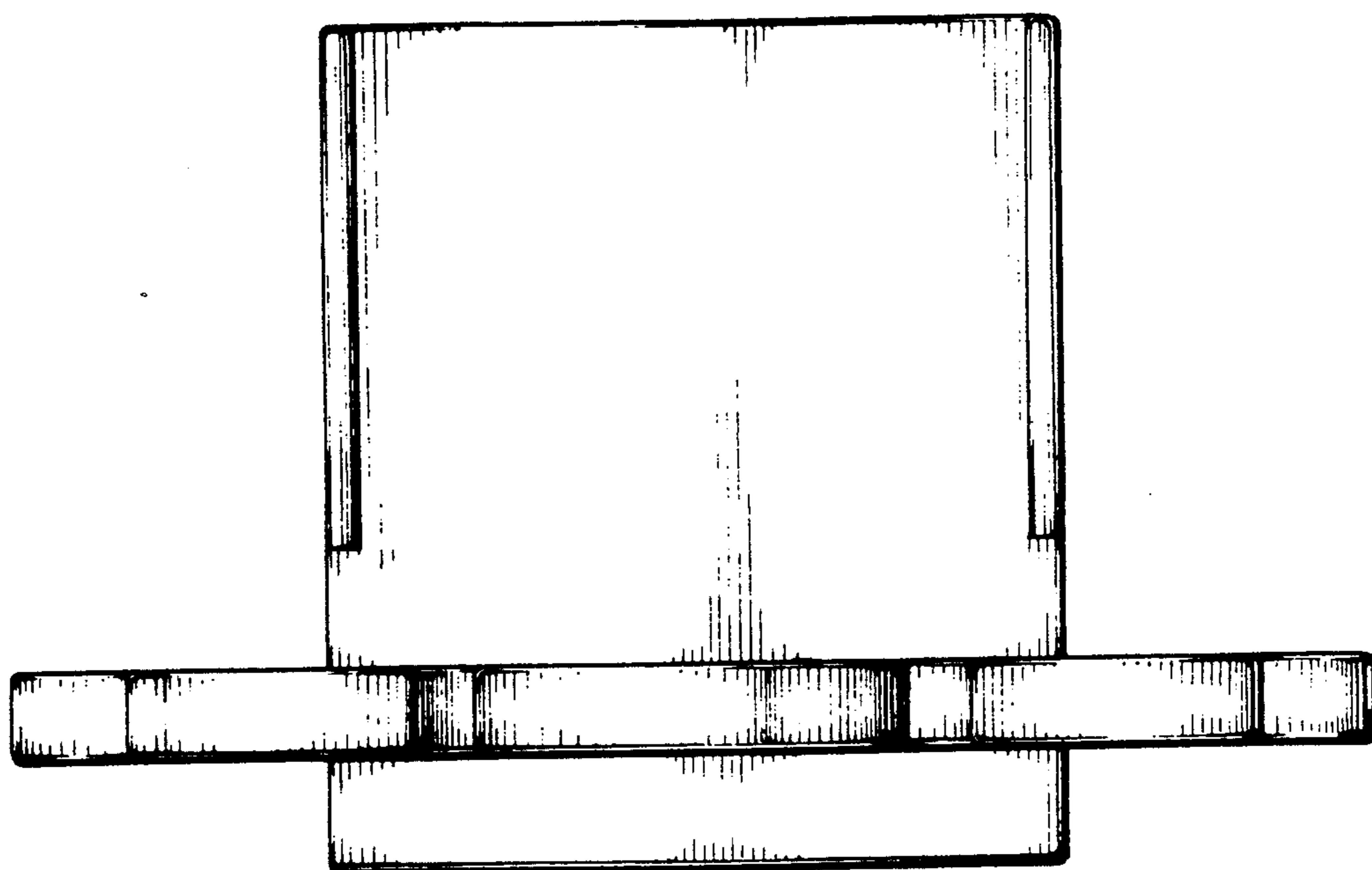
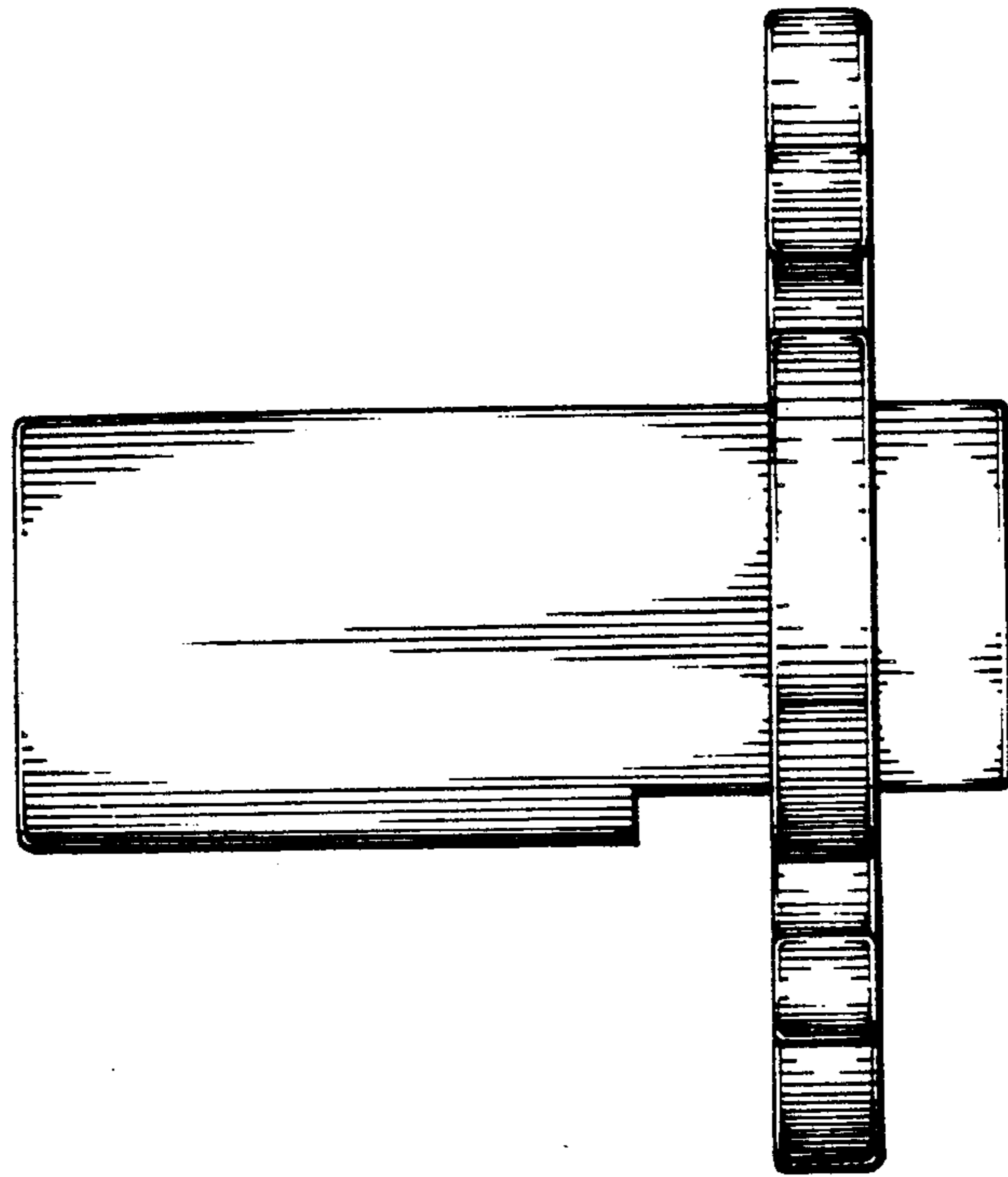
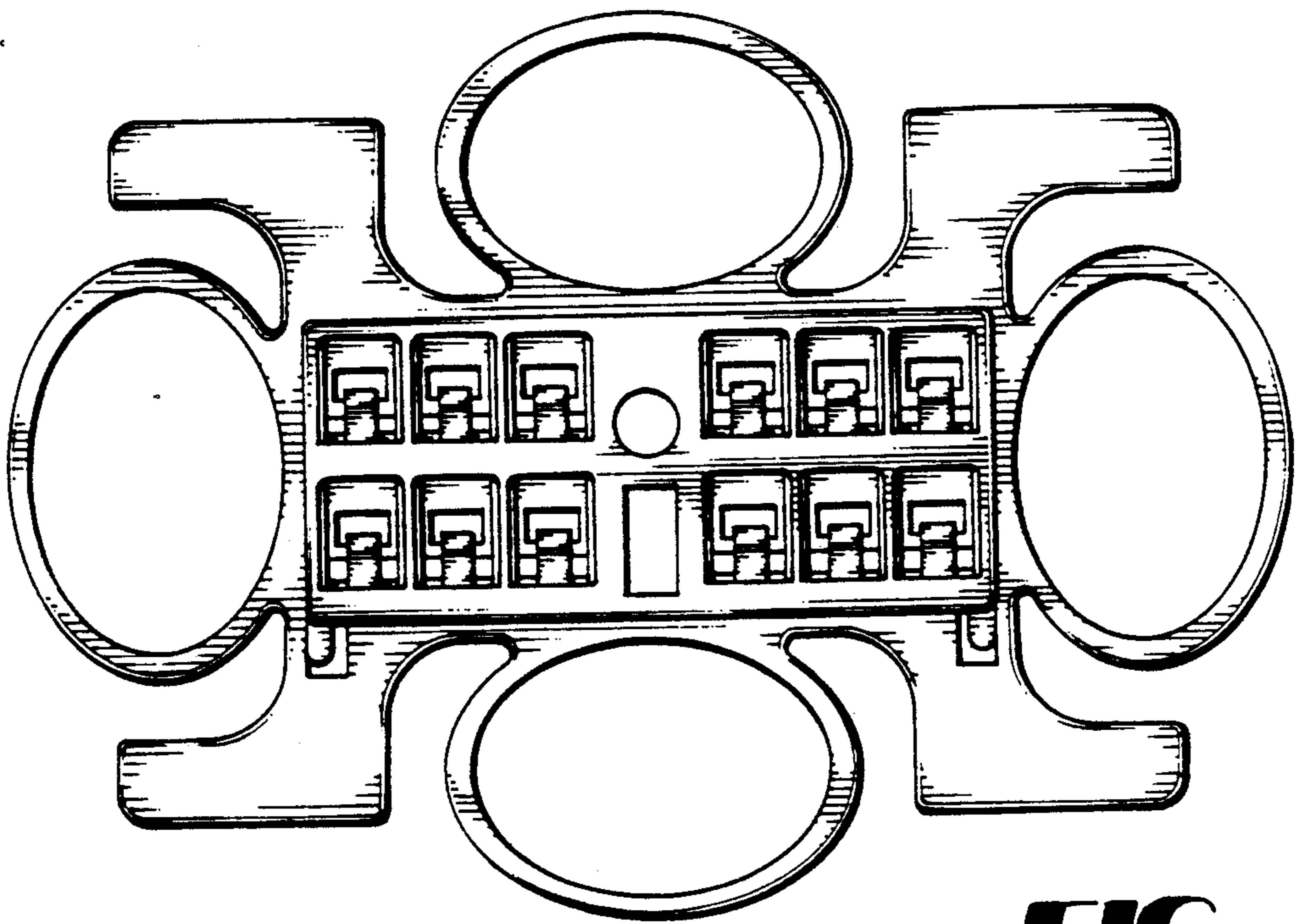


FIG
4



**FIG
5**



**FIG
6**